

US00D493778S1

(12) **United States Design Patent** (10) **Patent No.:** **US D493,778 S**
Walliser et al. (45) **Date of Patent:** **** Aug. 3, 2004**

(54) **HOUSING FOR A COMMUNICATION DEVICE**

(75) Inventors: **Marc Walliser**, Milan (IT); **Colin T. Anderson**, Lesmo Mi (IT); **Vitor Alexandre Medeiros De Santa Maria**, Milan (IT)

(73) Assignee: **Motorola, Inc.**, Schaumburg, IL (US)

(**) Term: **14 Years**

(21) Appl. No.: **29/188,111**

(22) Filed: **Aug. 13, 2003**

(51) **LOC (7) Cl.** **14-03**

(52) **U.S. Cl.** **D14/138**

(58) **Field of Search** D14/137, 138, D14/218, 147-148, 247-248, 144, 341-347; 379/433.01-433.13, 419, 434, 428.01-428.04, 420.01-420.04, 440; 455/550.1, 90.3; D21/517; D13/168; D18/2, 7; 345/168, 169

(56) **References Cited**

U.S. PATENT DOCUMENTS

D377,934 S	*	2/1997	Vondrak et al.	D14/138
D408,397 S	*	4/1999	Renard	D14/138
6,014,552 A	*	1/2000	Aiken et al.	455/575.1
D420,351 S	*	2/2000	Waldner	D14/138
D434,016 S	*	11/2000	Hunt	D14/138
D456,794 S	*	5/2002	Laverick et al.	D14/138
D459,327 S	*	6/2002	Ali	D14/138
D464,645 S	*	10/2002	O'Neil	D14/248
D465,774 S	*	11/2002	Nuovo	D14/138
D467,918 S	*	12/2002	Fitch et al.	D14/347
D468,714 S	*	1/2003	Maruska et al.	D14/138
D470,467 S	*	2/2003	Maruska et al.	D14/138
D475,033 S	*	5/2003	Lehtonen	D14/138

D478,324 S	*	8/2003	O'Neil	D14/138
D478,882 S	*	8/2003	Peng et al.	D14/138
D479,216 S	*	9/2003	Ho-Cheun et al.	D14/138
D479,514 S	*	9/2003	Chan	D14/138
D485,247 S	*	1/2004	Wang et al.	D14/138
D485,815 S	*	1/2004	Edoff	D14/138
D486,458 S	*	2/2004	Chen et al.	D14/138
D487,068 S	*	2/2004	Isaacs et al.	D14/138
D487,069 S	*	2/2004	Thaler et al.	D14/138

FOREIGN PATENT DOCUMENTS

JP	D1155155	*	10/2002	14/3
WO	DM/059367	*	3/2002	14/3
WO	DM/060792	*	6/2002	14/3

* cited by examiner

Primary Examiner—Jeffrey Asch

(74) *Attorney, Agent, or Firm*—Randall S. Vaas

(57) **CLAIM**

The ornamental design for a housing for a communication device, as shown and described.

DESCRIPTION

FIG. 1 is a perspective view of an ornamental design of one embodiment of a housing for a communication device showing our new design.

FIG. 2 is a rear orthographic view thereof.

FIG. 3 is a front orthographic view thereof.

FIG. 4 is a left side orthographic view thereof.

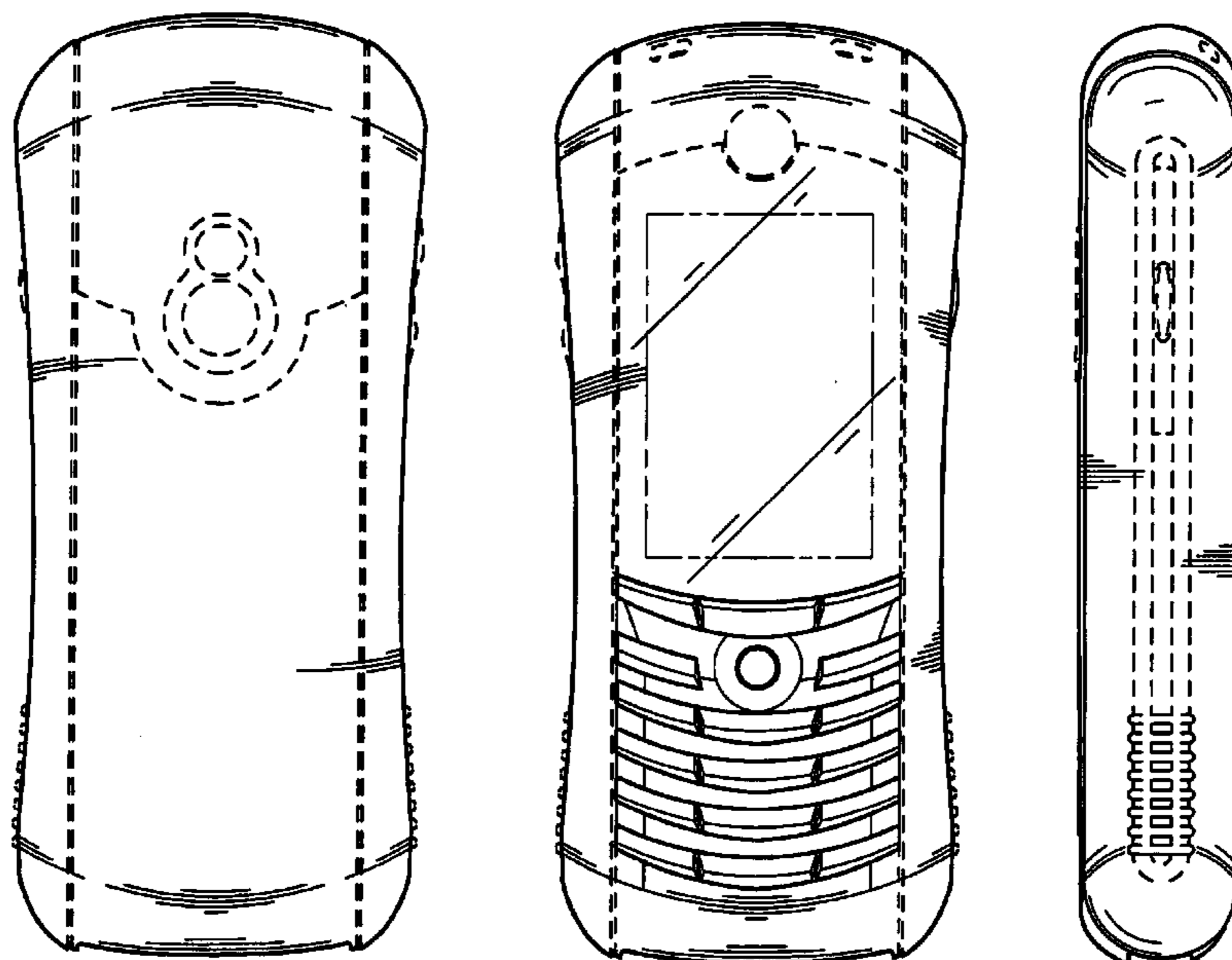
FIG. 5 is a right side orthographic view thereof.

FIG. 6 is a top orthographic view thereof; and,

FIG. 7 is a bottom orthographic view thereof.

The broken lines are included for the purpose of illustrating environmental elements only and form no part of the claimed design.

1 Claim, 2 Drawing Sheets



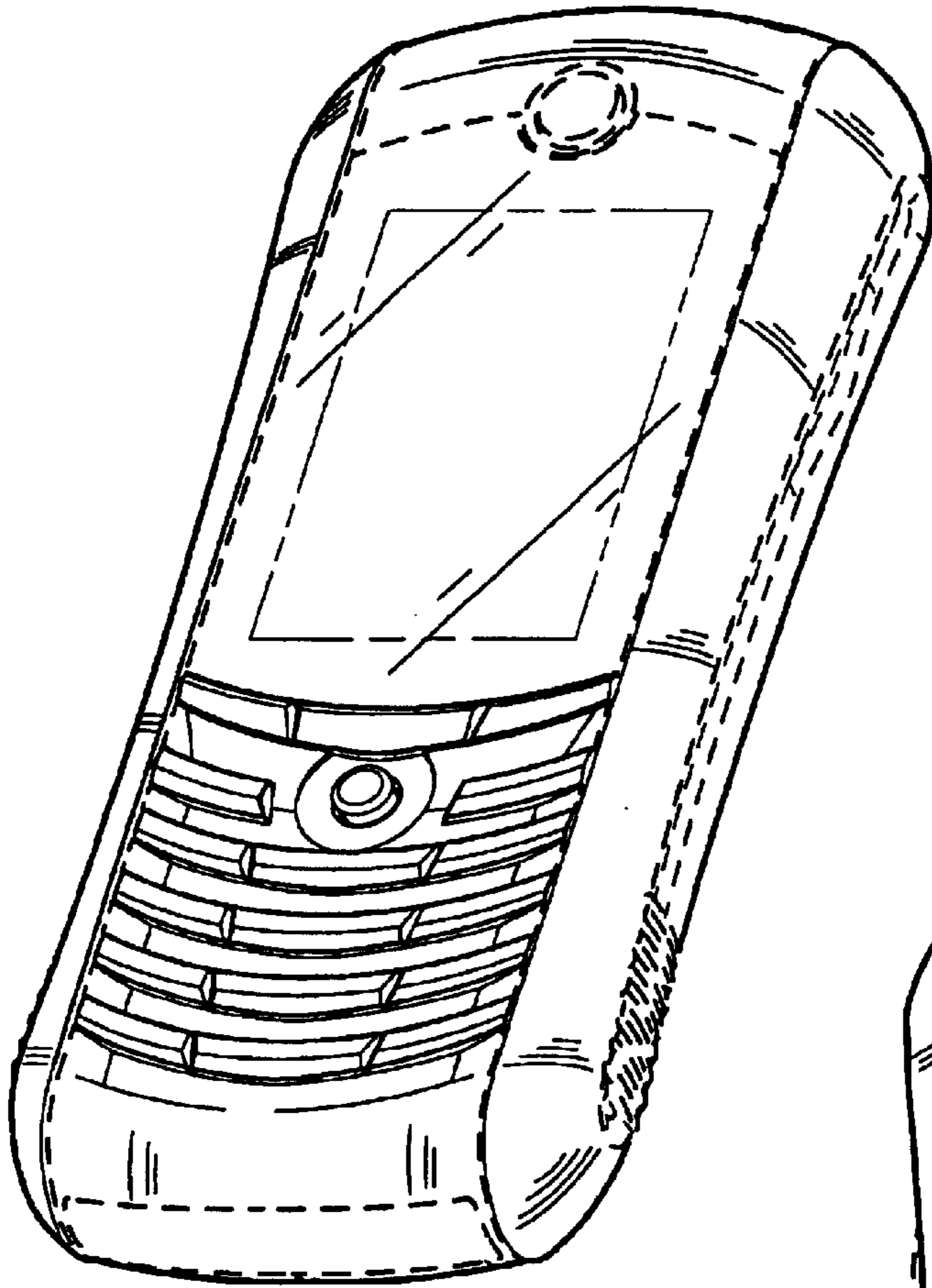


FIG. 1

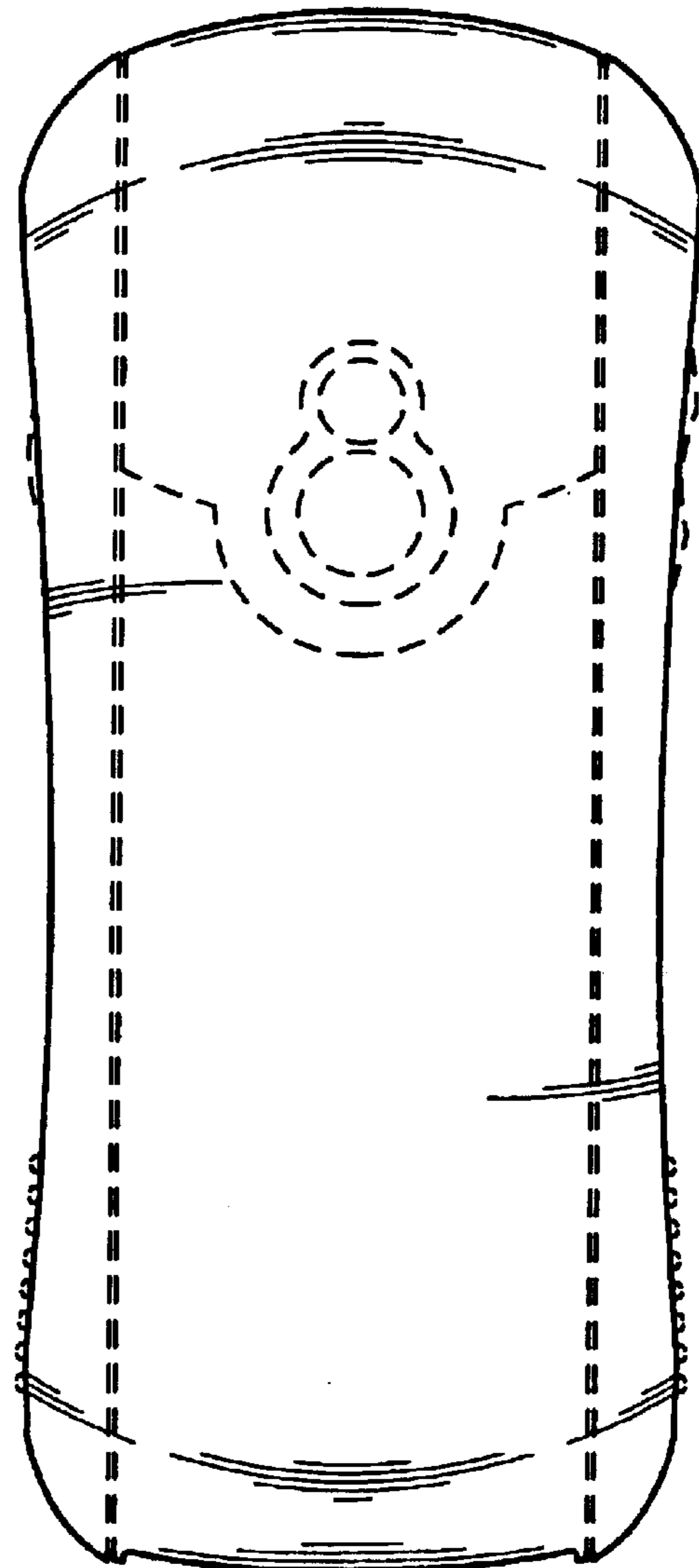


FIG. 2

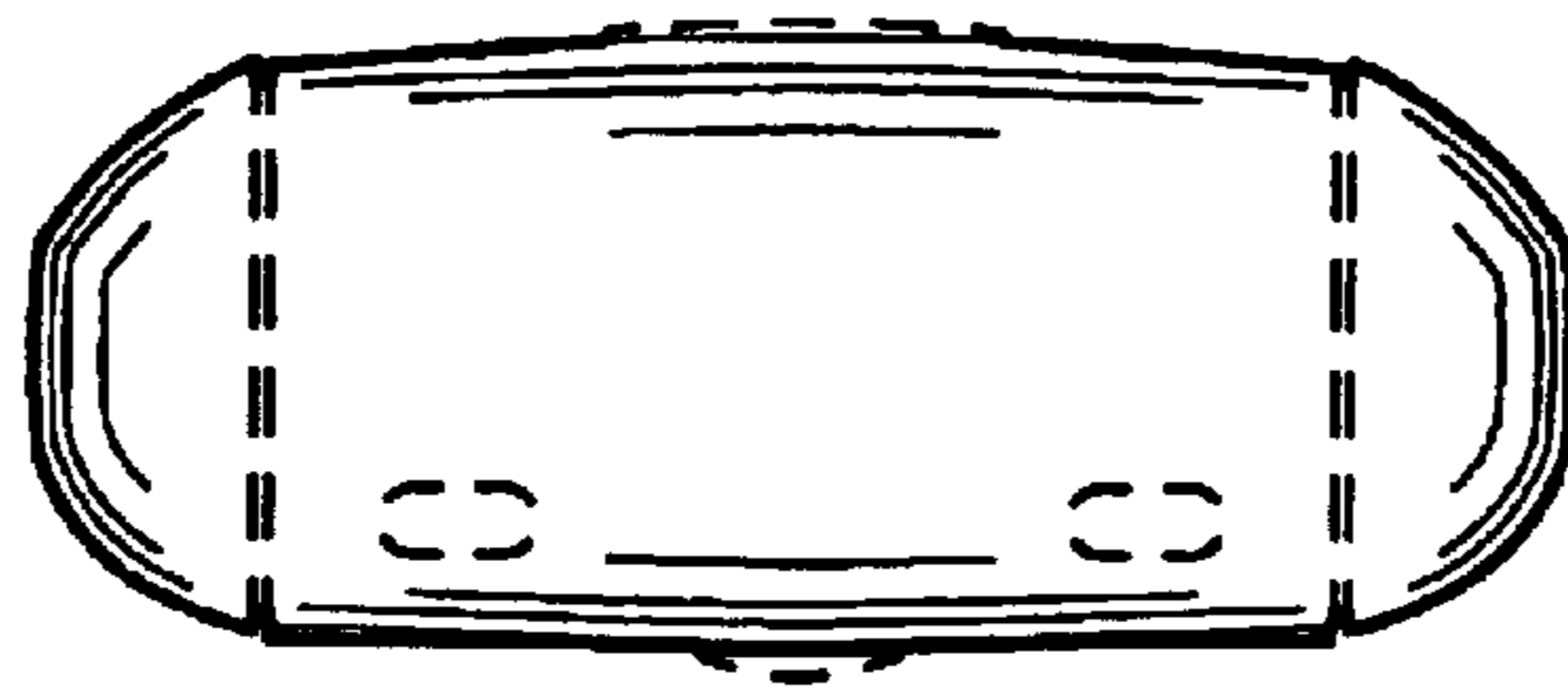


FIG. 6

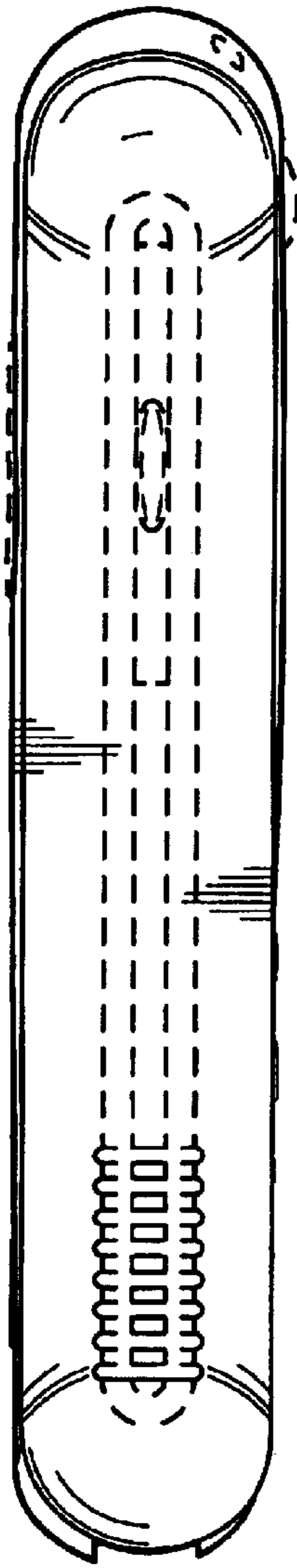


FIG. 4

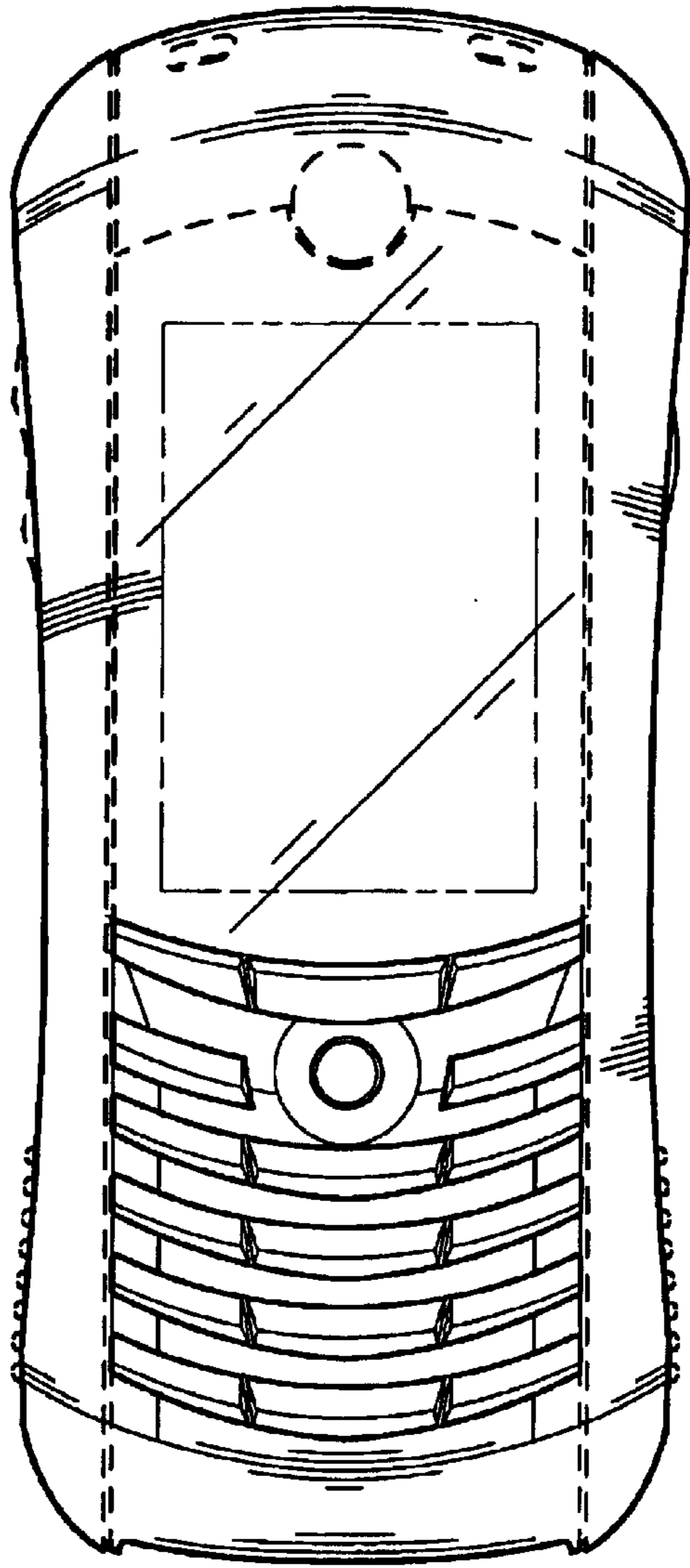


FIG. 3

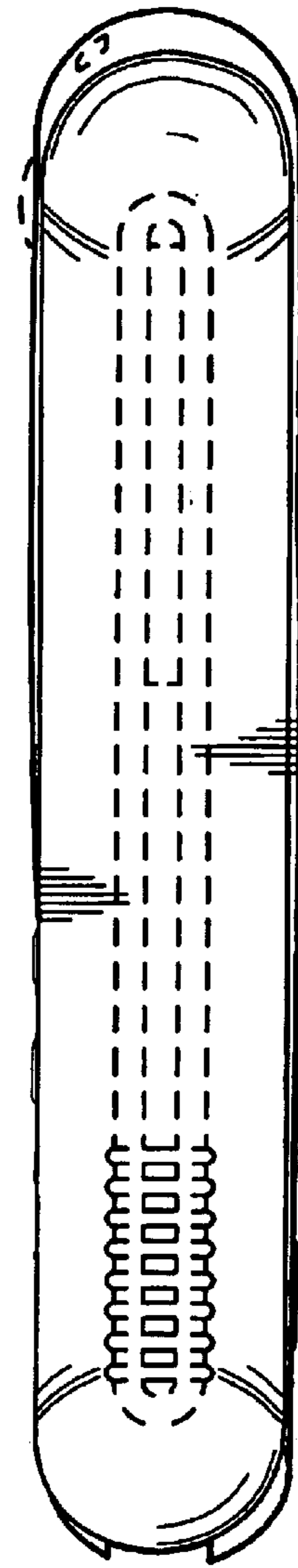


FIG. 5

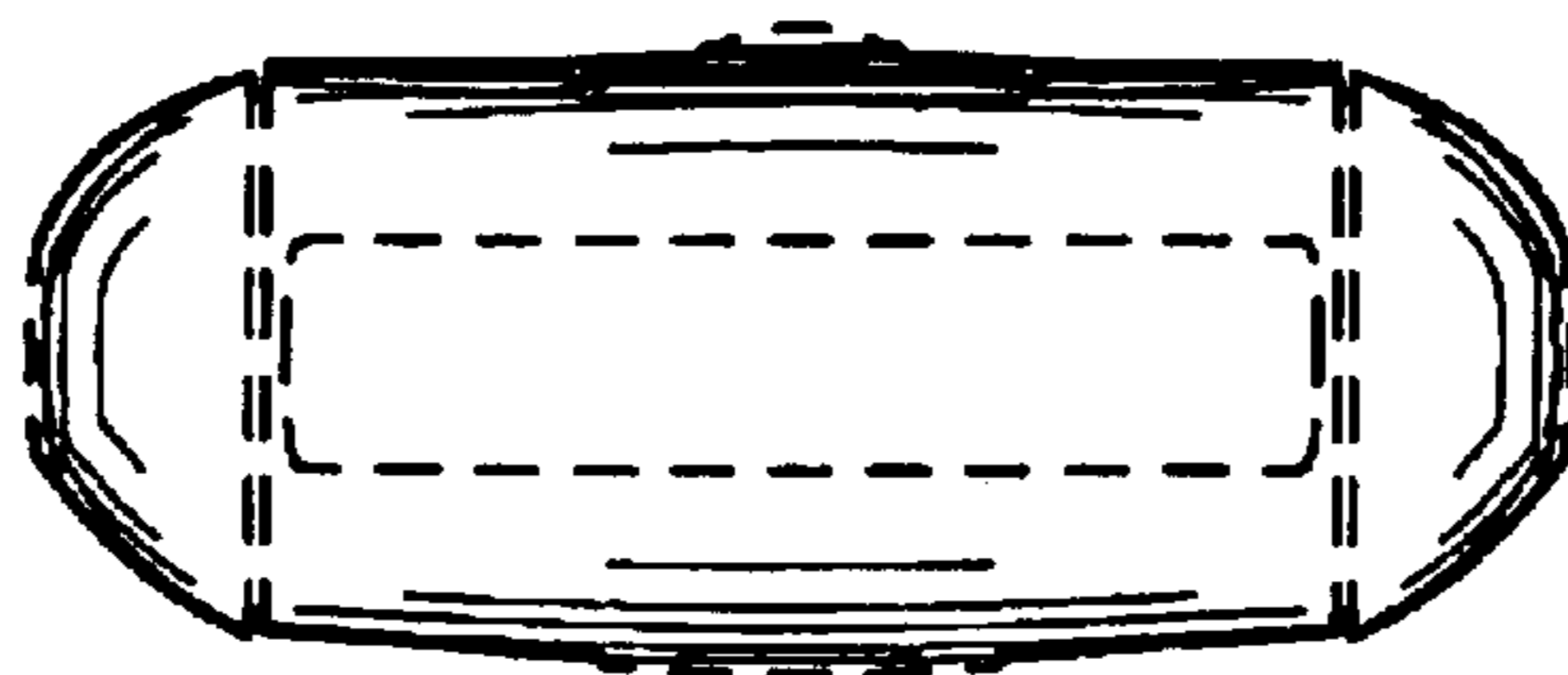


FIG. 7