



US00D493774S1

(12) **United States Design Patent** (10) **Patent No.:** **US D493,774 S**  
**Kozu et al.** (45) **Date of Patent:** **\*\* Aug. 3, 2004**

(54) FUSE	JP	02-100221	4/1990
	JP	04-73835	3/1992
(75) Inventors: <b>Katsumi Kozu</b> , Hyogo (JP); <b>Takeshi Ishimaru</b> , Osaka (JP); <b>Masatoshi Izaki</b> , Miyazaki (JP); <b>Kenji Senda</b> , Fukui (JP)	JP	04-129123	4/1992
	JP	D1039766	5/1999
	JP	D1039766/1	5/1999
	JP	D1039766/2	5/1999
	JP	D1039766/3	5/1999
	JP	D1041782	6/1999
(73) Assignee: <b>Matsushita Electric Industrial Co., Ltd.</b> , Osaka (JP)	JP	D1057596	1/2000
	JP	D1058484	1/2000
(**) Term: <b>14 Years</b>	JP	D1058485	1/2000
	JP	D1058484/1	3/2000
(21) Appl. No.: <b>29/171,781</b>	JP	D1058484/2	3/2000
(22) Filed: <b>Nov. 27, 2002</b>	JP	D1058485/1	3/2000
(30) <b>Foreign Application Priority Data</b>	JP	D1058485/2	3/2000
	JP	D1097986	1/2001
	JP	D1129089	12/2001
	JP	D1129574	12/2001

\* cited by examiner

May 30, 2002 (JP) ..... 2002-014502

(51) **LOC (7) Cl.** ..... **13-03**

(52) **U.S. Cl.** ..... **D13/161**

(58) **Field of Search** ..... D13/160, 161, D13/178; 200/275; 307/10.1, 10.8; 337/186, 198, 227, 228, 231, 234, 241; 439/607, 621

*Primary Examiner*—Ted Shooman  
*Assistant Examiner*—Selina Sikder  
(74) *Attorney, Agent, or Firm*—Brinks Hofer Gilson & Lione

(56) **References Cited**

(57) **CLAIM**

The ornamental design for a fuse, as shown and described.

**U.S. PATENT DOCUMENTS**

**DESCRIPTION**

3,829,808 A \* 8/1974 Blewitt et al. .... 337/186

4,494,104 A 1/1985 Holmes

5,097,247 A 3/1992 Doerrwaechter

D325,193 S \* 4/1992 Kudo ..... D13/161

5,426,411 A \* 6/1995 Pimpis et al. .... 337/186

5,905,426 A \* 5/1999 Douglass ..... 337/229

5,939,969 A 8/1999 Doerrwaechter et al.

D419,532 S \* 1/2000 Hibayashi ..... D13/161

6,067,004 A \* 5/2000 Hibayashi et al. .... 337/227

6,248,965 B1 \* 6/2001 Thomas ..... 200/240

6,373,370 B1 \* 4/2002 Darr et al. .... 337/243

6,373,371 B1 4/2002 Doerrwaechter et al.

6,448,882 B1 \* 9/2002 Inaba et al. .... 337/227

FIG. 1 is a front perspective view of a fuse of the present invention in which the broken line portion of the fuse in this and the following figures is for illustrative purposes only and forms no part of the claimed design;

FIG. 2 is a top view thereof;

FIG. 3 is a first side view thereof;

FIG. 4 is a bottom view thereof;

FIG. 5 is a second side view thereof;

FIG. 6 is a first end view thereof; and,

FIG. 7 is a second end view thereof.

**FOREIGN PATENT DOCUMENTS**

GB 2205455 12/1988

**1 Claim, 2 Drawing Sheets**

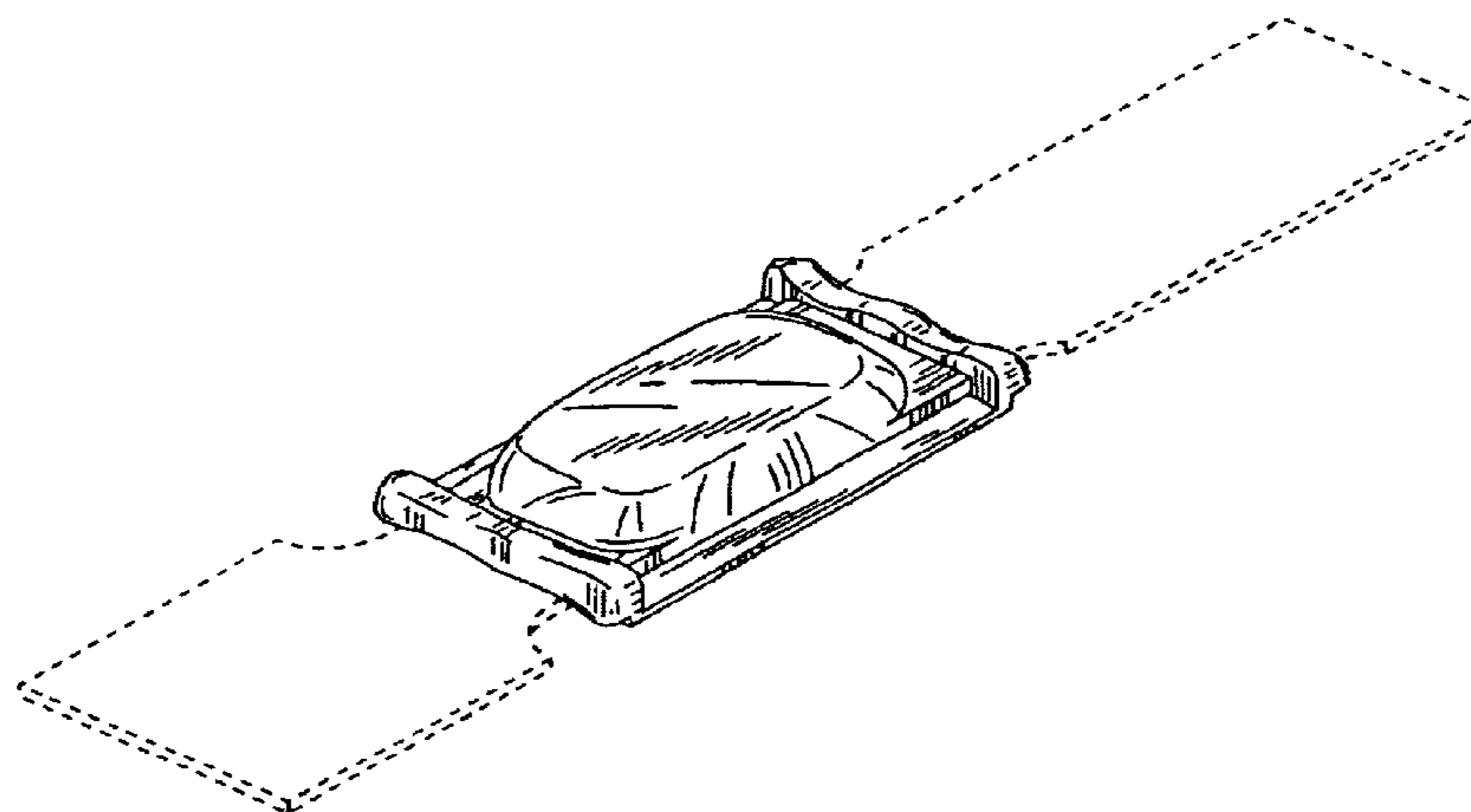


FIG 1

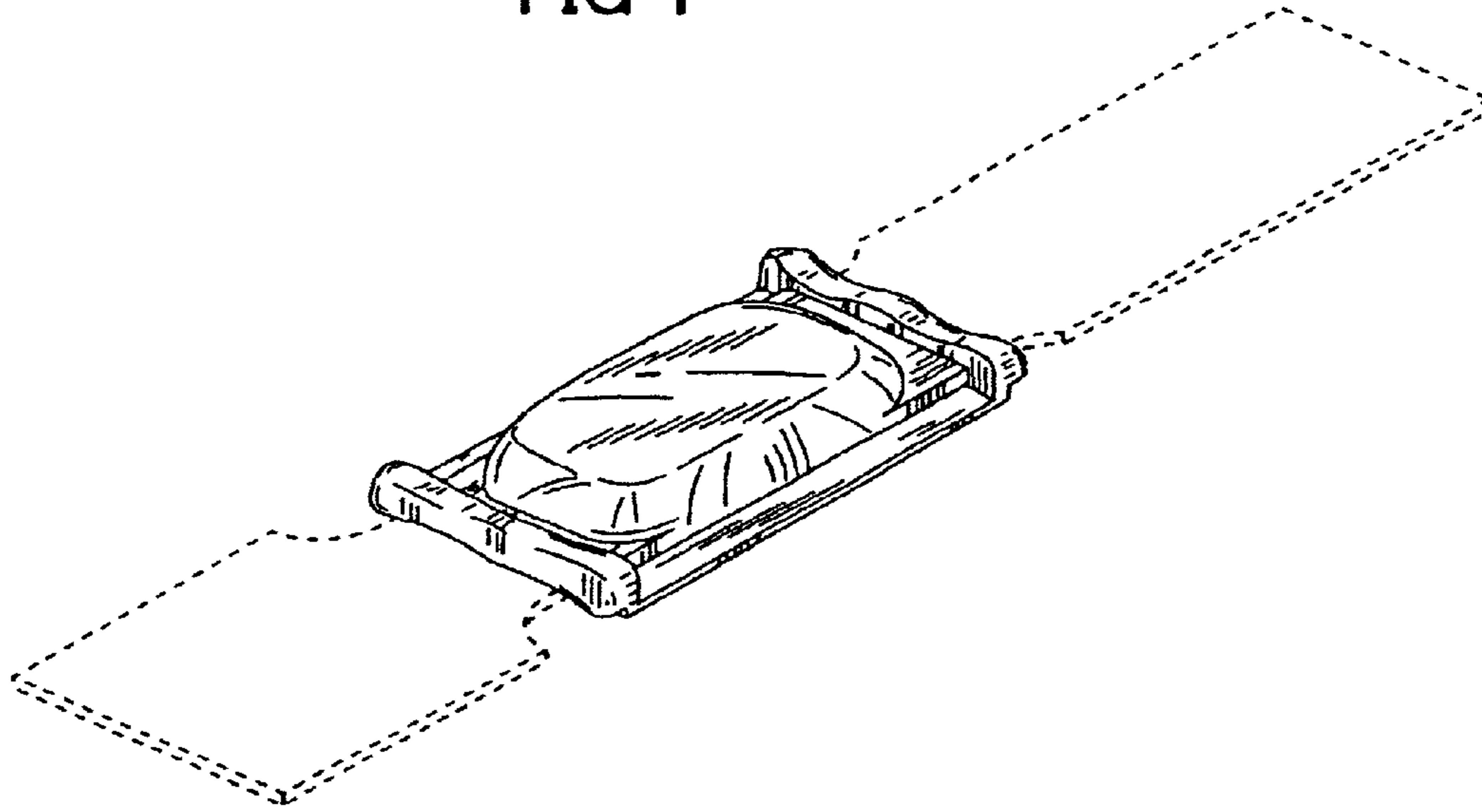


FIG 2

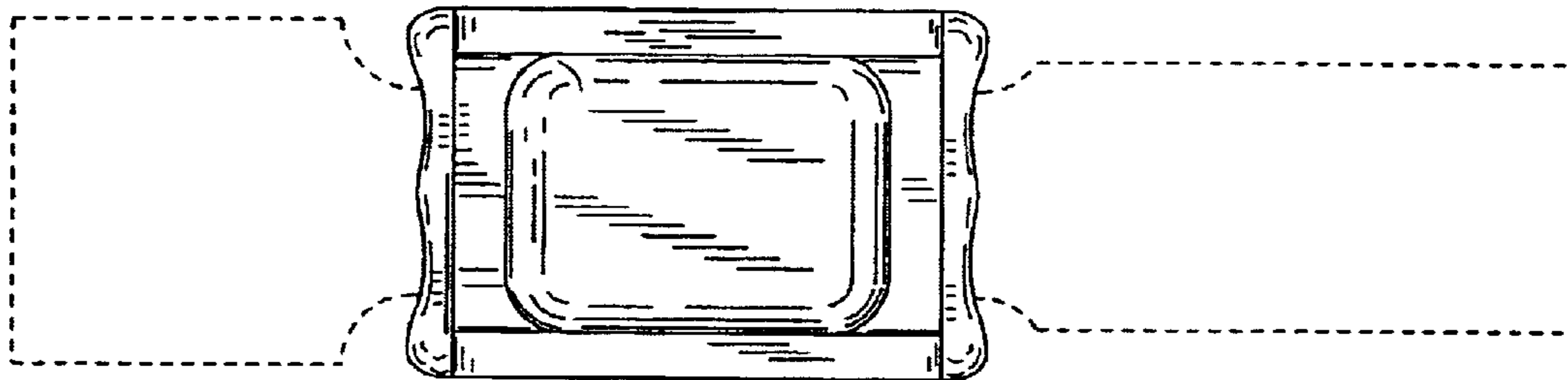


FIG 3



FIG 4

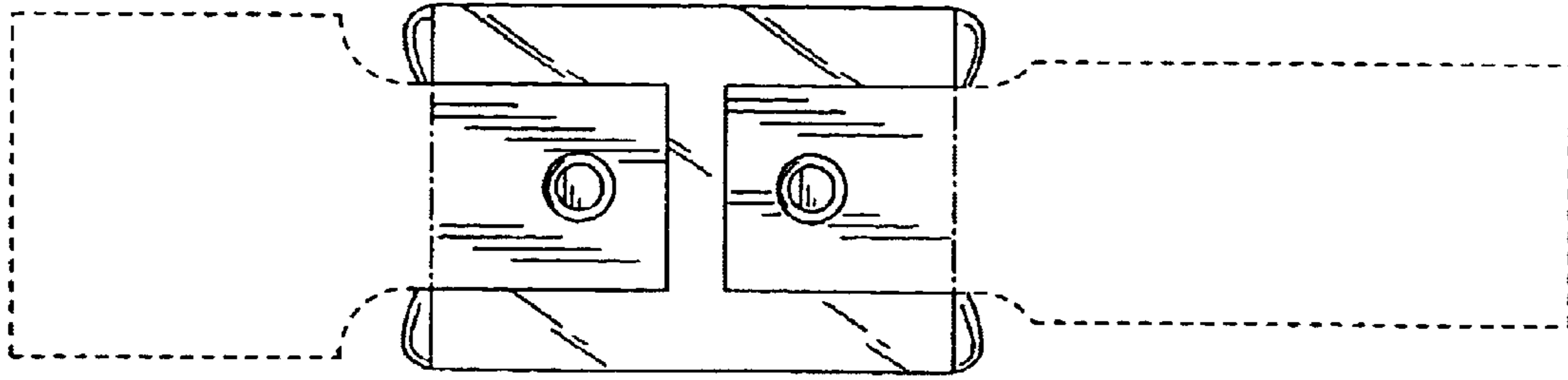


FIG 5



FIG 6



FIG 7

