

US00D493772S1

(12) **United States Design Patent** (10) **Patent No.:** **US D493,772 S**
Veino et al. (45) **Date of Patent:** **** Aug. 3, 2004**

(54) **POWERSHIELD**

(75) Inventors: **Clint Veino**, Londonderry, NH (US);
William Owens, Framingham, MA
(US); **Jason A. Morris**, Melrose, MA
(US); **Marwan Aylouche**, Marblehead,
MA (US); **Michael Tinstman**, Lynn,
MA (US)

(73) Assignee: **American Power Conversion**, West
Kingston, RI (US)

(**) Term: **14 Years**

(21) Appl. No.: **29/175,937**

(22) Filed: **Feb. 13, 2003**

(51) **LOC (7) Cl.** **13-02**

(52) **U.S. Cl.** **D13/110**

(58) **Field of Search** D13/110, 112,
D13/114, 123, 133, 184, 199; 307/66, 150;
363/144; 439/318

(56) **References Cited**

U.S. PATENT DOCUMENTS

- D285,439 S * 9/1986 Nagele D14/217
D408,009 S * 4/1999 Fukushima D13/107
D434,370 S * 11/2000 Sun et al. D13/107

- D454,837 S * 3/2002 Ibuki et al. D13/107
D459,300 S * 6/2002 Kawanobe et al. D13/118
D471,518 S * 3/2003 Olsson et al. D13/118
D475,681 S * 6/2003 Ho D13/118

* cited by examiner

Primary Examiner—Philip S. Hyder

Assistant Examiner—Daniel Bui

(74) *Attorney, Agent, or Firm*—Mintz, Levin, Cohn, Ferris,
Glovsky and Popeo, P.C.

(57) **CLAIM**

The ornamental design for a powershield, as shown and
described.

DESCRIPTION

FIG. 1 is a right side perspective view showing our new
design;

FIG. 2 is a left side perspective view thereof;

FIG. 3 is a front plan view thereof;

FIG. 4 is a back plan view thereof;

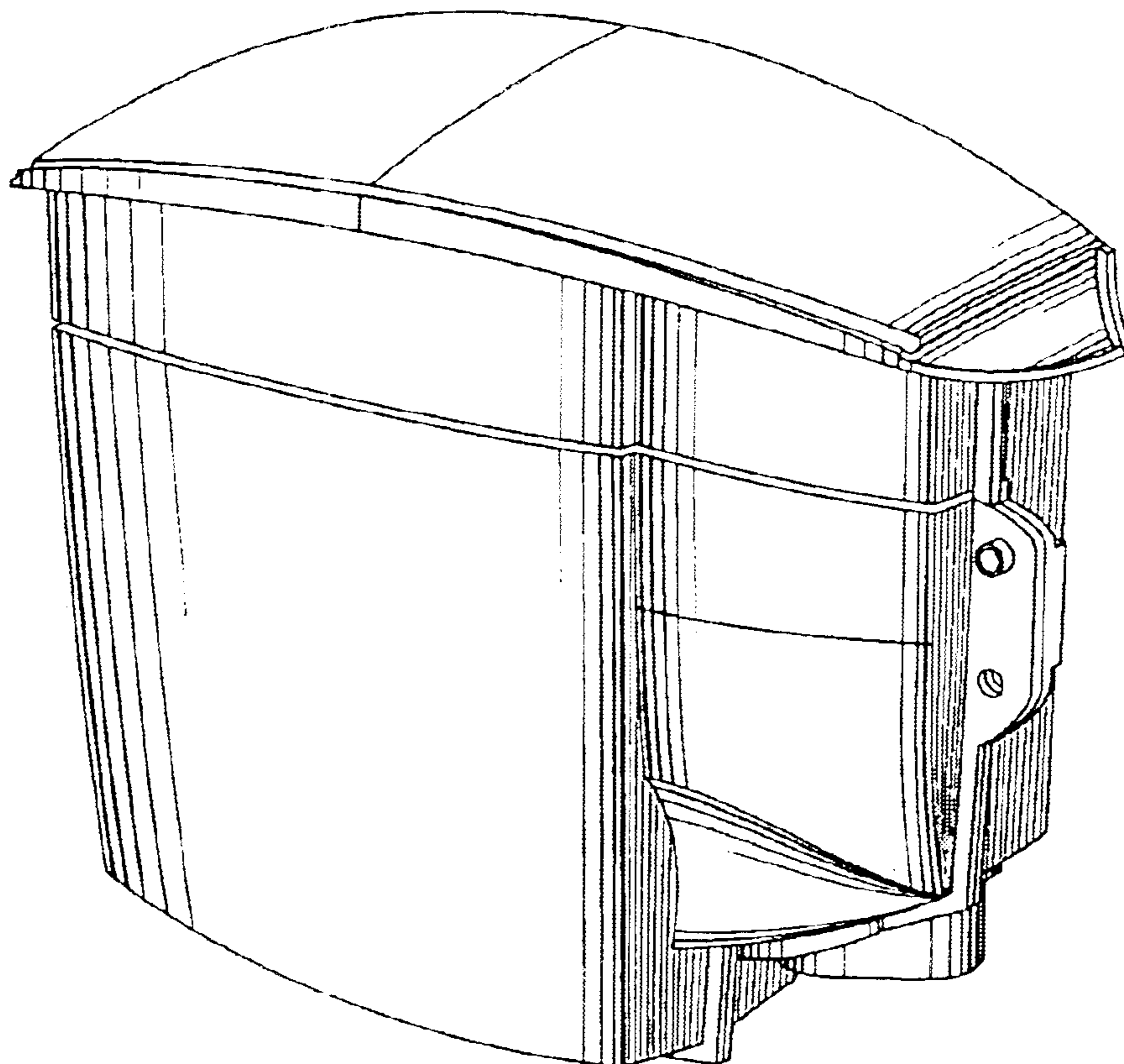
FIG. 5 is a right side elevational view thereof;

FIG. 6 is a left side elevational view thereof; and,

FIG. 7 is a top plan view thereof.

The portions of the powershield displayed in broken lines
are for illustrative purposes only and form no part of the
claimed design.

1 Claim, 7 Drawing Sheets



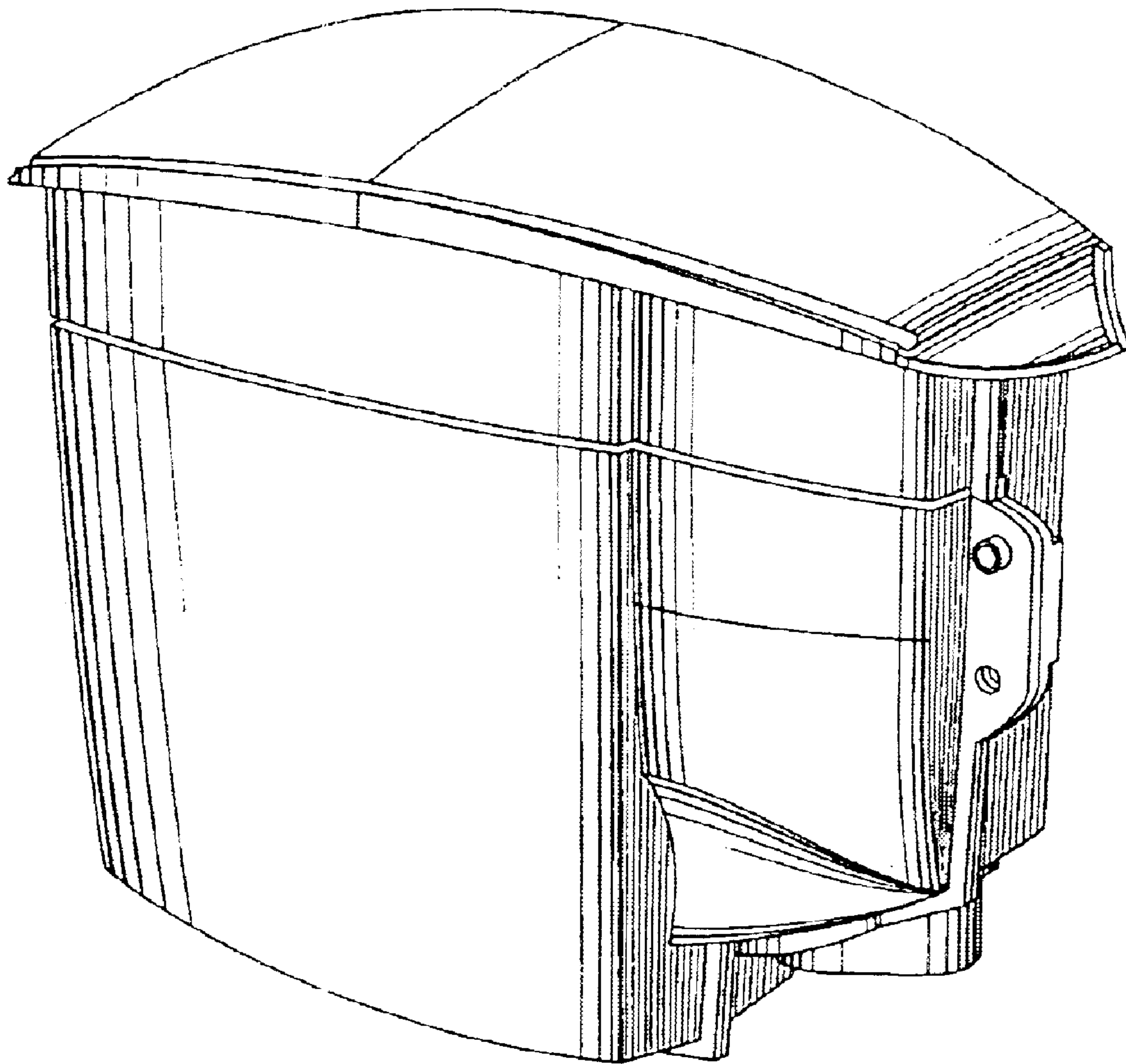


Fig. 1

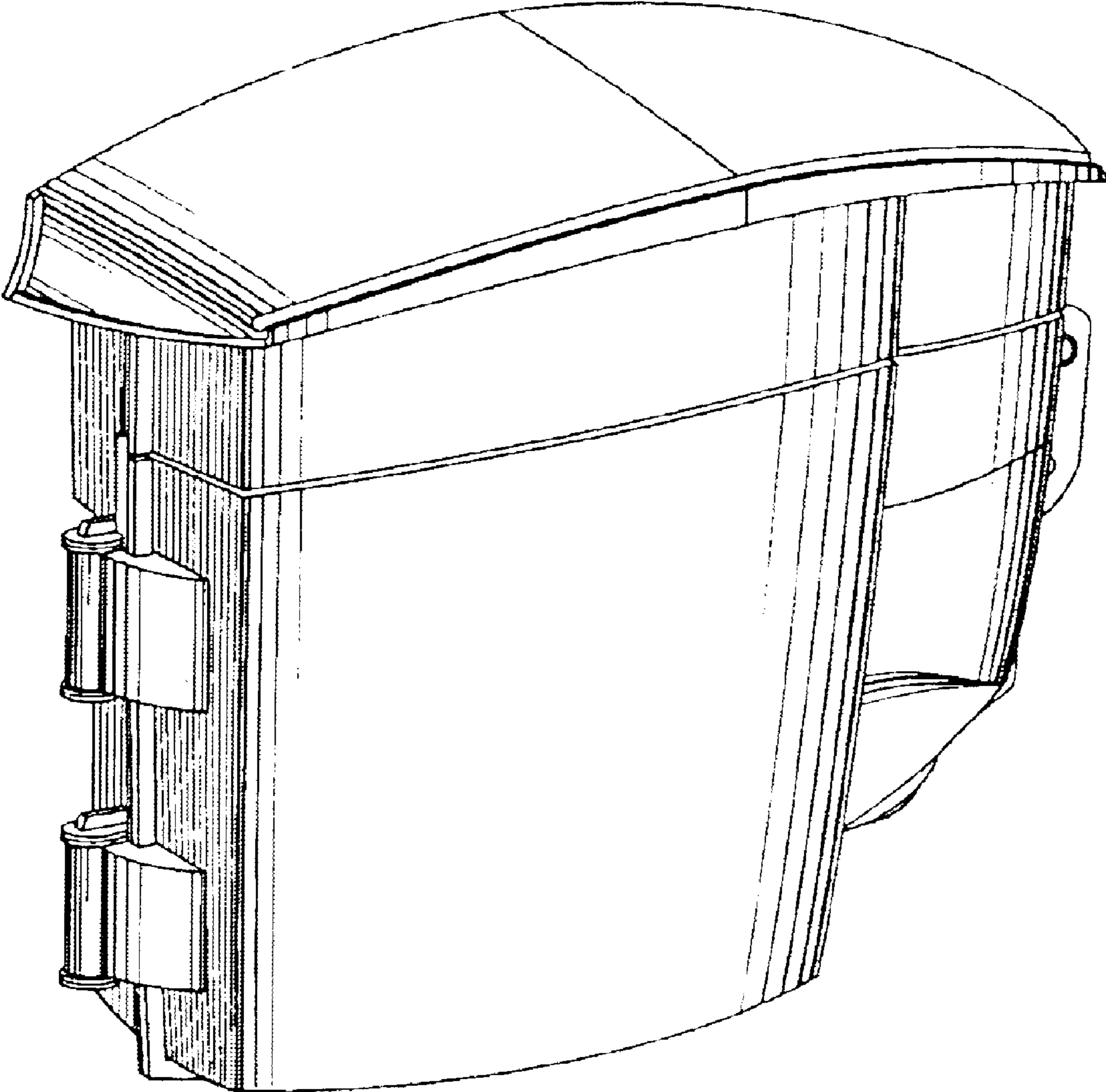


Fig. 2

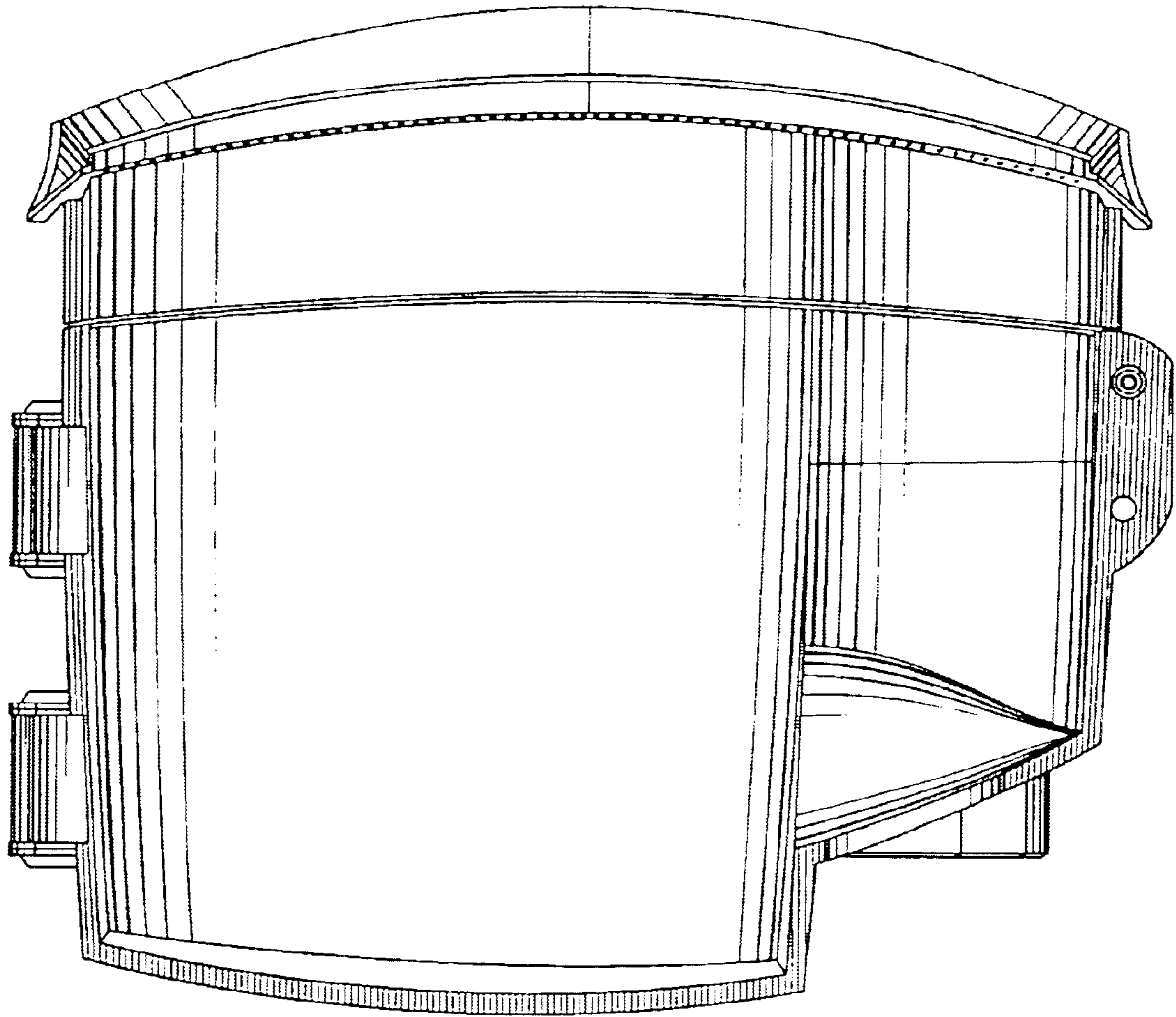


Fig. 3

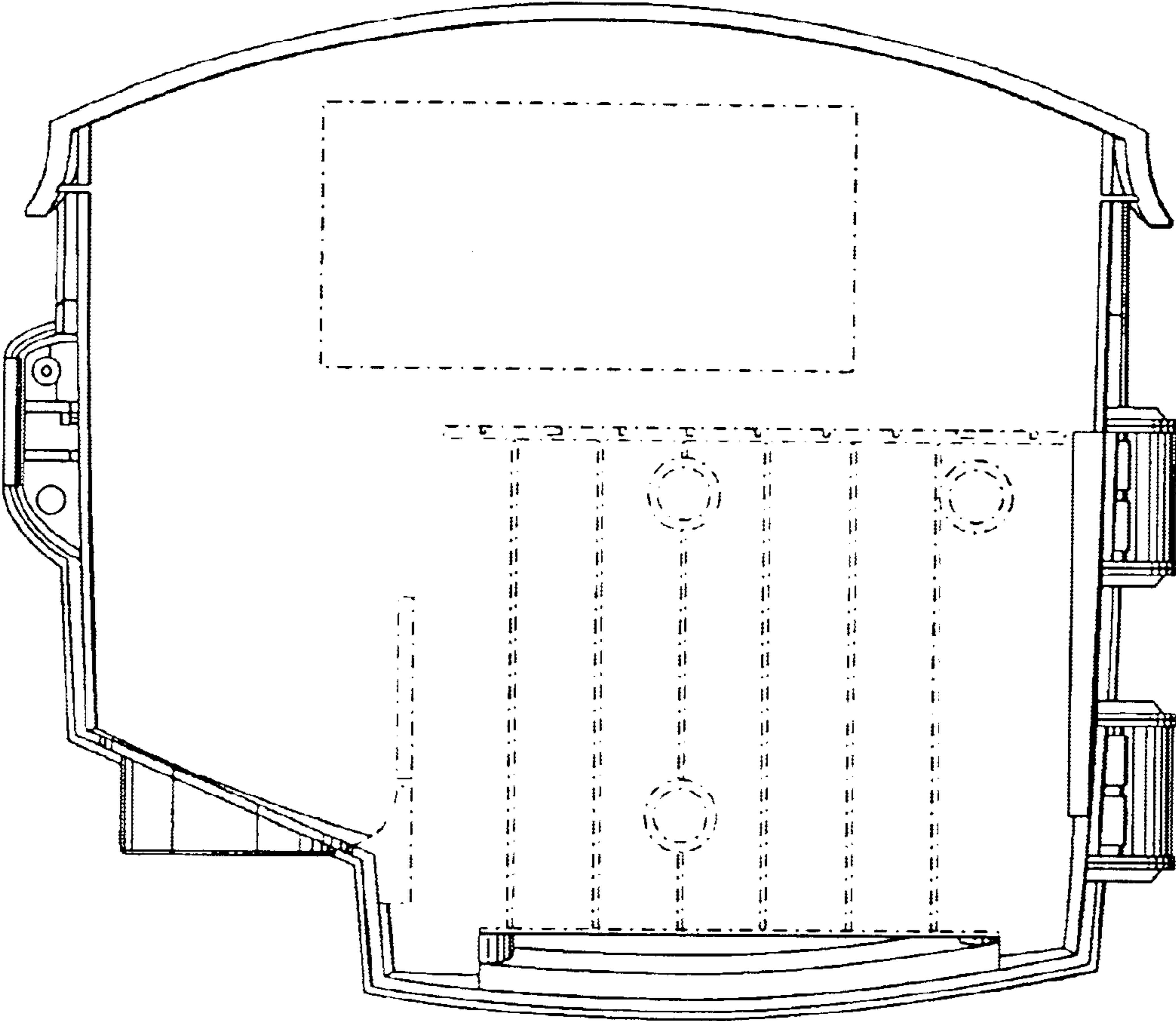


Fig. 4

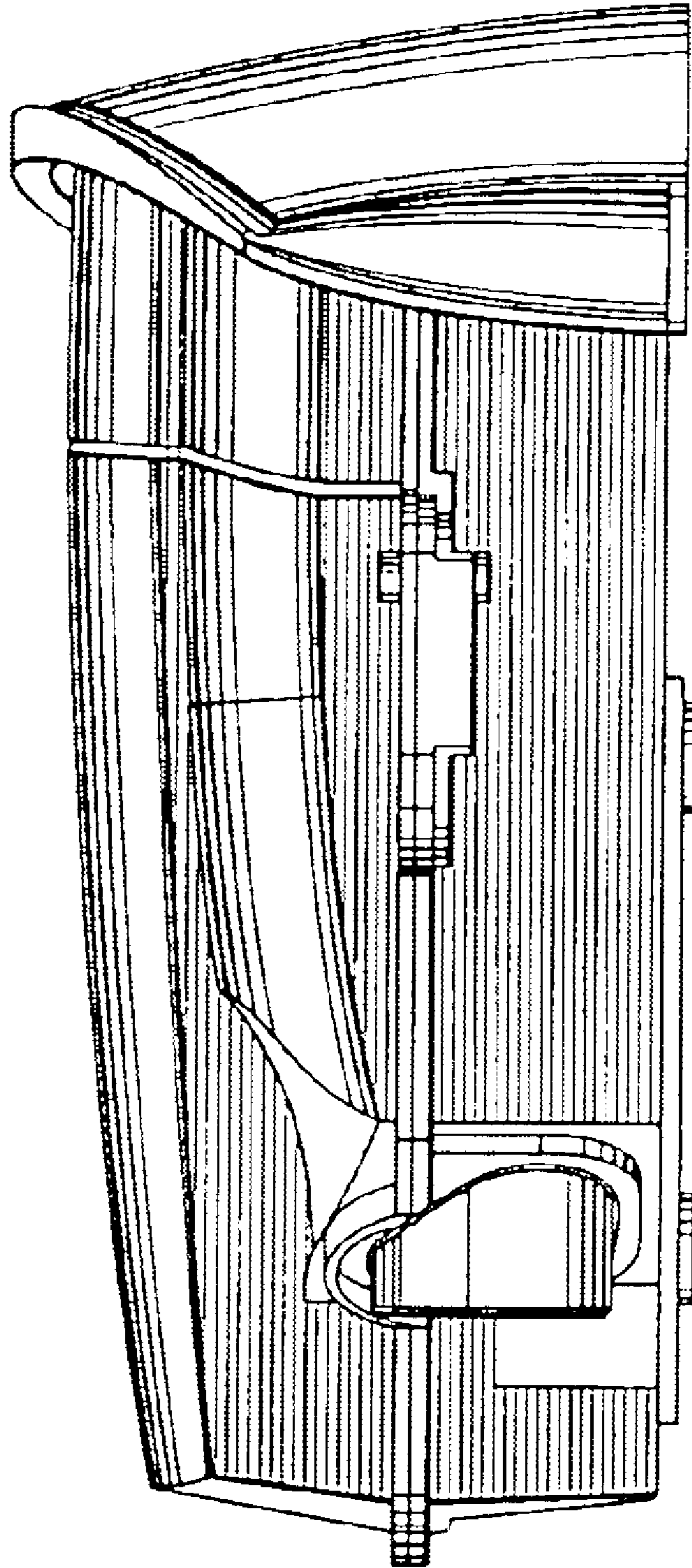


Fig. 5

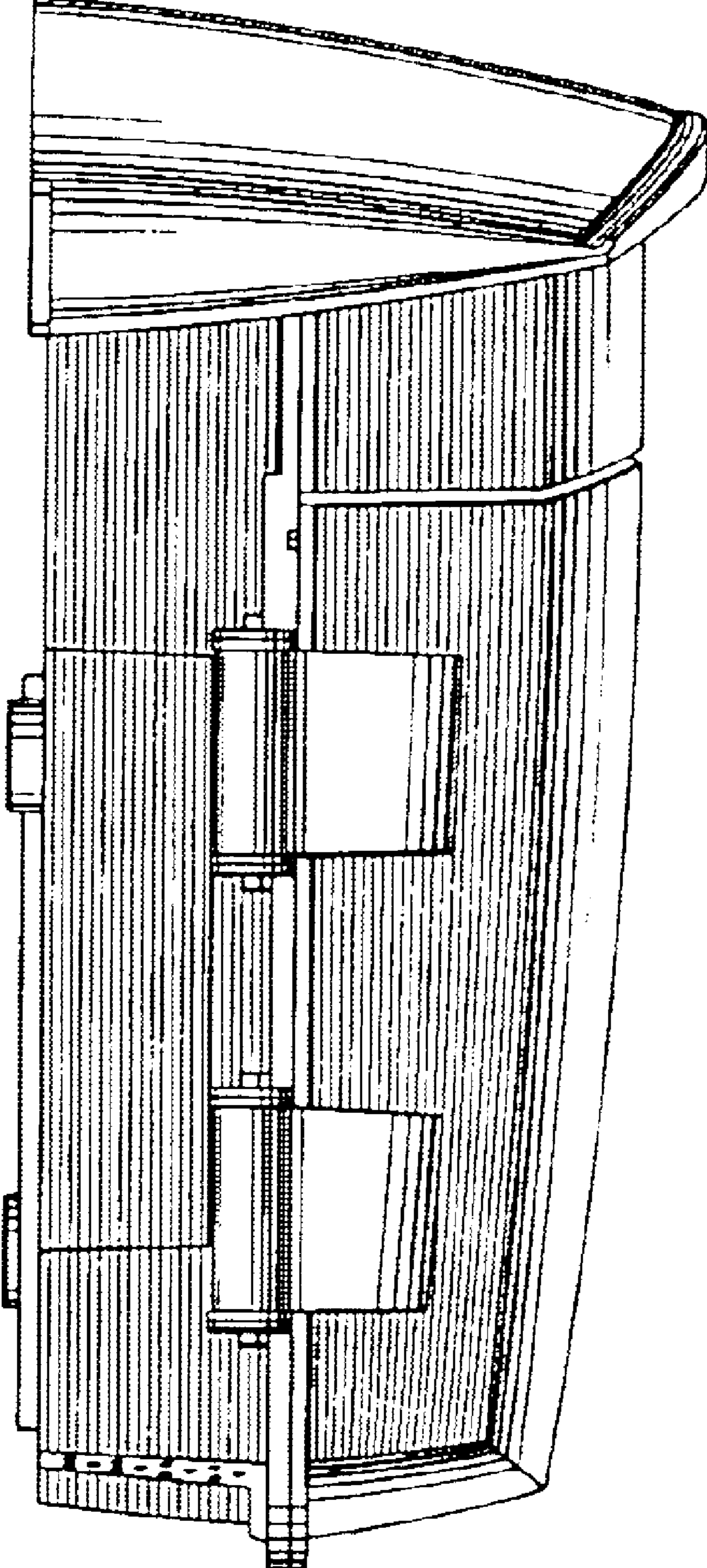


Fig. 6

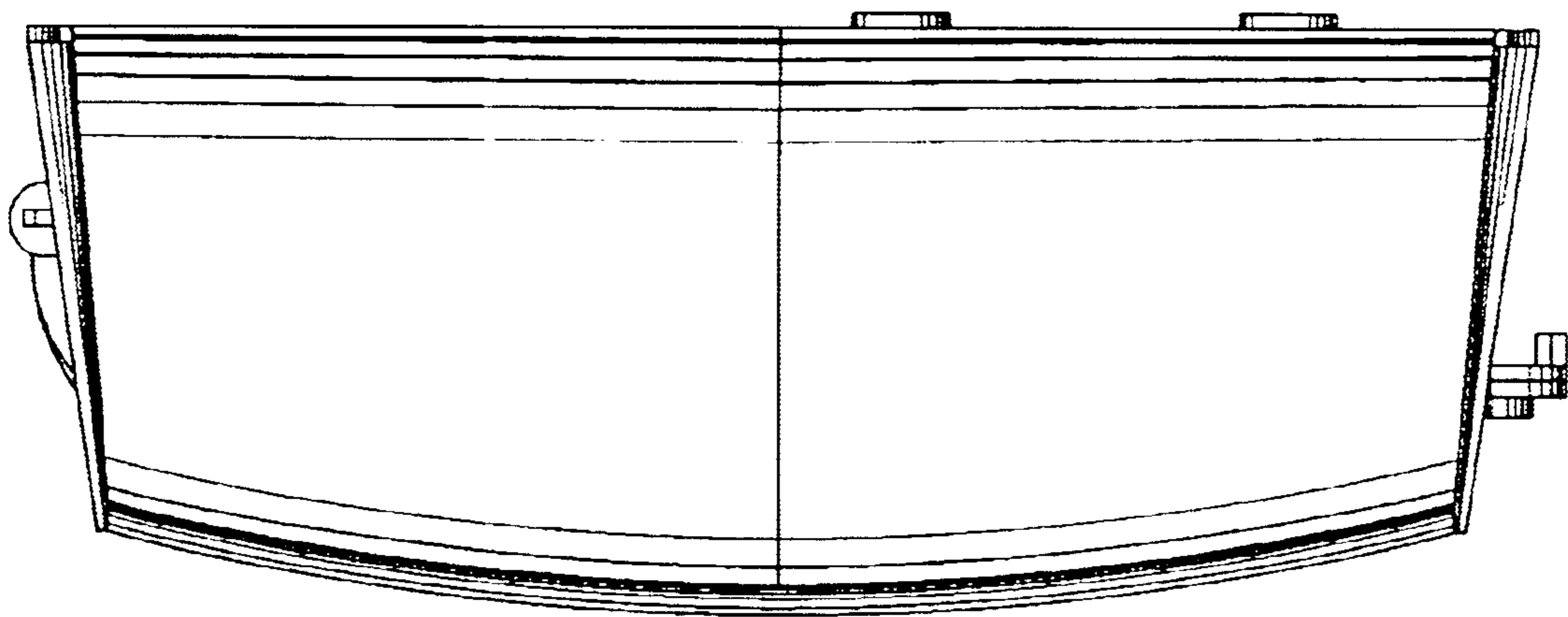


Fig. 7