

US00D493771S1

(12) **United States Design Patent**
Pagella et al.

(10) **Patent No.: US D493,771 S**
(45) **Date of Patent: ** Aug. 3, 2004**

(54) **INDUSTRIAL POWER SUPPLY MODULE**

(75) Inventors: **James Pagella**, Natick, MA (US); **John Meldrum Porter**, Attleboro, MA (US); **Ludi Van Deurse**, Norton, MA (US)

(73) Assignee: **Invensys Systems, Inc.**, Foxboro, MA (US)

(**) Term: **14 Years**

(21) Appl. No.: **29/168,392**

(22) Filed: **Oct. 1, 2002**

Related U.S. Application Data

(63) Continuation of application No. 09/930,362, filed on Aug. 15, 2001, now Pat. No. 6,535,409.

(51) **LOC (7) Cl.** **13-02**

(52) **U.S. Cl.** **D13/110**

(58) **Field of Search** D13/110, 112,
D13/118, 123, 184, 199; 165/122; 363/144;
307/66, 150; 439/315

(56) **References Cited**

U.S. PATENT DOCUMENTS

2,097,425 A * 10/1937 Wandell 261/103

| | | | | |
|--------------|---|---------|-----------------------|---------|
| D224,011 S | * | 6/1972 | Goetti | D23/351 |
| D224,012 S | * | 6/1972 | Goetti | D23/351 |
| D224,013 S | * | 6/1972 | Goetti | D23/351 |
| D281,315 S | * | 11/1985 | Kjeld | D13/184 |
| D303,664 S | * | 9/1989 | Harden et al. | D14/140 |
| D338,469 S | * | 8/1993 | Alden et al. | D14/240 |
| D349,689 S | * | 8/1994 | Beaumont et al. | D13/184 |
| D378,081 S | * | 2/1997 | Antonczak et al. | D13/184 |
| 5,706,252 A | * | 1/1998 | Verrier et al. | 367/152 |
| 6,191,522 B1 | * | 2/2001 | Reuter | 310/328 |

* cited by examiner

Primary Examiner—Prabhakar Deshmukh

Assistant Examiner—Daniel Bui

(74) *Attorney, Agent, or Firm*—Myers Bigel Sibley & Sajovec

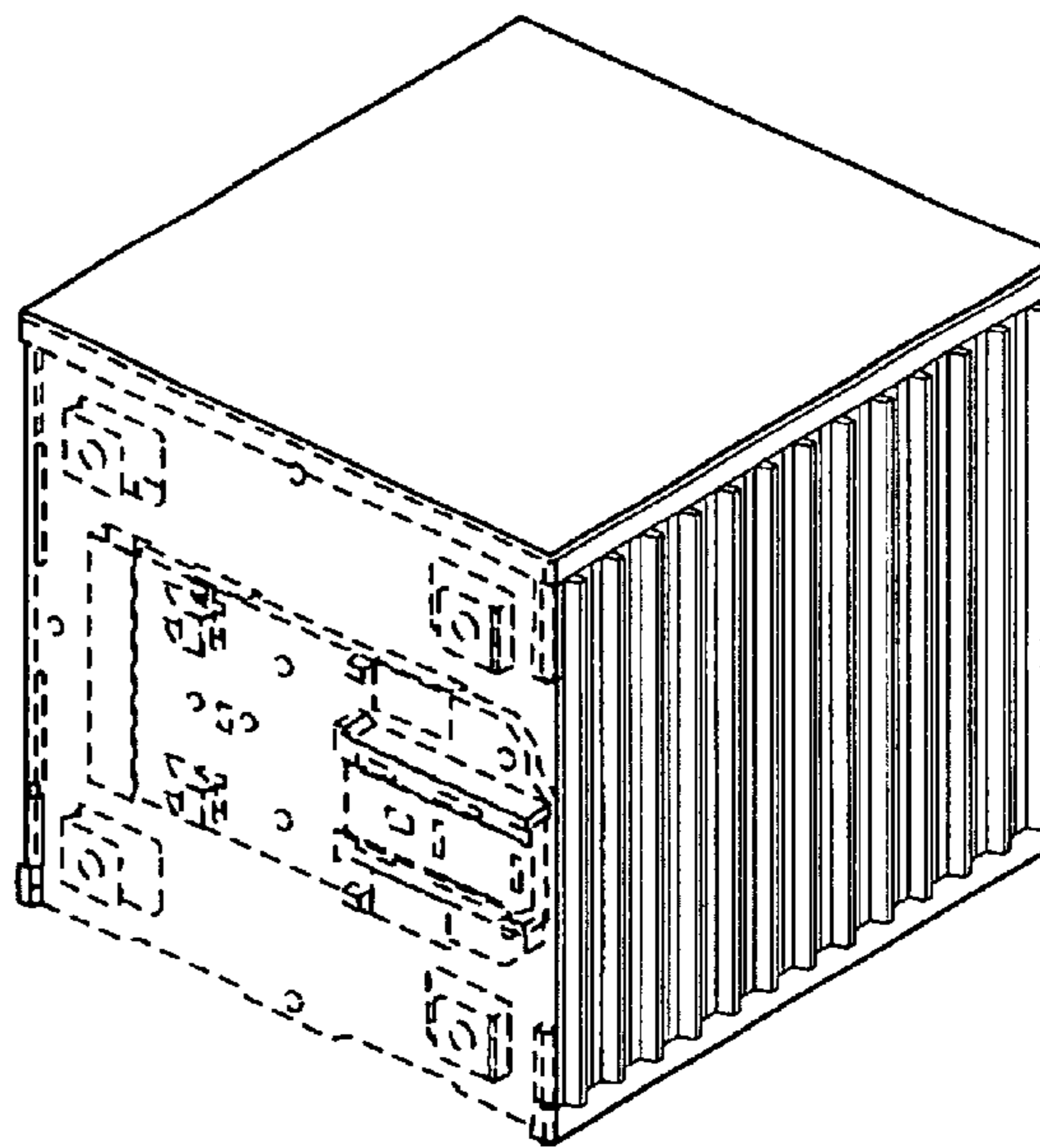
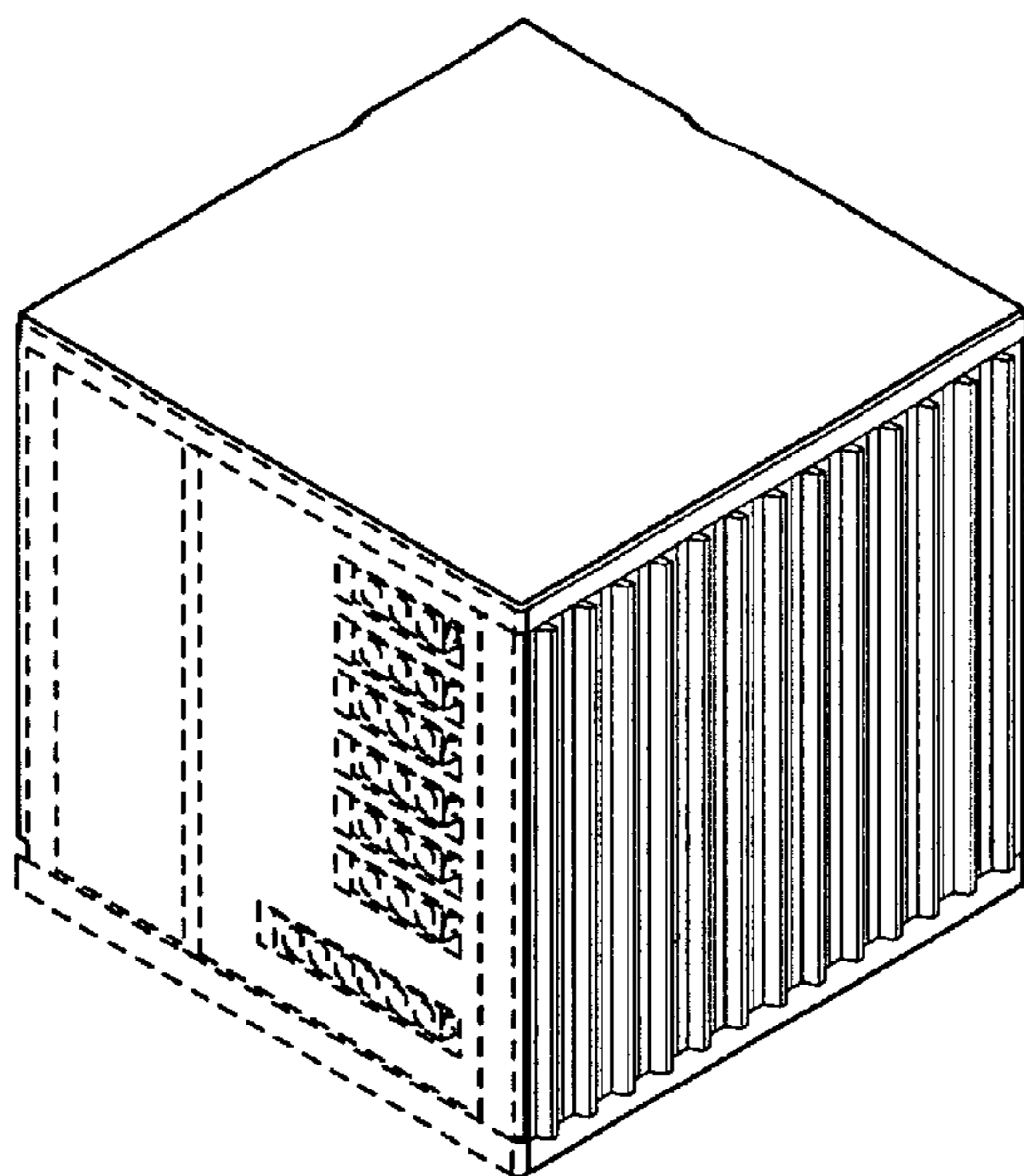
(57) **CLAIM**

The ornamental design for an industrial power supply module, as shown and described.

DESCRIPTION

FIG. 1 is a first perspective view showing our design of an industrial power supply module; and, FIG. 2 is a second perspective view thereof. The broken lines shown herein are for illustrative purposes only and form no part of the claimed design.

1 Claim, 1 Drawing Sheet



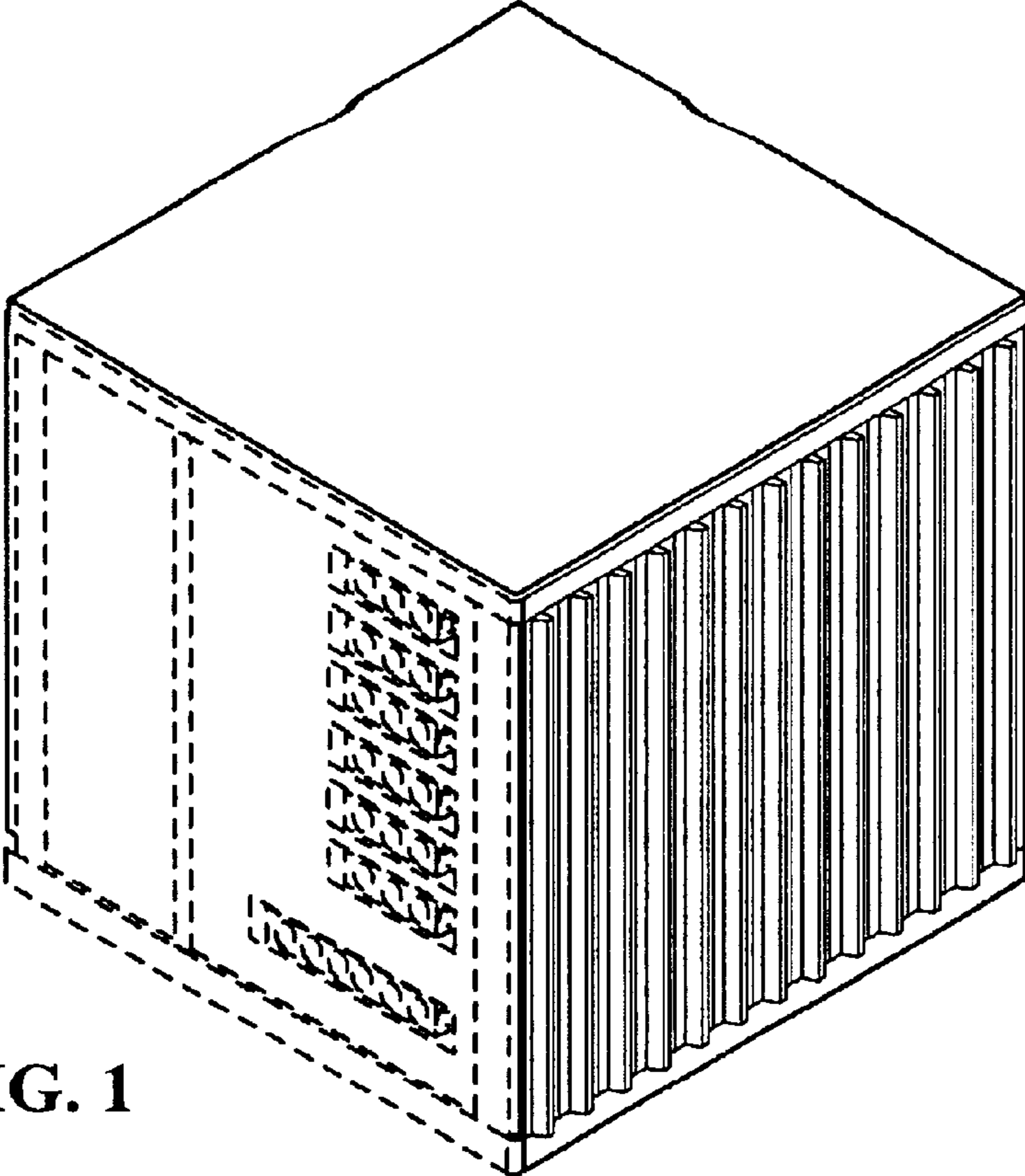


FIG. 1

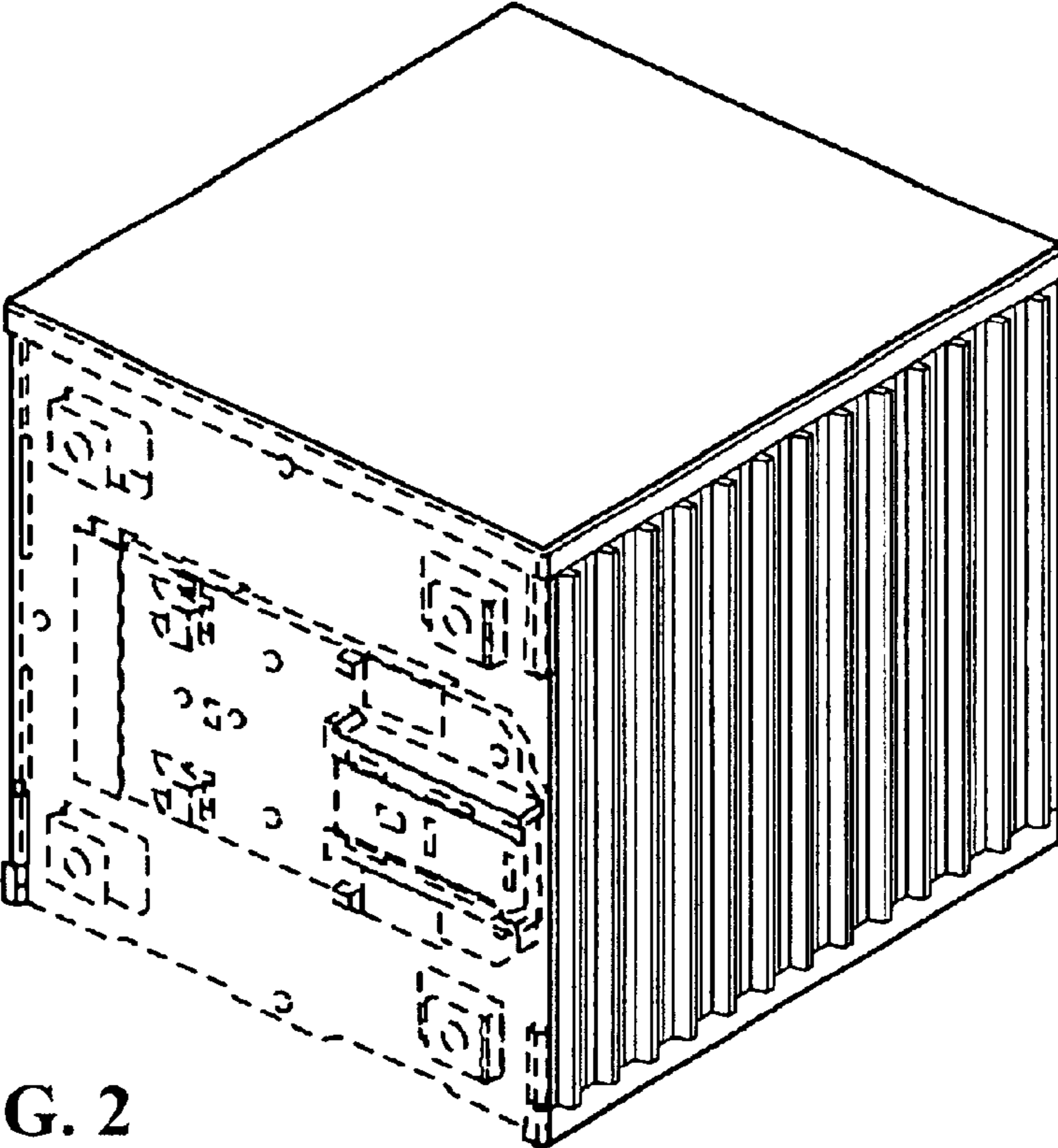


FIG. 2