

US00D493765S1

(12) **United States Design Patent** (10) **Patent No.:** **US D493,765 S**
Hanazawa (45) **Date of Patent:** **** Aug. 3, 2004**

(54) **CONSOLE FOR AUTOMOBILE**

(57) **CLAIM**

(75) Inventor: **Atsuyuki Hanazawa, Hino (JP)**

The ornamental design for a console for automobile, as described and shown.

(73) Assignee: **Hino Jidosha Kabushiki Kaisha, Hino (JP)**

DESCRIPTION

(**) Term: **14 Years**

This patent application claims the benefit of Japanese Patent Application No. D-2003-016904, filed Jun. 16, 2003, which is incorporated by reference.

(21) Appl. No.: **29/195,367**

FIG. 1 is a front view of a console for automobile of the present invention.

(22) Filed: **Dec. 11, 2003**

FIG. 2 is a left side view of the console for automobile of FIG. 1.

(30) **Foreign Application Priority Data**

Jun. 16, 2003 (JP) 2003-016904

FIG. 3 is a right side view of the console for automobile of FIG. 1.

(51) **LOC (7) Cl.** **12-16**

FIG. 4 is a rear view of the console for automobile of FIG. 1.

(52) **U.S. Cl.** **D12/419**

FIG. 5 is a top plan view of the console for automobile of FIG. 1.

(58) **Field of Search** D12/415-419, D12/435-426.1; D3/232-234, 245-246, 216-228, 303; D7/505, 701, 553-553.5, 601-602, 619, 707-708; 297/135; 108/25-26, 44, 45; 296/37.15, 37.16, 37.1, 37.8; 224/539, 542, 275, 277-278, 926; D6/406.3, 406.6

FIG. 6 is a bottom view of the console for automobile of FIG. 1.

FIG. 7 is a perspective view of the console for automobile of FIG. 1.

(56) **References Cited**

U.S. PATENT DOCUMENTS

D304,263 S	*	10/1989	Mull	D12/419
D323,932 S	*	2/1992	Hudgens	D12/419
D327,364 S	*	6/1992	Mankey	D12/419
D351,585 S	*	10/1994	Scheurer	D12/424
D352,495 S	*	11/1994	Mawhinney et al.	D12/419
D396,844 S	*	8/1998	Smith	D12/419
D415,732 S	*	10/1999	Latham	D12/419
D434,721 S	*	12/2000	Lieberman	D12/419
D444,120 S	*	6/2001	Smith	D12/419
D460,635 S	*	7/2002	Lieberman et al.	D6/406.3
6,422,440 B1	*	7/2002	Stone	224/275
D461,161 S	*	8/2002	Hoy	D12/419

FIG. 8 is a front view of the main body of the console for automobile of FIG. 1.

FIG. 9 is a left side view of the main body of the console for automobile of FIG. 1.

FIG. 10 is a top plan view of the main body of the console for automobile of FIG. 1.

FIG. 11 is a perspective view of the main body of the console for automobile of FIG. 1.

FIG. 12 is a front view of the removable top portion of the console for automobile of FIG. 1.

FIG. 13 is a left side view of the removable top portion of the console for automobile of FIG. 1.

FIG. 14 is a top plan view of the removable top portion of the console for automobile of FIG. 1.

FIG. 15 is a perspective view of the removable top portion of the console for automobile of FIG. 1; and,

FIG. 16 is a reference view showing the top portion and the main body of the console for automobile of FIG. 1.

The broken line showing of the environment is for illustrative purposes only and forms no part of the claimed design.

* cited by examiner

Primary Examiner—Stacia Cadmus

(74) Attorney, Agent, or Firm—Leydig, Voit & Mayer, Ltd.

1 Claim, 9 Drawing Sheets

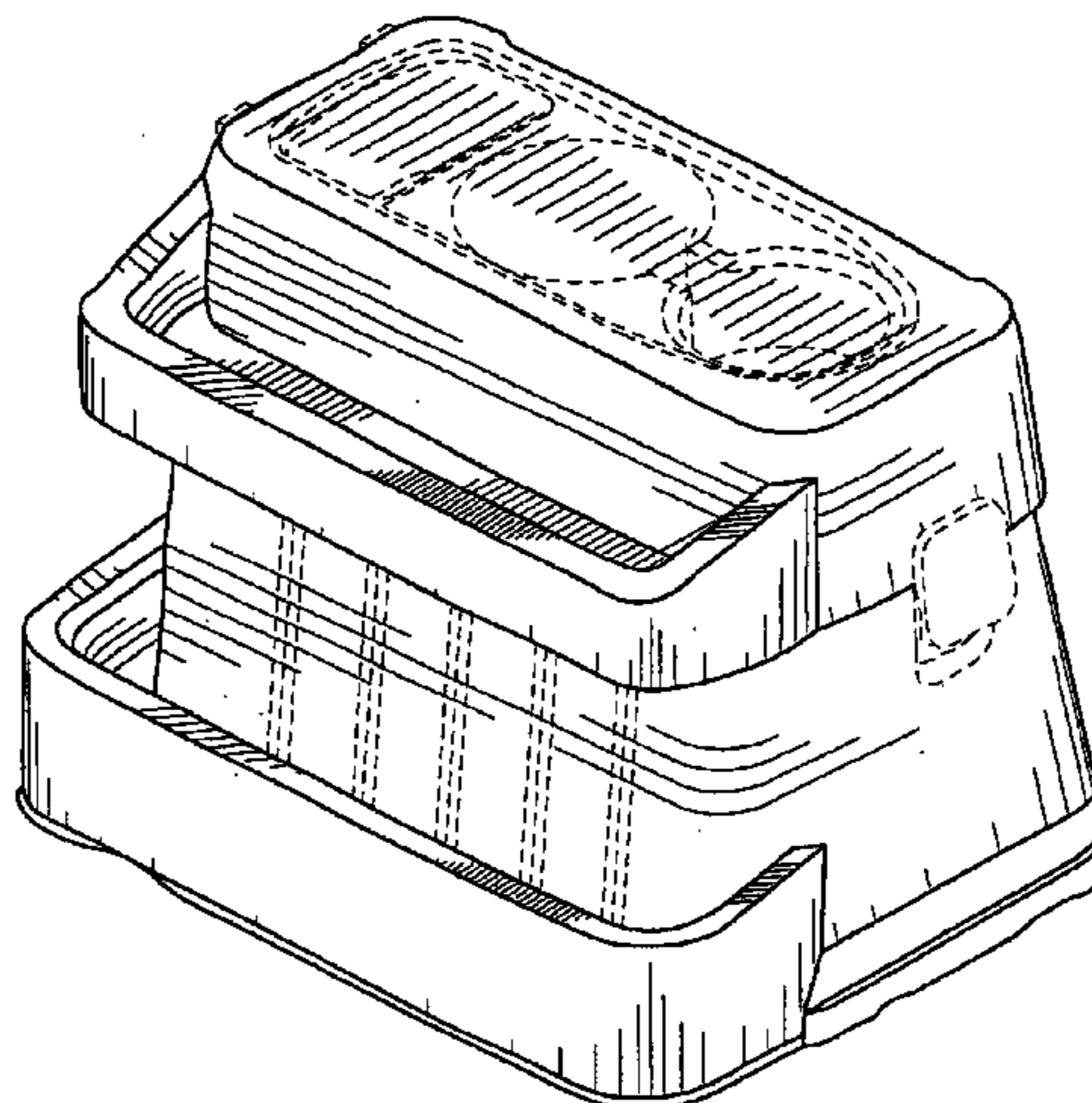


FIG. 2

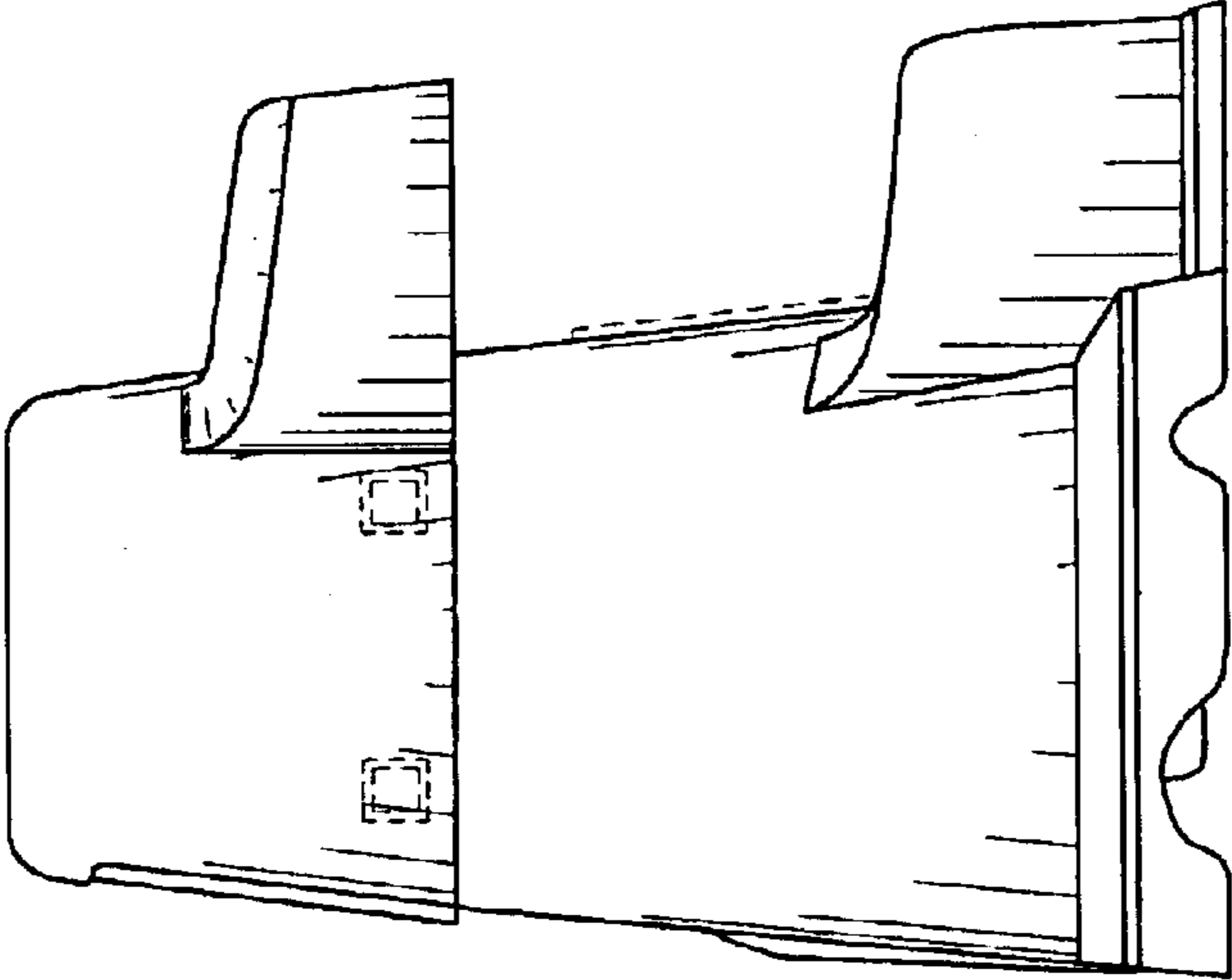


FIG. 1

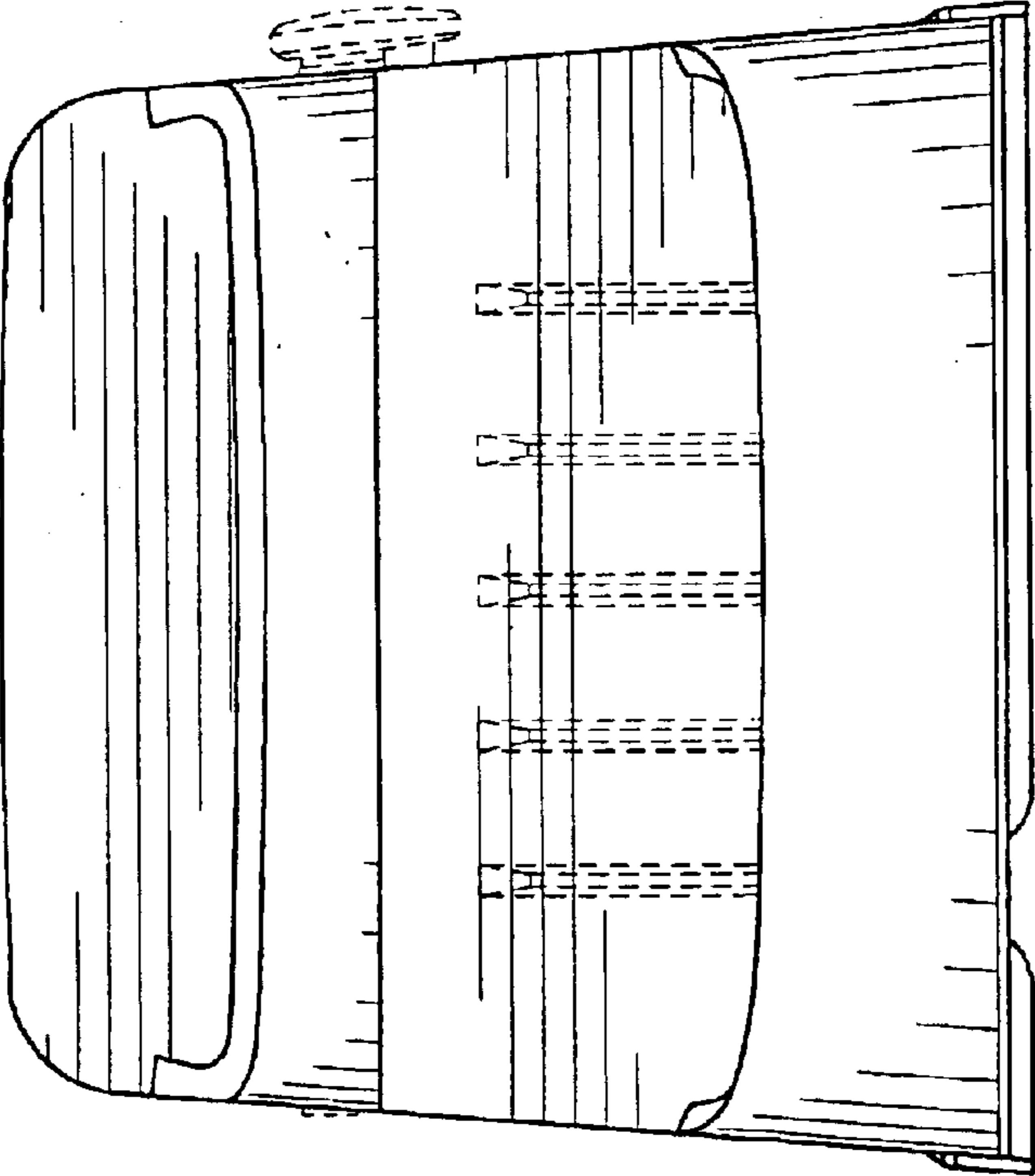


FIG. 4

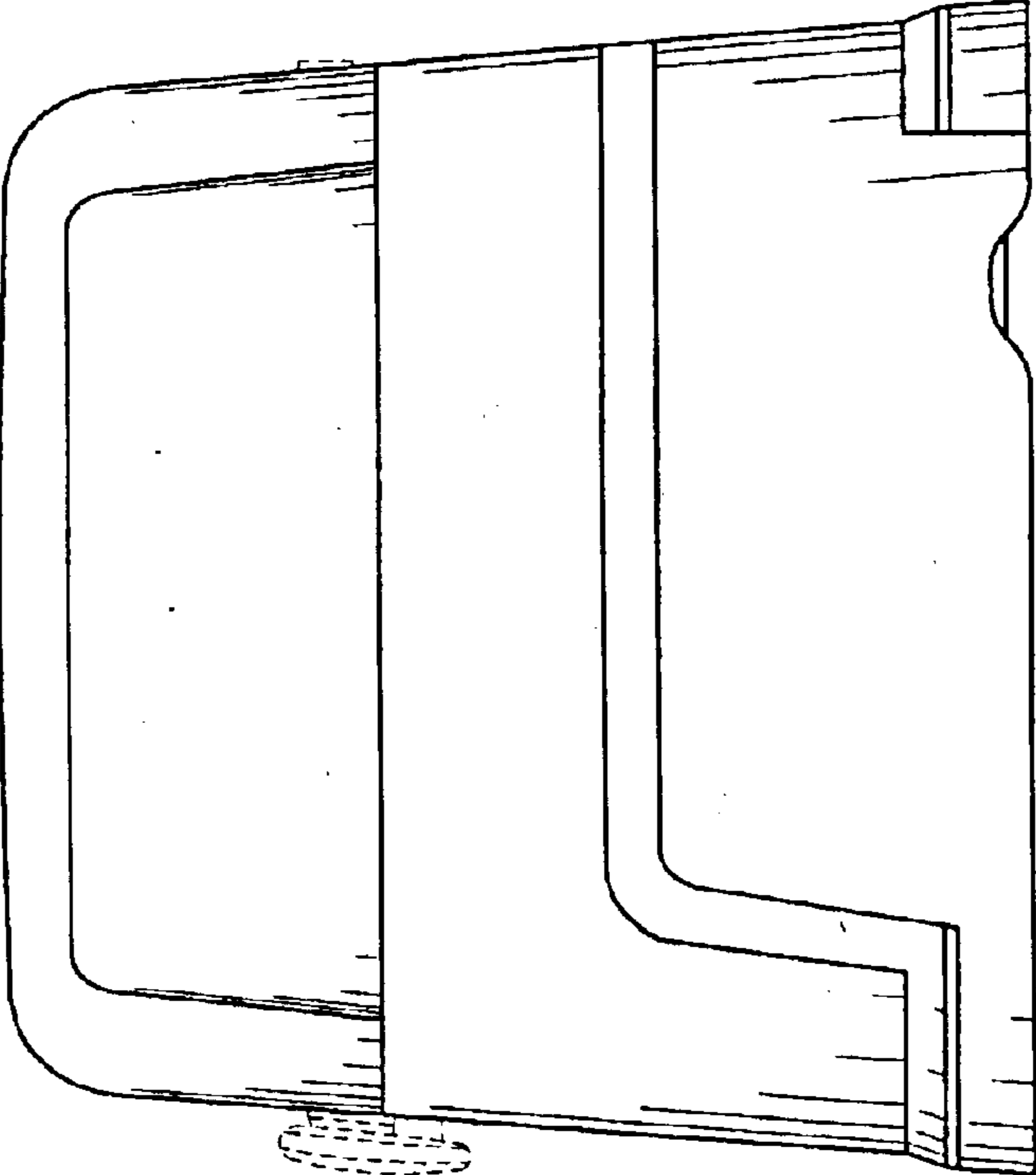


FIG. 3

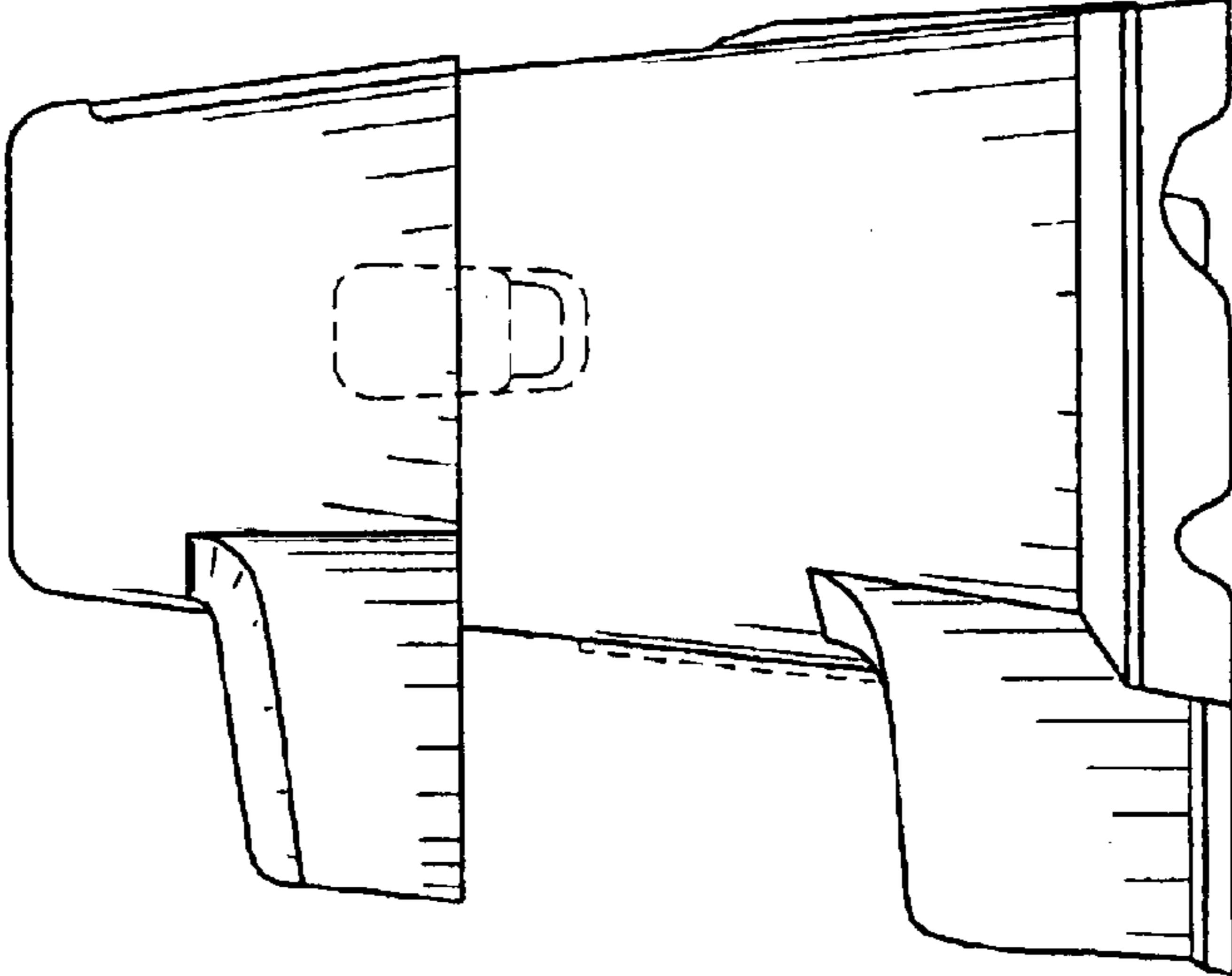


FIG. 5

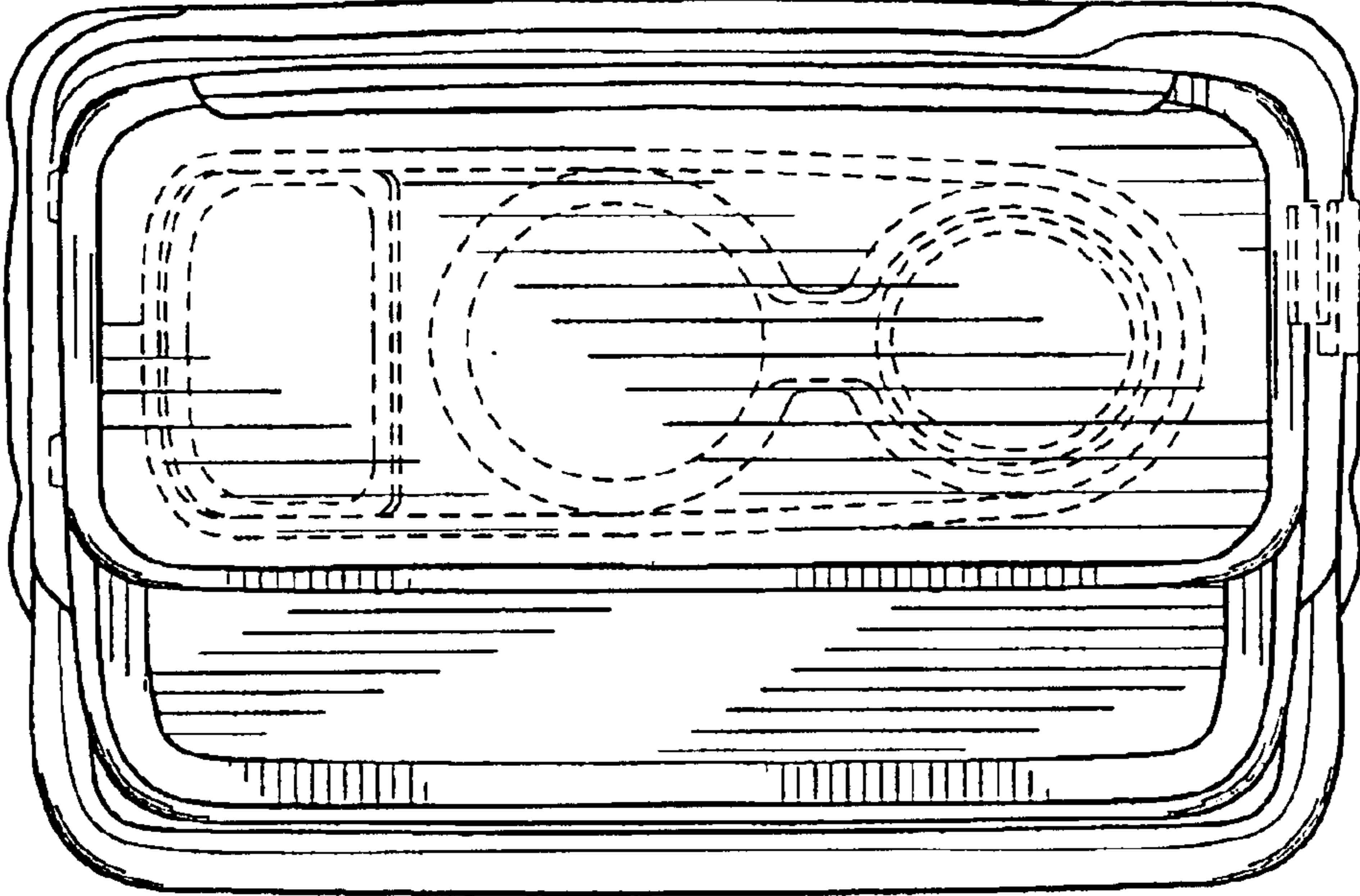


FIG. 6

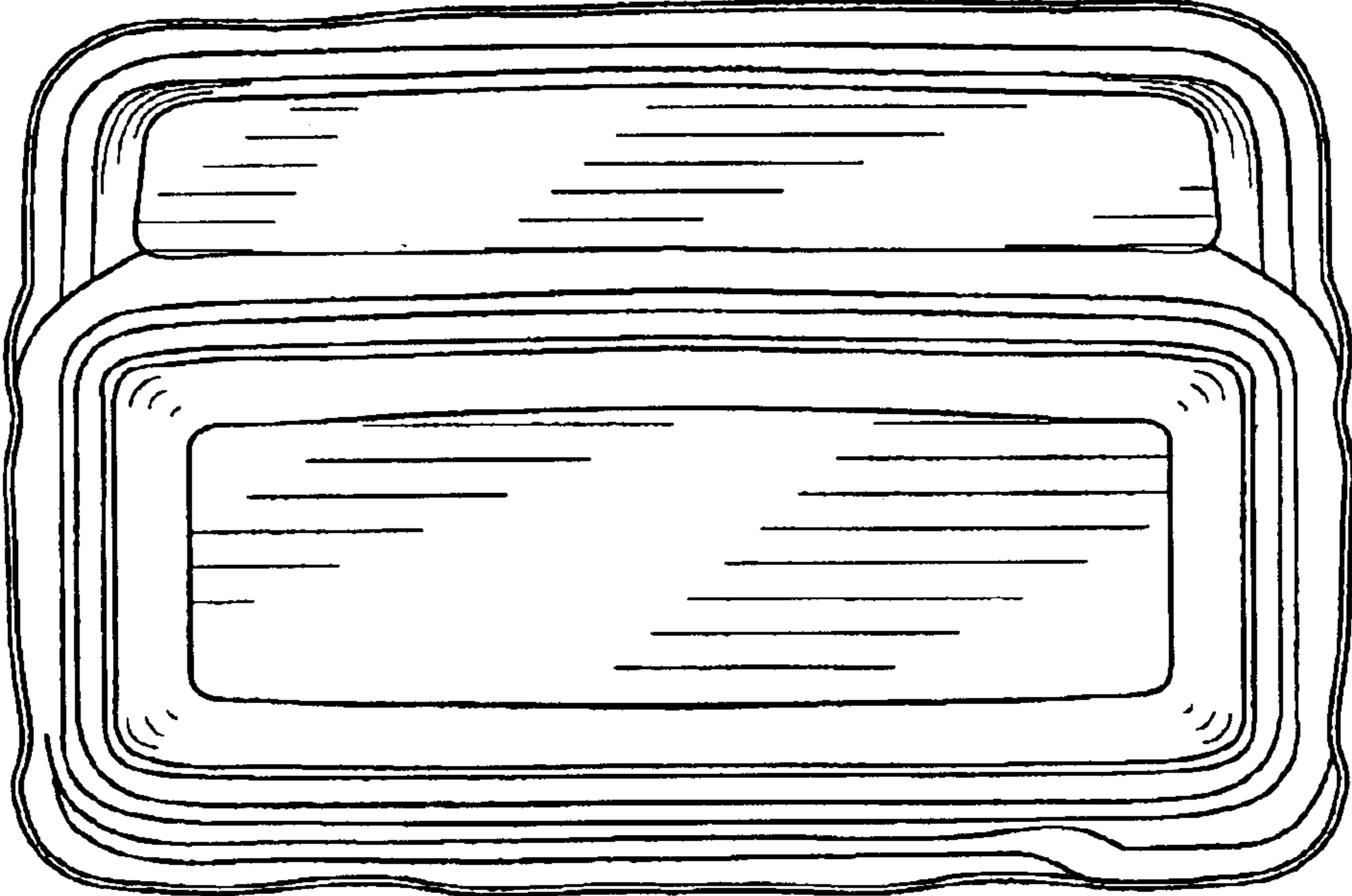


FIG. 7

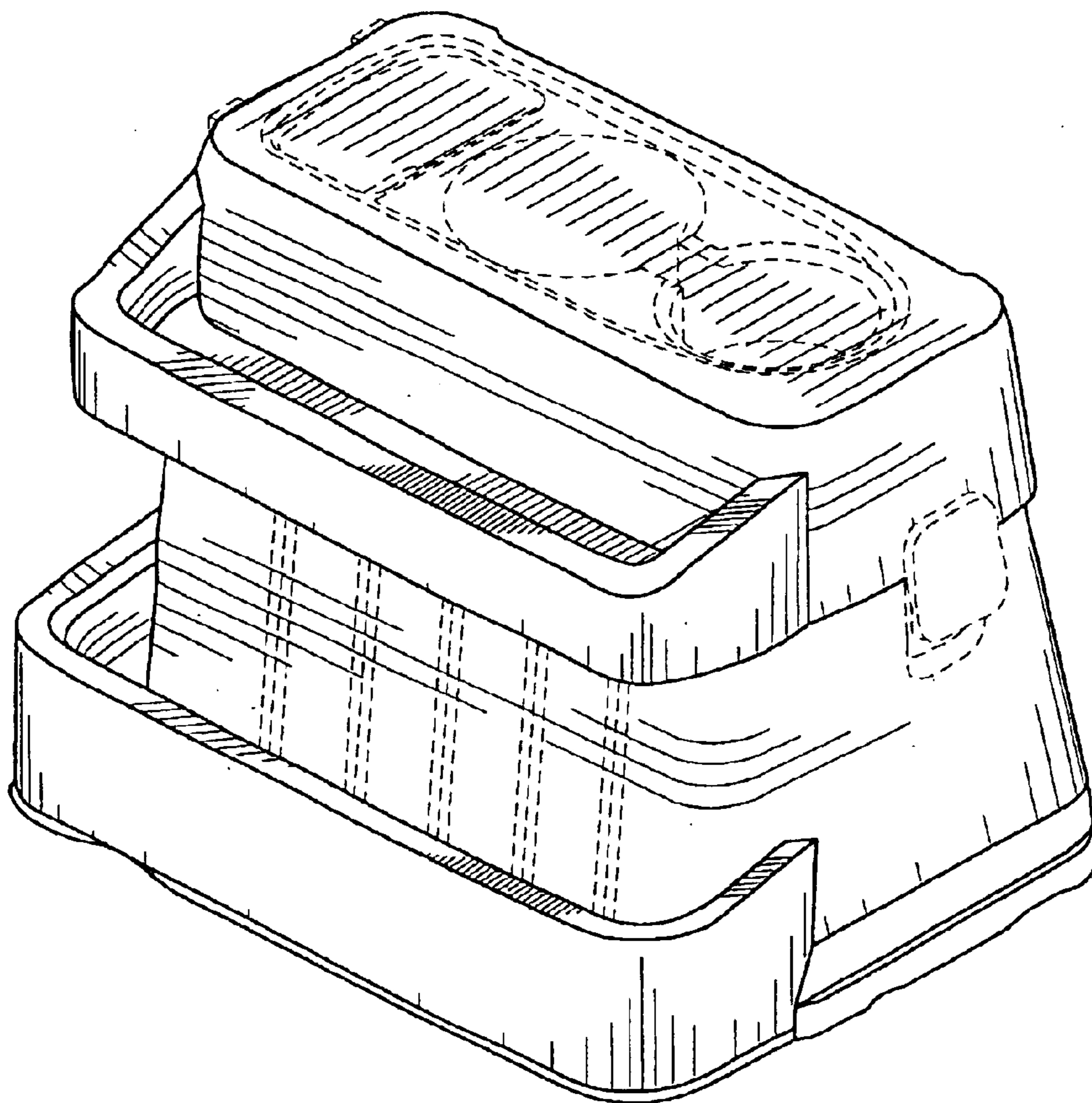


FIG. 9

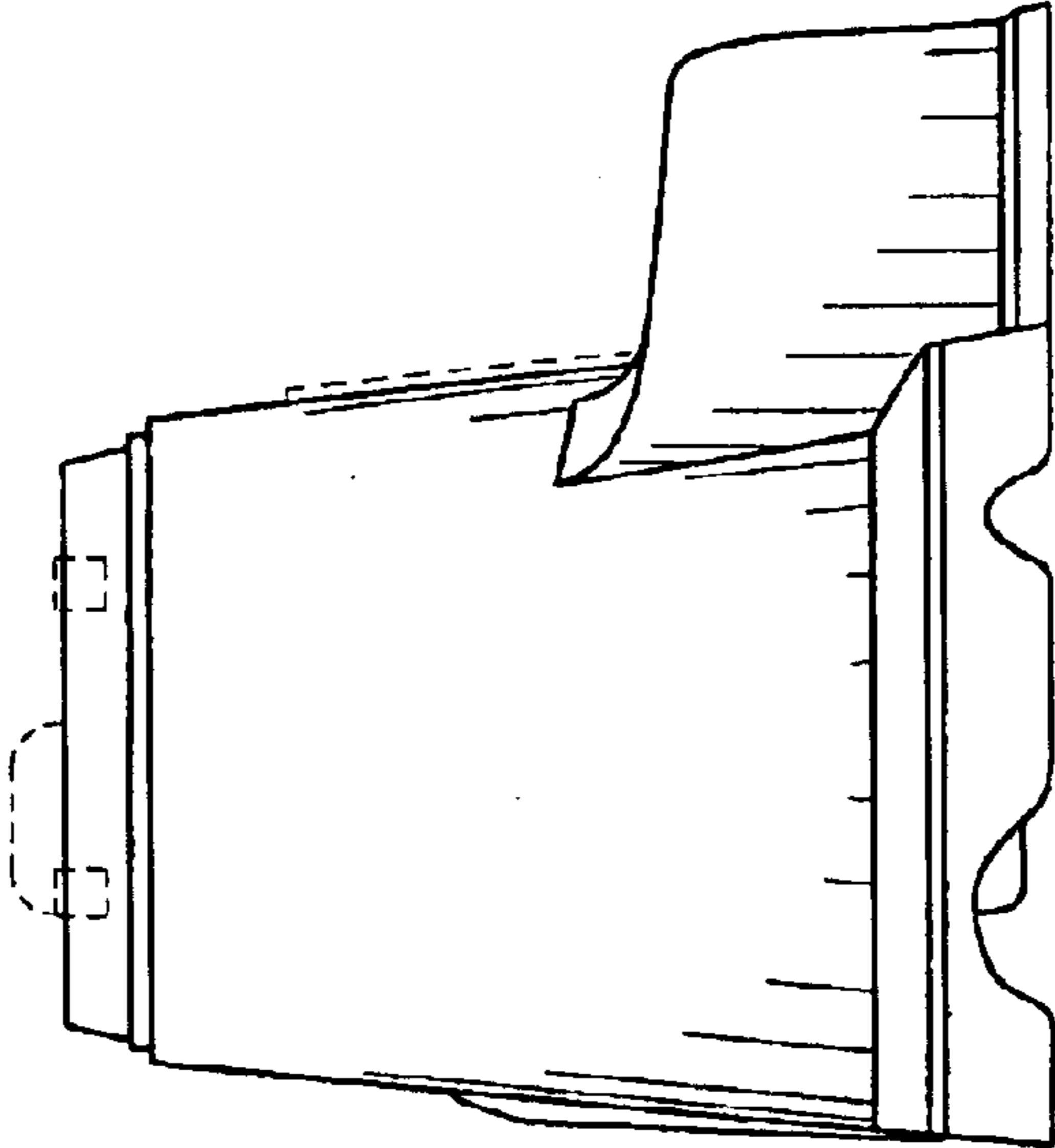


FIG. 8

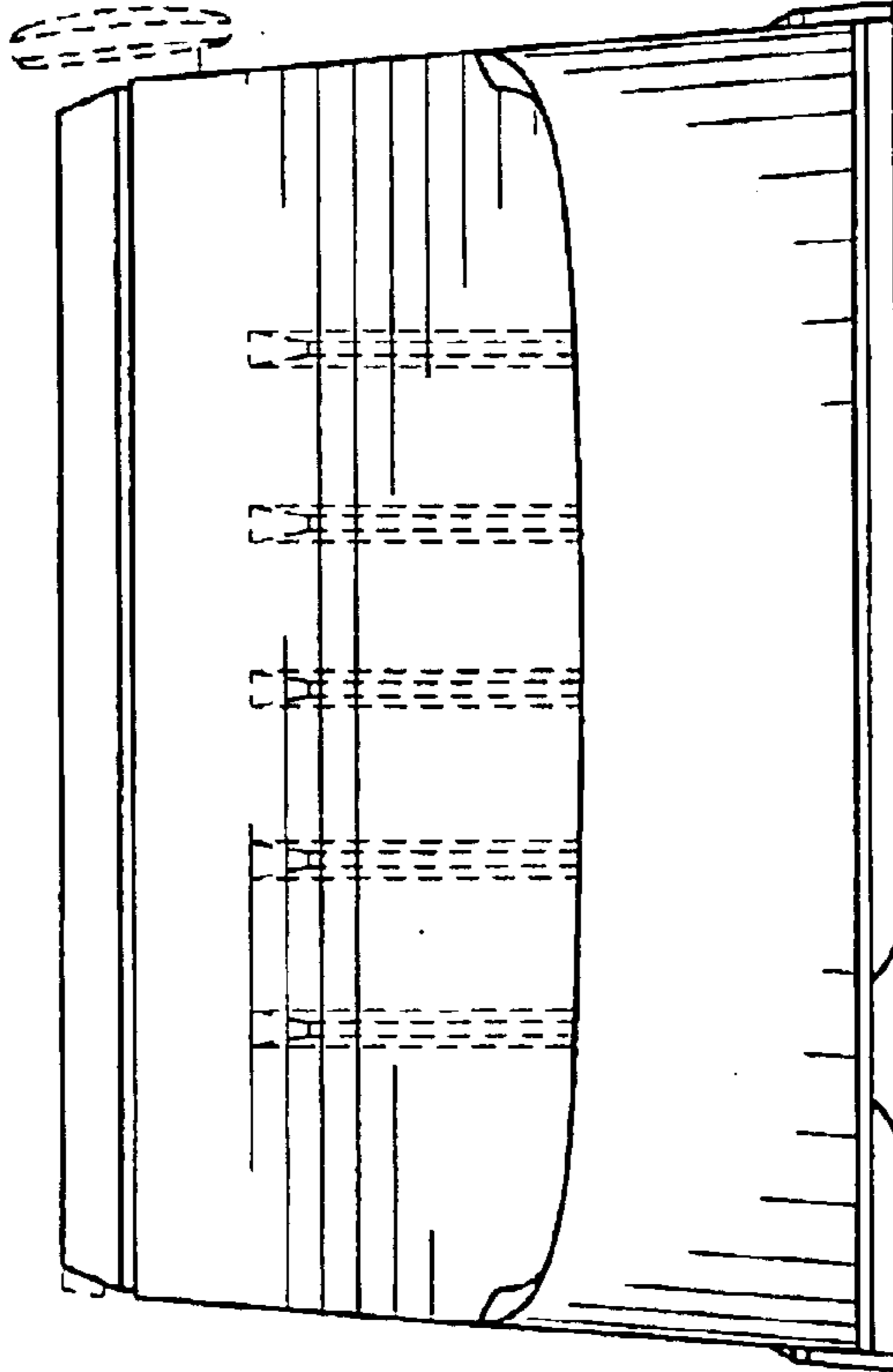


FIG. 10

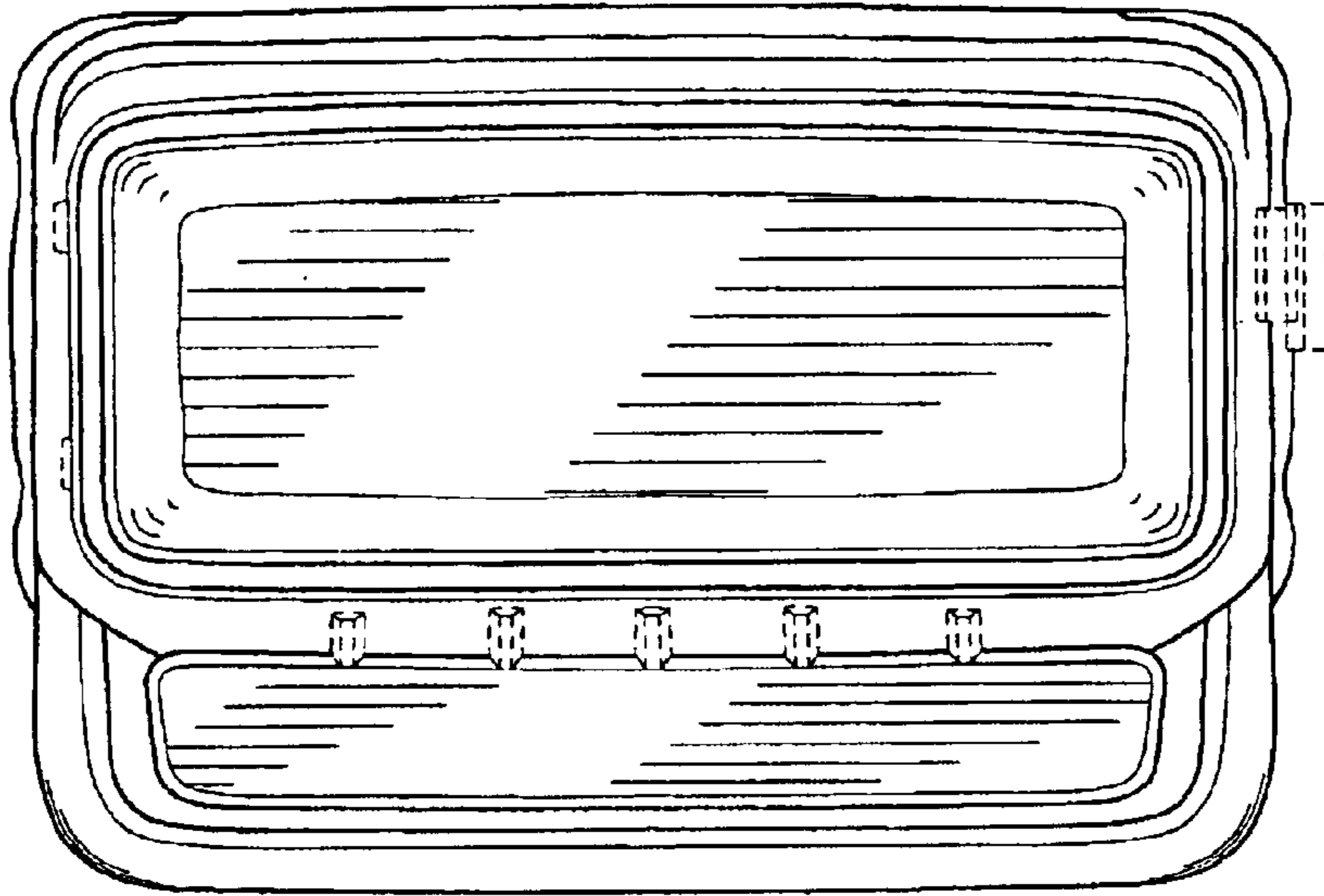


FIG. 11

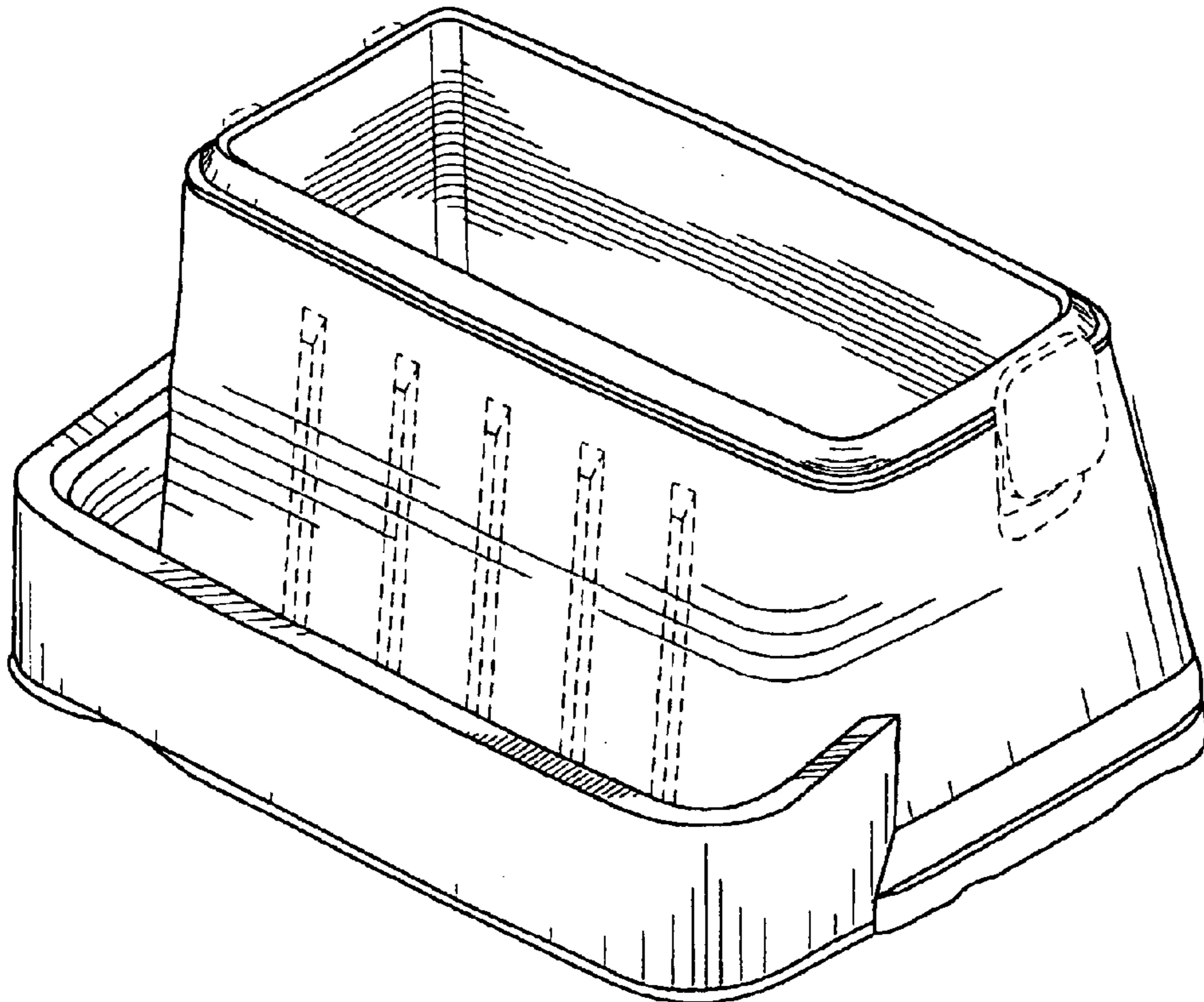


FIG. 12

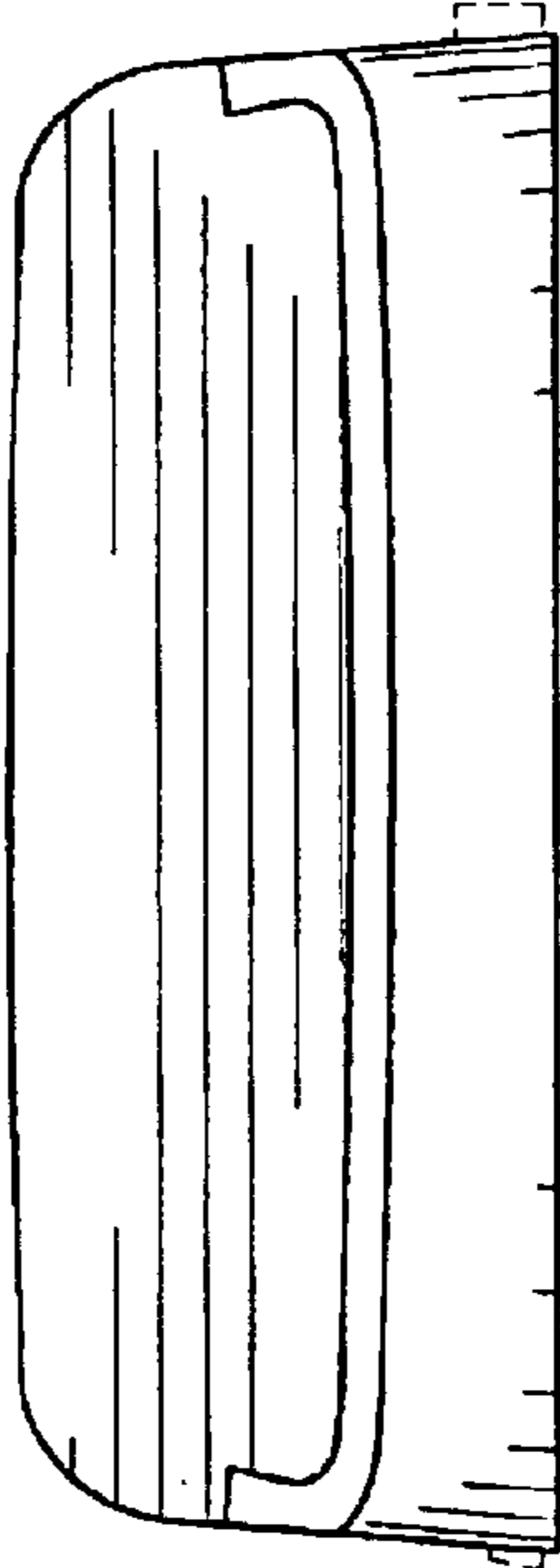


FIG. 13

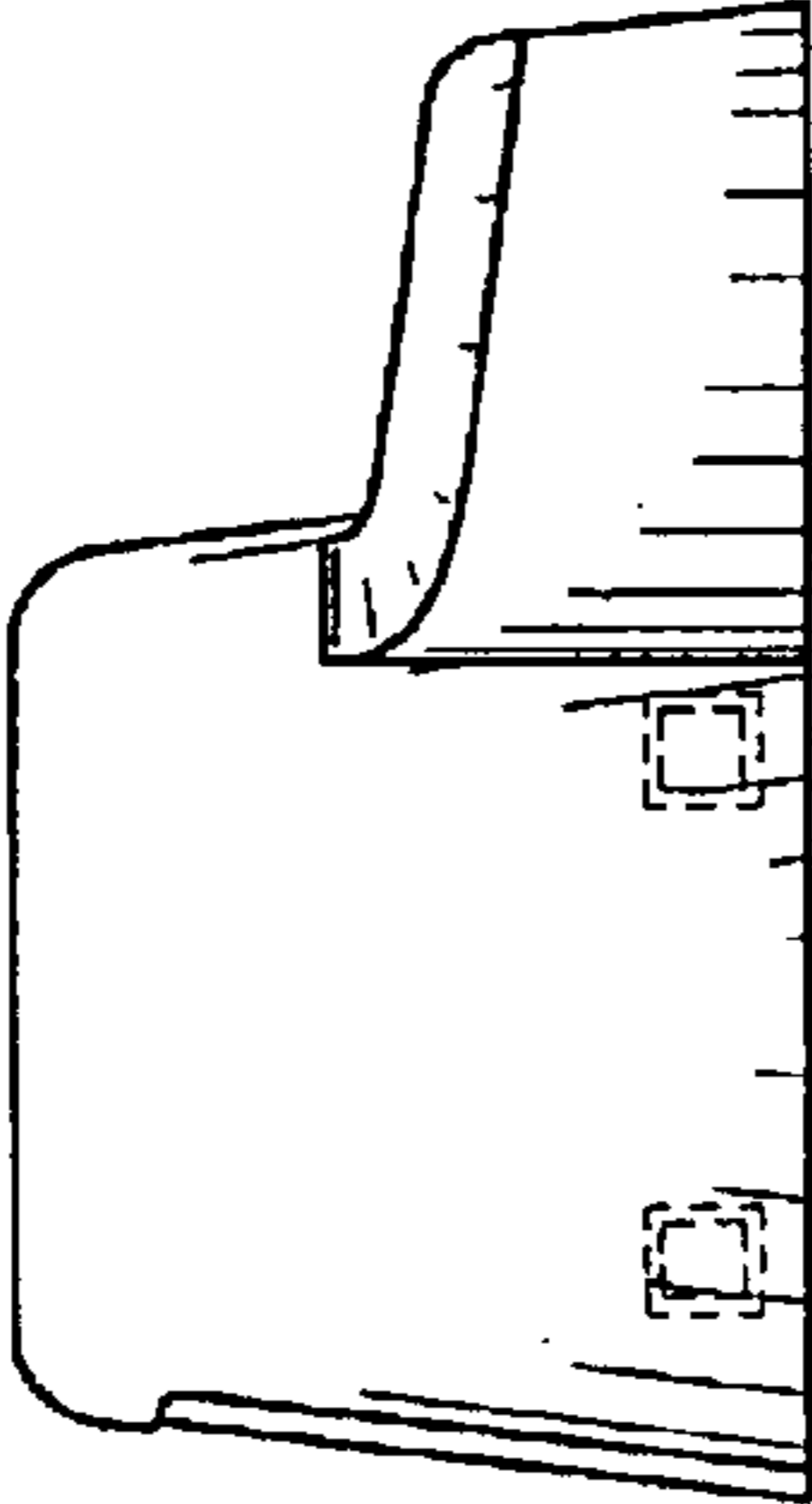


FIG. 14

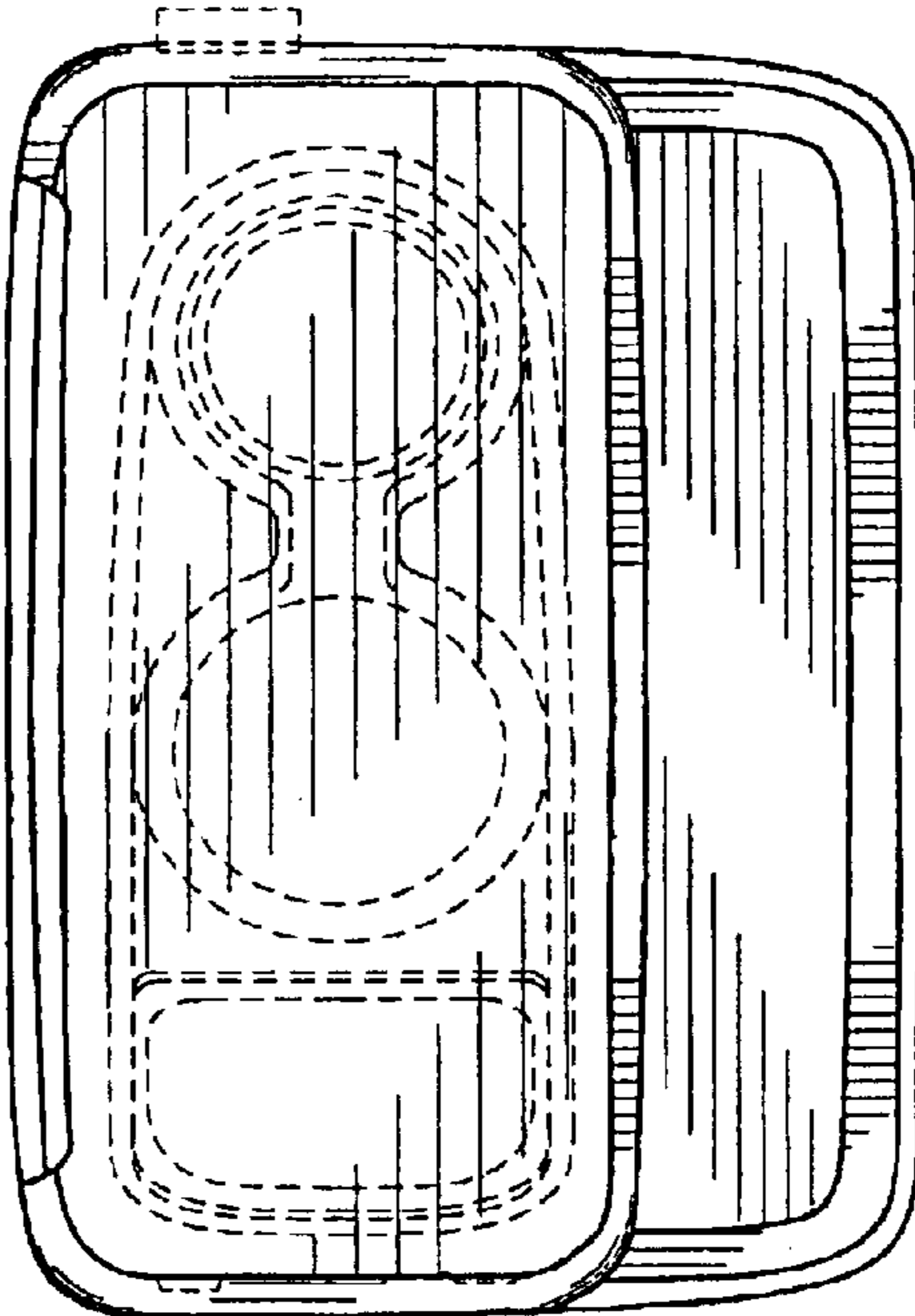


FIG. 15

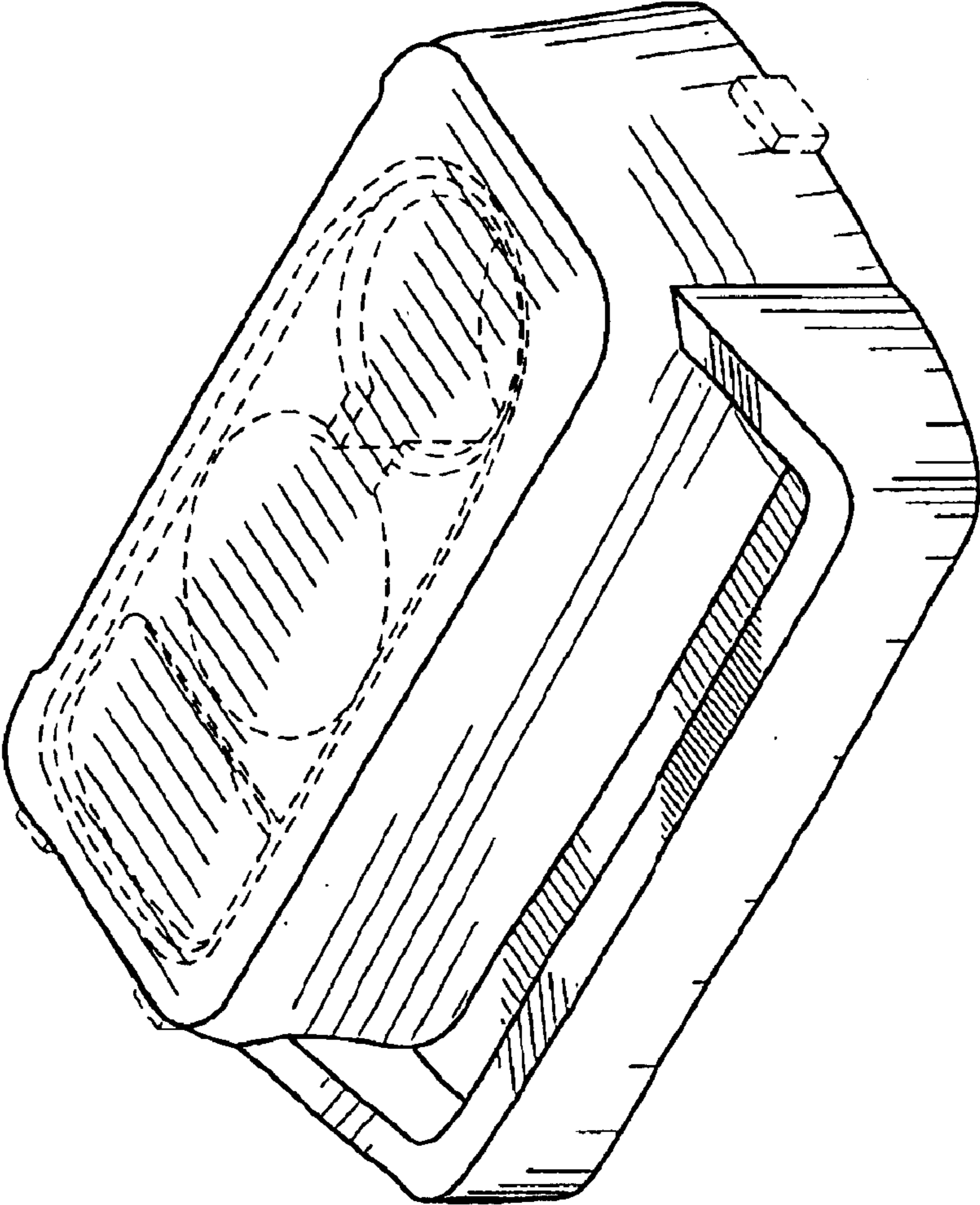


FIG. 16

