

US00D493764S1

(12) **United States Design Patent**
Sulahian

(10) **Patent No.:** **US D493,764 S**

(45) **Date of Patent:** **** Aug. 3, 2004**

(54) **FRONT FACE OF A VEHICLE WHEEL**

(76) **Inventor:** **Diko Sulahian**, 12717 Ann St., Santa Fe Springs, CA (US) 90670

(**) **Term:** **14 Years**

(21) **Appl. No.:** **29/192,205**

(22) **Filed:** **Oct. 22, 2003**

(51) **LOC (7) Cl.** **12-16**

(52) **U.S. Cl.** **D12/211**

(58) **Field of Search** **D12/204-213;**
301/37.101, 64.101, 65

D466,854 S	*	12/2002	Kern	D12/211
D471,504 S	*	3/2003	Laengerer	D12/211
D473,836 S	*	4/2003	Laengerer	D12/211
D477,558 S	*	7/2003	Brintouch	D12/211
D479,178 S	*	9/2003	Lai	D12/211

* cited by examiner

Primary Examiner—Stacia Cadmus

(74) *Attorney, Agent, or Firm*—Nixon & Vanderhye P.C.

(57) **CLAIM**

The ornamental design for a front face of a vehicle wheel, as shown and described.

DESCRIPTION

FIG. 1 is a front view of a wheel showing my new design; FIG. 2 is a bottom and front side perspective view of the wheel shown in FIG. 1; and,

FIG. 3 is a different left and front side perspective view of the wheel shown in FIG. 1.

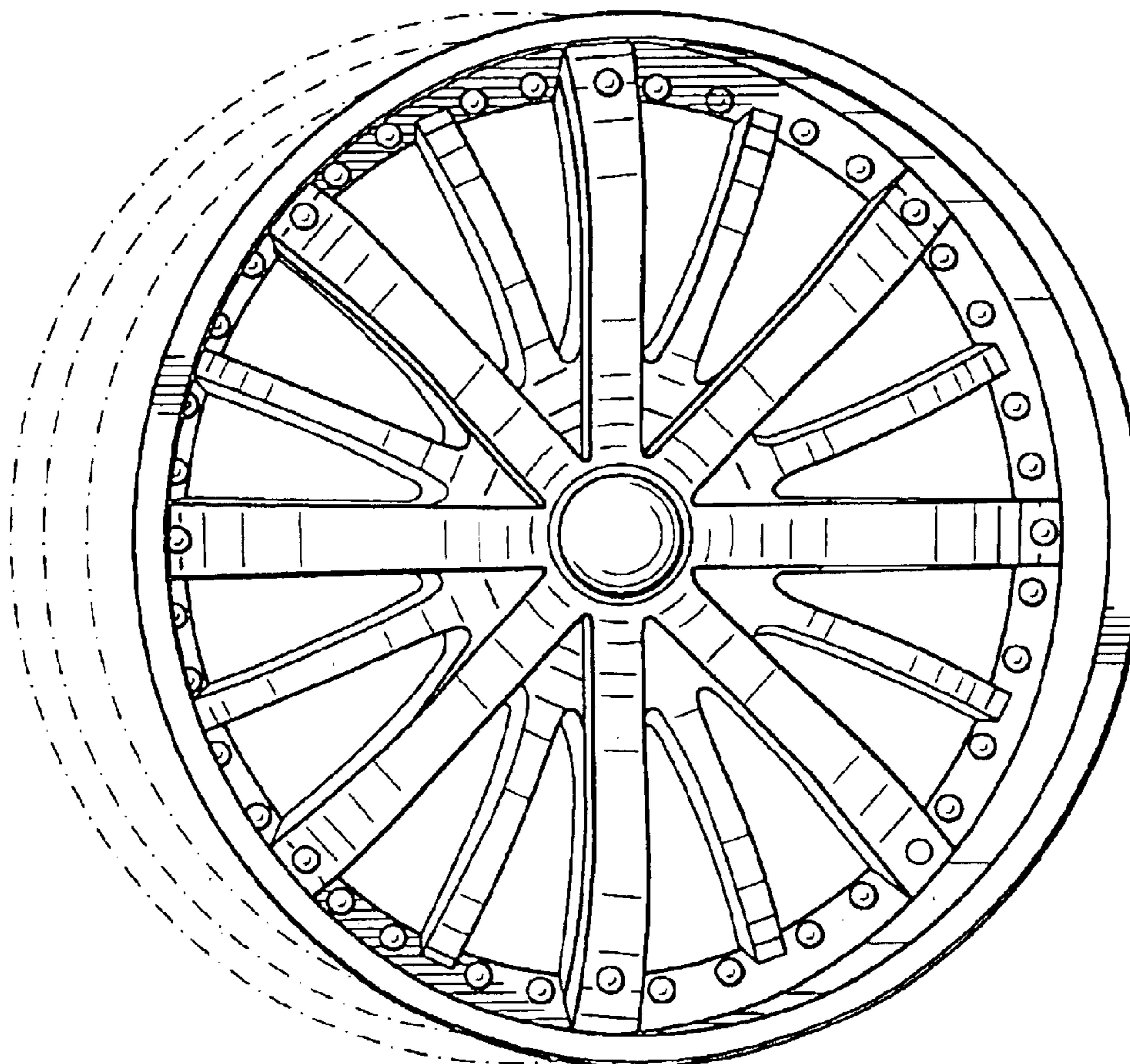
Where included, broken lines showing environment or structure are for illustrative purposes only and form no part of the claimed design.

1 Claim, 3 Drawing Sheets

(56) **References Cited**

U.S. PATENT DOCUMENTS

D402,951 S	*	12/1998	Wechner	D12/211
D414,454 S	*	9/1999	Chung	D12/211
D415,094 S	*	10/1999	Neeper	D12/211
D421,953 S	*	3/2000	Sims et al.	D12/211
D432,071 S	*	10/2000	Brown	D12/211
D450,649 S	*	11/2001	Penzes	D12/211
D451,067 S	*	11/2001	Frizzi	D12/211
D466,851 S	*	12/2002	Pfeiffer et al.	D12/211



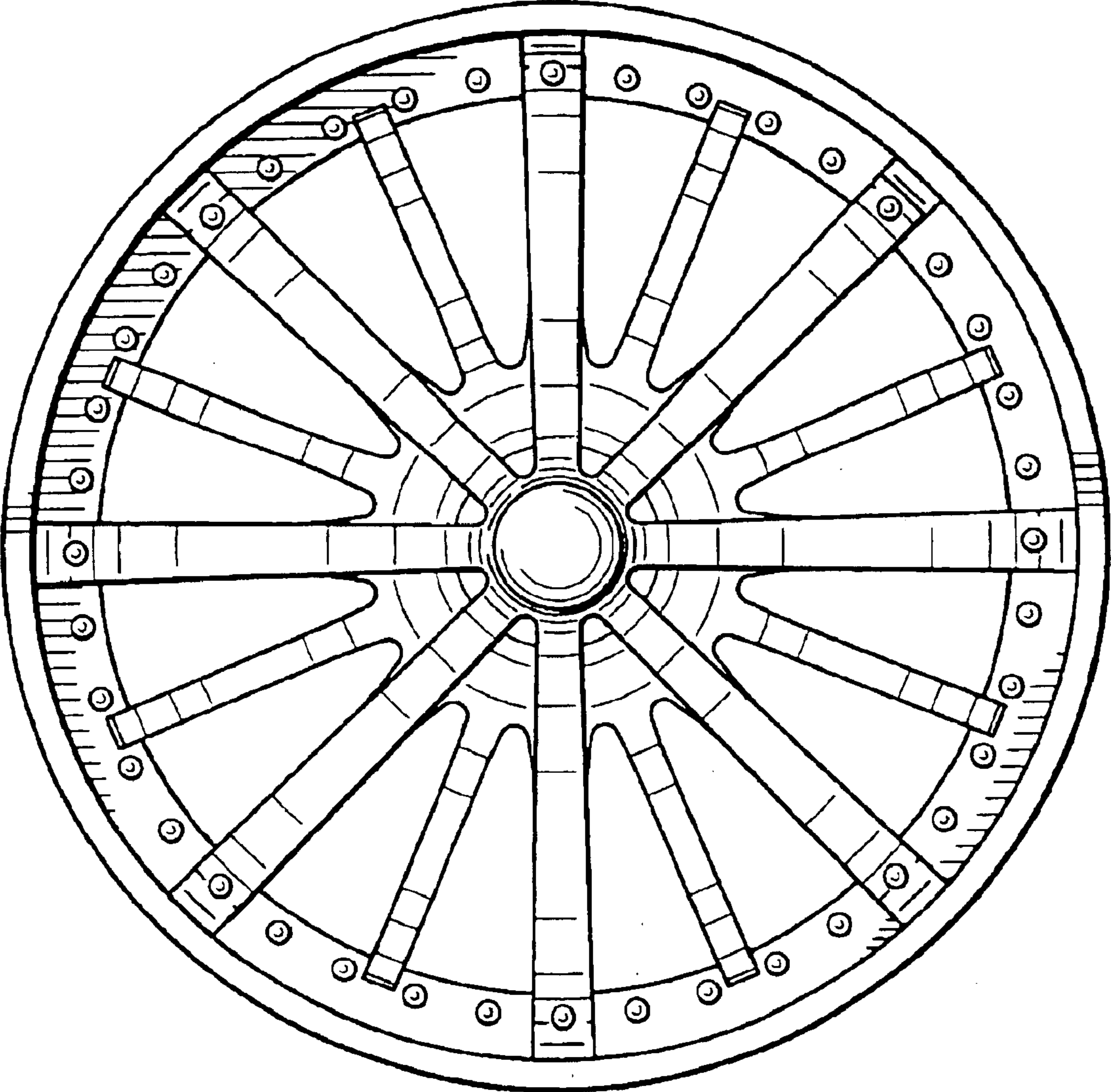


Fig. 1

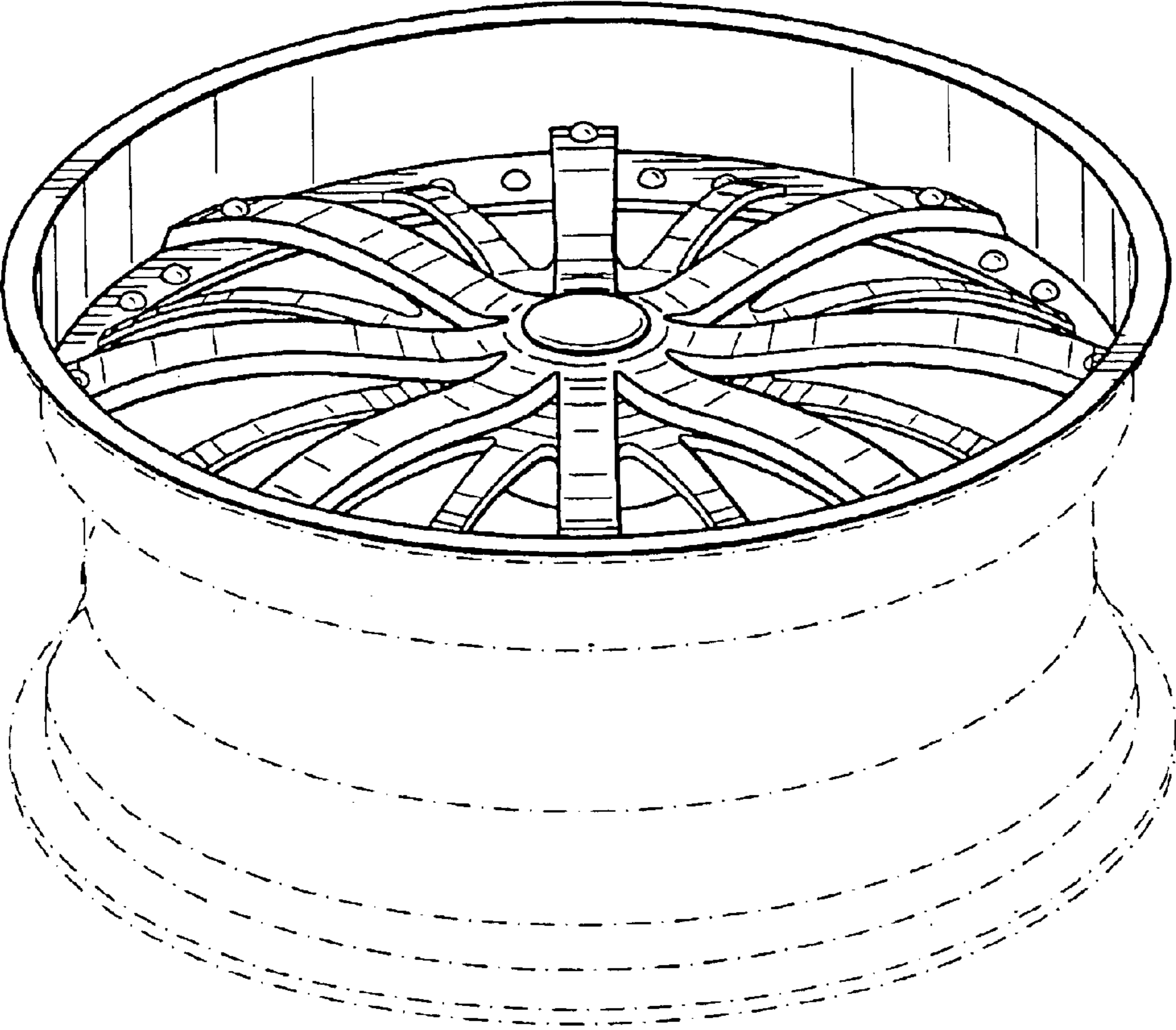


Fig. 2

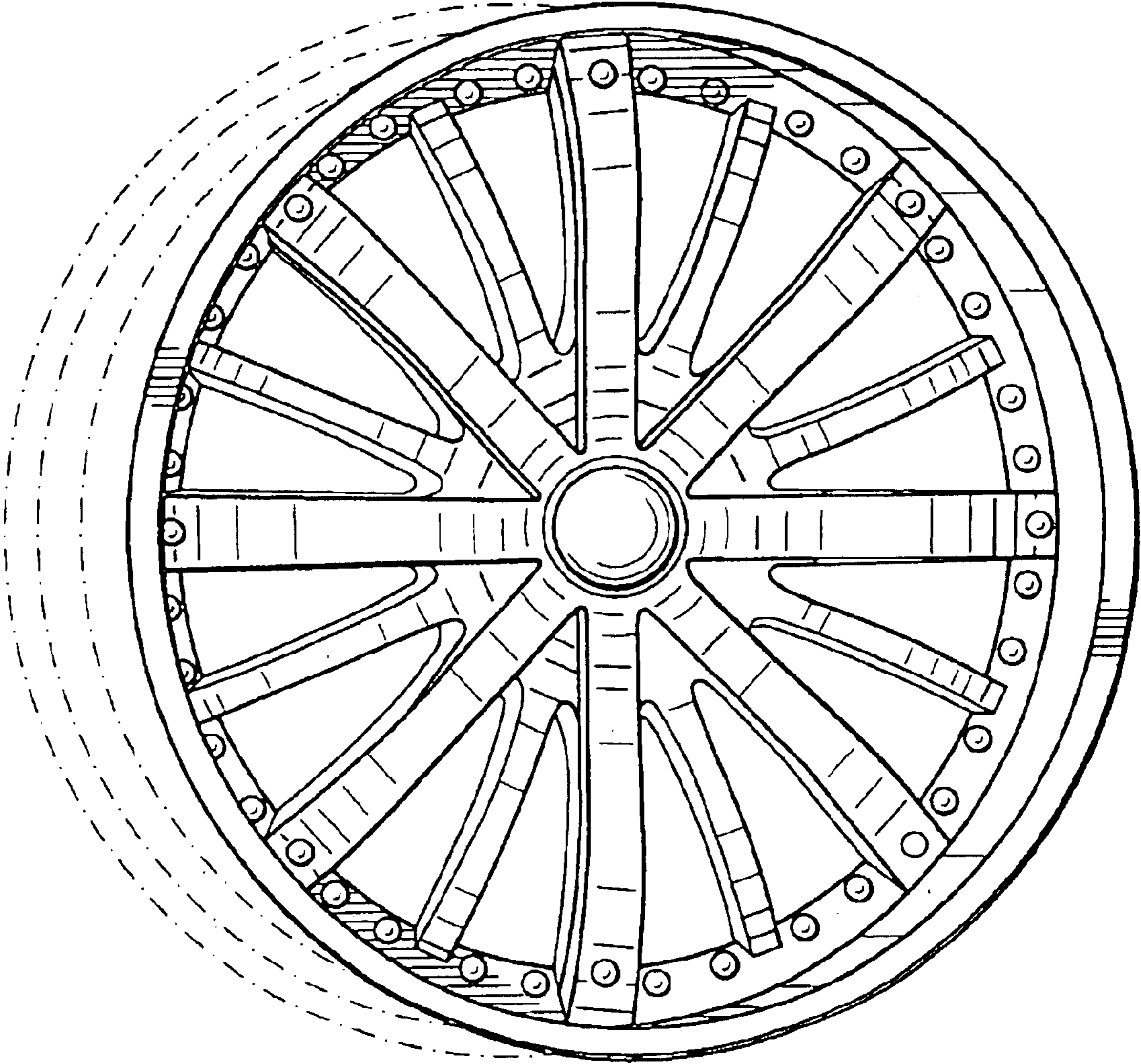


Fig. 3