

US00D493756S1

(12) **United States Design Patent**
Yamamoto et al.

(10) **Patent No.:** **US D493,756 S**
(45) **Date of Patent:** **** Aug. 3, 2004**

(54) **INSTRUMENT PANEL FOR AN
AUTOMOBILE**
(75) Inventors: **Hiroyuki Yamamoto, Saitama (JP);
Takahiro Hoshino, Saitama (JP)**

D439,211 S * 3/2001 Pfeiffer D12/192
D440,193 S * 4/2001 Pfeiffer D12/192
D449,263 S * 10/2001 Yamazaki et al. D12/192
D455,691 S * 4/2002 Okonkwo D12/192
D469,391 S * 1/2003 Pfeiffer et al. D12/192
D470,809 S * 2/2003 Asahi et al. D12/192

(73) Assignee: **Honda Giken Kogyo Kabushiki
Kaisha, Tokyo (JP)**

FOREIGN PATENT DOCUMENTS

(**) Term: **14 Years**

JP D1102037 2/2001
JP D1104395 3/2001

(21) Appl. No.: **29/183,004**

* cited by examiner

(22) Filed: **Jun. 5, 2003**

Primary Examiner—Stacia Cadmus
(74) *Attorney, Agent, or Firm*—Westerman, Hattori,
Daniels & Adrian LLP

(30) **Foreign Application Priority Data**

Dec. 16, 2002 (JP) 2002-034797

(57) **CLAIM**

(51) **LOC (7) Cl.** **12-16**

The ornamental design for an instrument panel for an
automobile, as shown and described.

(52) **U.S. Cl.** **D12/192**

(58) **Field of Search** D12/192, 400,
D12/415; 180/90; 280/750-752; 296/70,
190-191

DESCRIPTION

(56) **References Cited**

U.S. PATENT DOCUMENTS

D389,798 S * 1/1998 Ma et al. D12/192
D403,641 S * 1/1999 Sacco et al. D12/192
D405,408 S * 2/1999 Yoshida et al. D12/192
D413,095 S * 8/1999 Abalos et al. D12/192
D419,936 S * 2/2000 Sacco et al. D12/192
D423,434 S * 4/2000 Yano et al. D12/192
D432,474 S * 10/2000 Sacco et al. D12/192

FIG. 1 is a front elevation view of instrument panel for an
automobile, showing our new design;
FIG. 2 is a rear elevation view thereof;
FIG. 3 is a top plan view thereof;
FIG. 4 is a bottom plan view thereof;
FIG. 5 is a right side elevation view thereof;
FIG. 6 is a left side elevation view thereof;
FIG. 7 is a perspective view thereof; and,
FIG. 8 is another perspective view thereof.

1 Claim, 4 Drawing Sheets

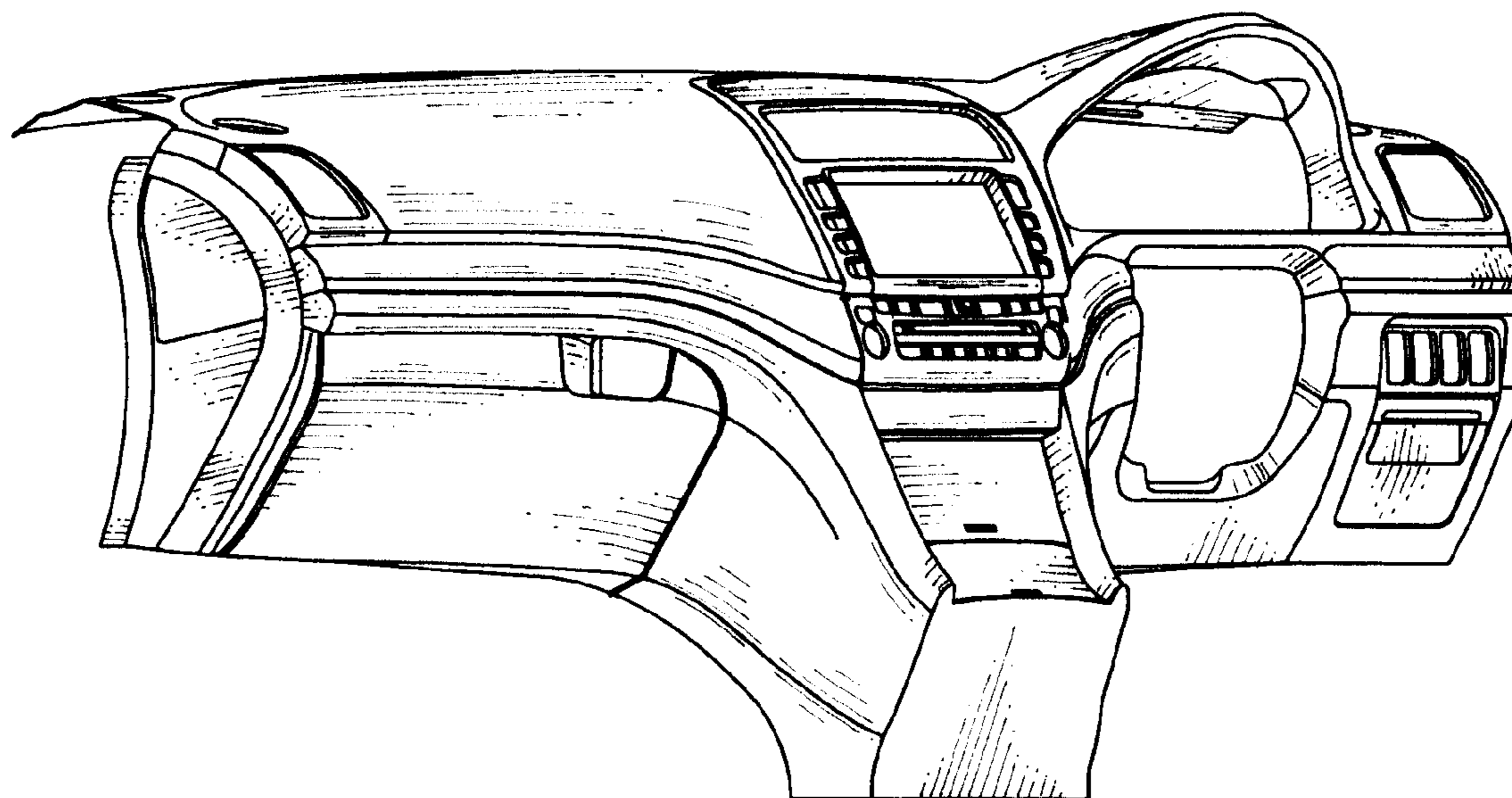


FIG. 1

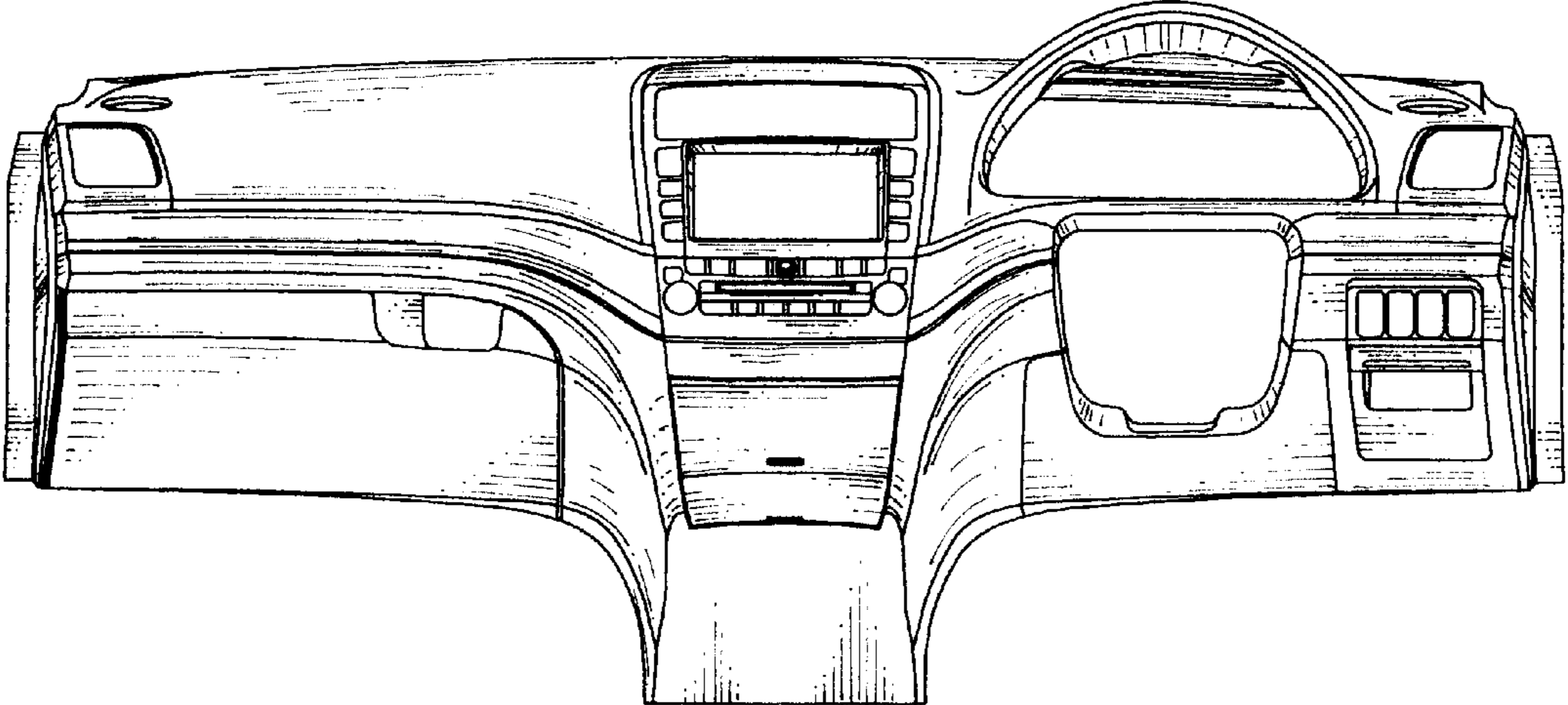


FIG. 2

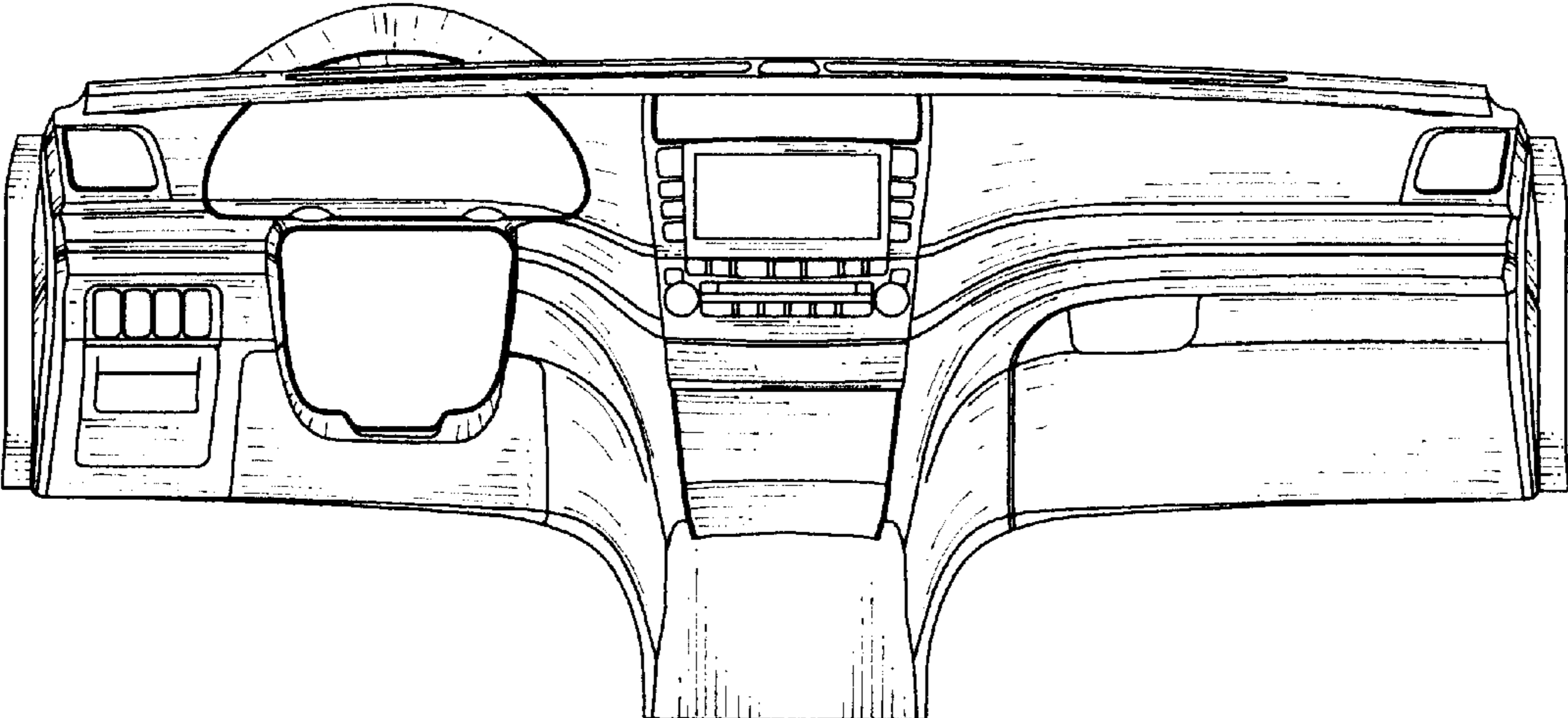


FIG. 3

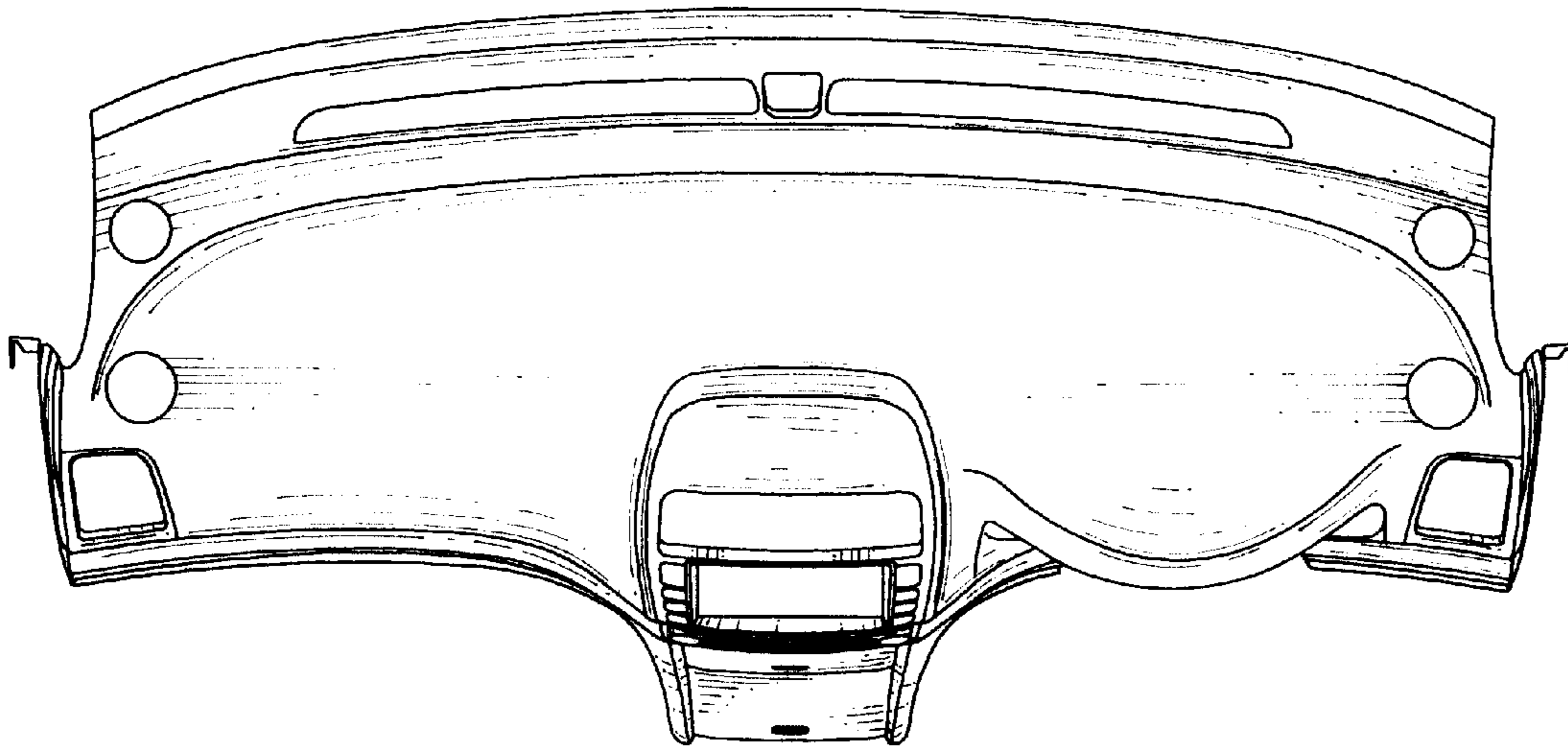


FIG. 4

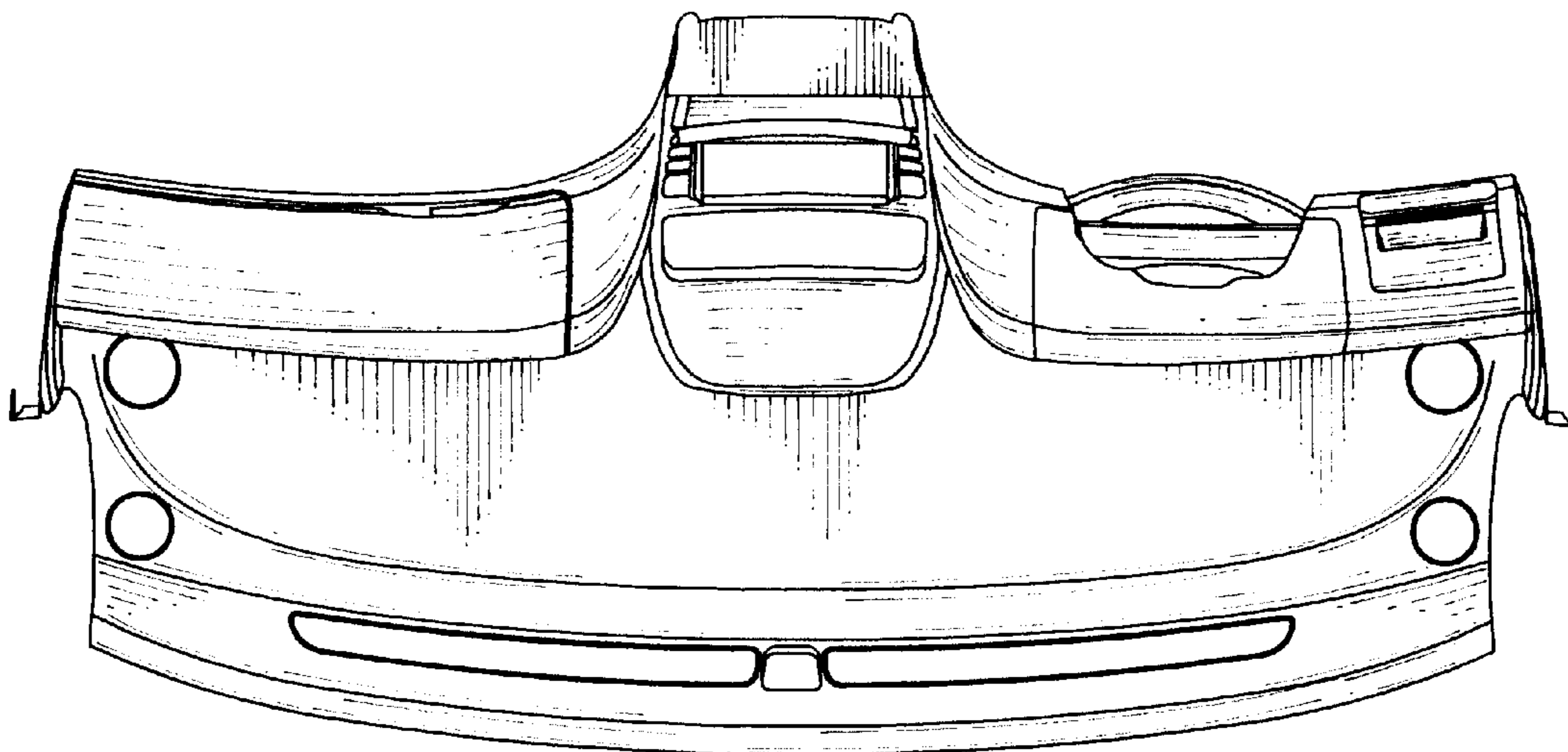


FIG. 5

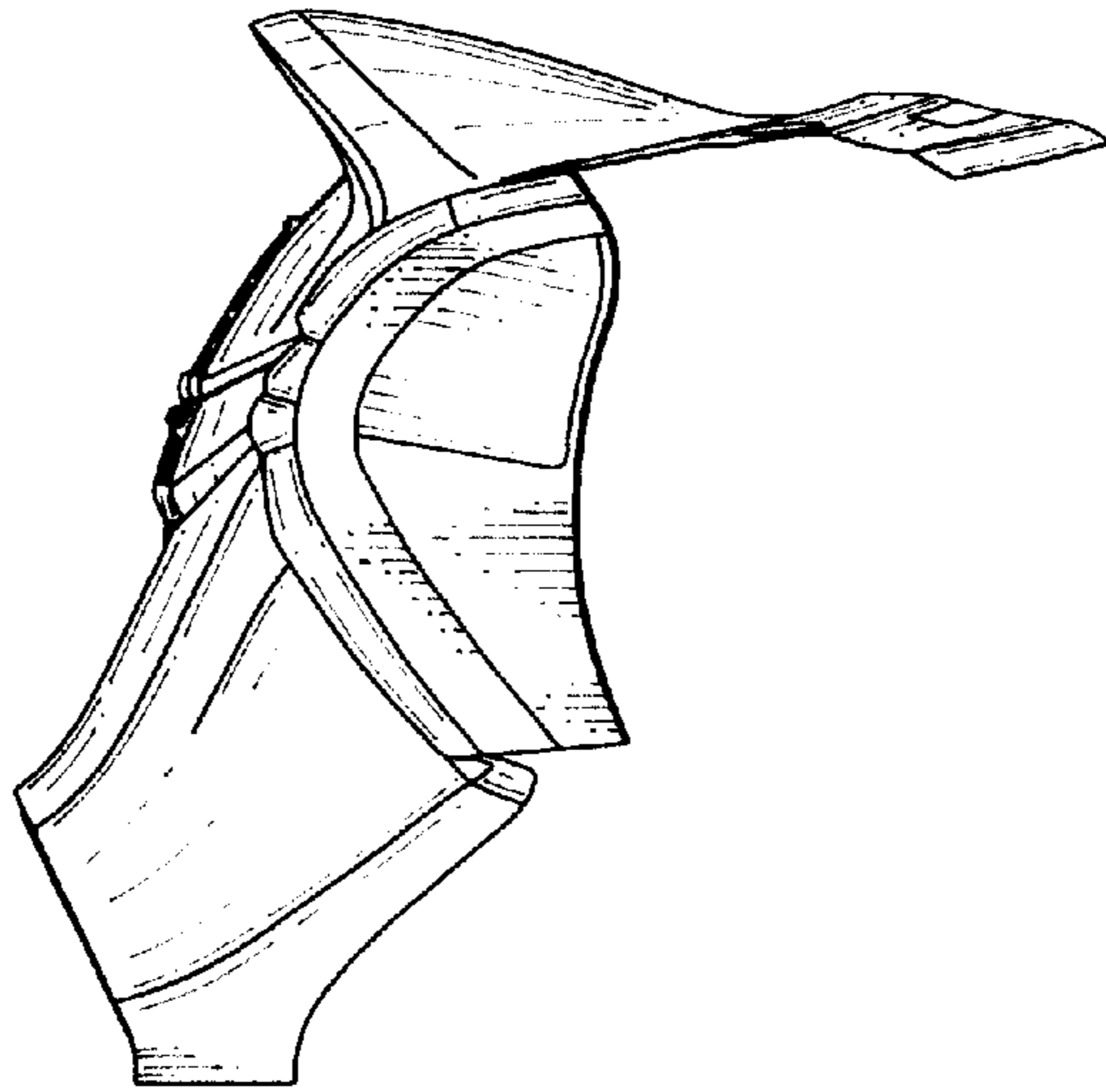


FIG. 6

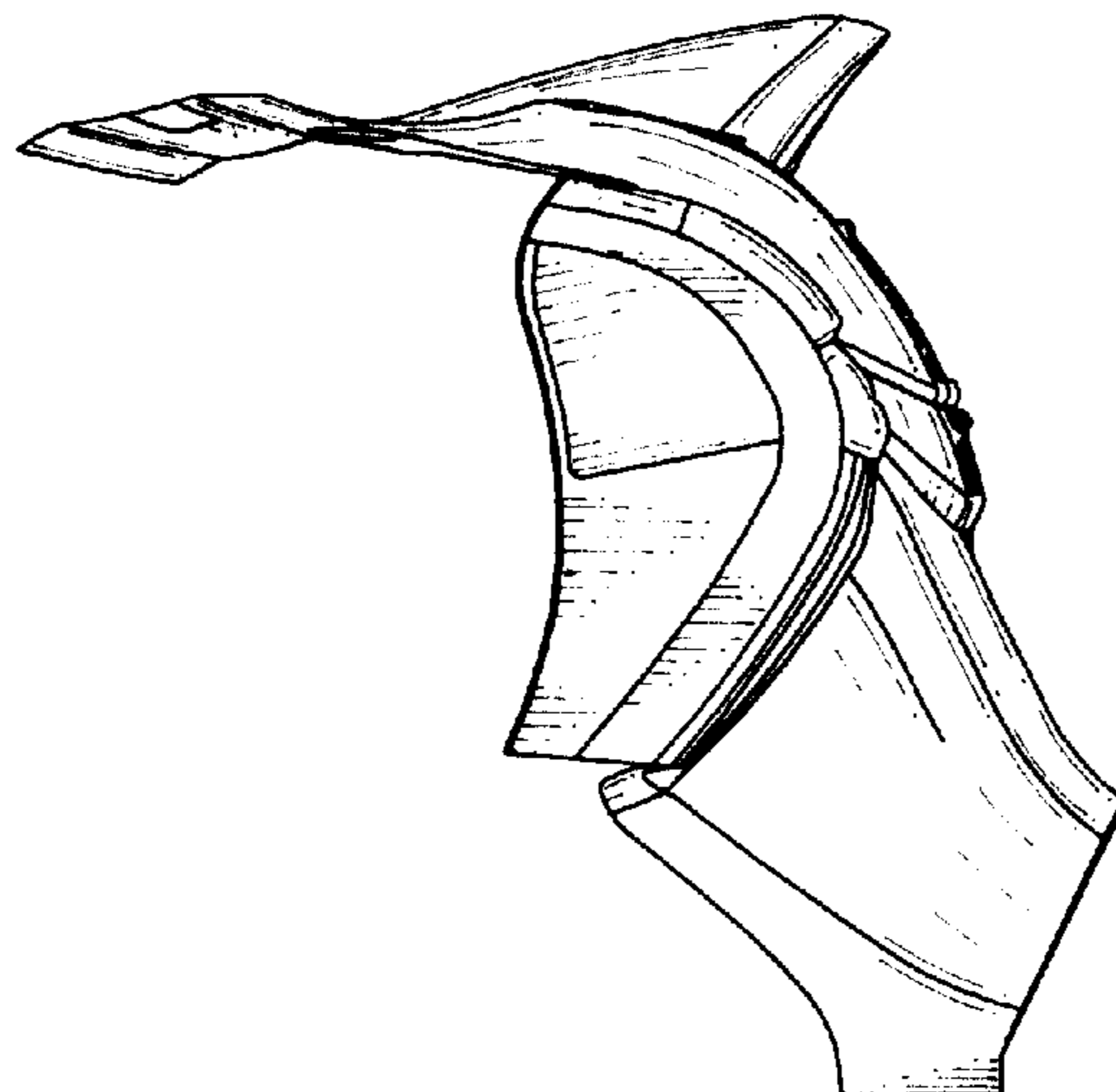


FIG. 7

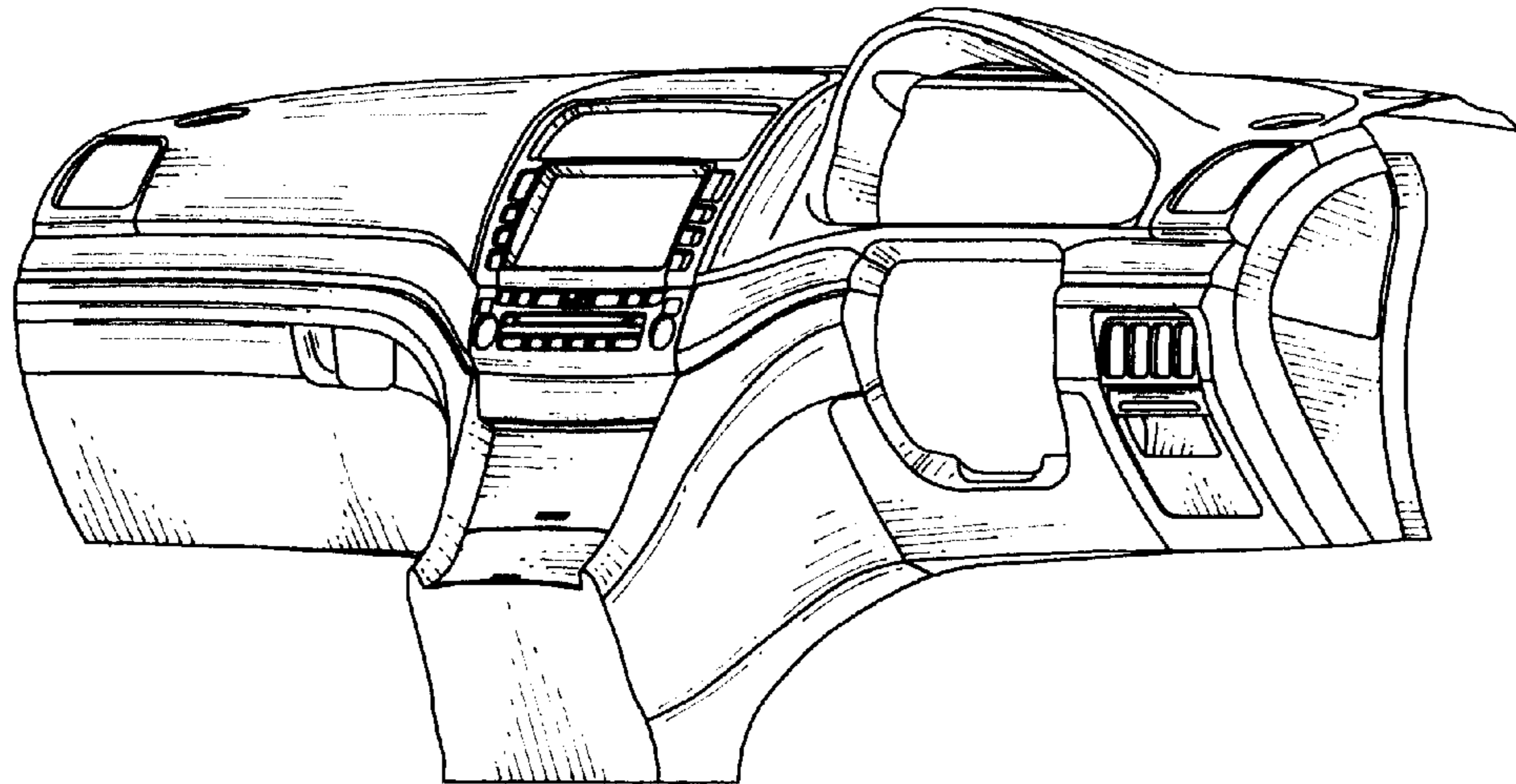


FIG. 8

