

US00D493749S1

(12) **United States Design Patent** (10) **Patent No.:** **US D493,749 S**
Duncan (45) **Date of Patent:** **** Aug. 3, 2004**

(54) **GOLF CART SPORT BODY REAR END**

Primary Examiner—Nelson C. Holtje
(74) *Attorney, Agent, or Firm*—Dougherty, Clements,
Hofer & Bernard

(76) **Inventor:** **Gary Duncan**, 402 S. College St.,
Dallas, NC (US) 28034-2310

(**) **Term:** **14 Years**

(57) **CLAIM**

(21) **Appl. No.:** **29/189,894**

The ornamental design for a golf cart sport body rear end, as shown and described.

(22) **Filed:** **Sep. 8, 2003**

(51) **LOC (7) Cl.** **12-14**

(52) **U.S. Cl.** **D12/16**

(58) **Field of Search** D12/1, 14-16;
180/908, 233; 280/DIG. 5; 296/183-186

DESCRIPTION

(56) **References Cited**

U.S. PATENT DOCUMENTS

| | | | | | | |
|-----------|---|---|---------|-----------------|-------|------------|
| 2,822,969 | A | * | 2/1958 | Cooper | | 280/DIG. 5 |
| 4,042,054 | A | * | 8/1977 | Ward | | 180/60 |
| 4,930,591 | A | * | 6/1990 | Lanius et al. | | 180/65.1 |
| D373,099 | S | * | 8/1996 | Molzon et al. | | D12/16 |
| 5,836,412 | A | * | 11/1998 | Lyles et al. | | 180/65.1 |
| D425,825 | S | * | 5/2000 | Shambeau et al. | | D12/93 |
| 6,119,800 | A | * | 9/2000 | McComber | | 180/65.7 |
| D474,717 | S | * | 5/2003 | Weber et al. | | D12/93 |

FIG. 1 is a perspective view of a golf cart with the invented golf cart sport body rear end thereon, showing the new rear end design.

FIG. 2 is a front elevational view of the golf cart body rear end;

FIG. 3 is a left side elevational view thereof; the right side elevational view being a mirror image thereof;

FIG. 4 is a rear elevational view thereof;

FIG. 5 is a bottom view thereof; and,

FIG. 6 is a top view thereof.

The broken line showings of the rest of the cart body are for illustrative purposes only and form no part of the claimed design.

* cited by examiner

1 Claim, 3 Drawing Sheets

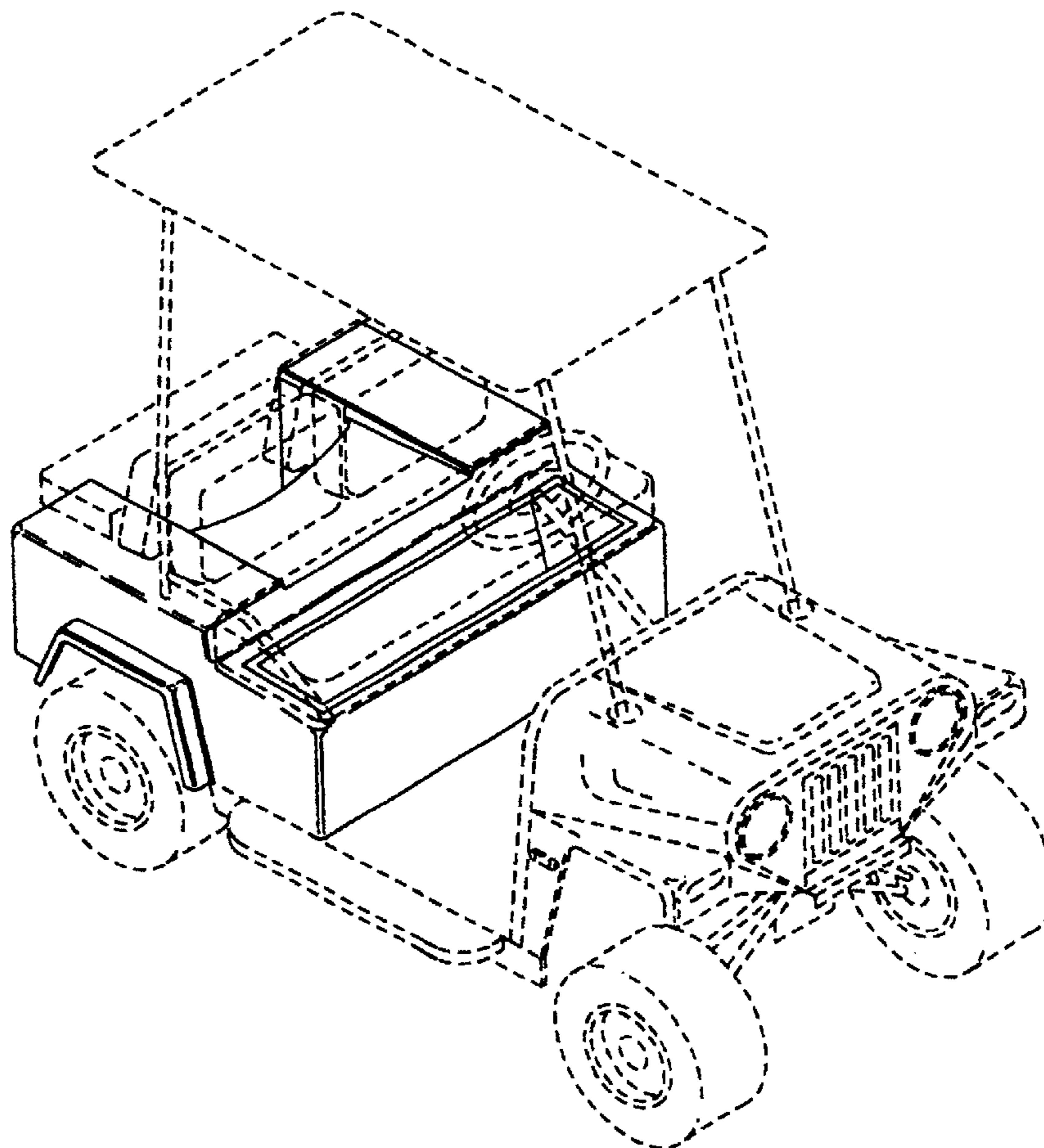


Fig. 1

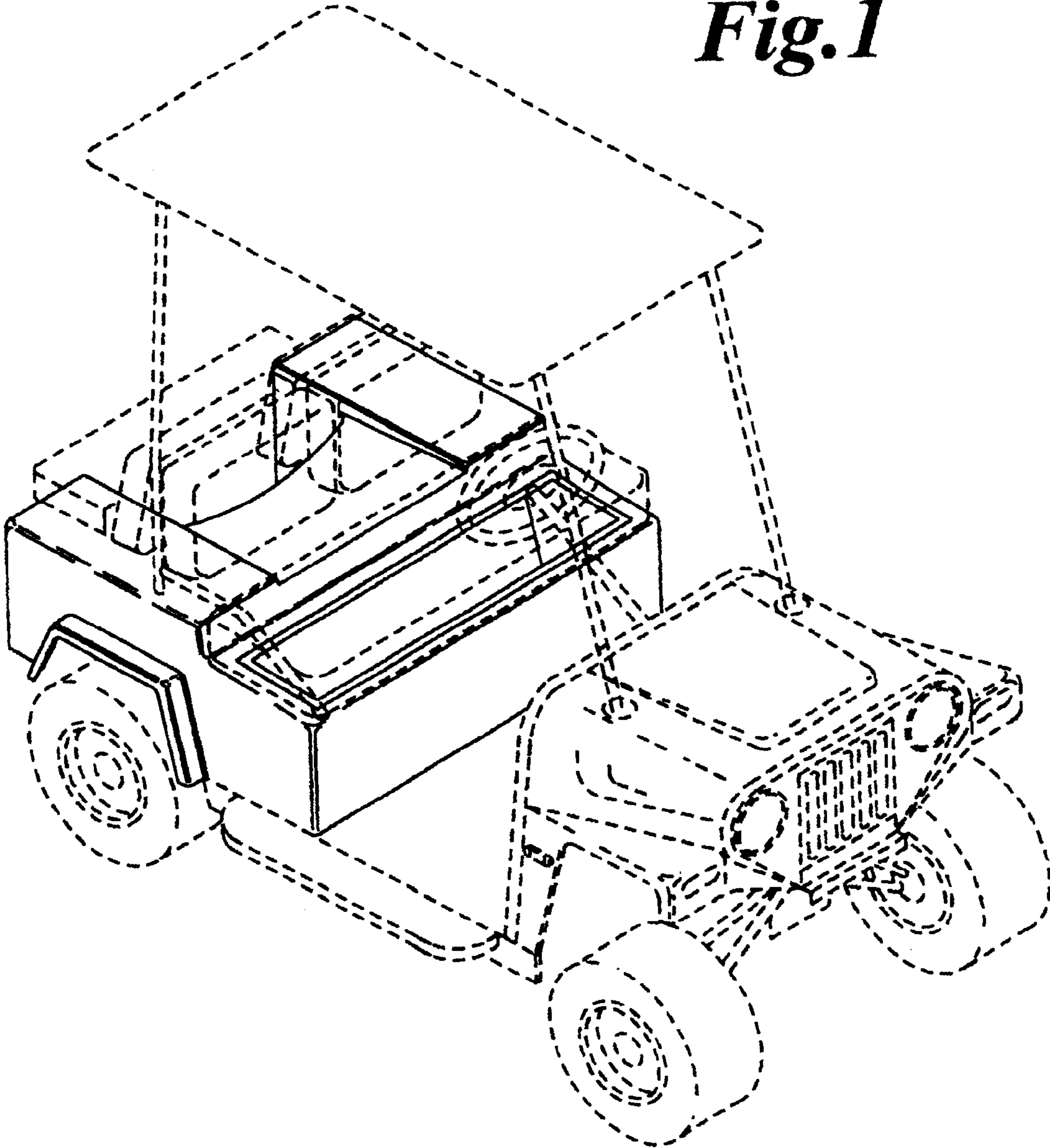


Fig. 2

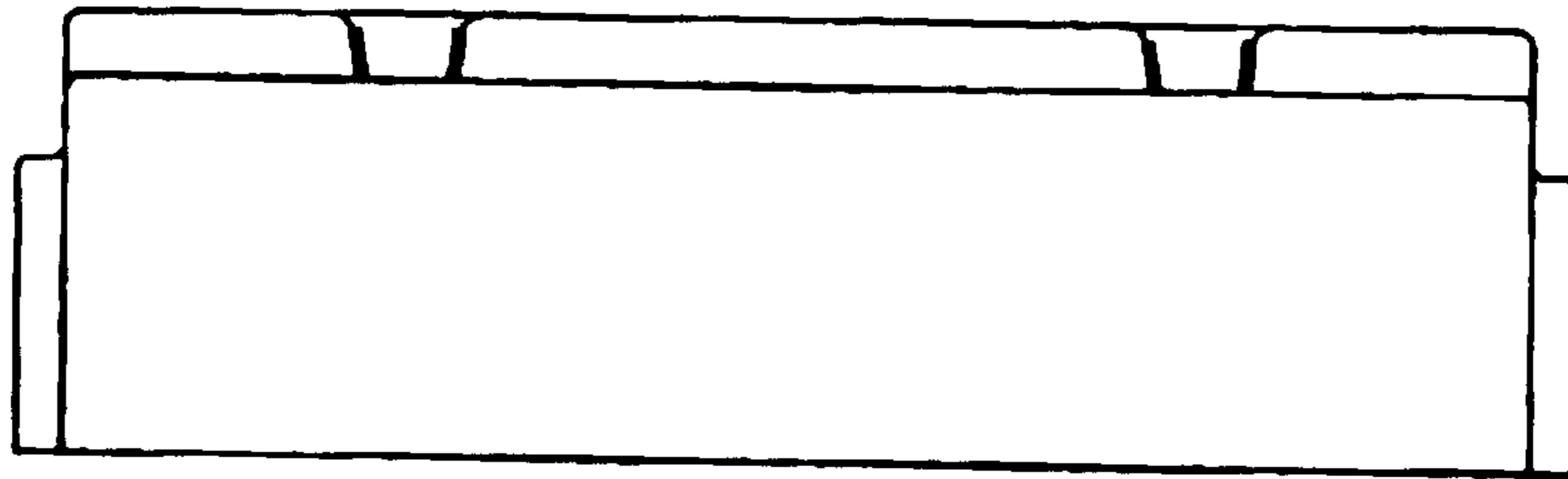


Fig. 3

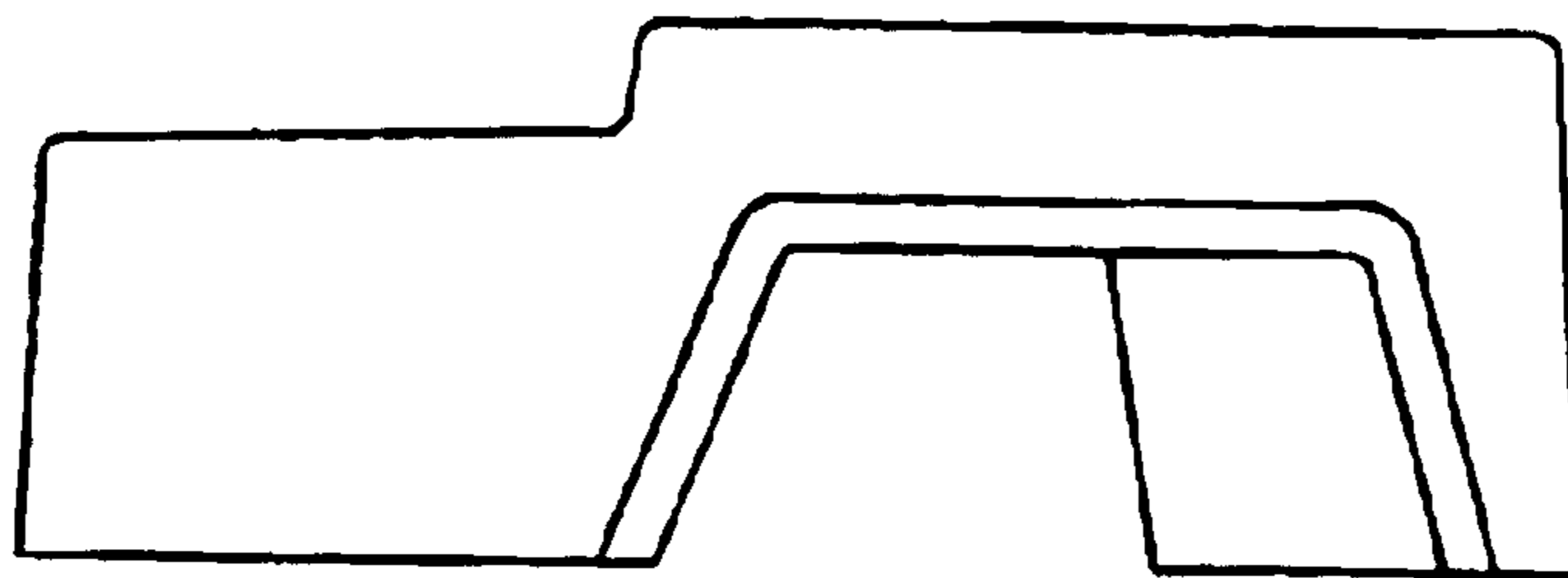


Fig. 4

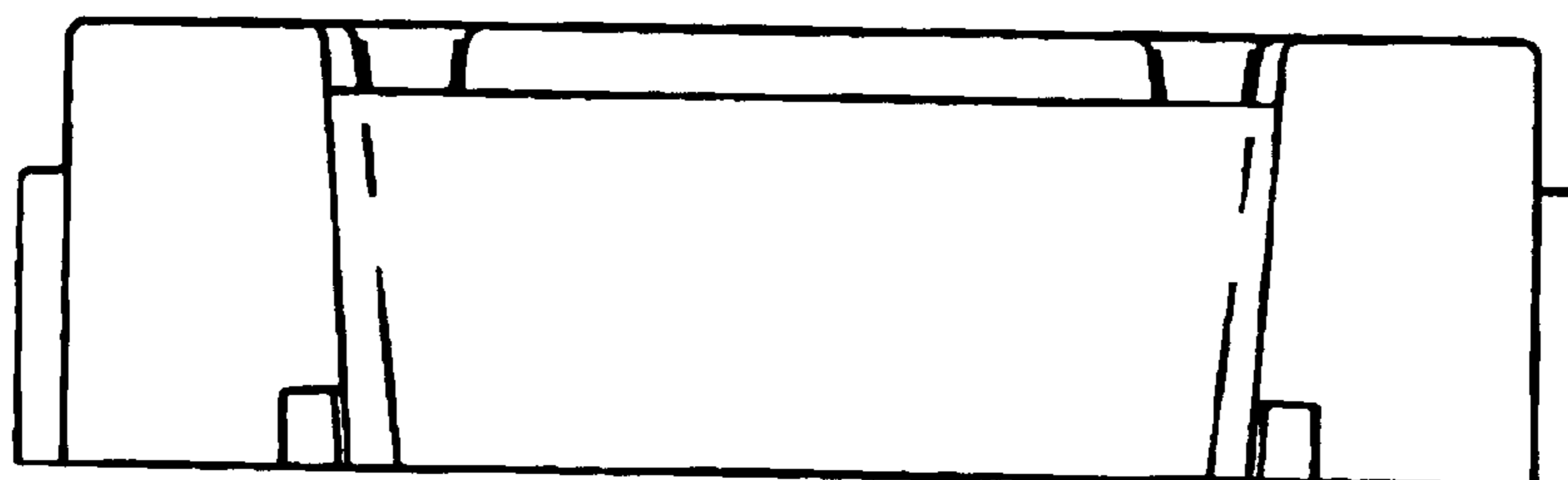


Fig. 6

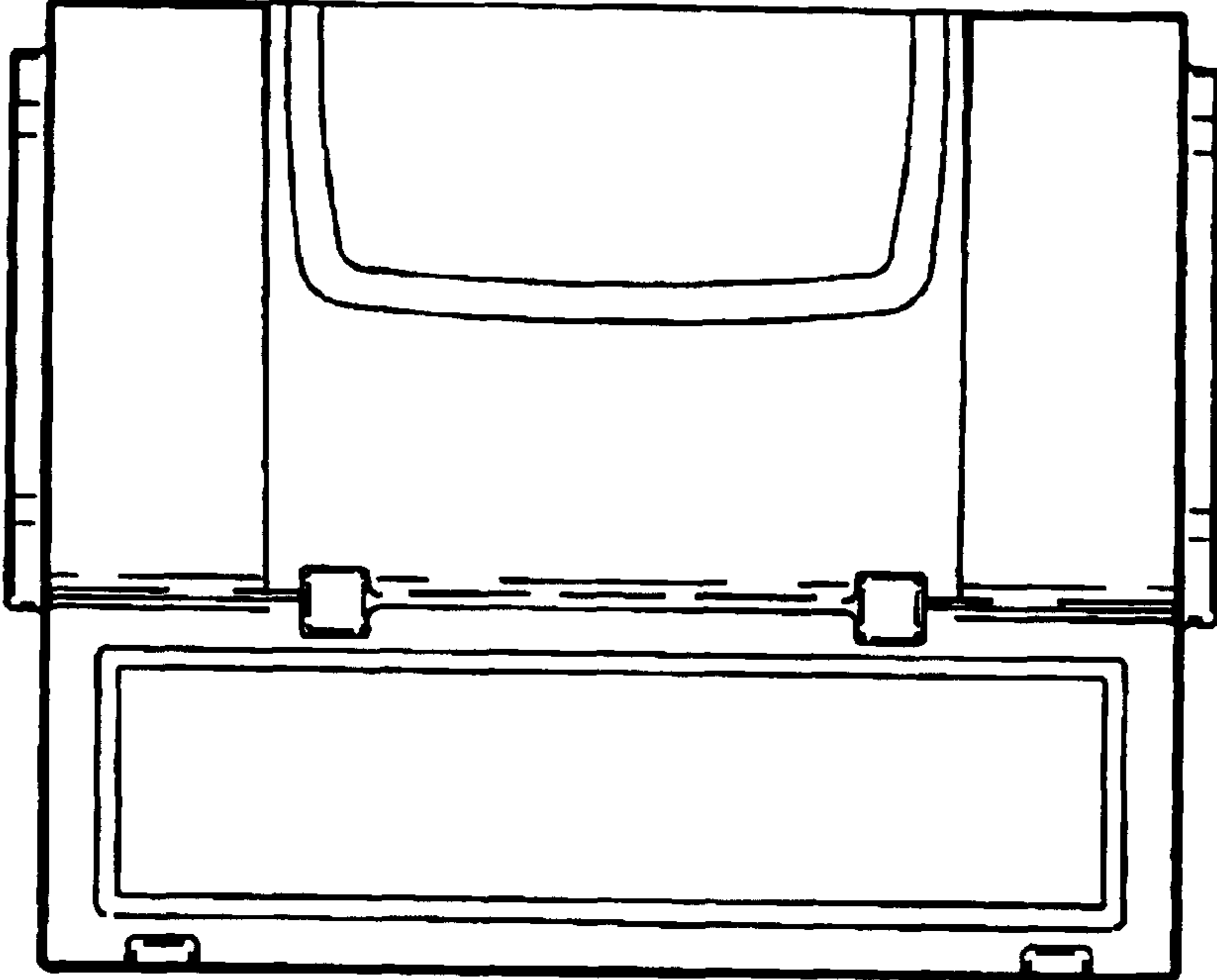


Fig. 5

