

US00D493748S1

(12) **United States Design Patent**
Witte et al.

(10) **Patent No.: US D493,748 S**

(45) **Date of Patent: ** Aug. 3, 2004**

(54) **SLEDGE**

(75) Inventors: **Jan Witte**, Amsterdam (NL);
Janwillem Bouwknecht, Leiden (NL)

(73) Assignee: **Hamax A/S**, Krakerøy (NO)

(**) Term: **14 Years**

(21) Appl. No.: **29/187,300**

(22) Filed: **Jul. 30, 2003**

(30) **Foreign Application Priority Data**

Jan. 31, 2003 (DE) 4 03 00 899

(51) **LOC (7) Cl.** **12-14**

(52) **U.S. Cl.** **D12/10**

(58) **Field of Search** D12/6, 8-10, 307;
D21/767; 280/8, 16, 21 R, 21.01; 441/72

(56) **References Cited**

U.S. PATENT DOCUMENTS

1,592,419 A	*	7/1926	Campbell	280/16
D148,829 S	*	2/1948	Turner	D12/10
D195,707 S	*	7/1963	Neece	D21/767
D196,209 S	*	9/1963	Vanis	D21/767
3,123,844 A	*	3/1964	Bailey	441/72
D202,362 S	*	9/1965	Asai	D12/10
3,398,970 A	*	8/1968	Horiuchi	280/16
3,519,284 A	*	7/1970	Ryoji	280/16
D220,511 S	*	4/1971	Janos	D12/10
3,588,138 A	*	6/1971	Cerny	280/16

D223,715 S	*	5/1972	Lennox	D12/10
3,900,208 A	*	8/1975	Hjelmquist	280/16
4,063,746 A	*	12/1977	Hansen	280/16
D252,505 S	*	7/1979	Derkach et al.	D12/9
D298,111 S	*	10/1988	Kaptelin et al.	D12/9
D311,358 S	*	10/1990	Dallaire	D12/10

FOREIGN PATENT DOCUMENTS

DE	22 28 840 C3	1/1974
DE	298 13 839 U1	4/1999
WO	WO 01/53140 A1	7/2001

* cited by examiner

Primary Examiner—Nelson C. Holtje

(74) *Attorney, Agent, or Firm*—Leydig Voit & Mayer Ltd

(57) **CLAIM**

The ornamental design for a sledge, as described and shown.

DESCRIPTION

FIG. 1 is a front perspective view showing our new design for a sledge;
 FIG. 2 is a rear perspective view showing our new design for a sledge;
 FIG. 3 is an elevational view showing our new design for a sledge;
 FIG. 4 is a top plan elevational view thereof;
 FIG. 5 is a front elevational view thereof;
 FIG. 6 is a rear elevational view thereof; and,
 FIG. 7 is a bottom plan view thereof.

1 Claim, 7 Drawing Sheets

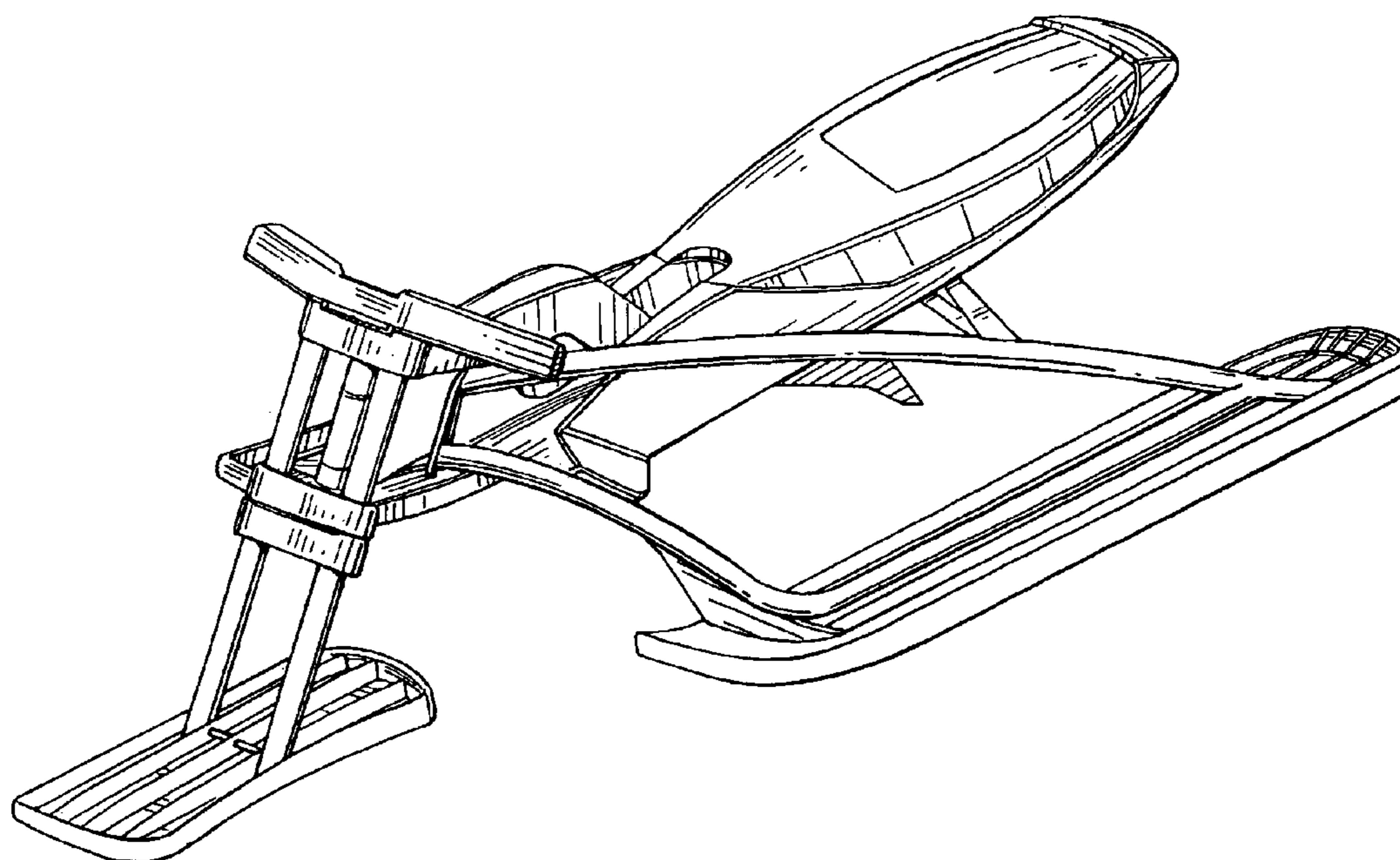


FIG. 1

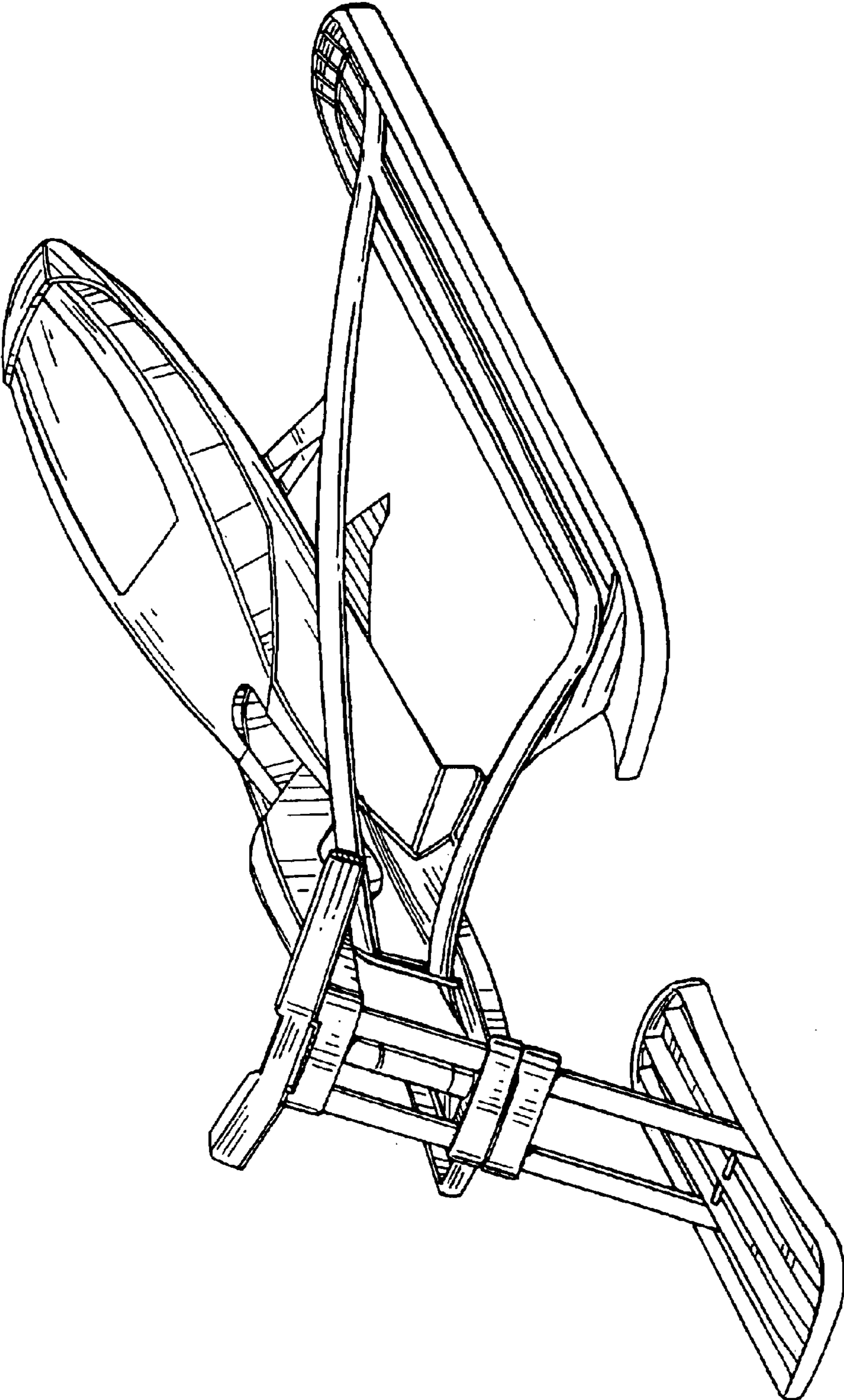


FIG. 2

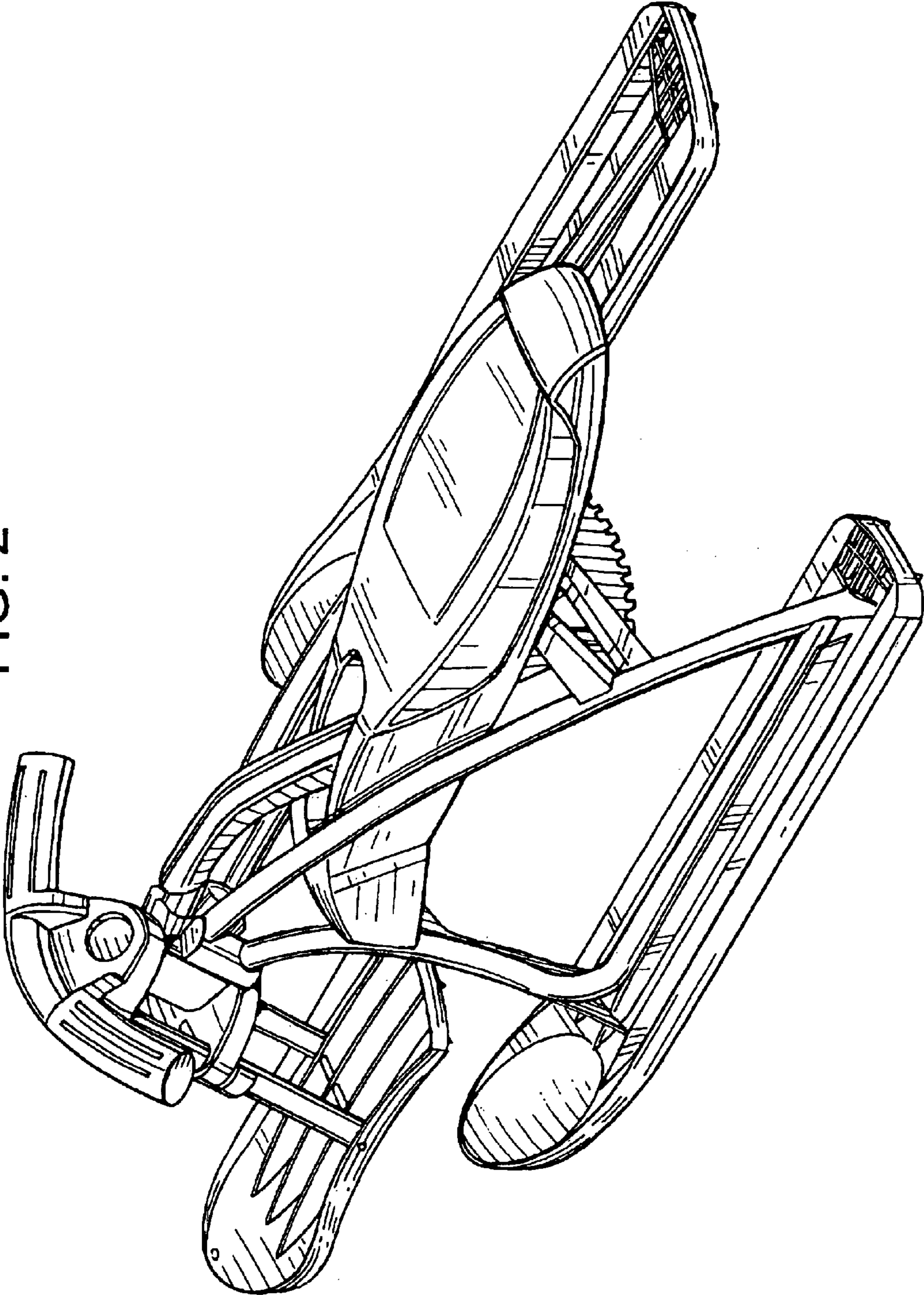


FIG. 3

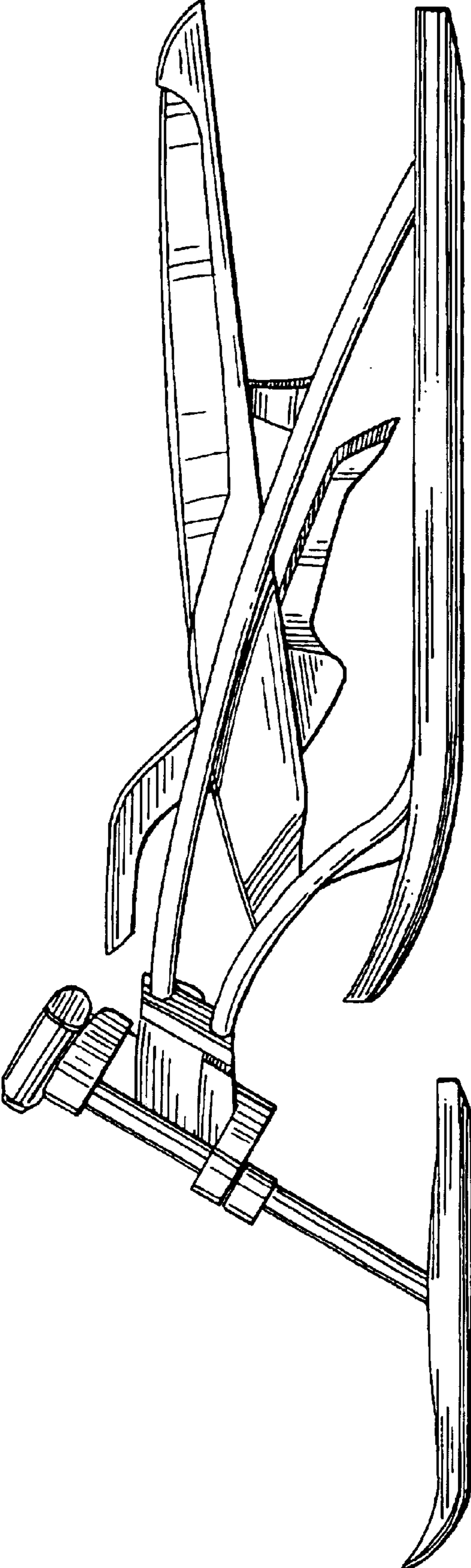


FIG. 4

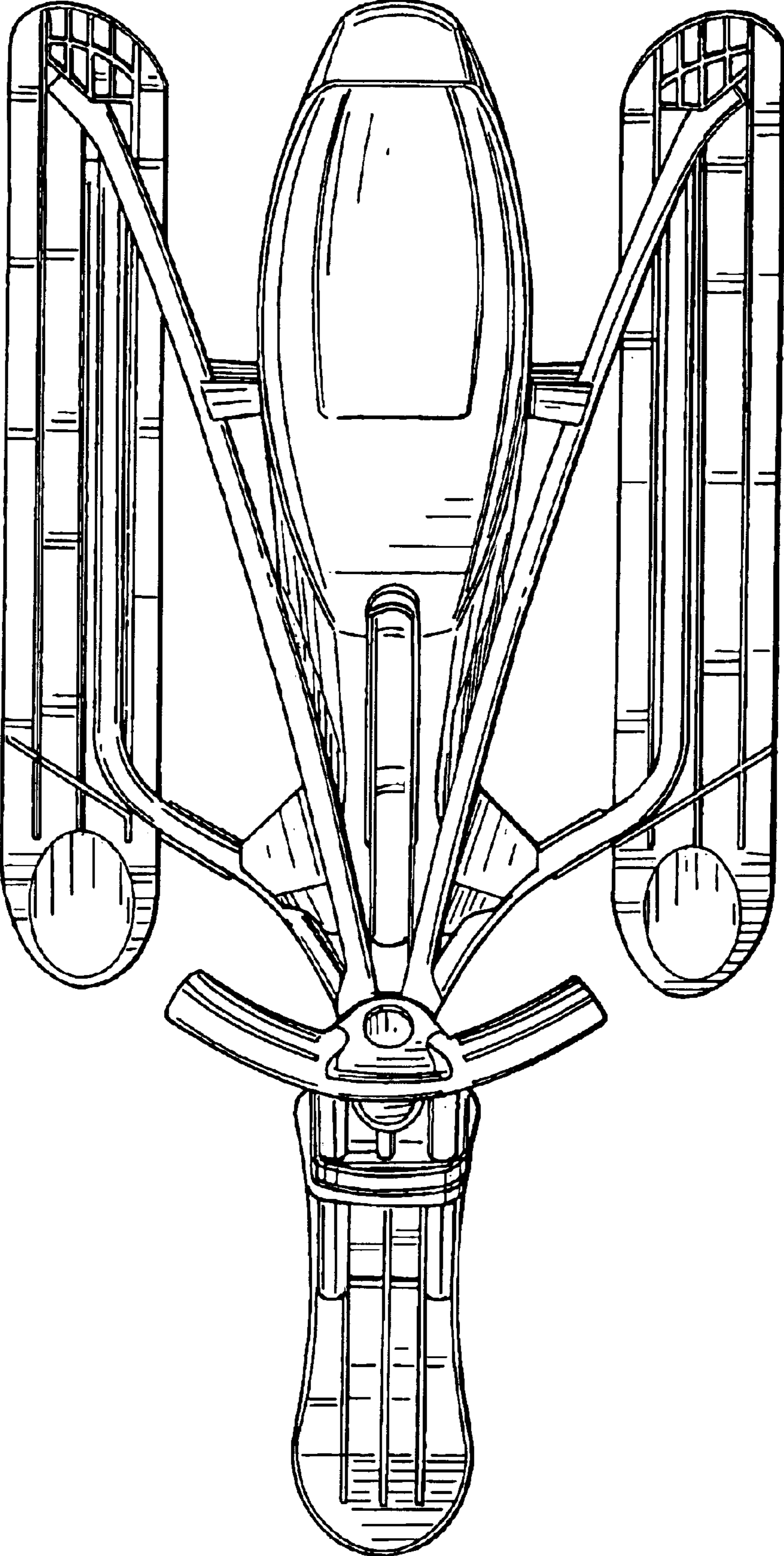


FIG. 5

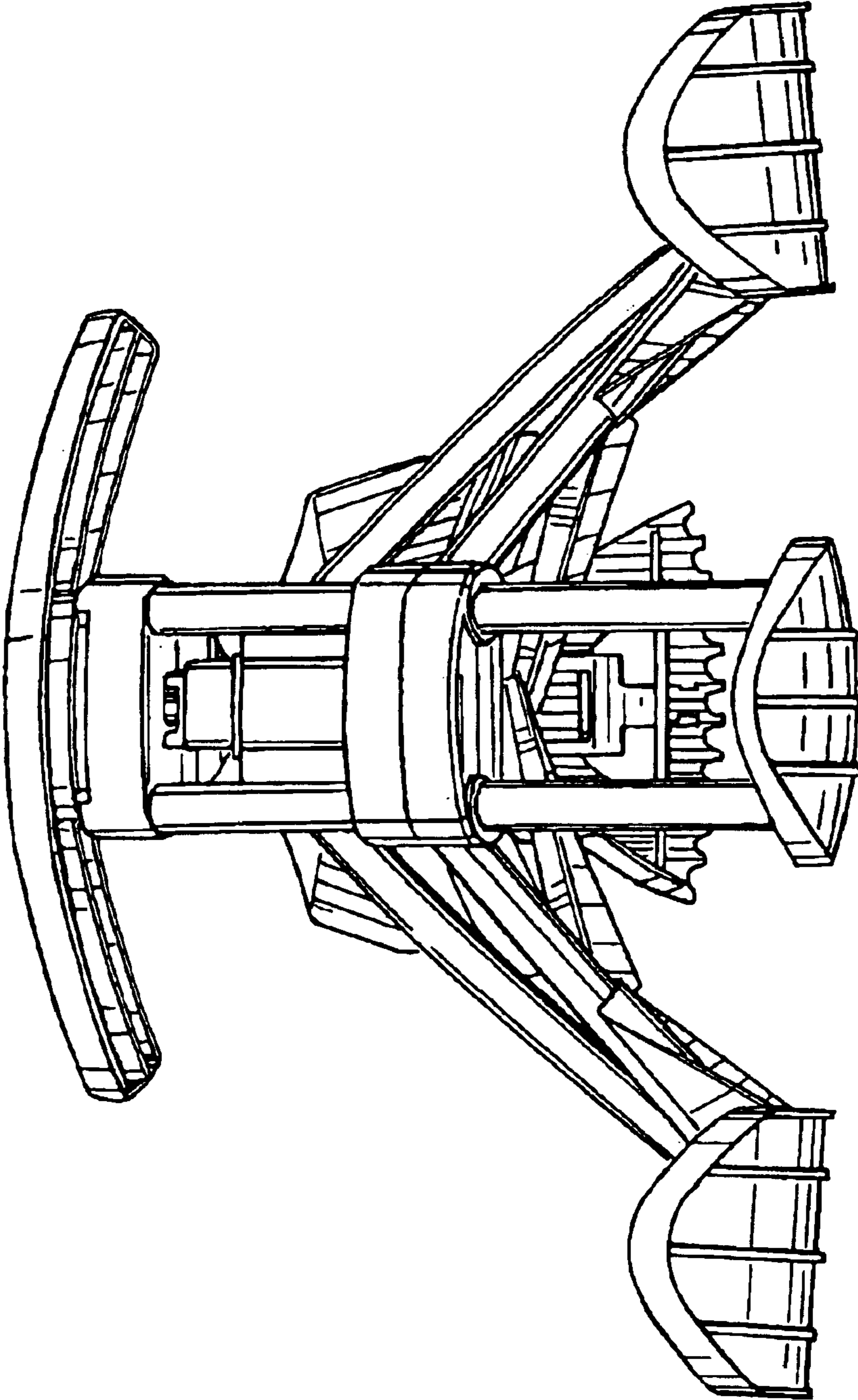


FIG. 6

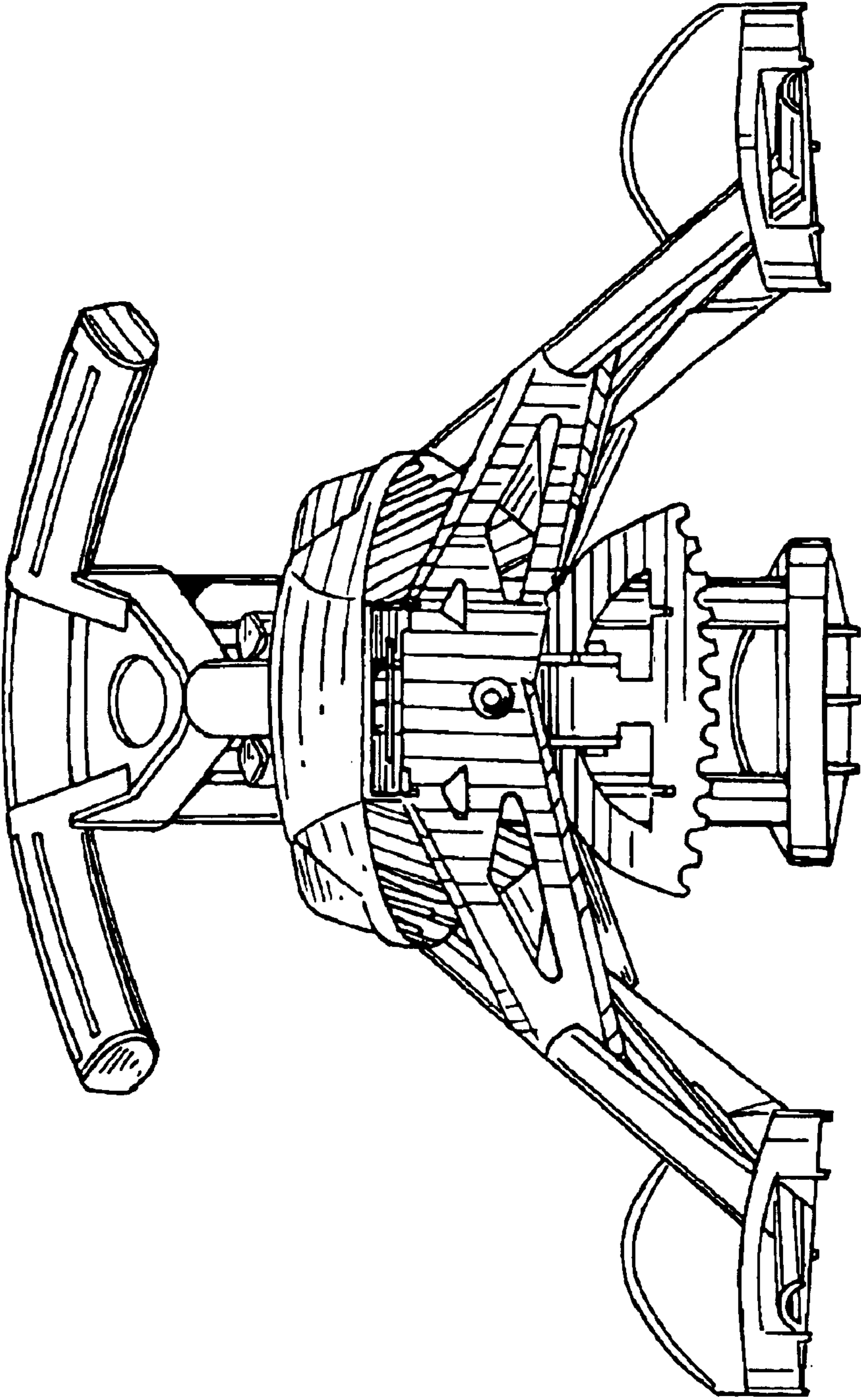


FIG. 7

