

US00D493747S1

(12) **United States Design Patent**
Waters et al.

(10) **Patent No.:** **US D493,747 S**

(45) **Date of Patent:** **** Aug. 3, 2004**

(54) **TREAD ON PLATFORM**

D437,562 S * 2/2001 Andrieu D10/92

(75) Inventors: **Scott Waters**, Hollis, NH (US);
Shin-Tao Chang, Nashua, NH (US)

* cited by examiner

(73) Assignee: **Segway LLC**, Manchester, NH (US)

Primary Examiner—Antoine Duval Davis

(74) *Attorney, Agent, or Firm*—Bromberg & Sunstein LLP

(**) Term: **14 Years**

(57) **CLAIM**

(21) Appl. No.: **29/171,742**

The ornamental design for a tread on platform, as shown and described.

(22) Filed: **Nov. 27, 2002**

(51) **LOC (7) Cl.** **12-14**

(52) **U.S. Cl.** **D12/7**

(58) **Field of Search** D10/87, 91, 92,
D10/93, 94; 177/238-243; D12/1, 85, 184,
174; D21/561, 423; 180/7.1, 8.2, 19.1,
89.13; 280/220, 5.22, DIG. 5

DESCRIPTION

FIG. 1 shows a top view of a tread on platform according to a preferred embodiment; and,

FIG. 2 shows a rear perspective view of a tread on platform according to FIG. 1.

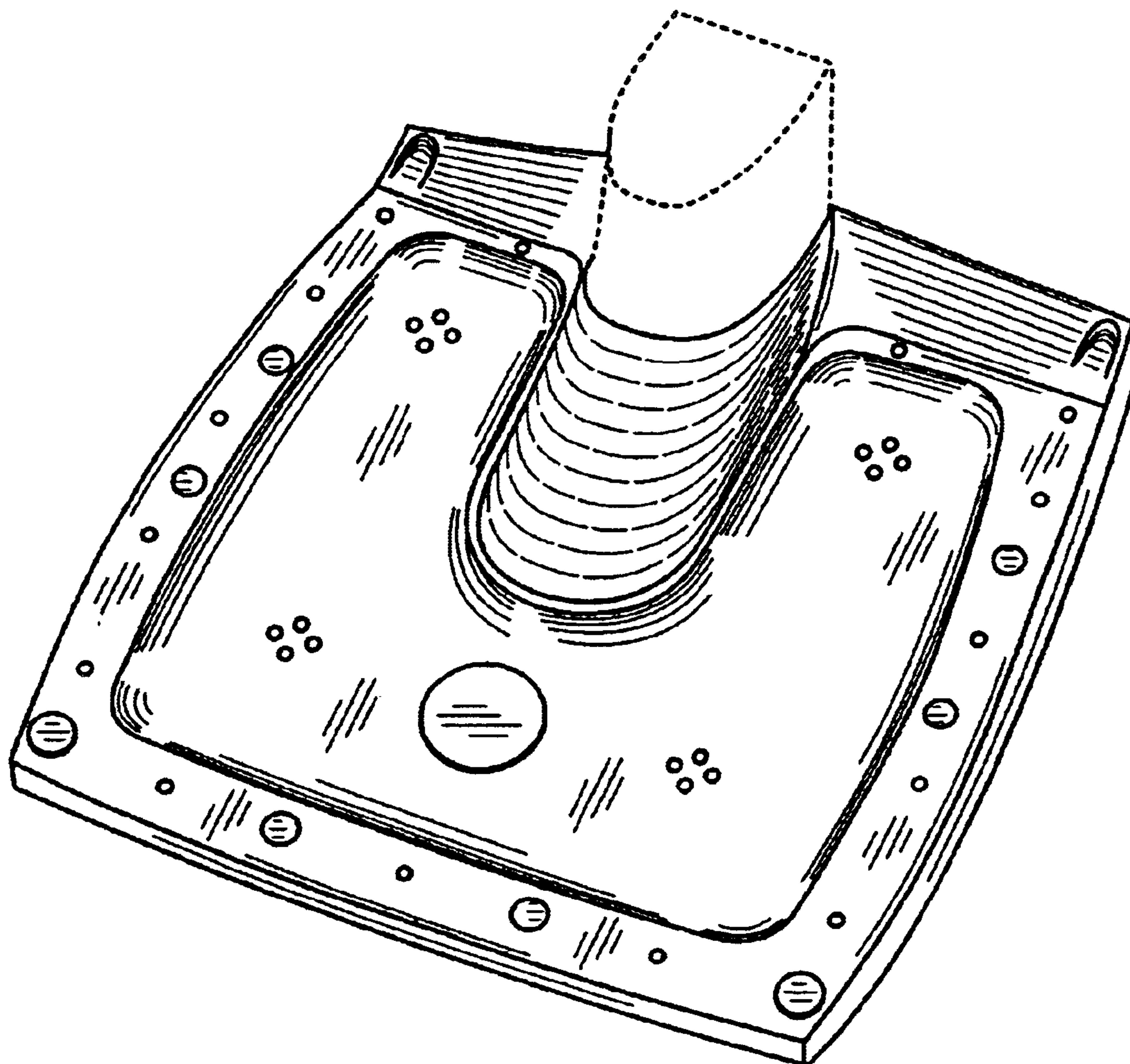
The broken line showing is for illustrative purposes only and forms no part of the claimed design.

(56) **References Cited**

U.S. PATENT DOCUMENTS

D109,710 S * 5/1938 Garbell D10/92

1 Claim, 1 Drawing Sheet



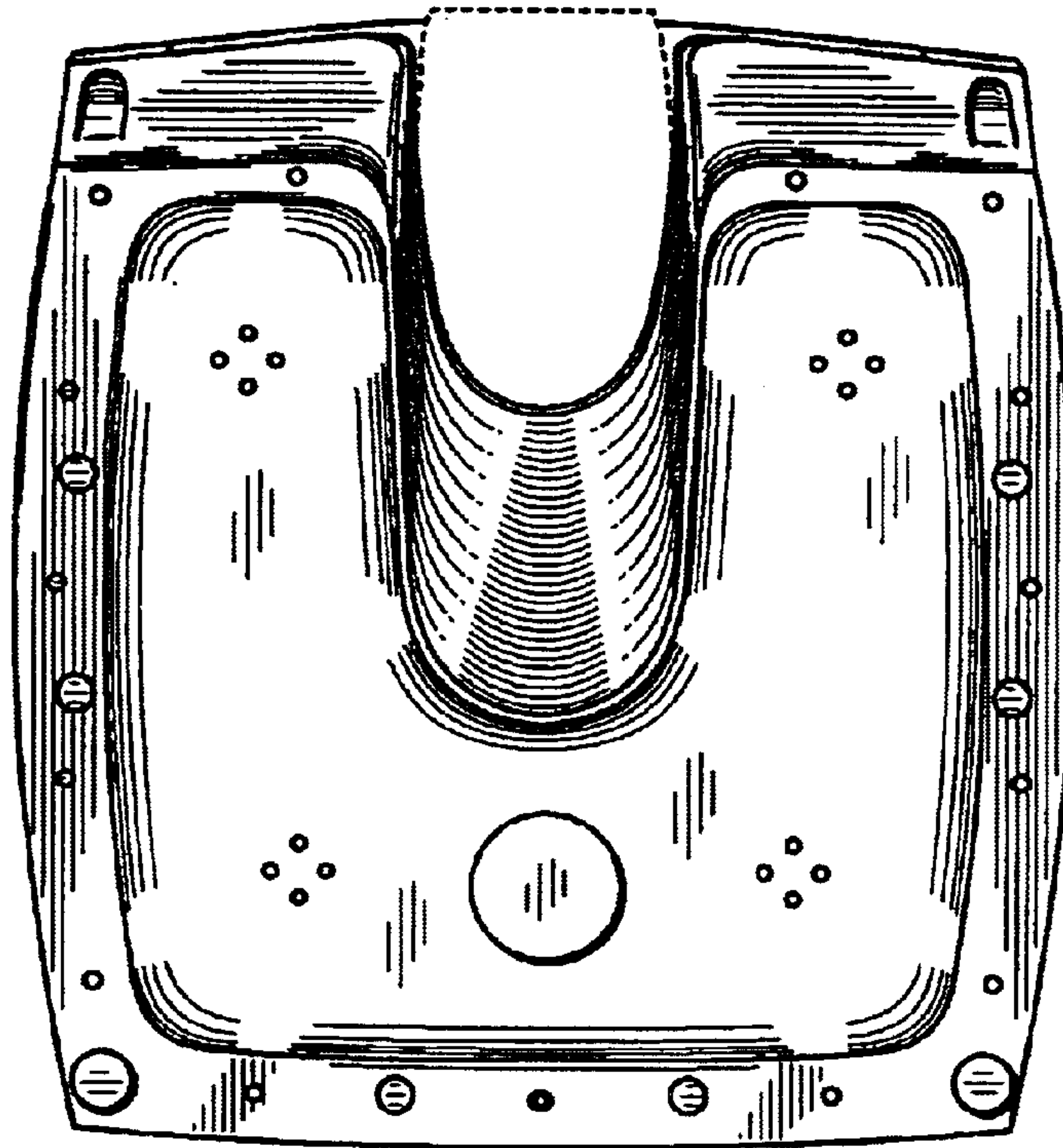


FIG. 1

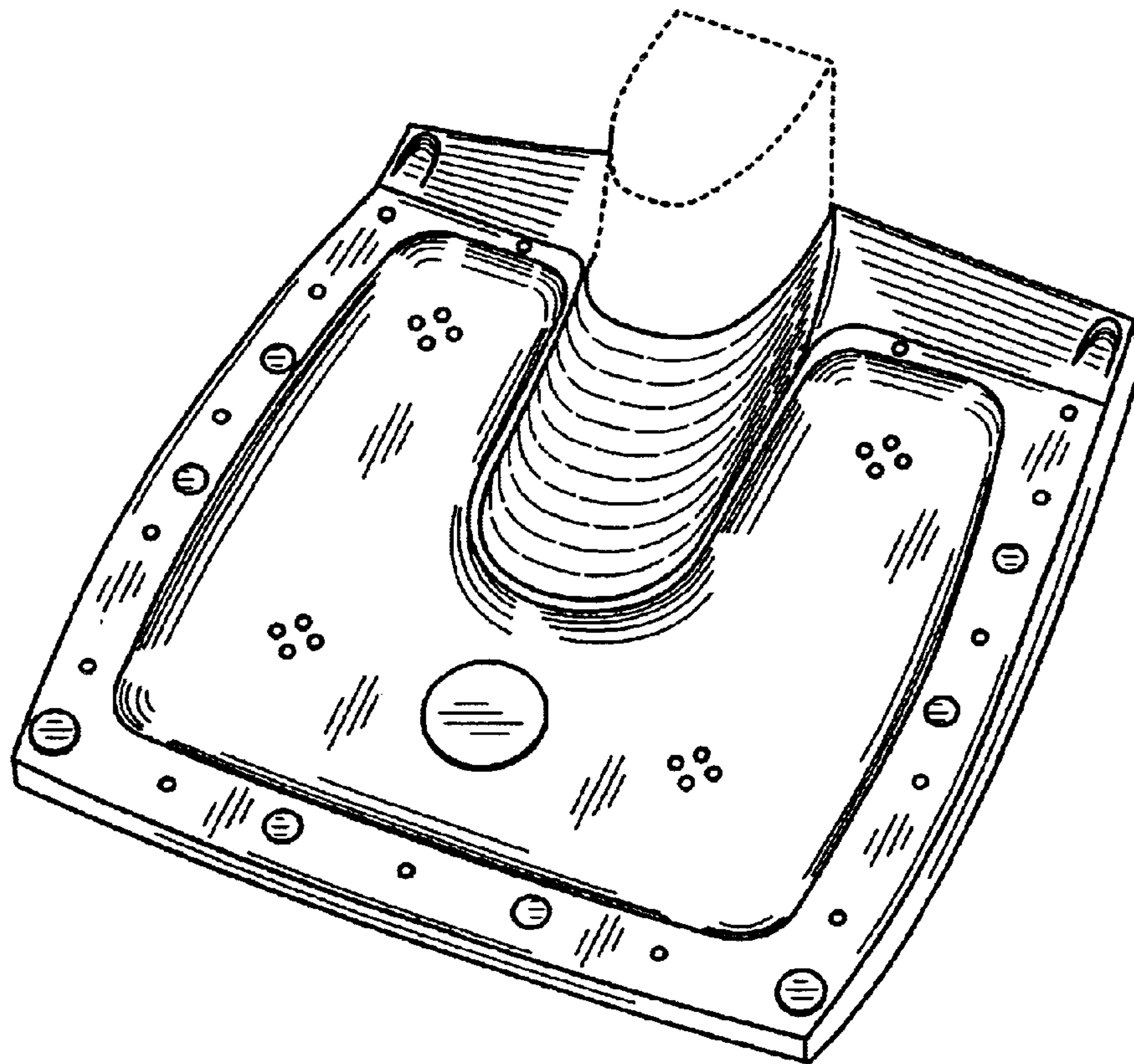


FIG. 2