

US00D493746S1

(12) **United States Design Patent**
Henson

(10) **Patent No.:** **US D493,746 S**

(45) **Date of Patent:** **** Aug. 3, 2004**

(54) **FLAG HOLDER**

(76) **Inventor:** **Jimmy L. Henson**, P.O. Box 296,
Scottsville, KY (US) 42164

(**) **Term:** **14 Years**

(21) **Appl. No.:** **29/192,427**

(22) **Filed:** **Oct. 24, 2003**

(51) **LOC (7) Cl.** **11-05**

(52) **U.S. Cl.** **D11/182**

(58) **Field of Search** D11/165, 166,
D11/181, 182, 183; D8/373; D99/17; 40/124.5;
52/103; 116/173, 174, 175; 248/158, 511,
512, 513, 514, 519, 534, 535, 536, 538,
539, 540, 541; D6/521, 523, 524; D23/550,
553, 304; 4/576.1, 577.1

(56) **References Cited**

U.S. PATENT DOCUMENTS

3,162,409 A	12/1964	Straayer et al.	
3,326,504 A	6/1967	Lawrence et al.	
3,713,611 A	* 1/1973	Voigt	248/539
4,121,803 A	10/1978	Garrick	
D285,427 S	* 9/1986	Cline	D12/114
D286,963 S	* 12/1986	Waghorn	D6/549
5,435,099 A	7/1995	Conway	
D364,983 S	* 12/1995	Crofoot	D6/553

D371,829 S	* 7/1996	Greger et al.	D23/304
D377,570 S	* 1/1997	Sharpe	D6/524
D411,484 S	* 6/1999	Hill	D11/183
5,915,942 A	6/1999	Ratliffe	
6,015,122 A	1/2000	Qui	
D436,477 S	* 1/2001	Ming-Hsiao	D6/523
6,261,025 B1	* 7/2001	Husson et al.	403/188
6,418,676 B1	7/2002	Olsen et al.	
D477,730 S	* 7/2003	Hoernig	D6/521
D486,333 S	* 2/2004	Hoernig	D6/521

* cited by examiner

Primary Examiner—James Gandy
Assistant Examiner—Elizabeth Albert

(57) **CLAIM**

The ornamental design for a flag holder, as shown and described.

DESCRIPTION

FIG. 1 is a front elevational view of a flag holder showing my new design;

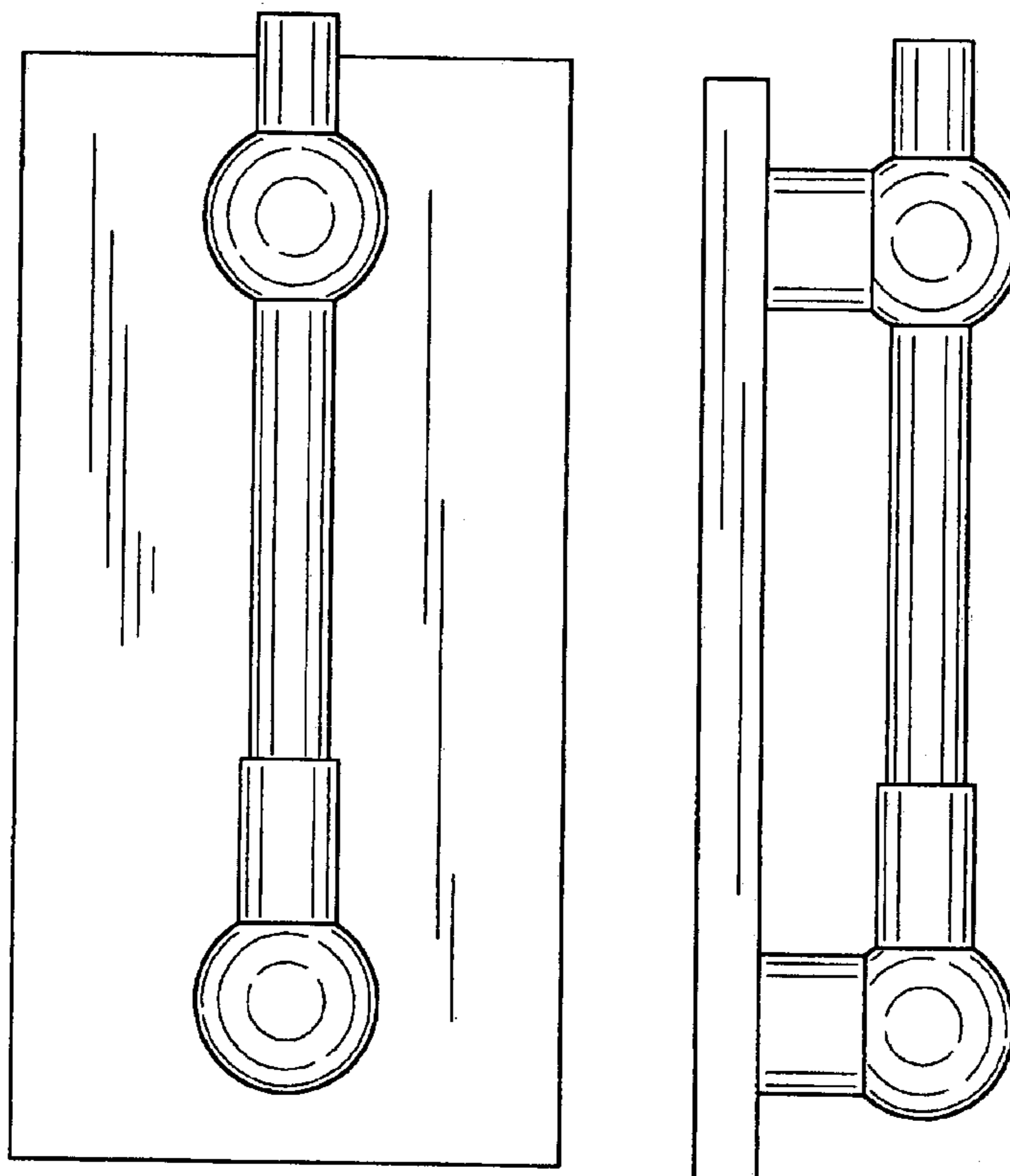
FIG. 2 is the rear elevational view thereof;

FIG. 3 is a side view, taken from the left side of FIG. 1, the right side view being a mirror image thereof;

FIG. 4 is a top plan view thereof; and,

FIG. 5 is a bottom plan view thereof.

1 Claim, 2 Drawing Sheets



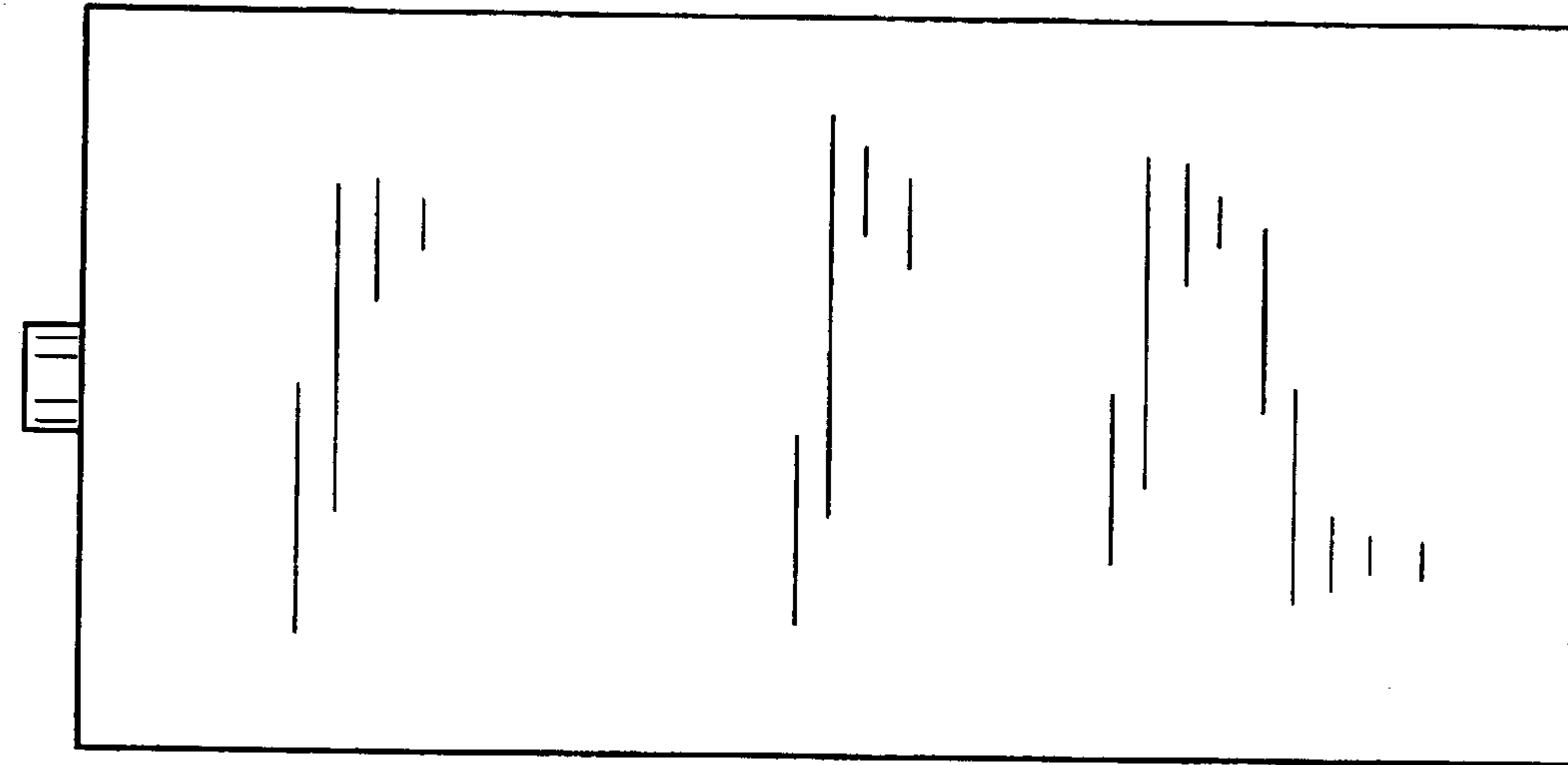


FIG. 2

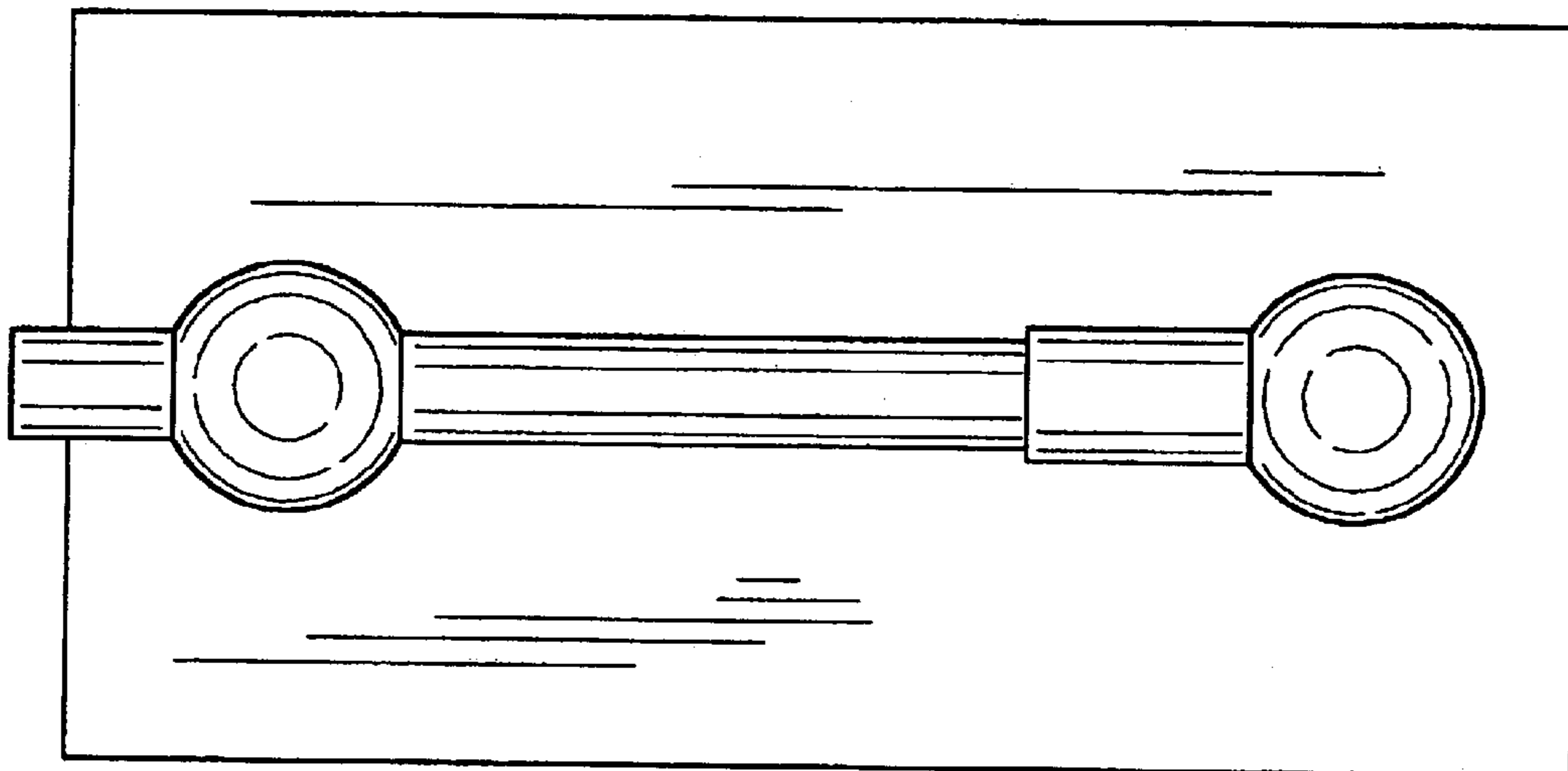


FIG. 1

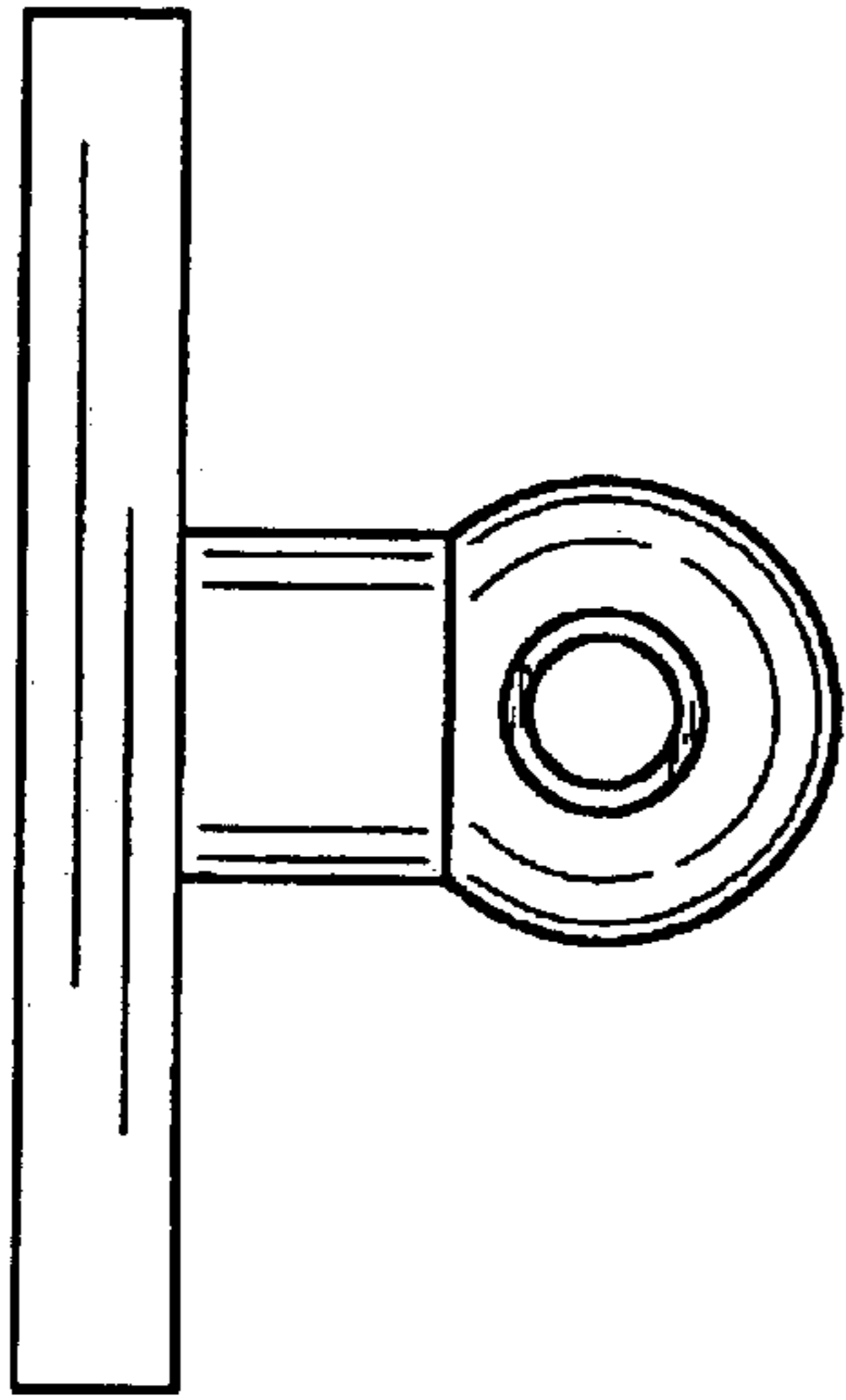


FIG. 4

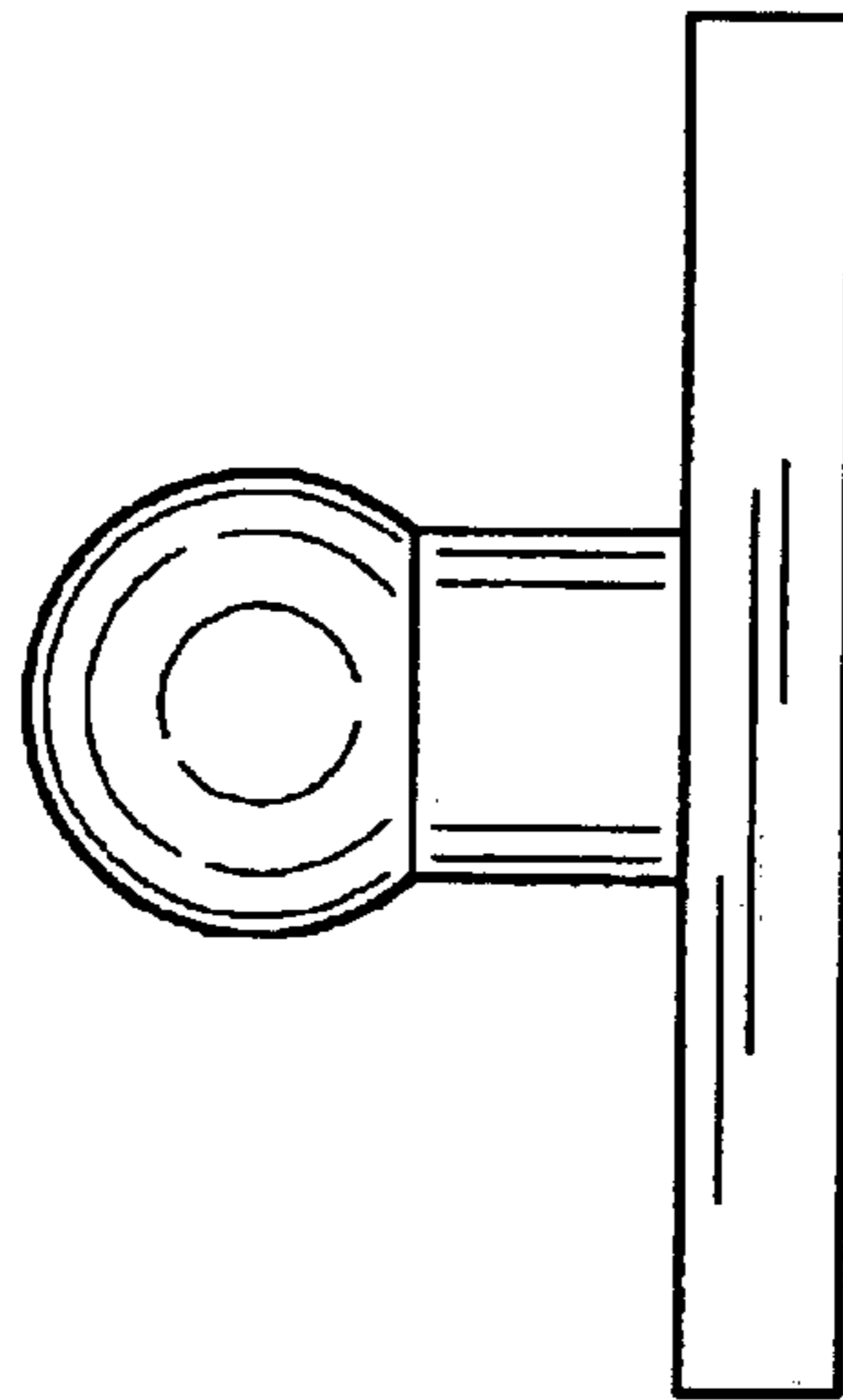


FIG. 5

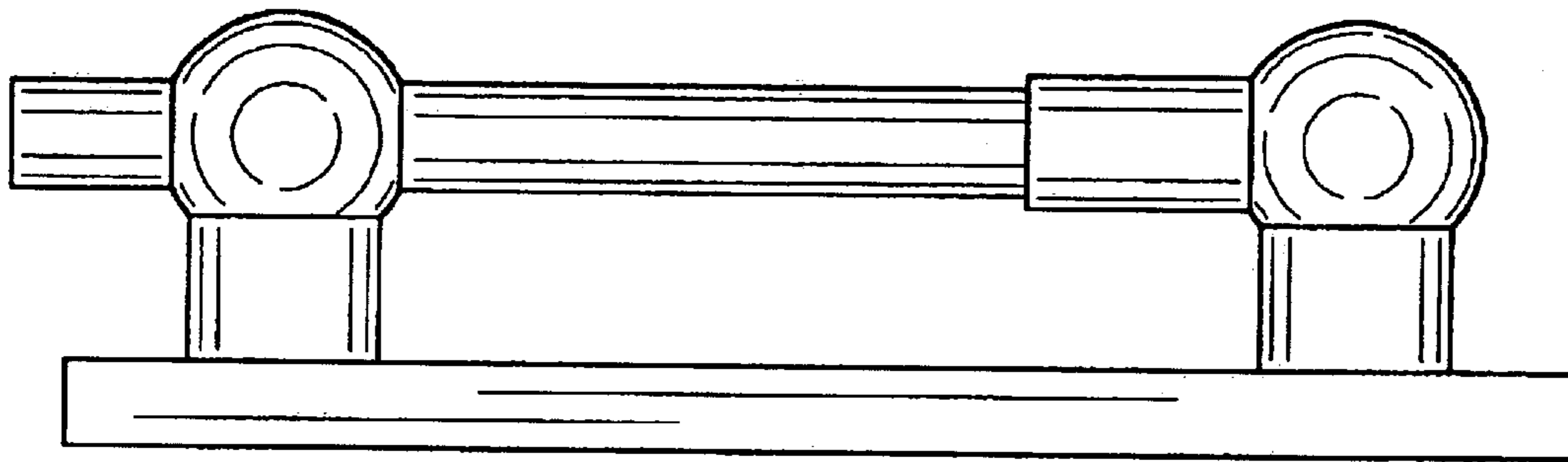


FIG. 3