

US00D493738S1

(12) **United States Design Patent**
Maeno et al.

(10) **Patent No.:** **US D493,738 S**

(45) **Date of Patent:** **** Aug. 3, 2004**

(54) **INDICATOR FOR WATER QUALITY
MEASURING INSTRUMENT**

(75) Inventors: **Akio Maeno**, Kyoto (JP); **Yuri Aono**,
Kyoto (JP); **Naohiro Io**, Kyoto (JP);
Takeshi Kobayashi, Kyoto (JP)

(73) Assignee: **Horiba, Ltd.**, Kyoto (JP)

(**) Term: **14 Years**

(21) Appl. No.: **29/189,419**

(22) Filed: **Sep. 5, 2003**

(30) **Foreign Application Priority Data**

Mar. 6, 2003 (JP) 2003-005906

(51) **LOC (7) Cl.** **10-04**

(52) **U.S. Cl.** **D10/81**

(58) **Field of Search** D10/81; 210/85,
210/88, 244; 204/193-194, 406-411, 271;
324/438

(56) **References Cited**

U.S. PATENT DOCUMENTS

4,771,007 A * 9/1988 Tippetts et al. 436/150
4,912,417 A * 3/1990 Gibboney et al. 324/438
4,940,945 A * 7/1990 Littlejohn et al. 324/438

D309,867 S * 8/1990 Johnson D10/81
5,096,669 A * 3/1992 Lauks et al. 204/403.02
5,665,215 A * 9/1997 Bussmann et al. 205/777.5
D416,821 S * 11/1999 Narayanan D10/81
6,222,371 B1 * 4/2001 Snyder 324/439
D462,024 S * 8/2002 Nardo et al. D10/81
6,428,664 B1 * 8/2002 Bhullar et al. 204/403.03
6,635,167 B1 * 10/2003 Batman et al. 205/775

* cited by examiner

Primary Examiner—Antoine D. Davis

(74) *Attorney, Agent, or Firm*—Sughrue Mion, PLLC

(57) **CLAIM**

The ornamental design for an indicator for water quality measuring instrument, as shown and described.

DESCRIPTION

FIG. 1 is a perspective view of the top, front and right side of an indicator for water quality measuring instrument showing our new design;

FIG. 2 is a top plan view thereof;

FIG. 3 is a front elevational view thereof;

FIG. 4 is a right side elevational view thereof;

FIG. 5 is a left side elevational view thereof;

FIG. 6 is a rear elevational view thereof; and,

FIG. 7 is a bottom plan view thereof.

1 Claim, 4 Drawing Sheets

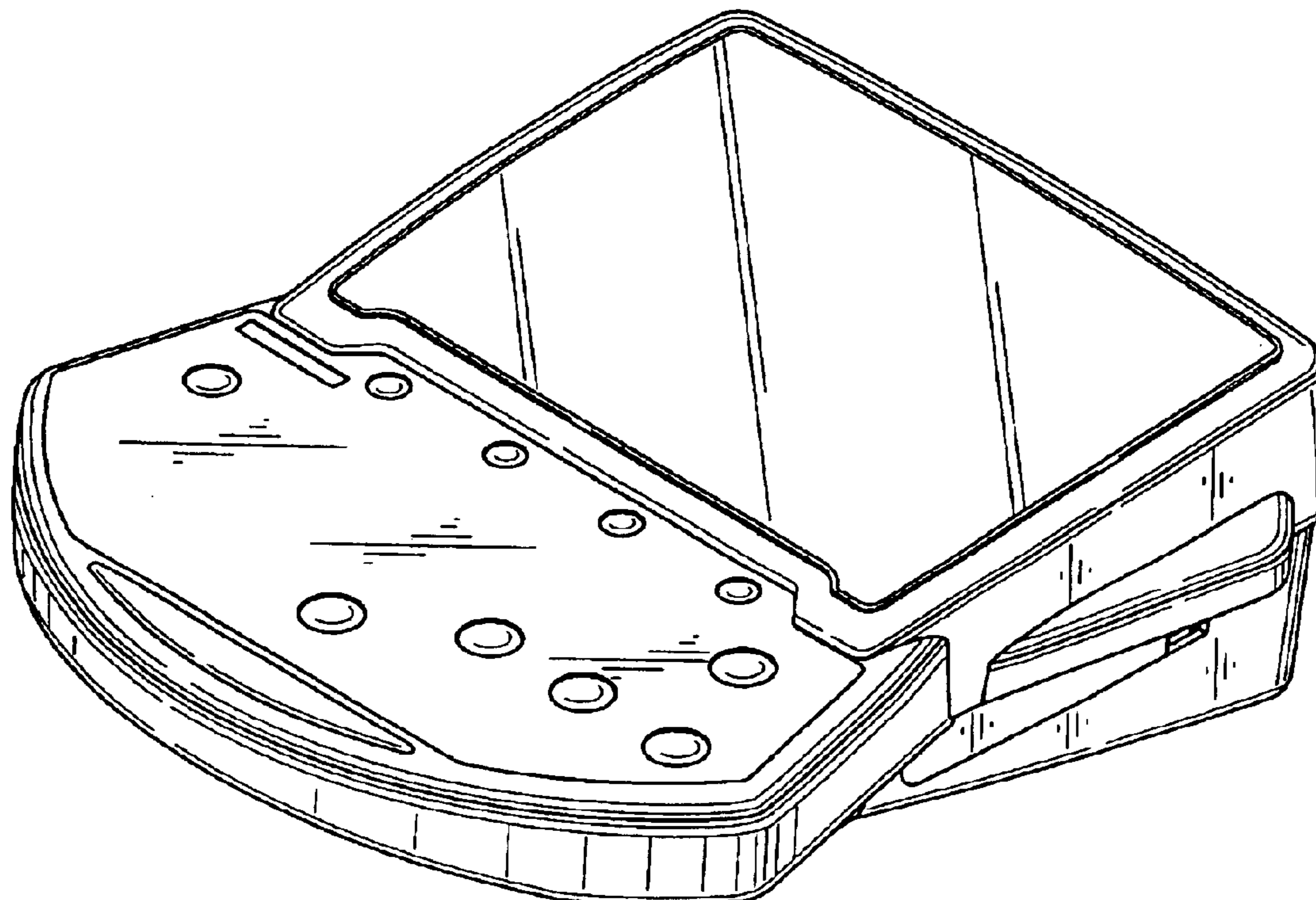


FIG. 1

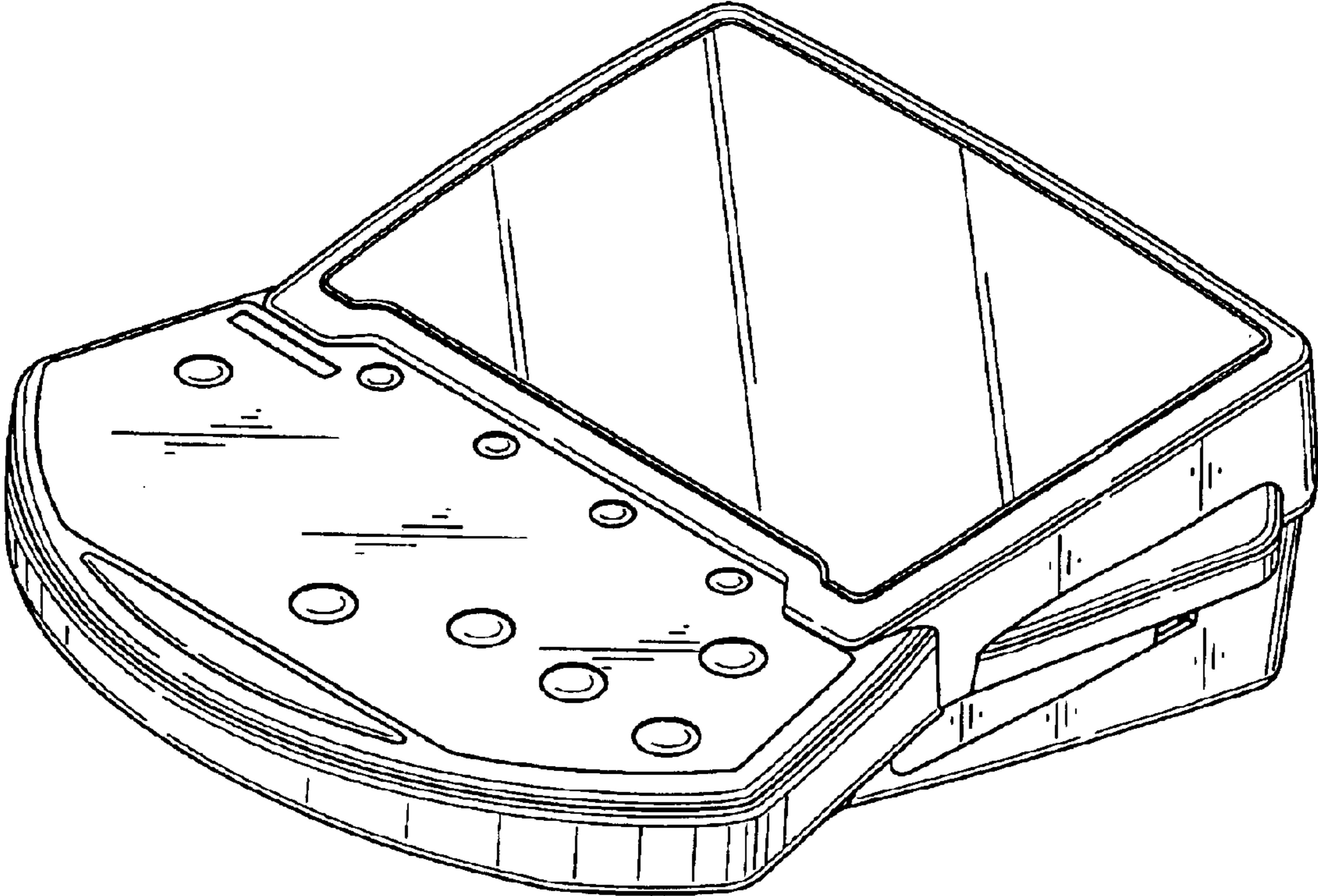


FIG. 2

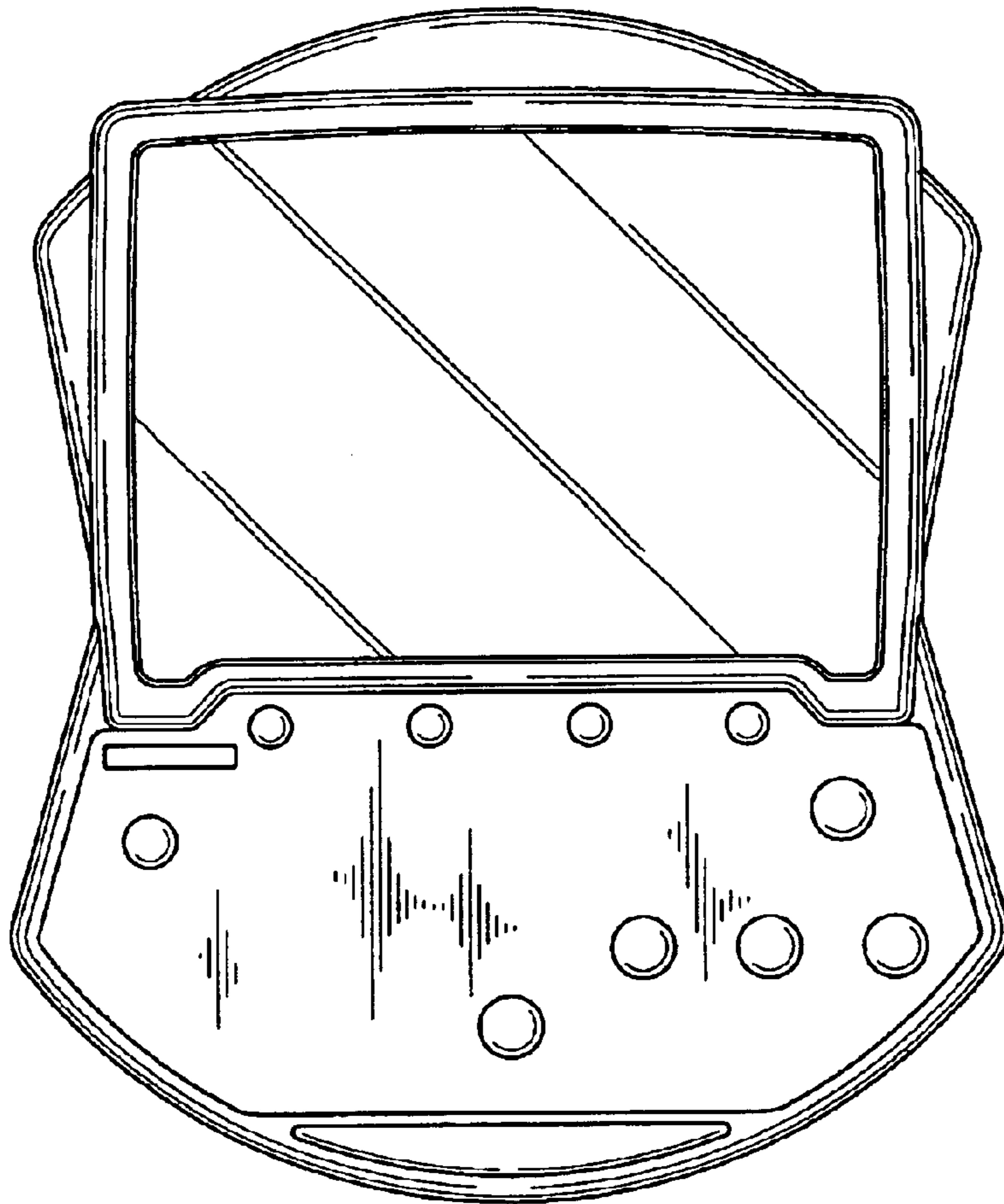


FIG. 3

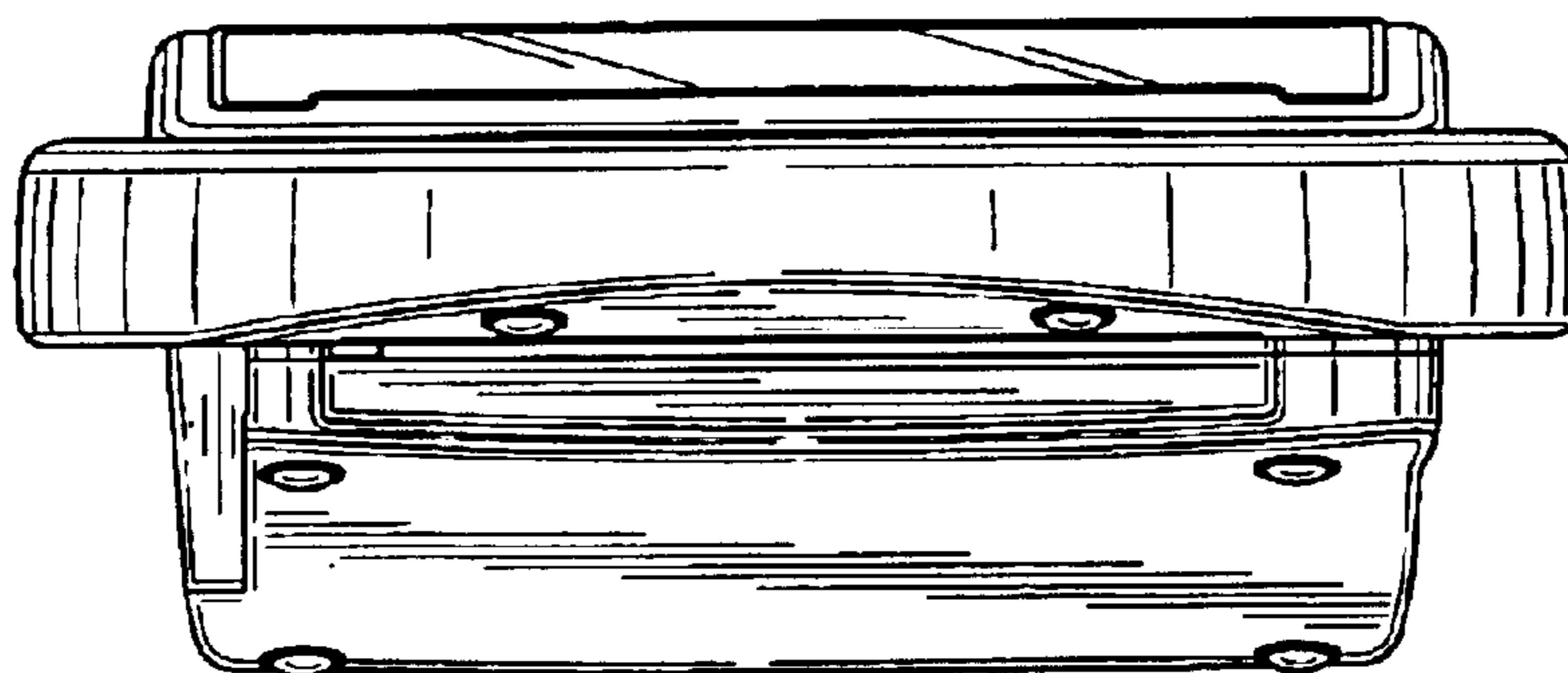


FIG. 4

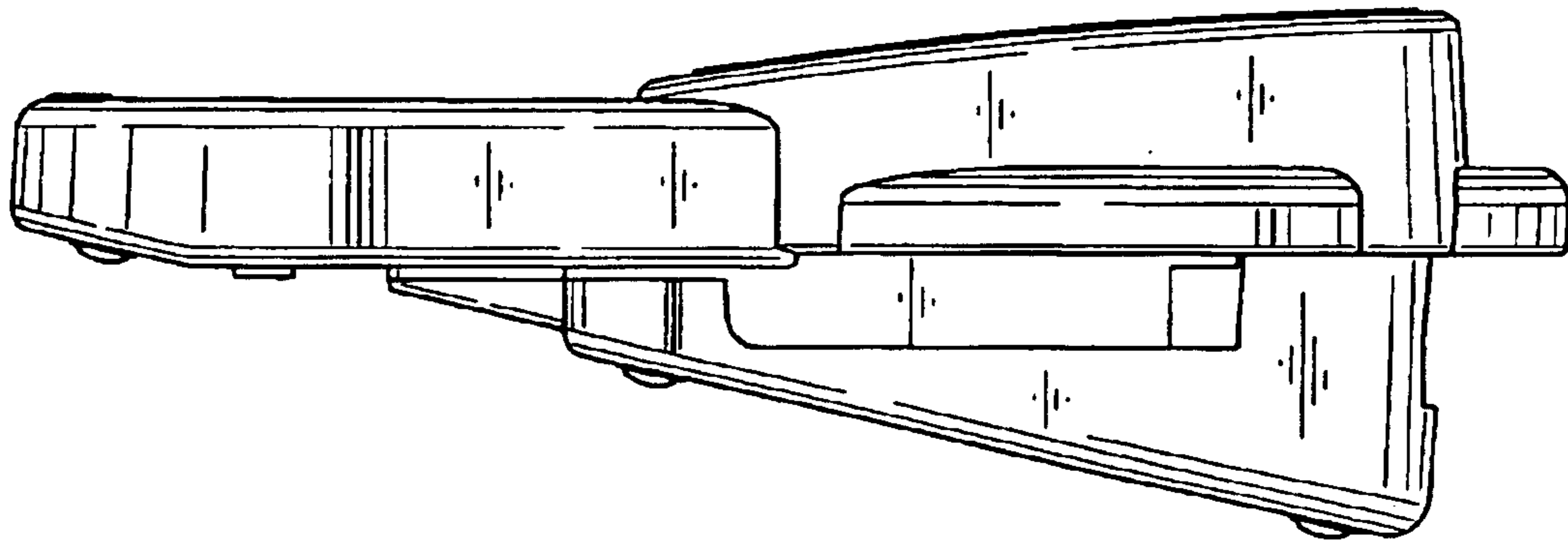


FIG. 5

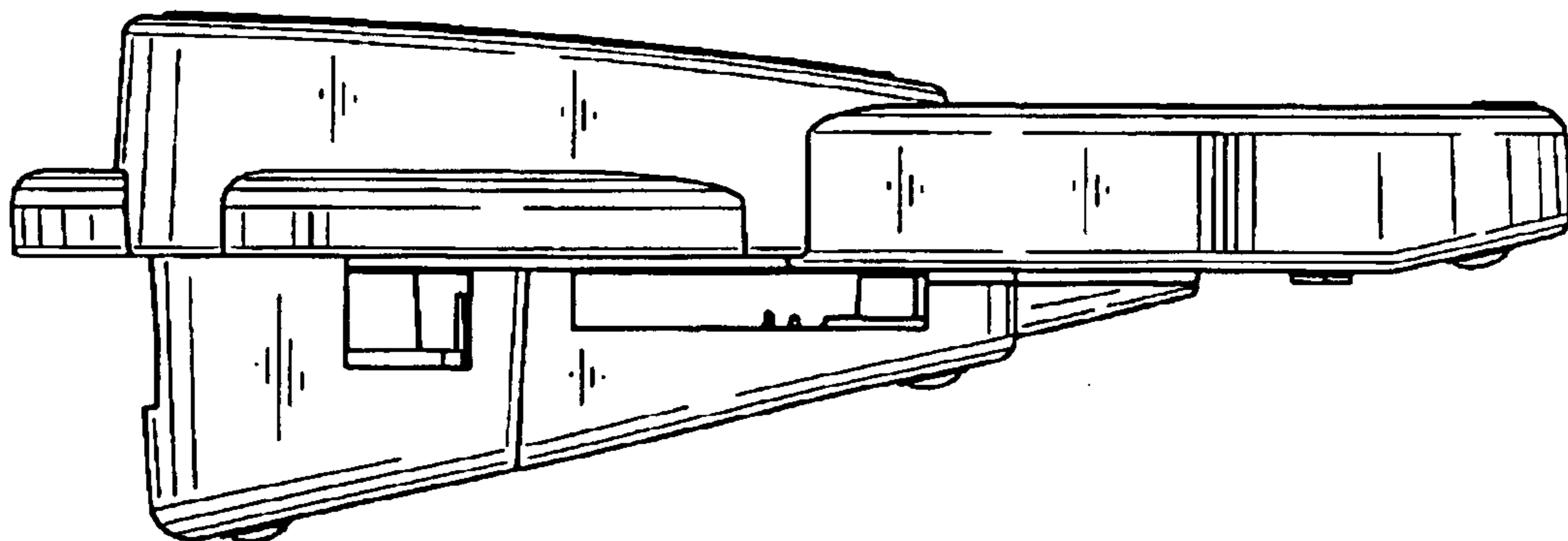


FIG. 6

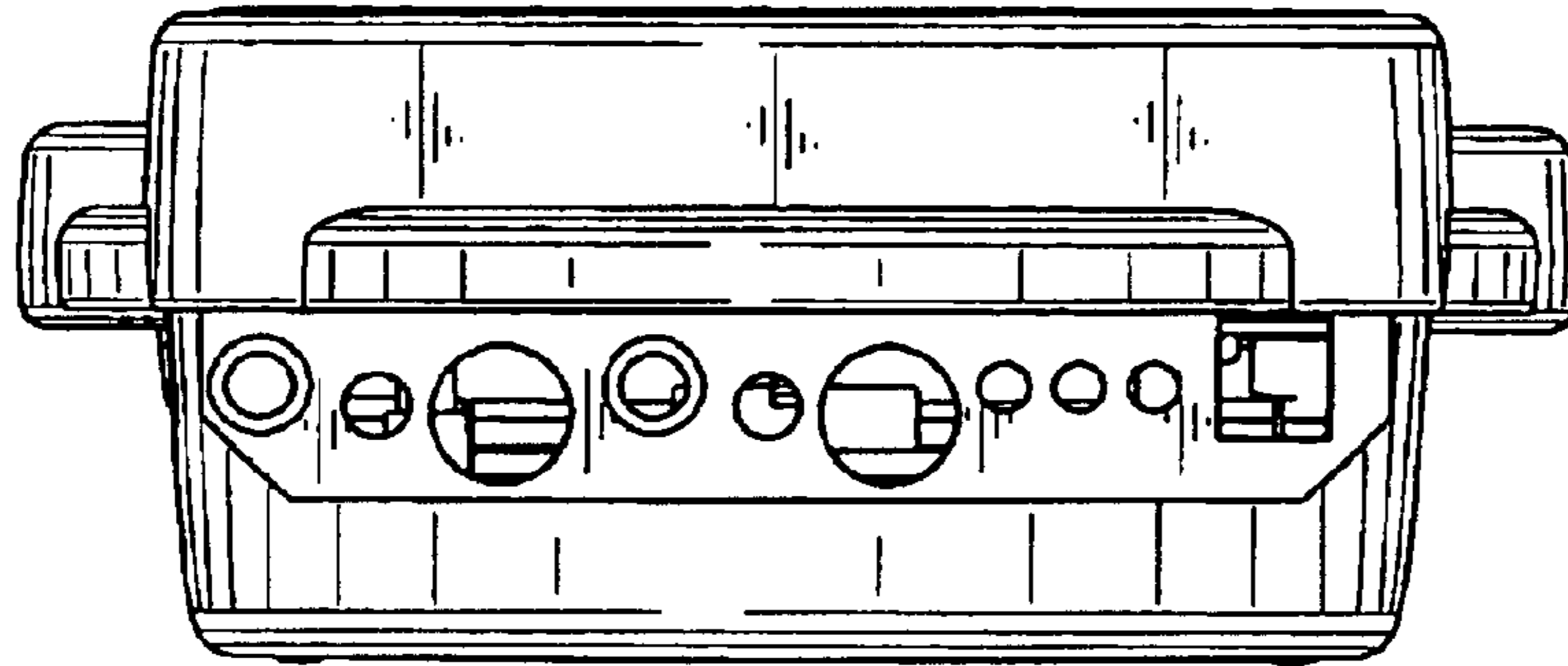


FIG. 7

