

US00D493724S1

(12) **United States Design Patent**
Higuchi

(10) **Patent No.:** **US D493,724 S**

(45) **Date of Patent:** **** Aug. 3, 2004**

(54) **CONTAINER**

(76) **Inventor:** **Mitsuo Higuchi**, 385 Shimizuarai,
Showa-cho, Nakakoma-gun, Yamanashi
(JP)

(**) **Term:** **14 Years**

(21) **Appl. No.:** **29/176,883**

(22) **Filed:** **May 2, 2003**

(51) **LOC (7) Cl.** **09-01**

(52) **U.S. Cl.** **D9/538; D9/557**

(58) **Field of Search** D9/502, 516, 537-539,
D9/545-546, 549, 557, 558, 562, 570, 572,
573, 574, 301; D24/115, 197; 215/11.1,
382-384, 396, 398, 400; 220/666; D7/512

(56) **References Cited**

U.S. PATENT DOCUMENTS

2,780,378 A	*	2/1957	Mose	215/11.1
3,301,293 A	*	1/1967	Santelli	220/666
3,474,844 A	*	10/1969	Lindstrom et al.	215/383 X
D229,034 S	*	11/1973	Miller et al.	D9/301
D238,710 S	*	2/1976	Cacanindin	D24/115 X
D241,884 S	*	10/1976	Gross	D24/115
D286,856 S	*	11/1986	Anscomb	D9/301
D292,555 S	*	11/1987	Chesterfield	D9/301
5,333,761 A	*	8/1994	Davis et al.	222/212
D370,388 S	*	6/1996	Cusick et al.	D7/512

5,584,413 A	*	12/1996	Jung	215/382 X
D401,344 S	*	11/1998	Bonds	D24/197
5,979,326 A	*	11/1999	Ohinata	215/382 X
6,105,815 A	*	8/2000	Mazda	220/666
D474,973 S	*	5/2003	Higuchi	D9/502

* cited by examiner

Primary Examiner—Philip S. Hyder

Assistant Examiner—Carol Rademaker

(74) *Attorney, Agent, or Firm*—Reed Smith LLP; Stanley P. Fisher, Esq.; Juan Carlos A. Marquez, Esq.

(57) **CLAIM**

The ornamental design for a container, as shown and described.

DESCRIPTION

FIG. 1 is a top plan view of the container of the present invention;

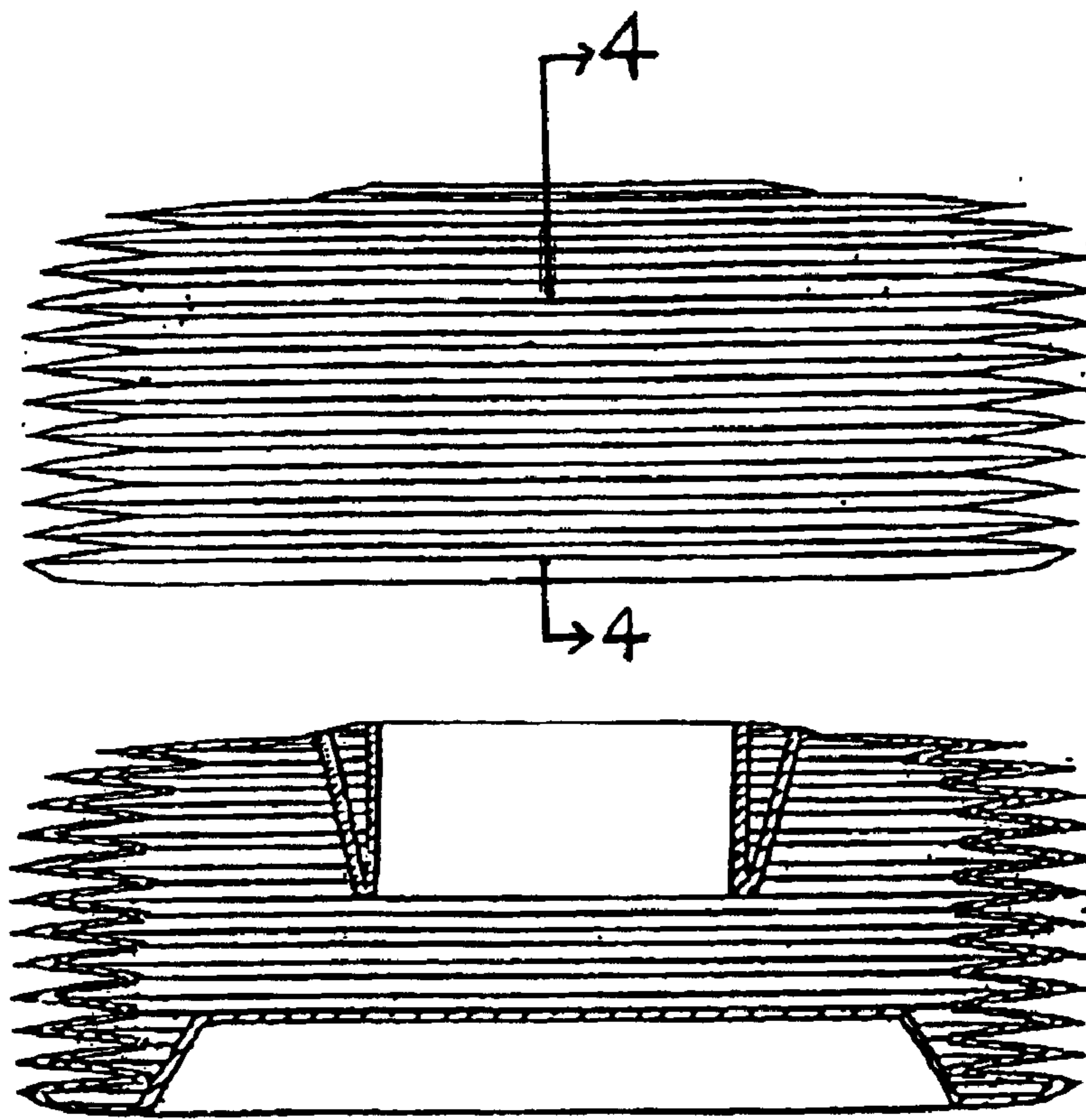
FIG. 2 is a front elevational view thereof, the rear, right side, and left side being identical to the front side;

FIG. 3 is a front elevational view thereof shown in a vertically compressed condition;

FIG. 4 is a vertical cross-sectional taken along section line 4—4 in FIG. 3; and,

FIG. 5 is a sectional view taken along section line 6—6 of FIG. 1.

1 Claim, 3 Drawing Sheets



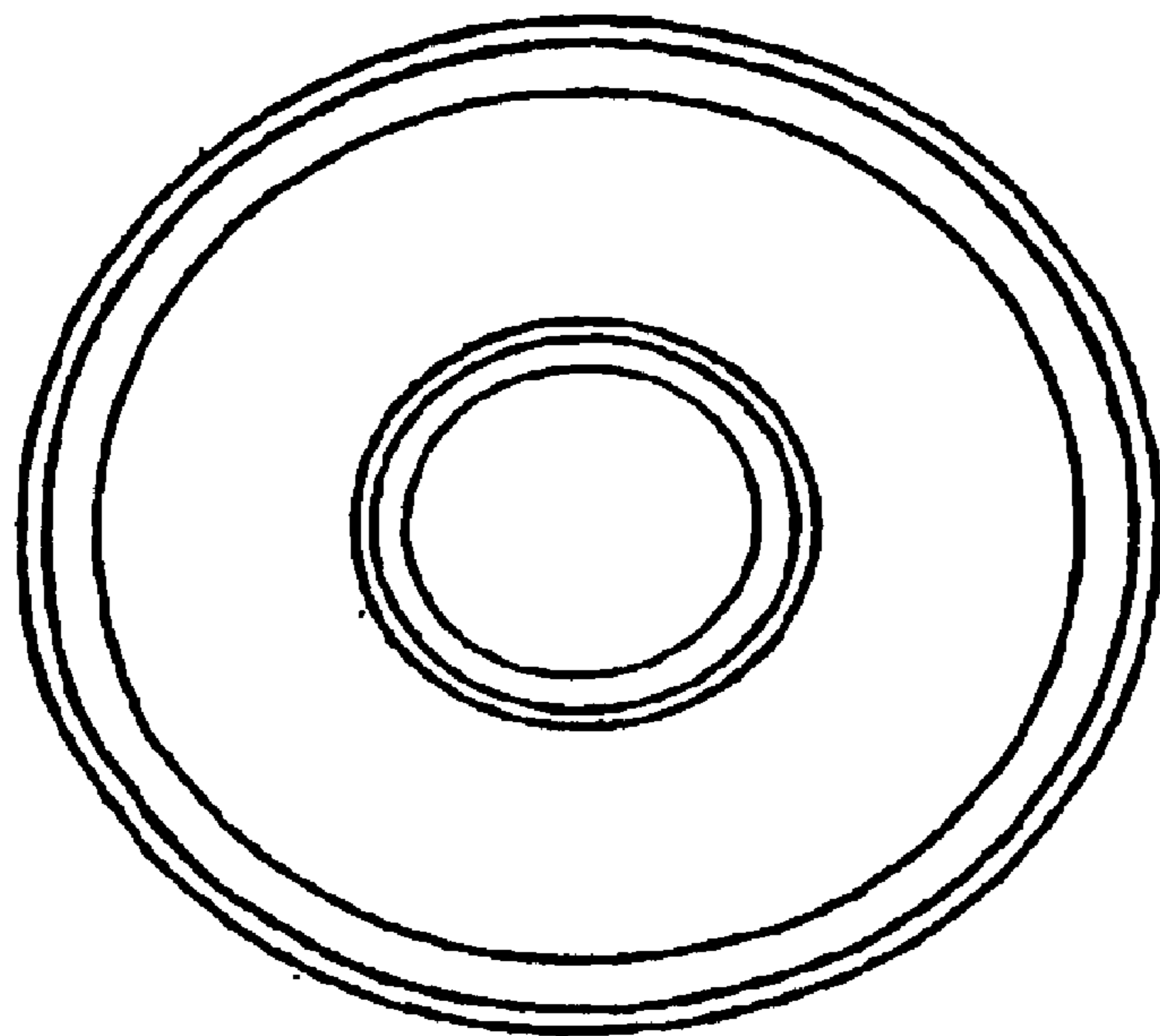


FIG. 1

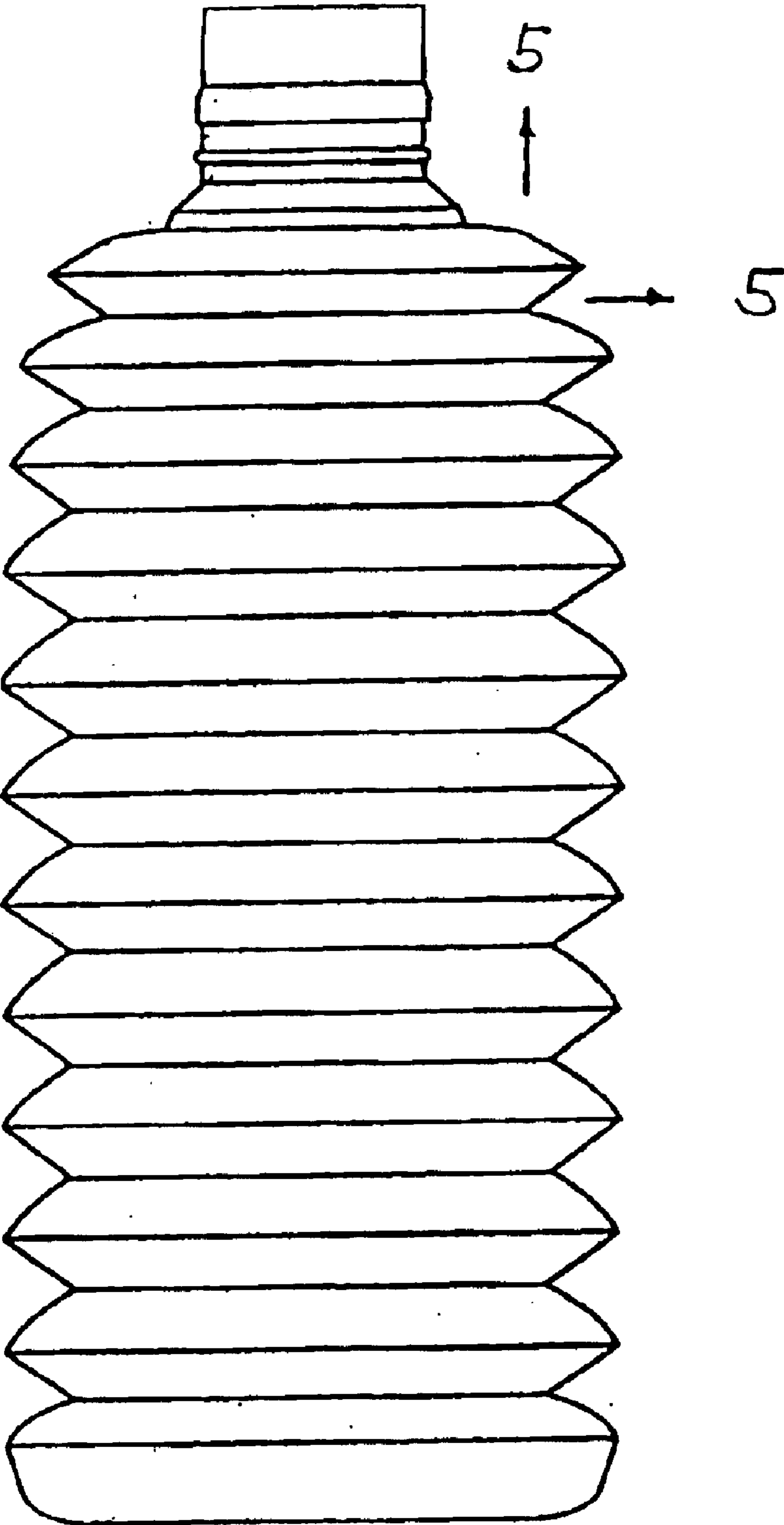


FIG. 2.

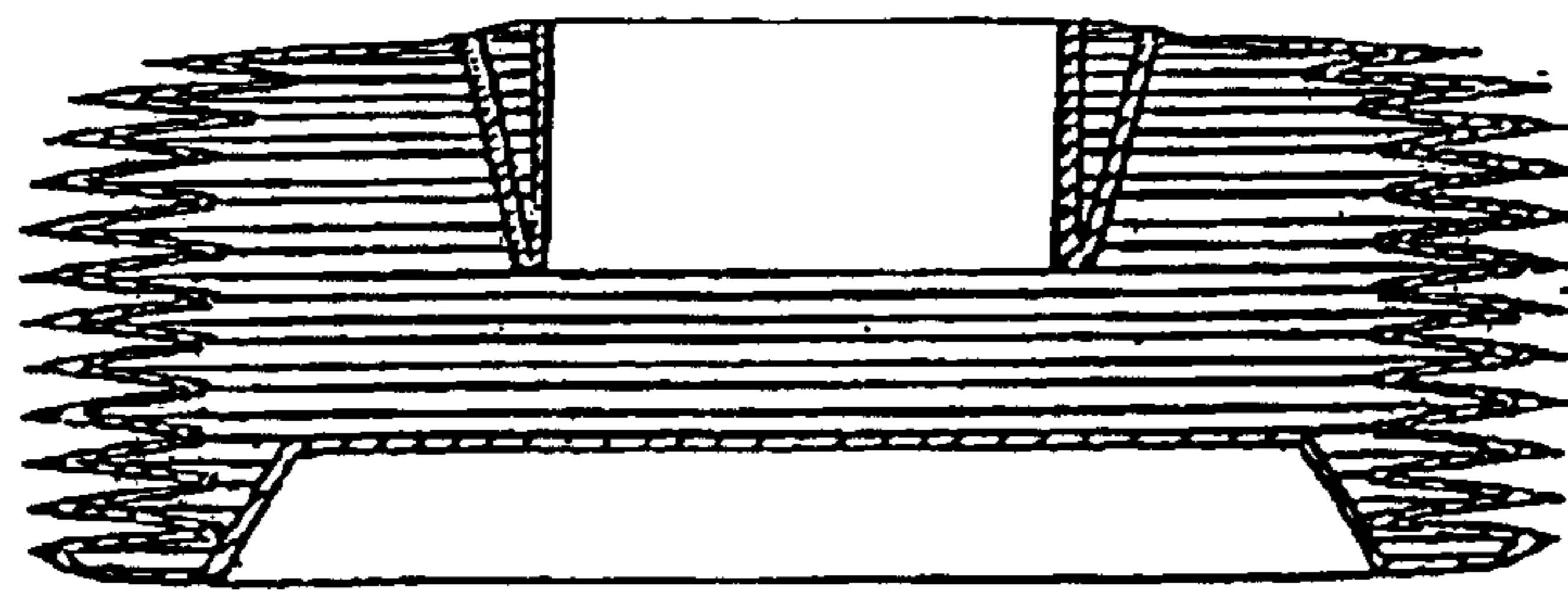
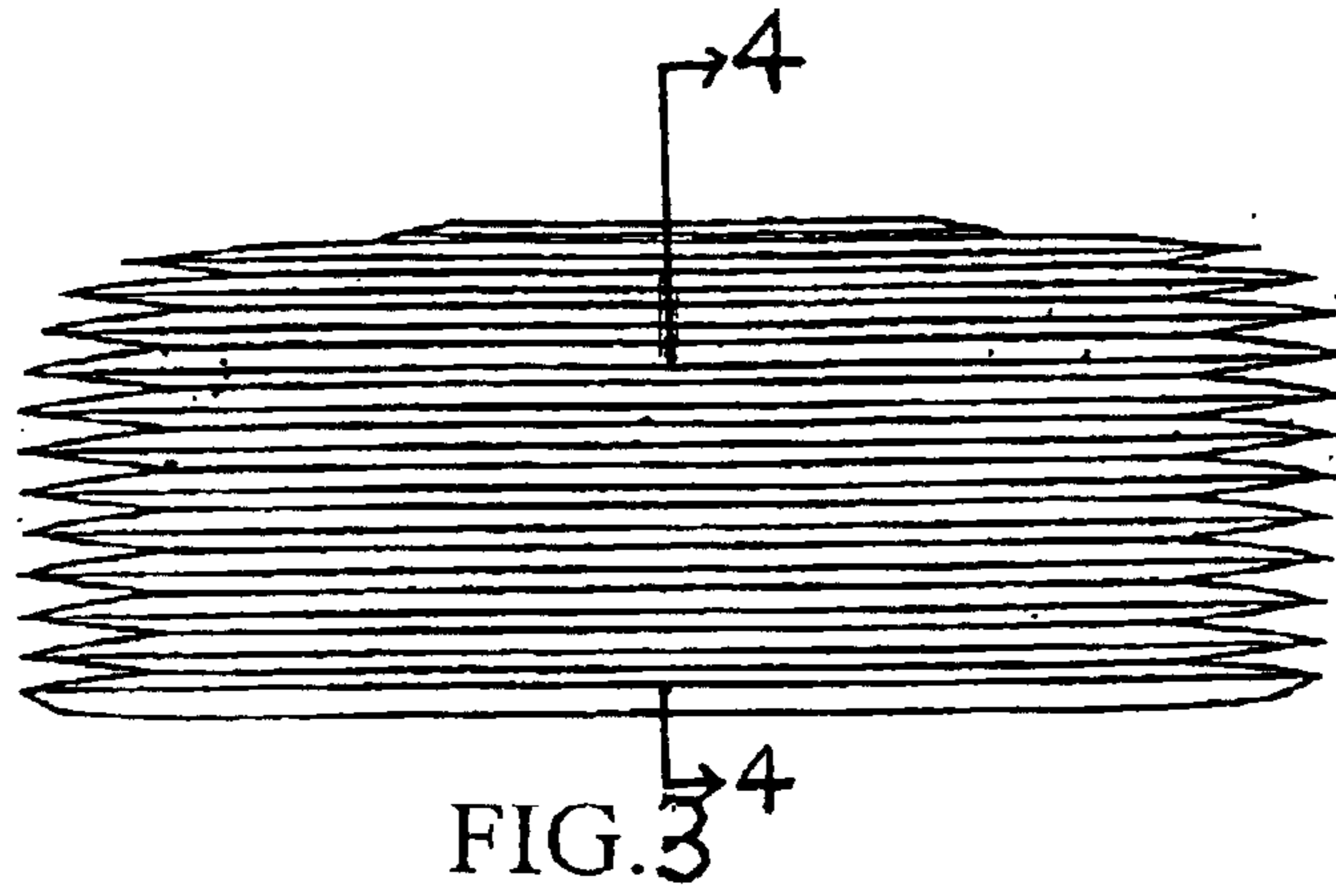


FIG. 4

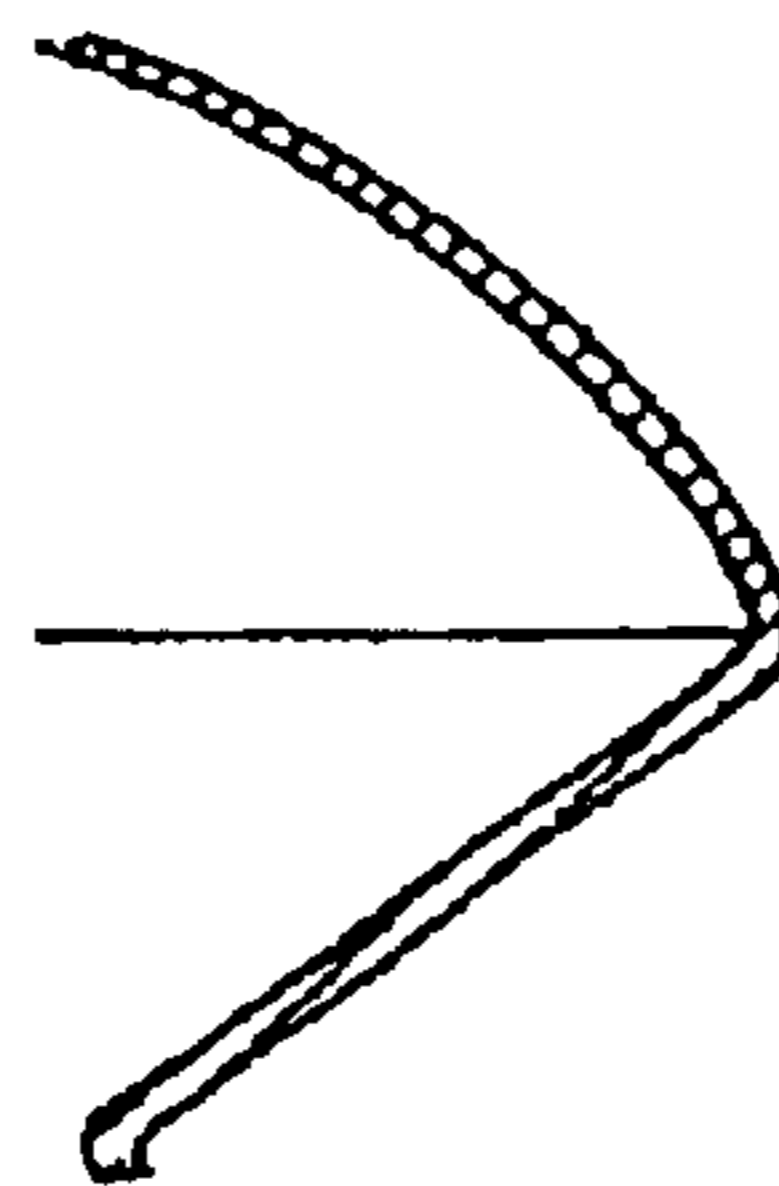


FIG. 5