



US00D493722S1

(12) **United States Design Patent** (10) **Patent No.:** **US D493,722 S**
Cooper (45) **Date of Patent:** **** Aug. 3, 2004**

(54) **WATCH HOLDING DEVICE**

(75) Inventor: **Martin R. Cooper**, Cincinnati, OH (US)

(73) Assignee: **Cooper and Company, Inc.**, Cincinnati, OH (US)

(**) Term: **14 Years**

(21) Appl. No.: **29/179,911**

(22) Filed: **Apr. 16, 2003**

(51) **LOC (7) Cl.** **09-01**

(52) **U.S. Cl.** **D9/504**

(58) **Field of Search** D9/500-504; 215/379-383, 215/400; 220/890

(56) **References Cited**

U.S. PATENT DOCUMENTS

1,268,064 A	5/1918	Johnson	
D120,167 S	* 4/1940	Deskey	D9/504
D127,331 S	* 5/1941	Rosenfeld	D9/503
D167,626 S	* 9/1952	Garretto	D9/501
2,687,157 A	8/1954	Cowan	
D217,438 S	* 5/1970	Bellbach et al.	D9/504
D220,994 S	* 6/1971	Doblin	D9/501
4,615,464 A	10/1986	Byrns	
D287,336 S	12/1986	Roehrig	
D355,657 S	2/1995	Scheid et al.	
5,505,328 A	4/1996	Stribiak	
D401,763 S	12/1998	Wolff	
D423,772 S	5/2000	Cooper et al.	
D480,307 S	* 10/2003	Canamasas Puigbo	D9/504

OTHER PUBLICATIONS

Website printout, Fossil Collectables, Batman The Dark Knight, <http://www.fossil.com/Product/Product.asp?Tier1=Collectibles&Tier2=CS&Dept%5FID=. . .>, Jun. 20, 2003.

Website printout, Fossil Tins, <http://www.fossil.com/images/attributes/WI-0009.gif>, Jun. 20, 2003.

Website printout, Packaging for Watch Stand, Jewelry Pouch Package, Gift ware Package . . . Box, http://www.1fpackage.com/watch_stand.htm, Jun. 20, 2003.

* cited by examiner

Primary Examiner—Sandra L. Morris

(74) *Attorney, Agent, or Firm*—Dinsmore & Shohl LLP

(57) **CLAIM**

The ornamental design for a watch holding device, as shown and described.

DESCRIPTION

FIG. 1 is a perspective view of an illustrative watch holding device embodying my inventive design;

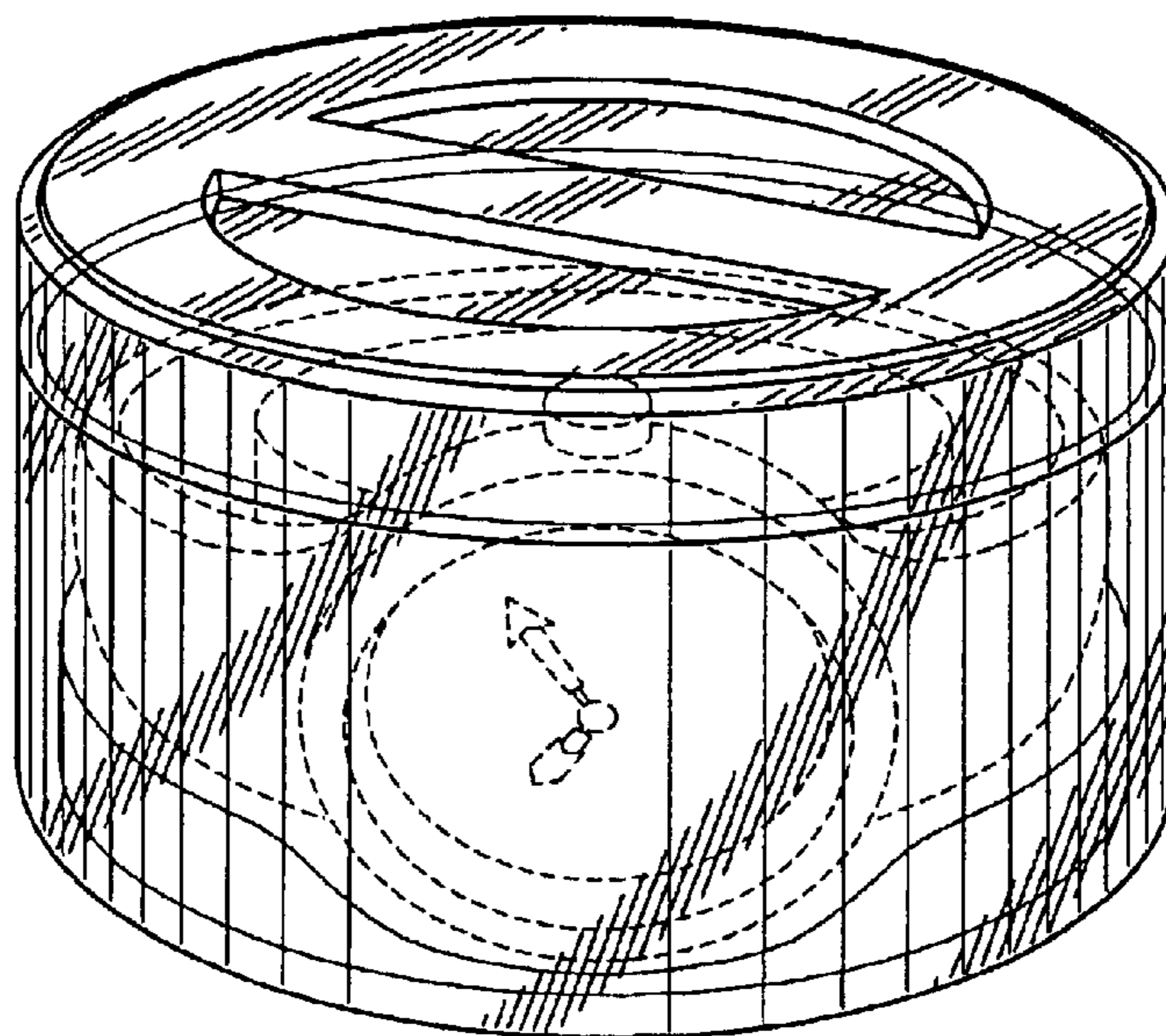
FIG. 2 is a front elevational view of the watch holding device of FIG. 1;

FIG. 3 is a top plan view of the illustrative watch holding device of FIG. 1; and,

FIG. 4 is a perspective view of another illustrative watch holding device embodying my inventive design, wherein the front elevational view and top plan view are similar to FIGS. 2-3 respectively, and wherein the watch stand is shown in solid lines as the appearance of this feature is also being claimed in this embodiment.

The broken lines shown in the figures are for illustrative and exemplary purposes only and form no part of the claimed design.

1 Claim, 2 Drawing Sheets



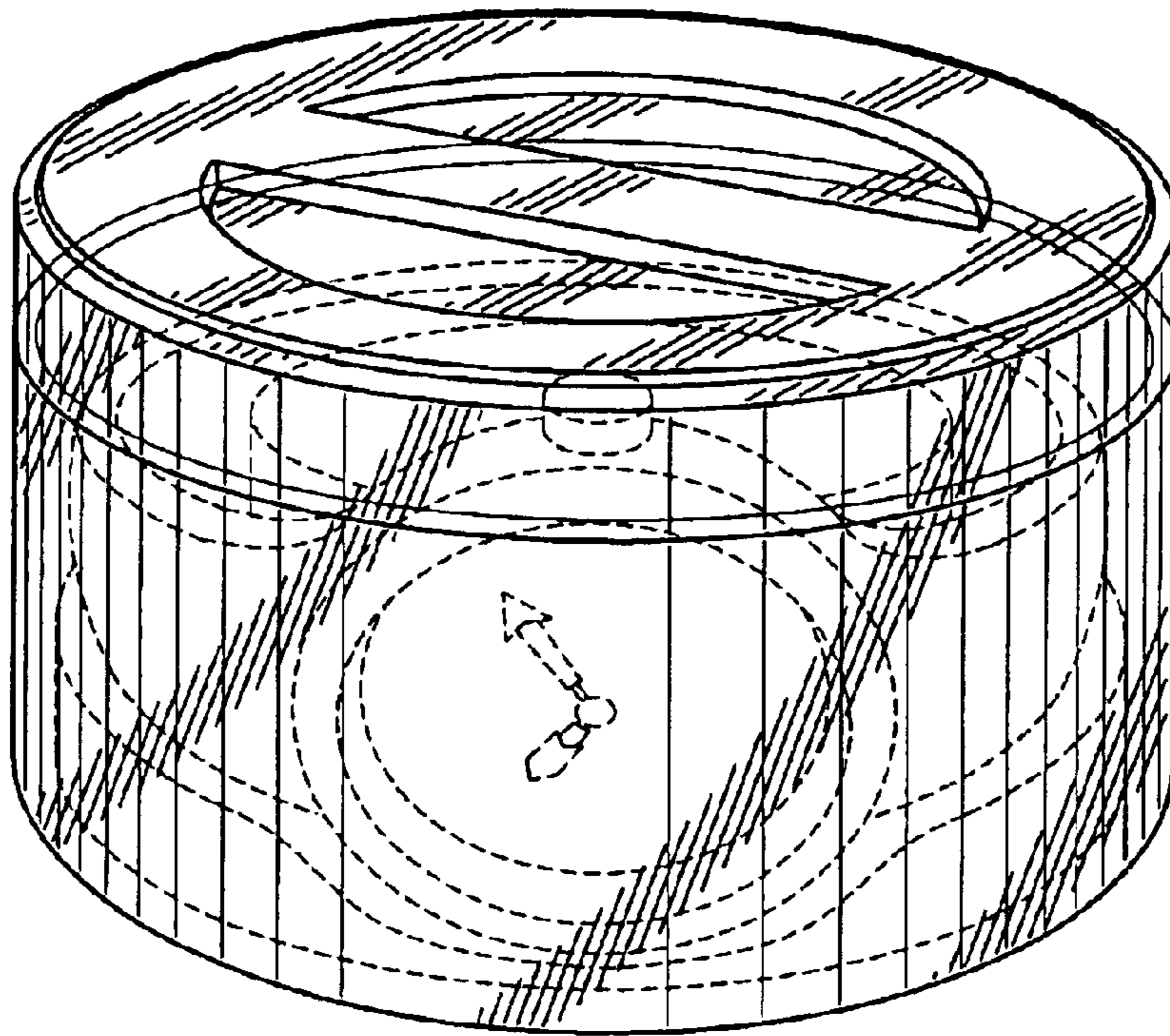


FIG. 1

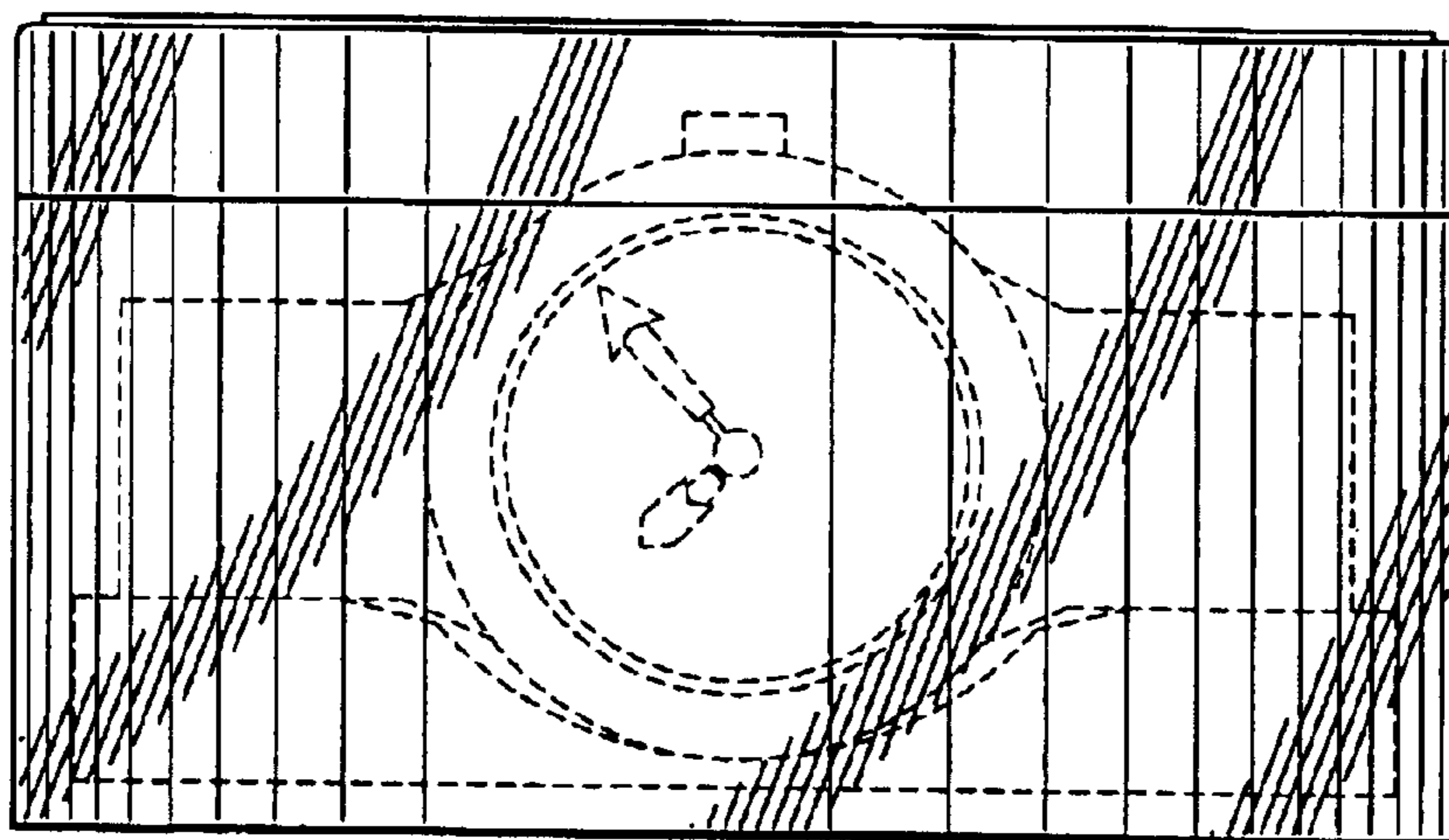


FIG. 2

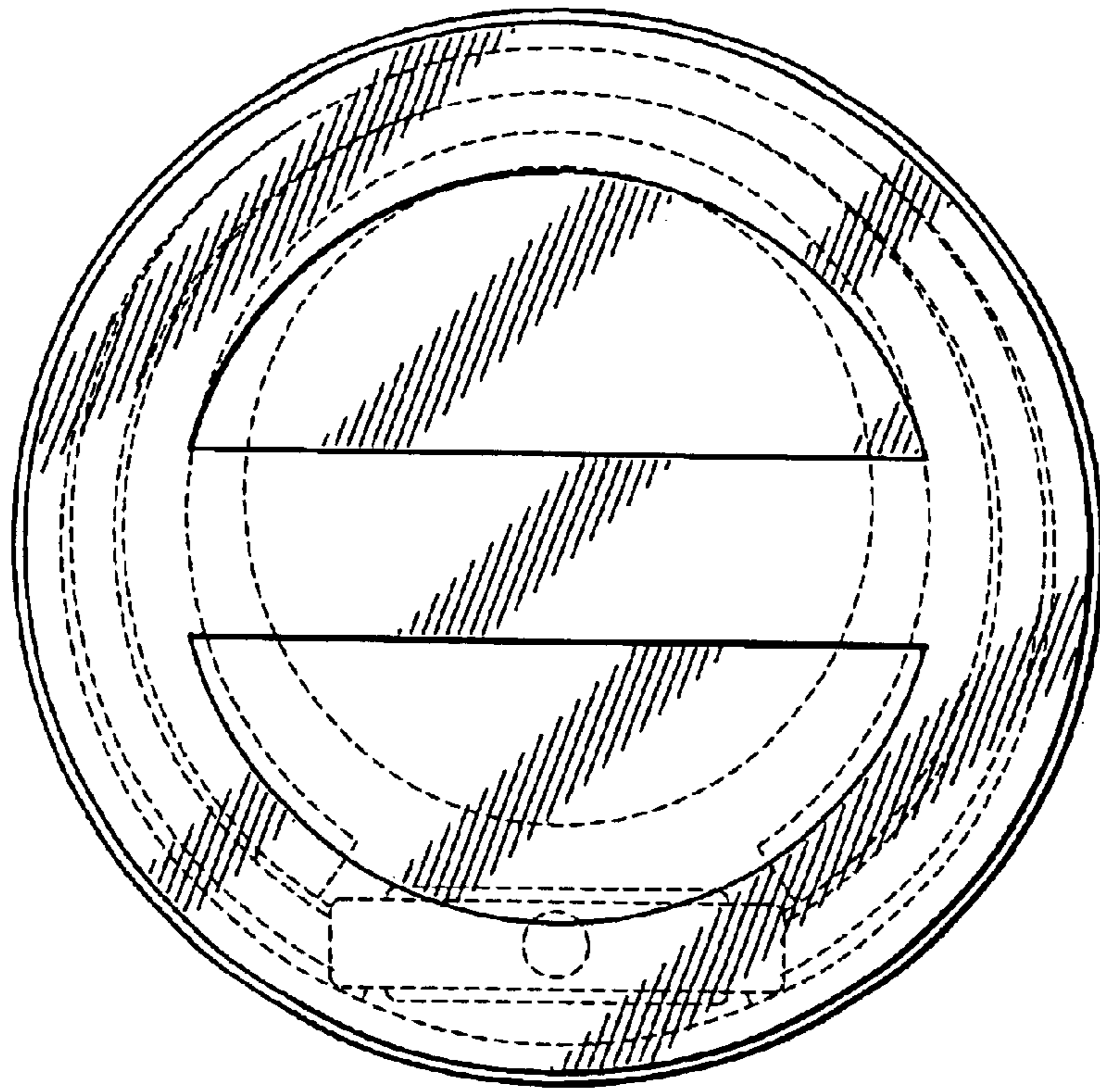


FIG. 3

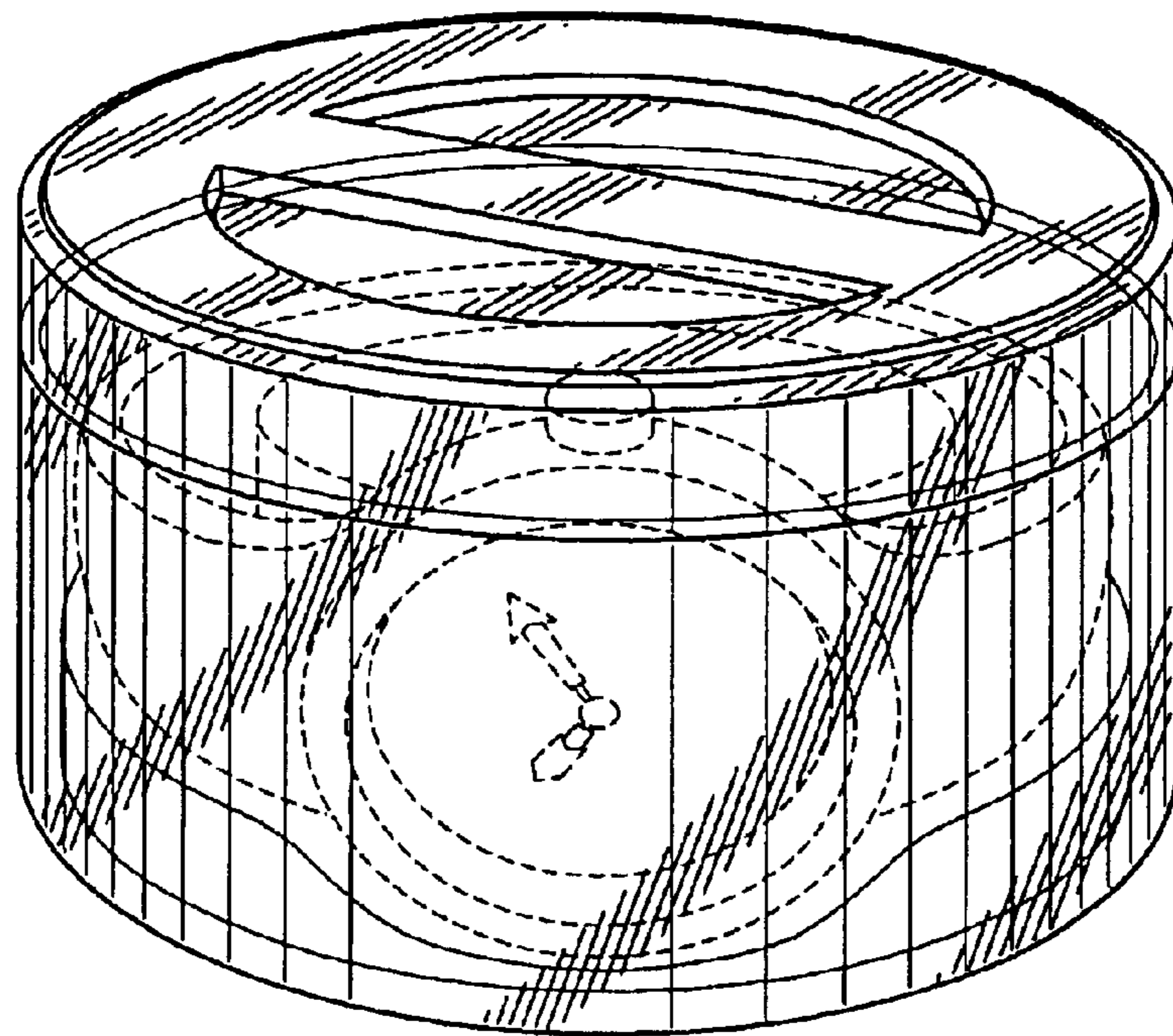


FIG. 4