

US00D493718S1

(12) **United States Design Patent**  
**Durdon**

(10) **Patent No.:** **US D493,718 S**

(45) **Date of Patent:** **\*\* Aug. 3, 2004**

(54) **DISPOSABLE CUP LID**

(75) **Inventor:** **Terrance N. Durdon, Guelph (CA)**

(73) **Assignee:** **Amhil Enterprises, Mississauga (CA)**

(\*\*) **Term:** **14 Years**

(21) **Appl. No.:** **29/150,141**

(22) **Filed:** **Nov. 9, 2001**

(51) **LOC (7) Cl. .... 09-07**

(52) **U.S. Cl. .... D9/435**

(58) **Field of Search** ..... D9/435, 438, 447,  
D9/454; D7/510, 511, 629, 392, 392.1;  
215/254; 220/270, 271, 711, 712-714

(56) **References Cited**

**U.S. PATENT DOCUMENTS**

D274,502 S \* 7/1984 Little ..... D9/438  
D390,465 S \* 2/1998 Frye ..... D9/447

5,839,601 A \* 11/1998 Van Melle ..... 220/712  
5,947,323 A \* 9/1999 Freek et al. .... 220/709  
6,089,397 A \* 7/2000 Van Melle ..... 220/270  
6,260,727 B1 \* 7/2001 Durdon ..... 220/254.3  
D447,412 S \* 9/2001 Durdon ..... D9/438

\* cited by examiner

*Primary Examiner*—Dominic Simone

(74) *Attorney, Agent, or Firm*—Marks & Clerk

(57) **CLAIM**

The ornamental design for a disposable cup lid, as shown and described.

**DESCRIPTION**

FIG. 1 is a perspective view from above of a first embodiment of the disposable cup lid; and, FIG. 2 is a perspective view from above of a variation of the embodiment of FIG. 1.

**1 Claim, 2 Drawing Sheets**

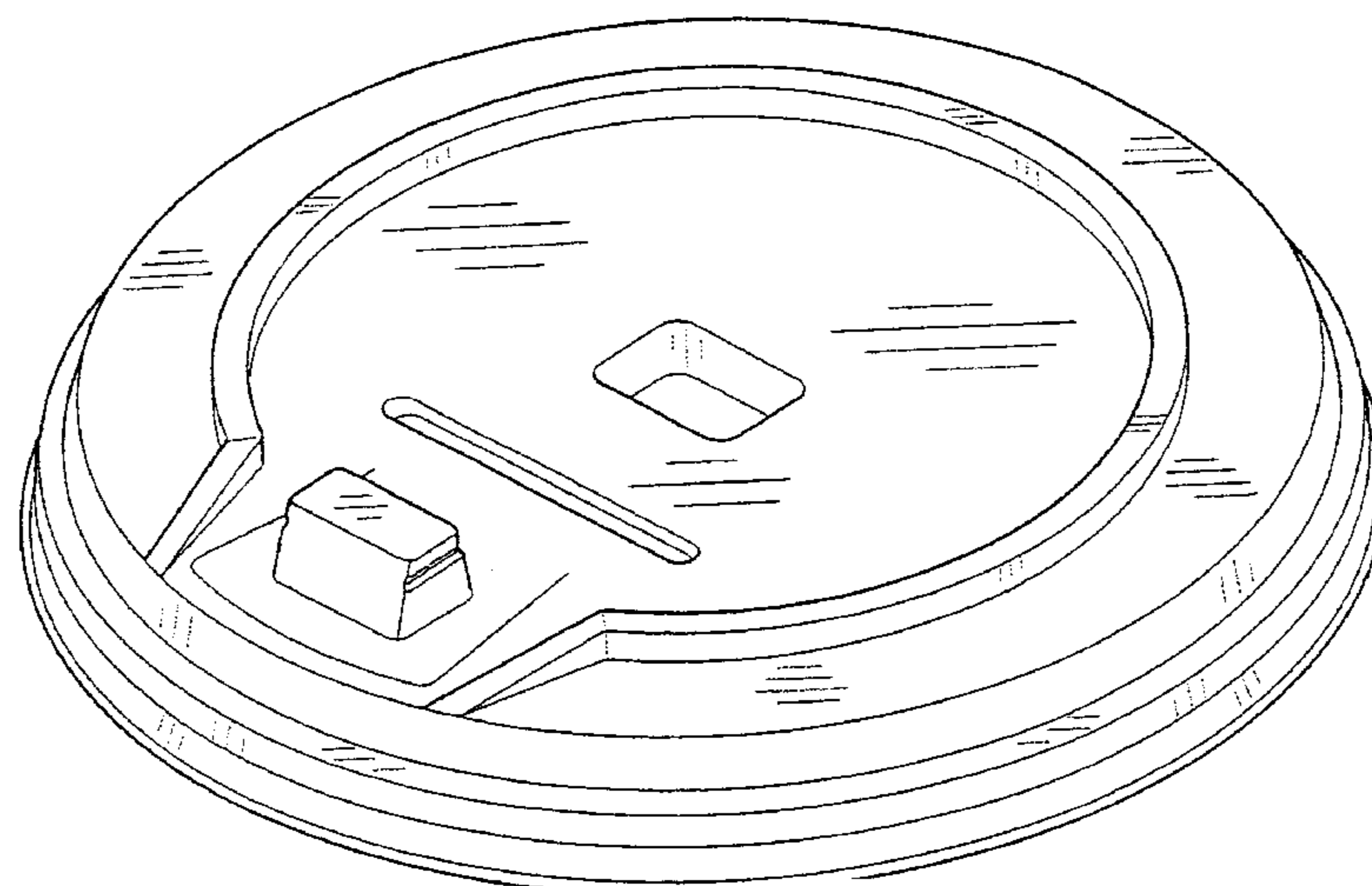
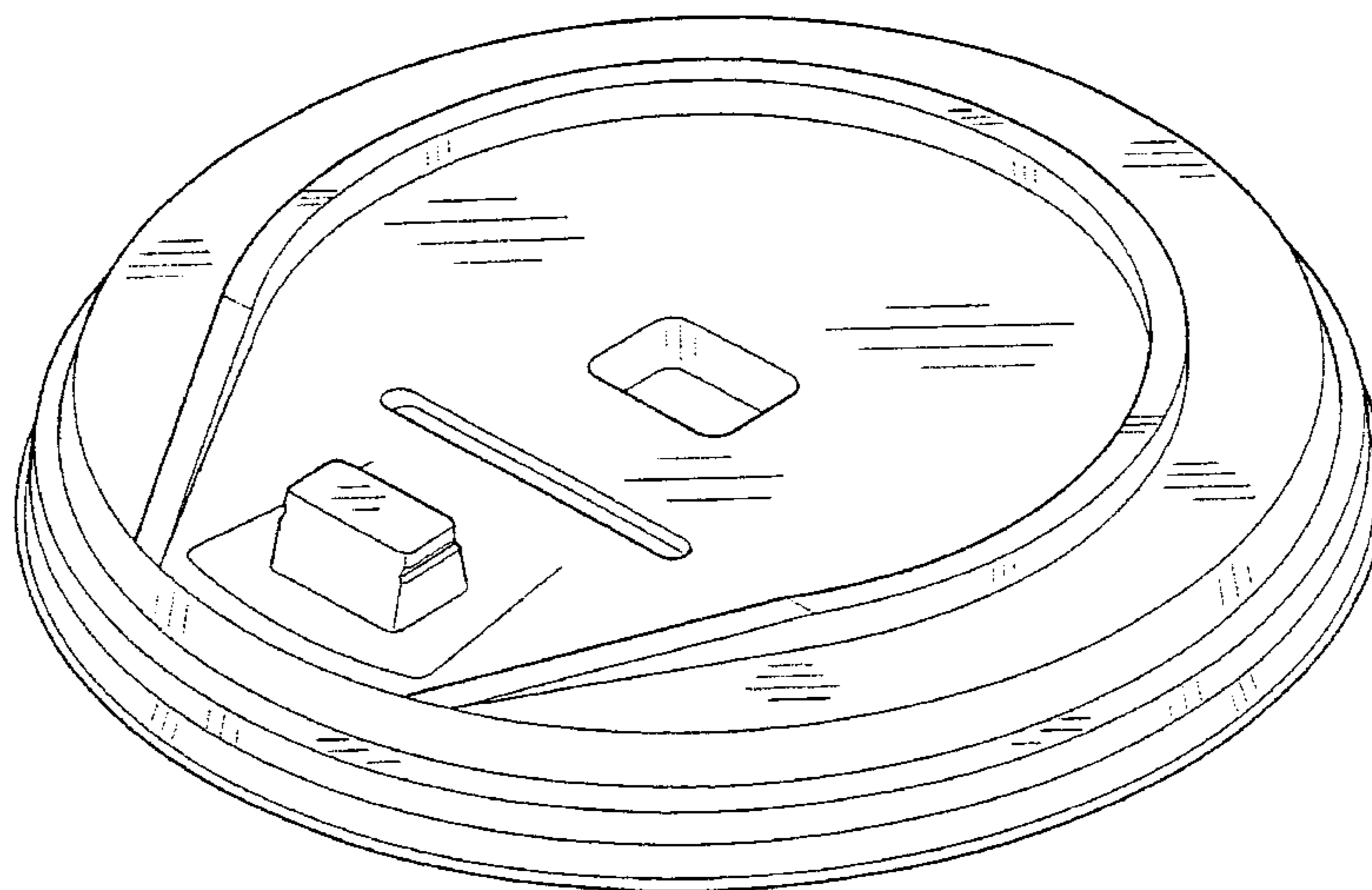


Figure 1

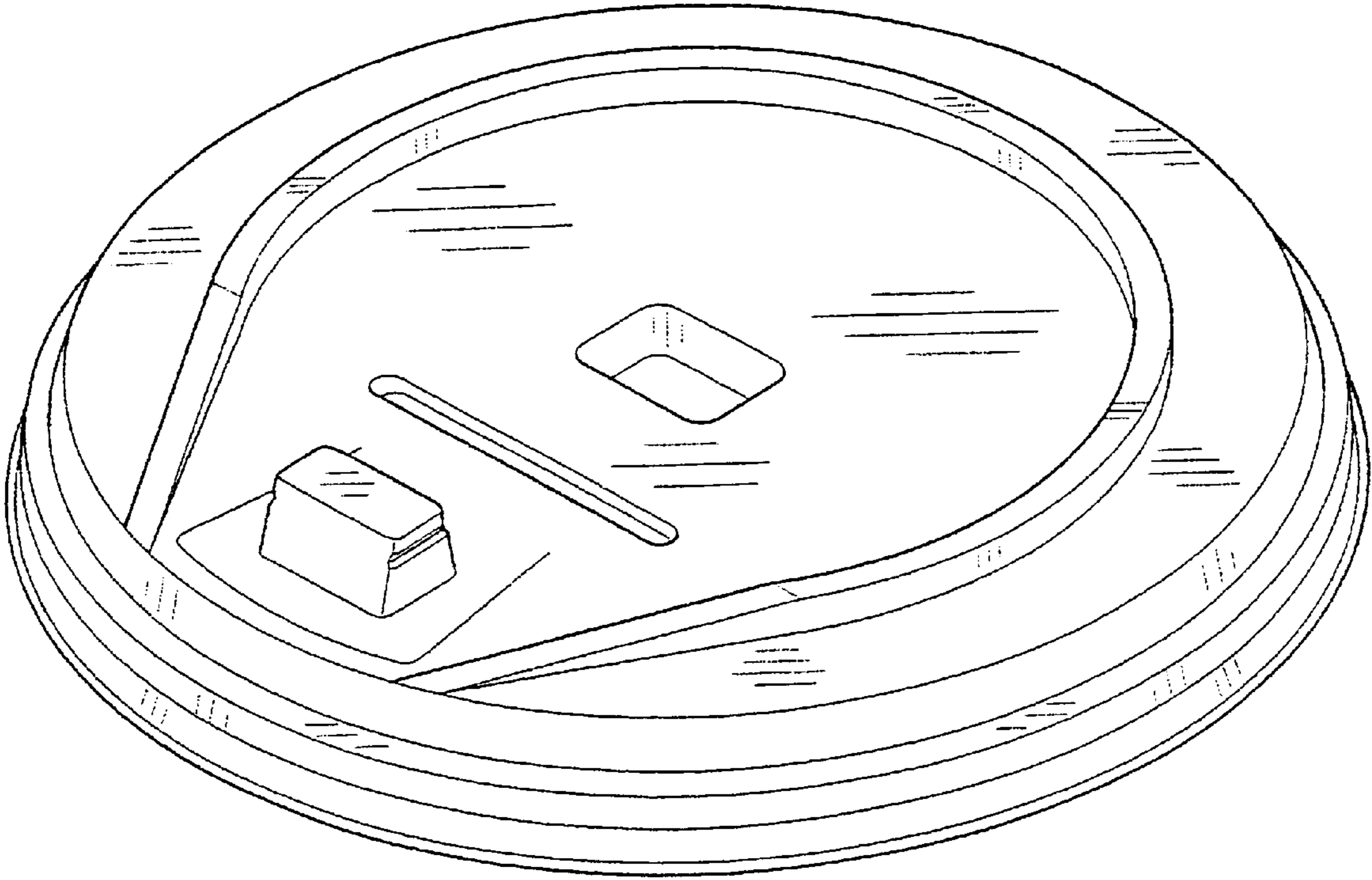


Figure 2

