

US00D493709S1

(12) **United States Design Patent**  
**Tamez**

(10) **Patent No.:** **US D493,709 S**

(45) **Date of Patent:** **\*\* Aug. 3, 2004**

(54) **HELMET SHAPED DISPENSER**

(76) **Inventor:** **Elias Tamez**, P.O. Box 532, Mabton,  
WA (US) 98935

(\*\*) **Term:** **14 Years**

(21) **Appl. No.:** **29/175,910**

(22) **Filed:** **Feb. 11, 2003**

(51) **LOC (7) Cl.** ..... **09-01**

(52) **U.S. Cl.** ..... **D9/320; D9/307; D28/67**

(58) **Field of Search** ..... **D9/307, 319, 320,**  
**D9/337-338; D11/157, 99, 133; D21/659-660;**  
**D28/67; D29/102, 106**

(56) **References Cited**

**U.S. PATENT DOCUMENTS**

D349,630 S	*	8/1994	Redmon	.....	D9/307
D387,660 S	*	12/1997	Packard	.....	D9/307
D452,649 S	*	1/2002	Davis	.....	D9/320
D460,441 S	*	7/2002	Neil	.....	D21/659

\* cited by examiner

*Primary Examiner*—Sandra L. Morris

(74) *Attorney, Agent, or Firm*—Marger, Johnson &  
McCullom, PC

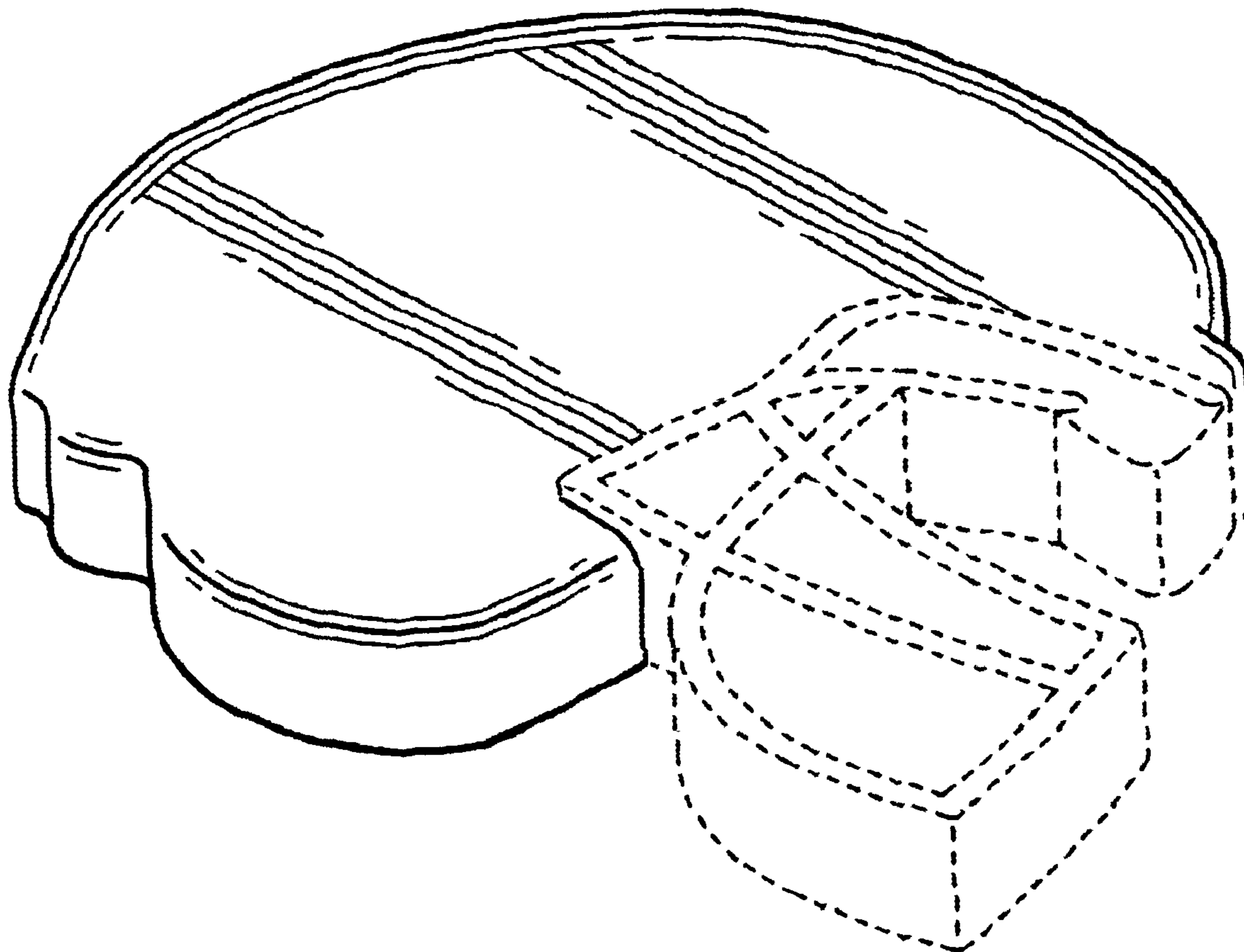
(57) **CLAIM**

The ornamental design for the helmet shaped dispenser, as shown and described.

**DESCRIPTION**

FIG. 1 is a perspective view for a helmet shape thereof;  
FIG. 2 is a top plan view for a helmet shape thereof;  
FIG. 3 is a front elevation view for a helmet shape thereof;  
FIG. 4 is a rear elevation view for a helmet shape thereof;  
FIG. 5 is a left side elevation view for a helmet shape thereof;  
FIG. 6 is a right side elevation view for a helmet shape thereof; and,  
FIG. 7 is a bottom plan view for a helmet shape thereof.  
The dashed line showing in FIGS. 1-7 is for illustrative purposes only and forms no part of the claimed design.

**1 Claim, 2 Drawing Sheets**



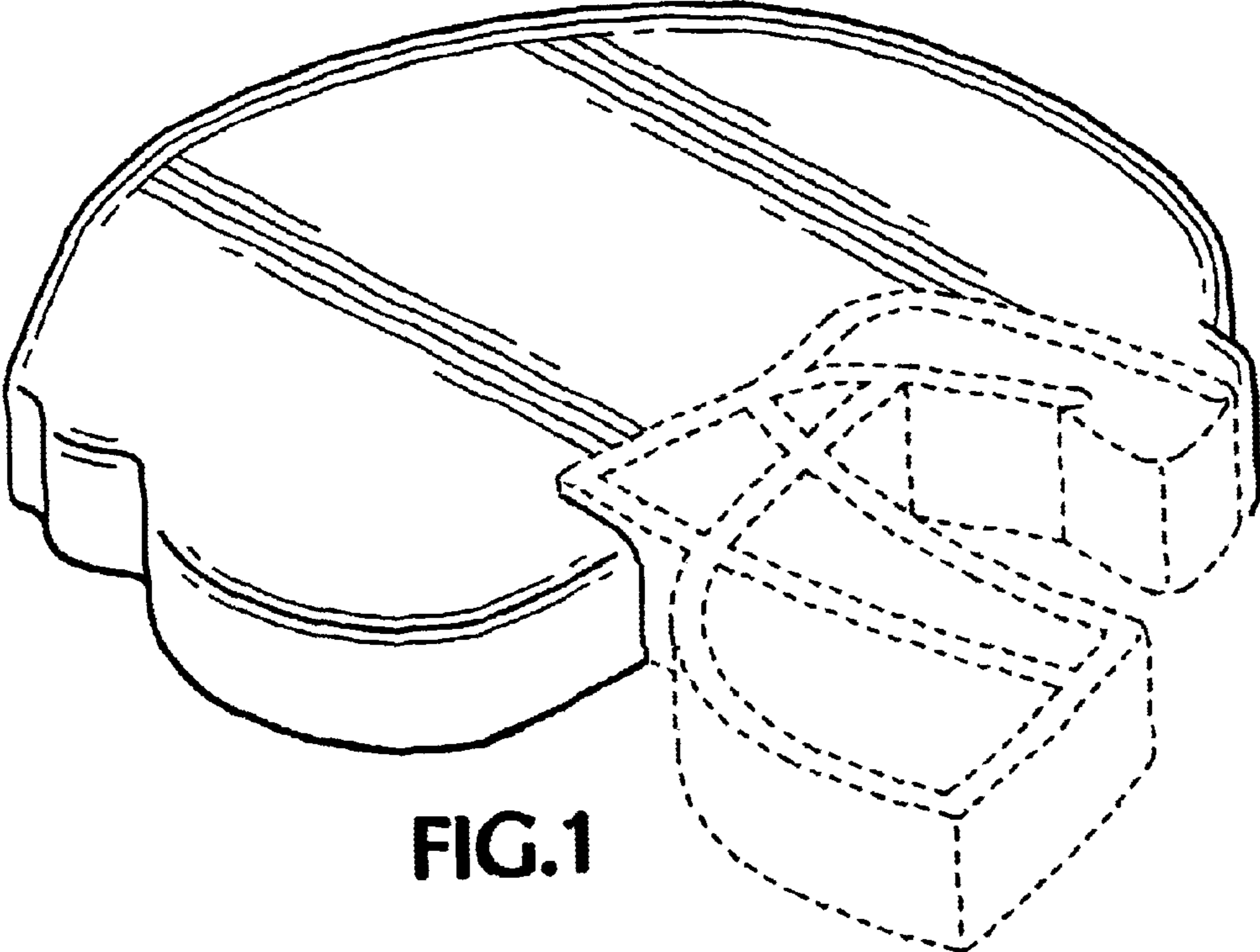


FIG.1

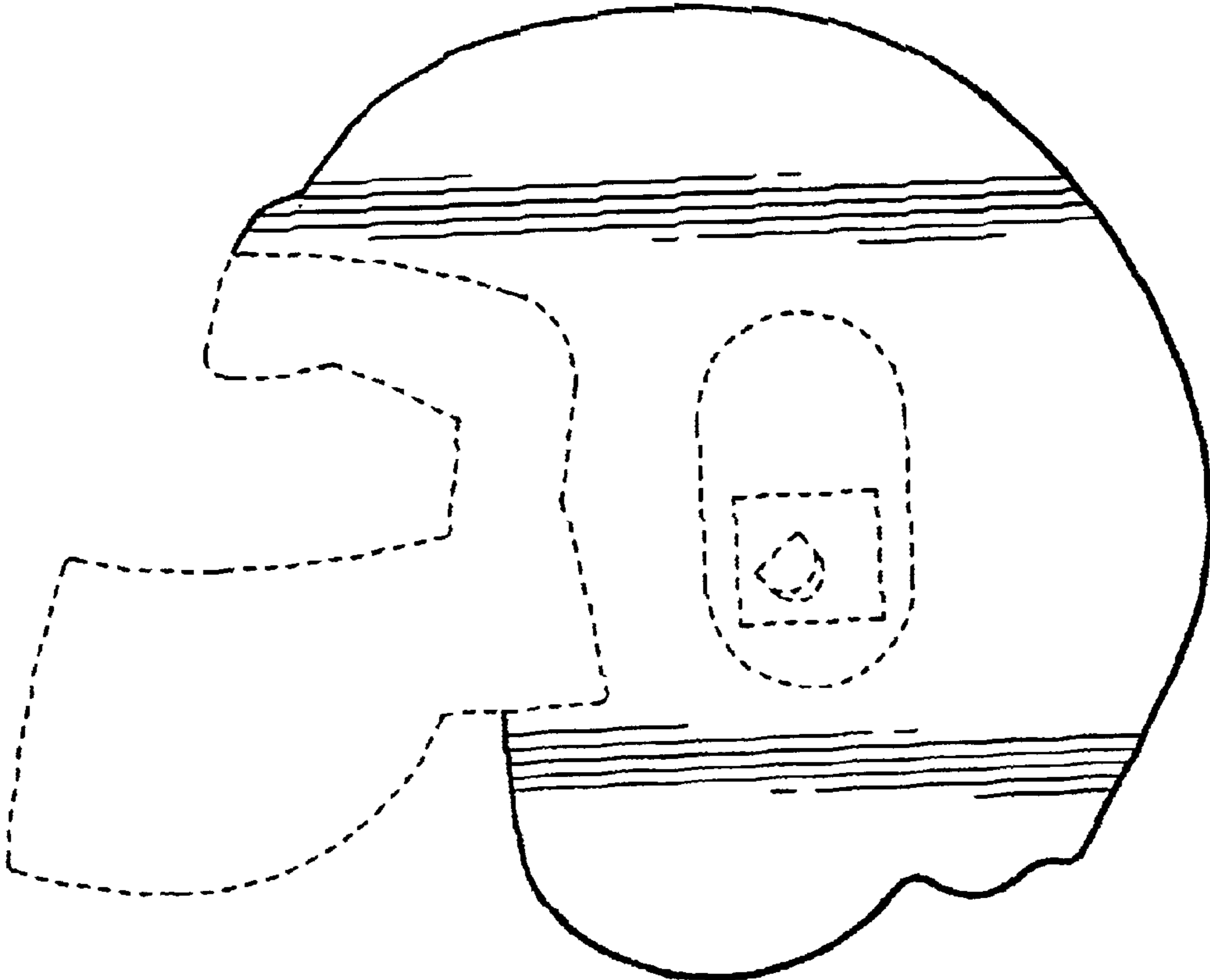


FIG.7



FIG. 4

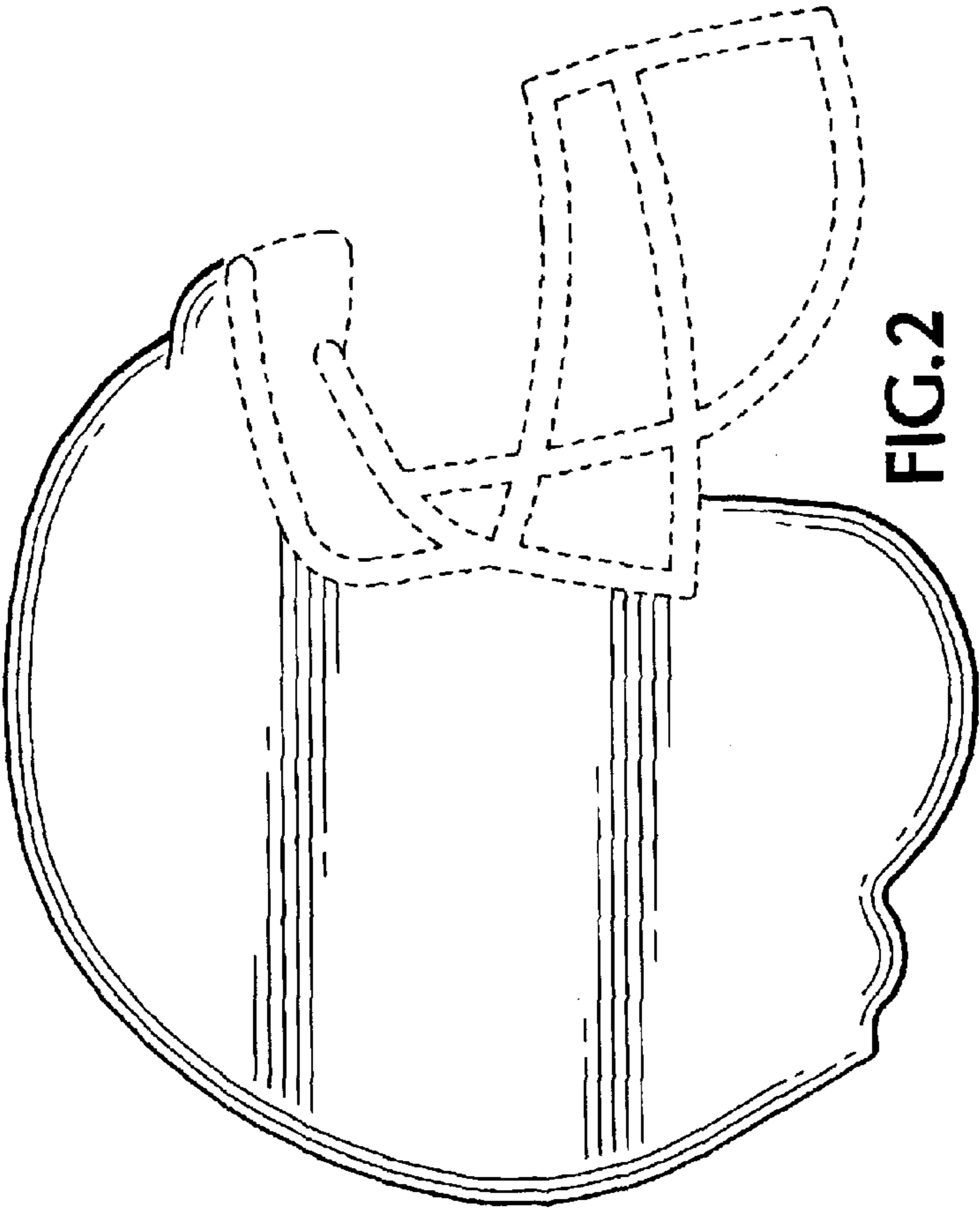


FIG. 2

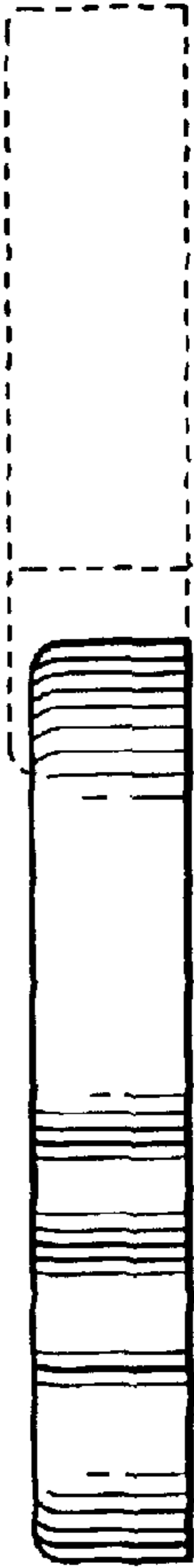


FIG. 3

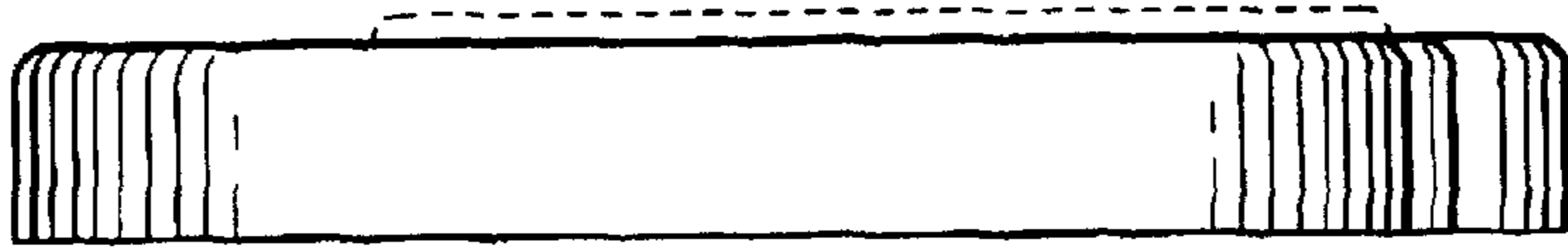


FIG. 5



FIG. 6