

US00D493706S1

(12) **United States Design Patent**
Nebesnak et al.

(10) **Patent No.:** **US D493,706 S**

(45) **Date of Patent:** **** Aug. 3, 2004**

(54) **SQUARE PLASTIC/METAL COMPOSITE
STRESS PLATE WITH FASTENER**

(75) Inventors: **Edward Nebesnak**, Mine Hill, NJ
(US); **William P. Kuhn**, Boonton, NJ
(US)

(73) Assignee: **Building Materials Investment
Corporation**, Wilmington, DE (US)

(**) Term: **14 Years**

(21) Appl. No.: **29/176,936**

(22) Filed: **Feb. 27, 2003**

(51) **LOC (7) Cl.** **08-08**

(52) **U.S. Cl.** **D8/389**

(58) **Field of Search** D8/388, 389, 399;
411/396, 448, 457-468, 477, 531, 537;
52/410, 481.2, 489.2, 512, 542

(56) **References Cited**

U.S. PATENT DOCUMENTS

- 1,925,774 A * 9/1933 Phillips
- 2,339,841 A * 1/1944 Deuchler et al. 52/489.2
- D263,678 S * 4/1982 Dewey D8/399
- D263,927 S * 4/1982 Dewey D8/399
- 4,361,997 A * 12/1982 DeCaro 52/512
- D271,662 S * 12/1983 Jones D8/399
- 4,574,551 A * 3/1986 Giannuzzi 52/512
- 4,649,689 A * 3/1987 Everman et al. 52/701
- 4,780,039 A * 10/1988 Hartman 411/531
- 4,787,188 A 11/1988 Murphy 52/410
- 4,884,932 A * 12/1989 Meyer 52/410
- 4,894,970 A * 1/1990 Lebraut 52/410

- 4,907,927 A * 3/1990 Choiniere 411/368
- 4,945,699 A * 8/1990 Murphy 52/410
- D310,324 S * 9/1990 Bernacchi et al. D8/399
- 5,049,018 A 9/1991 Murphy 411/488
- 5,066,181 A * 11/1991 Bogel 411/383
- 5,163,798 A 11/1992 McGovern 411/448
- 5,445,477 A * 8/1995 Calandra, Jr. 405/259.1
- 5,546,723 A * 8/1996 Jones 52/698
- 5,778,623 A * 7/1998 Powell 52/410
- 5,797,232 A * 8/1998 Larson 52/408
- 5,915,903 A * 6/1999 Osterle et al. 411/531
- 5,951,225 A * 9/1999 Osterle et al. 411/545
- 6,250,034 B1 * 6/2001 Hulsey 52/410
- 6,282,857 B1 * 9/2001 Rubenacker 52/410
- 6,367,216 B1 * 4/2002 Maylon 52/410

* cited by examiner

Primary Examiner—Clare E Heflin

(74) *Attorney, Agent, or Firm*—Imre Balogh; William J. Davis

(57) **CLAIM**

The ornamental design for the square plastic/metal composite stress plate with fastener, as shown and described.

DESCRIPTION

FIG. 1 is a top perspective view of the square plastic/metal composite stress plate with fastener of the present design; FIG. 2 is a side elevational view of the design, all other sides being identical thereto; FIG. 3 is a top plan view thereof; and, FIG. 4 is a bottom perspective view thereof. The broken lines shown on the drawings are for illustrative purposes only and form no part of the claimed design.

1 Claim, 2 Drawing Sheets

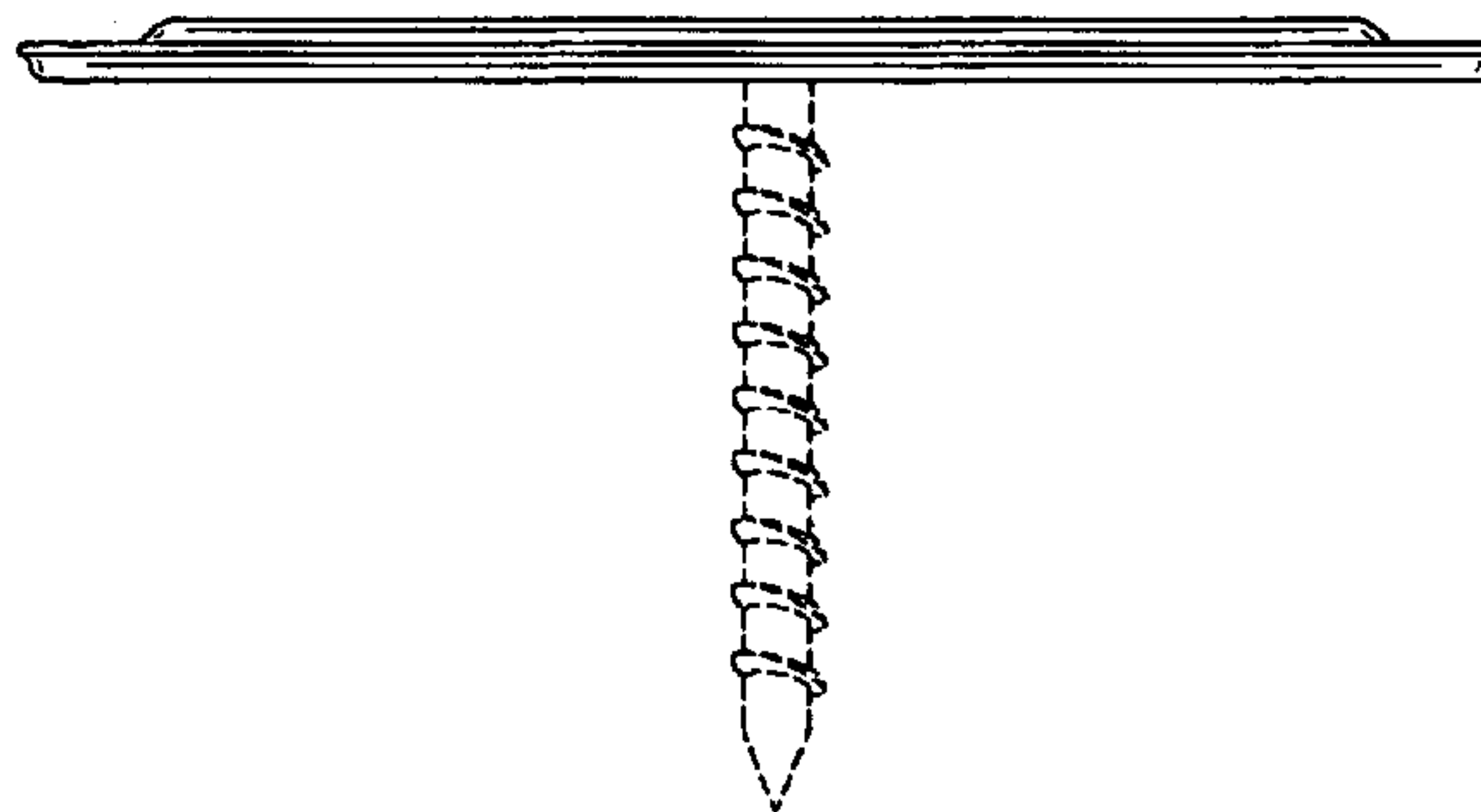
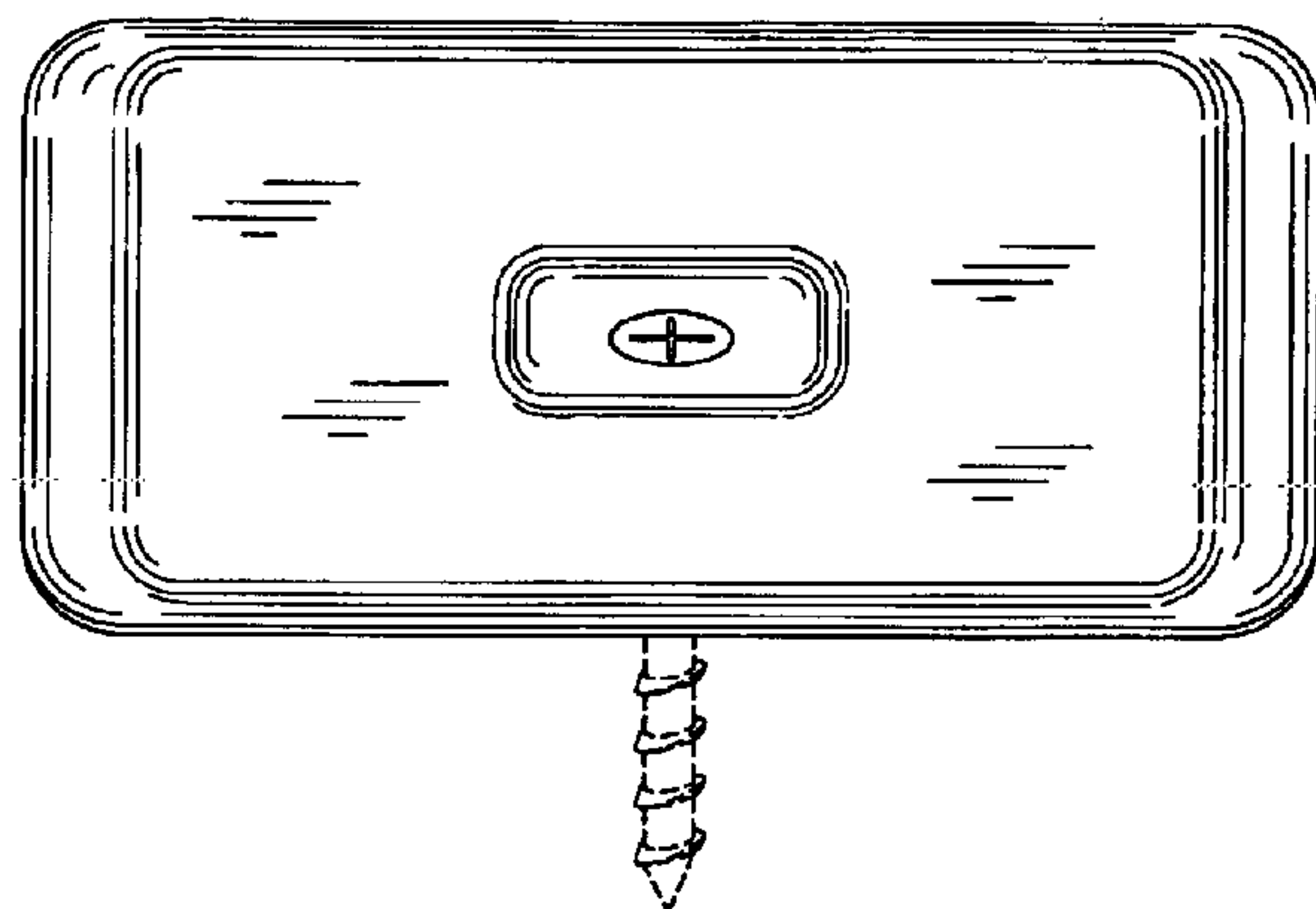


FIG. 1

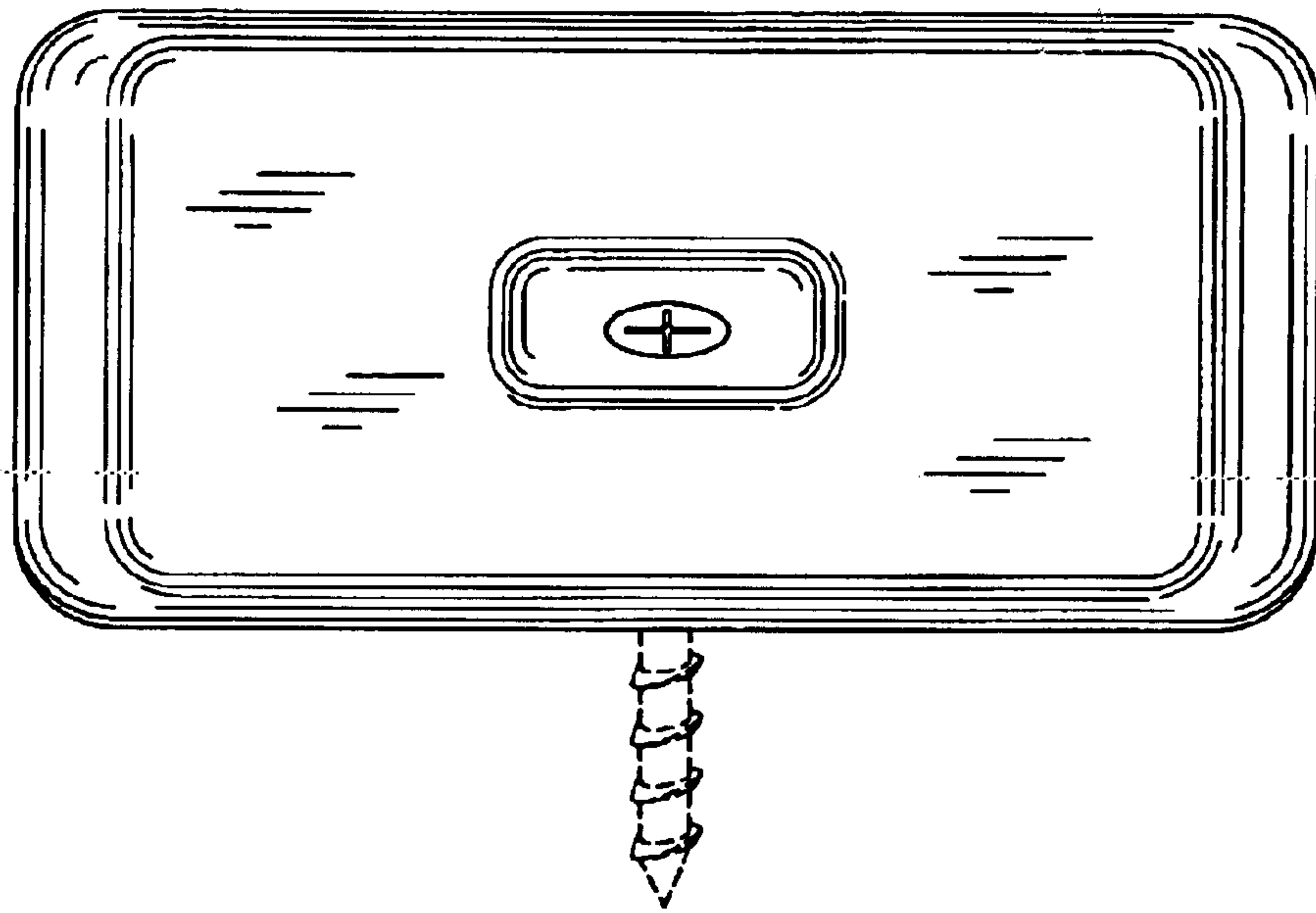


FIG. 2

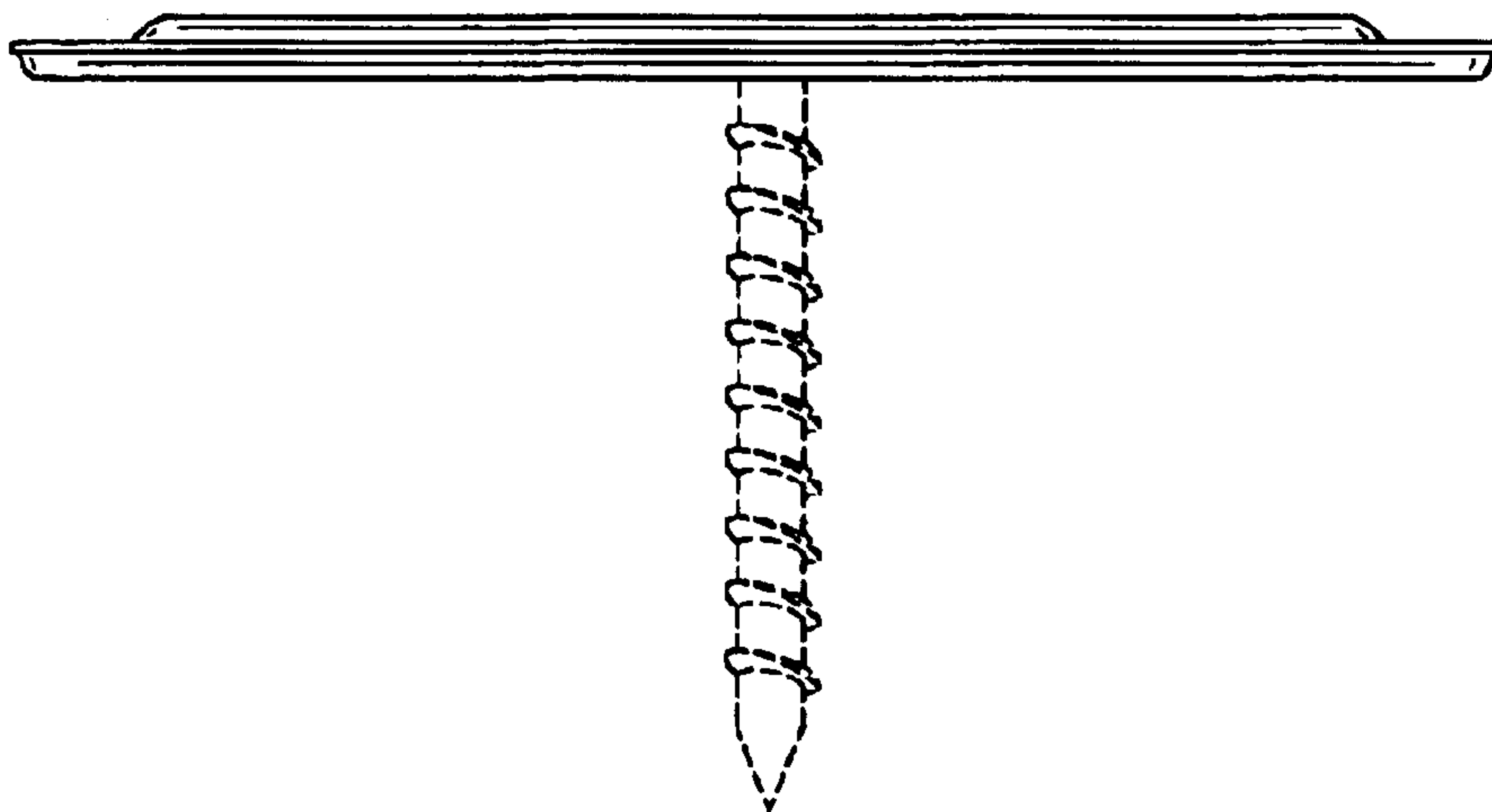


FIG. 3

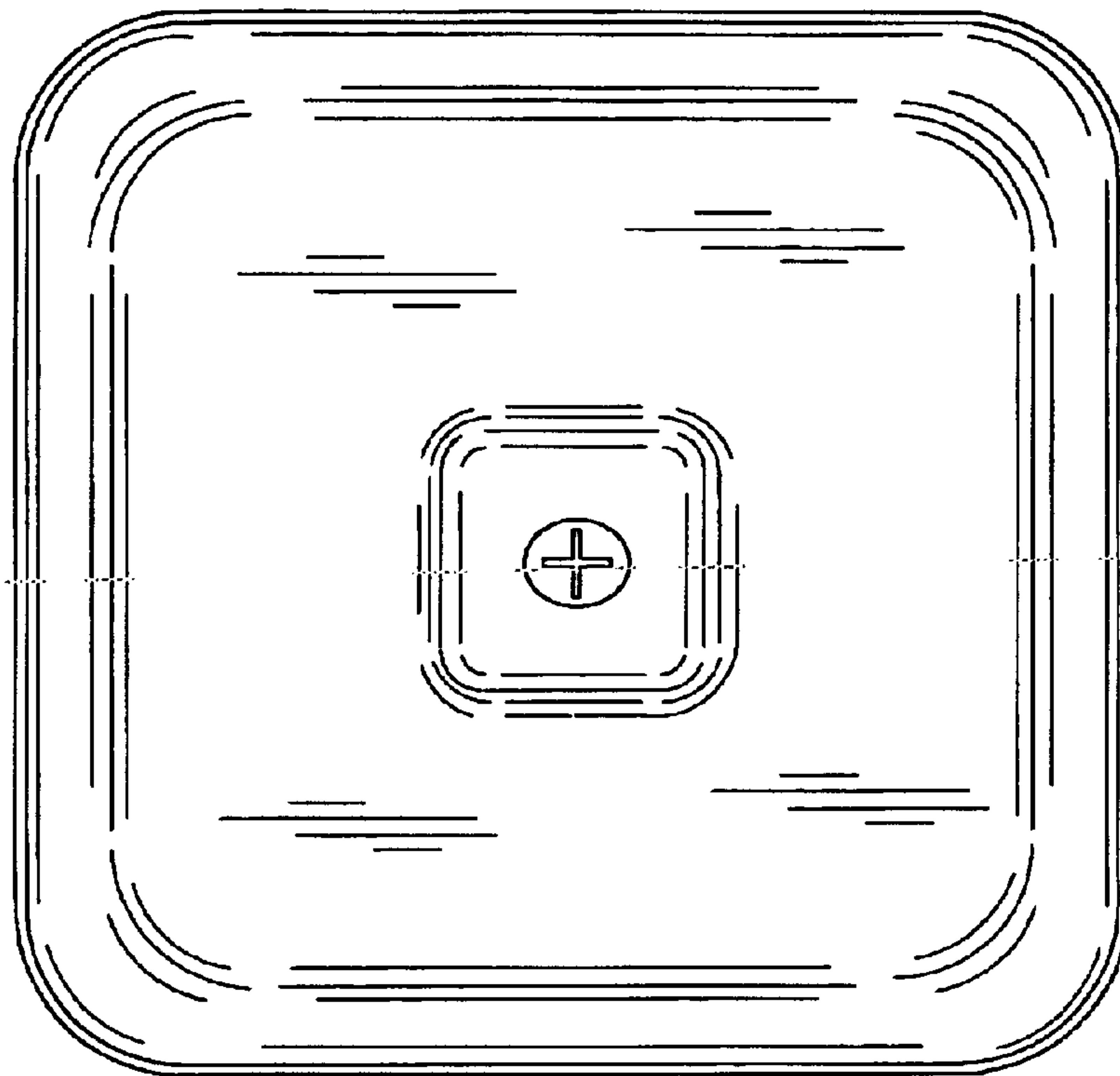


FIG. 4

