



US00D493699S1

(12) **United States Design Patent** (10) **Patent No.:** **US D493,699 S**
Goodman et al. (45) **Date of Patent:** **** Aug. 3, 2004**

(54) **HOOK WITH MOUNTING PLATE**

Spectrum Wire Storage Brochure, Circa 2002, Cover page and 5 pages.

(75) Inventors: **Sheldon H. Goodman**, 30905 Stratford Dr., Solon, OH (US) 44139; **Kent W. Murphy**, Wooster, OH (US)

* cited by examiner

(73) Assignee: **Sheldon H. Goodman**, Solon, OH (US)

Primary Examiner—Holly Baynham

(**) Term: **14 Years**

(74) *Attorney, Agent, or Firm*—Fay, Sharpe, Fagan, Minnich & McKee, LLP

(21) Appl. No.: **29/193,964**

(57) **CLAIM**

(22) Filed: **Nov. 17, 2003**

The ornamental design for hook with mounting plate, as shown and described.

(51) **LOC (7) Cl.** **08-05**

DESCRIPTION

(52) **U.S. Cl.** **D8/367; D8/372**

(58) **Field of Search** D8/367, 372; D6/323, D6/574; 248/301, 304, 215; 211/106, 59.1

FIG. 1 is a perspective view of a first embodiment of a hook with a mounting plate showing our new design;

(56) **References Cited**

FIG. 2 is a right side elevational view thereof, with the left side elevational view being a mirror image thereof;

U.S. PATENT DOCUMENTS

FIG. 3 is a front elevational view thereof;

D400,425 S	11/1998	Goodman et al.	
D408,723 S	4/1999	Goodman et al.	
D409,398 S	* 5/1999	Sweetman	D6/323
D412,658 S	8/1999	Goodman et al.	
D424,816 S	* 5/2000	Snell	D6/323
D439,143 S	3/2001	Goodman et al.	
D455,947 S	4/2002	Goodman et al.	
D463,730 S	* 10/2002	Snell	D8/367
D472,087 S	3/2003	Goodman et al.	
D473,451 S	* 4/2003	Goodman et al.	D8/367
D473,454 S	4/2003	Goodman et al.	
D475,611 S	6/2003	Goodman et al.	
D477,526 S	7/2003	Goodman et al.	

FIG. 4 is a rear elevational view thereof;

FIG. 5 is a top plan view thereof;

FIG. 6 is a bottom plan view thereof;

FIG. 7 is a perspective view of a hook with a mounting plate according to a second embodiment of our new design;

FIG. 8 is a right side elevational view thereof, with the left side elevational view being a mirror image thereof;

FIG. 9 is a front elevational view thereof;

FIG. 10 is a rear elevational view thereof;

FIG. 11 is a top plan view thereof; and,

FIG. 12 is a bottom plan view thereof.

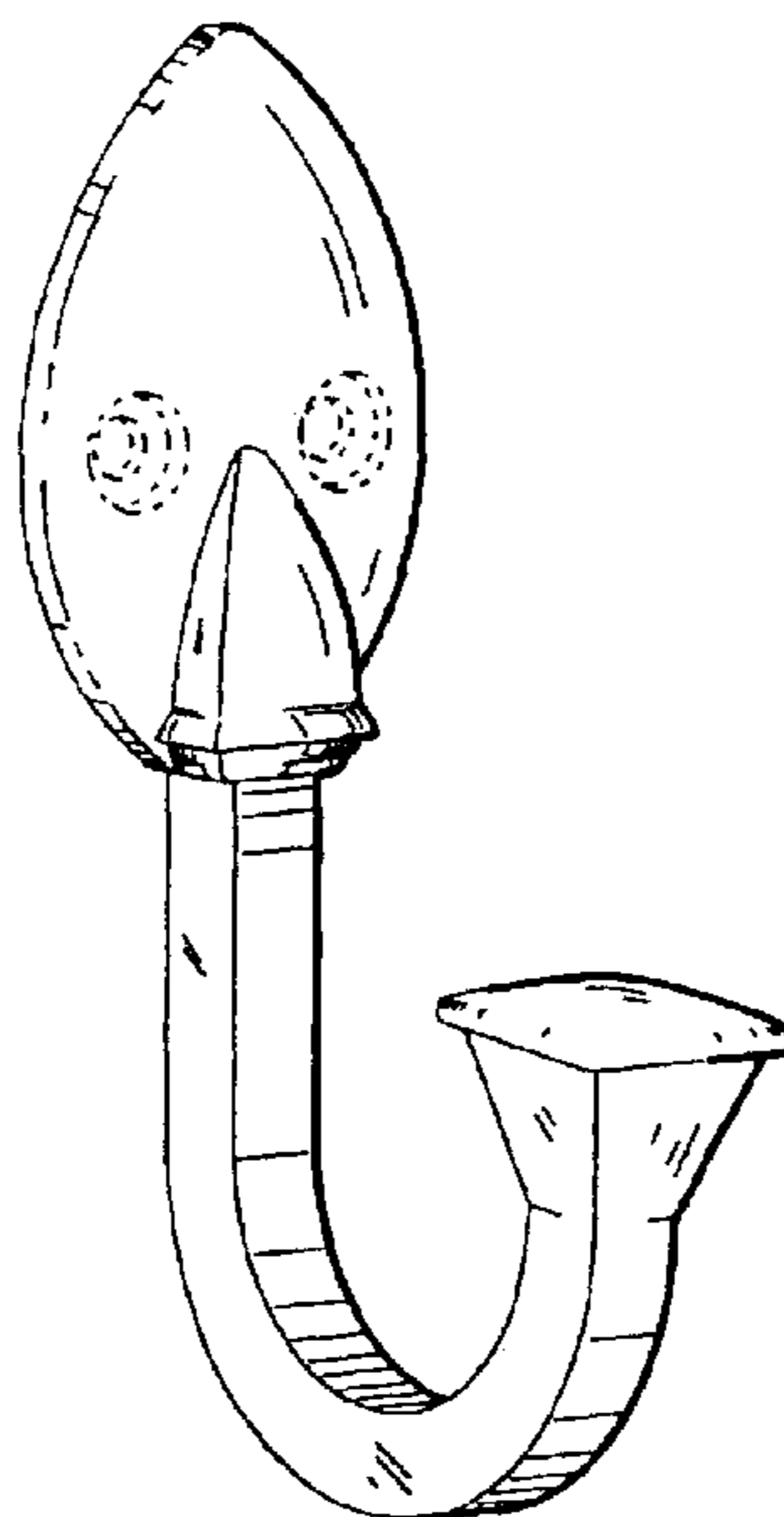
The portions shown in broken lines in FIGS. 1, 3, 4, 7, 9 and 10 form no part of the claimed design.

OTHER PUBLICATIONS

Spectrum New For 2002 New Products Brochure, Circa 2002, Cover page and 7 pages.

Spectrum Hooks and Holders Brochure, Circa 2002, Cover page and 7 pages.

1 Claim, 4 Drawing Sheets



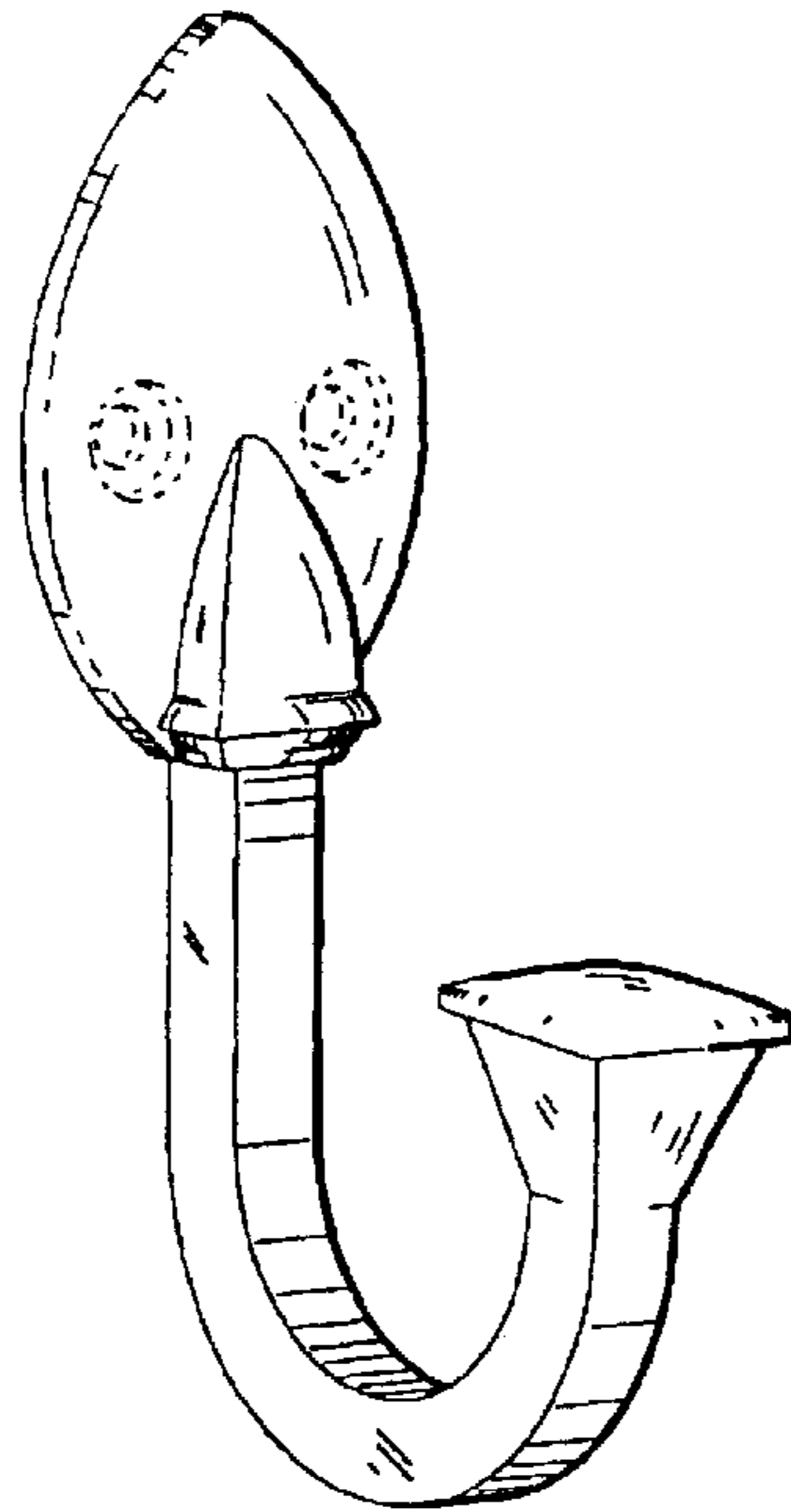


FIG. 1

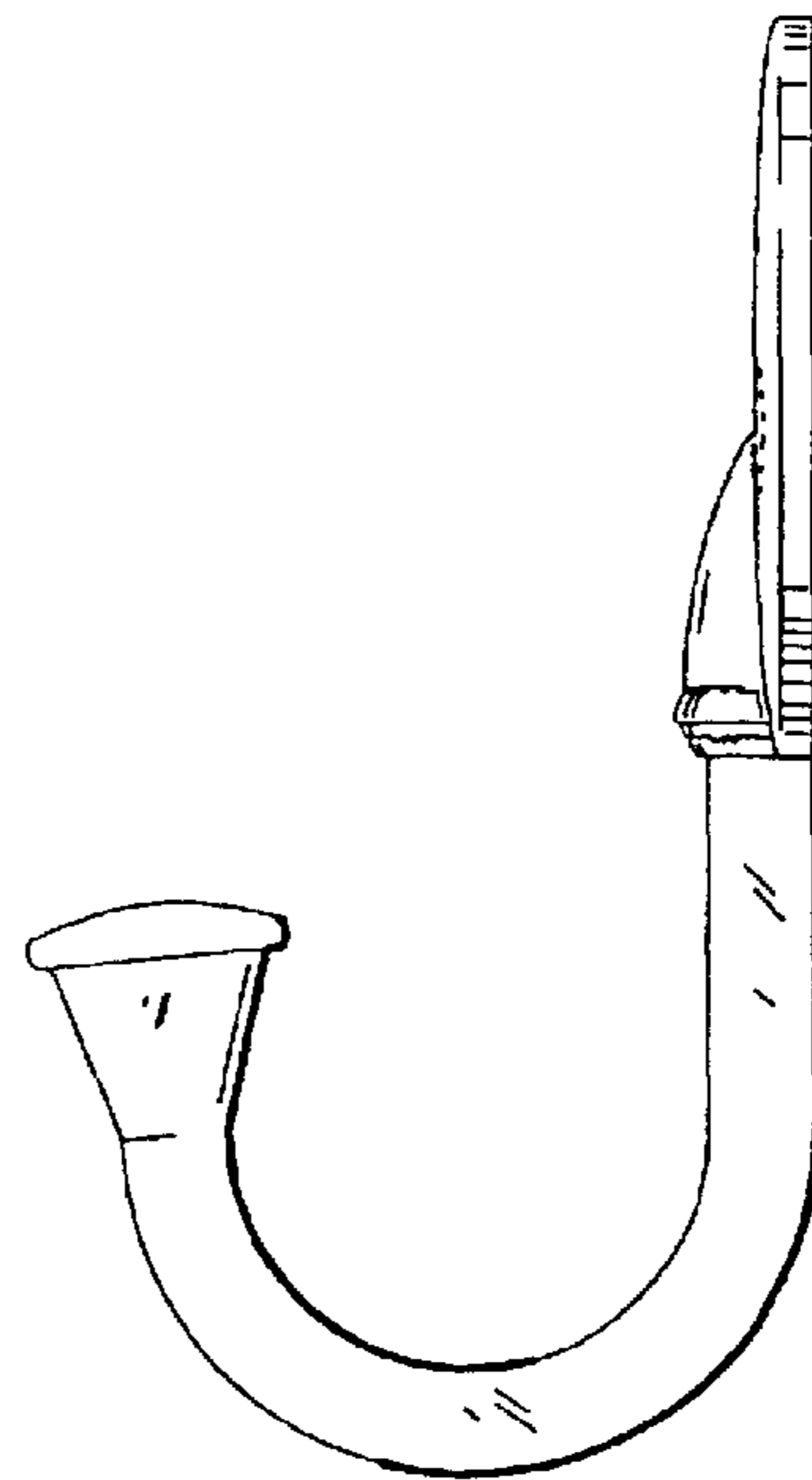


FIG. 2

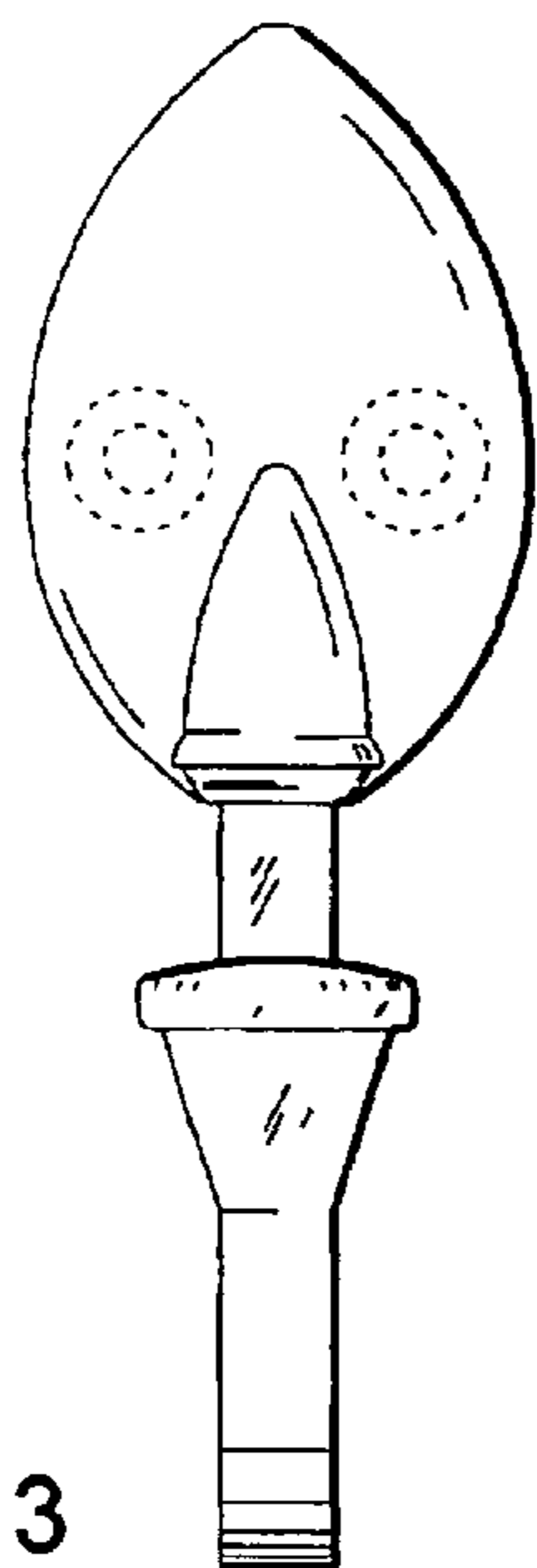


FIG. 3

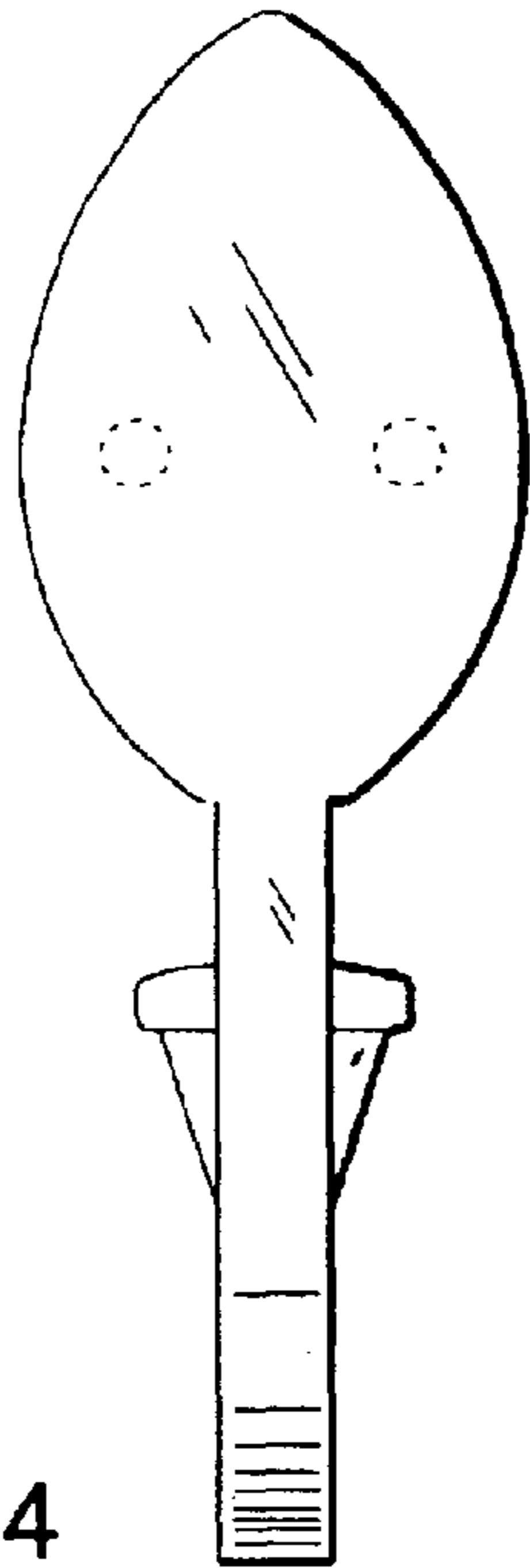


FIG. 4

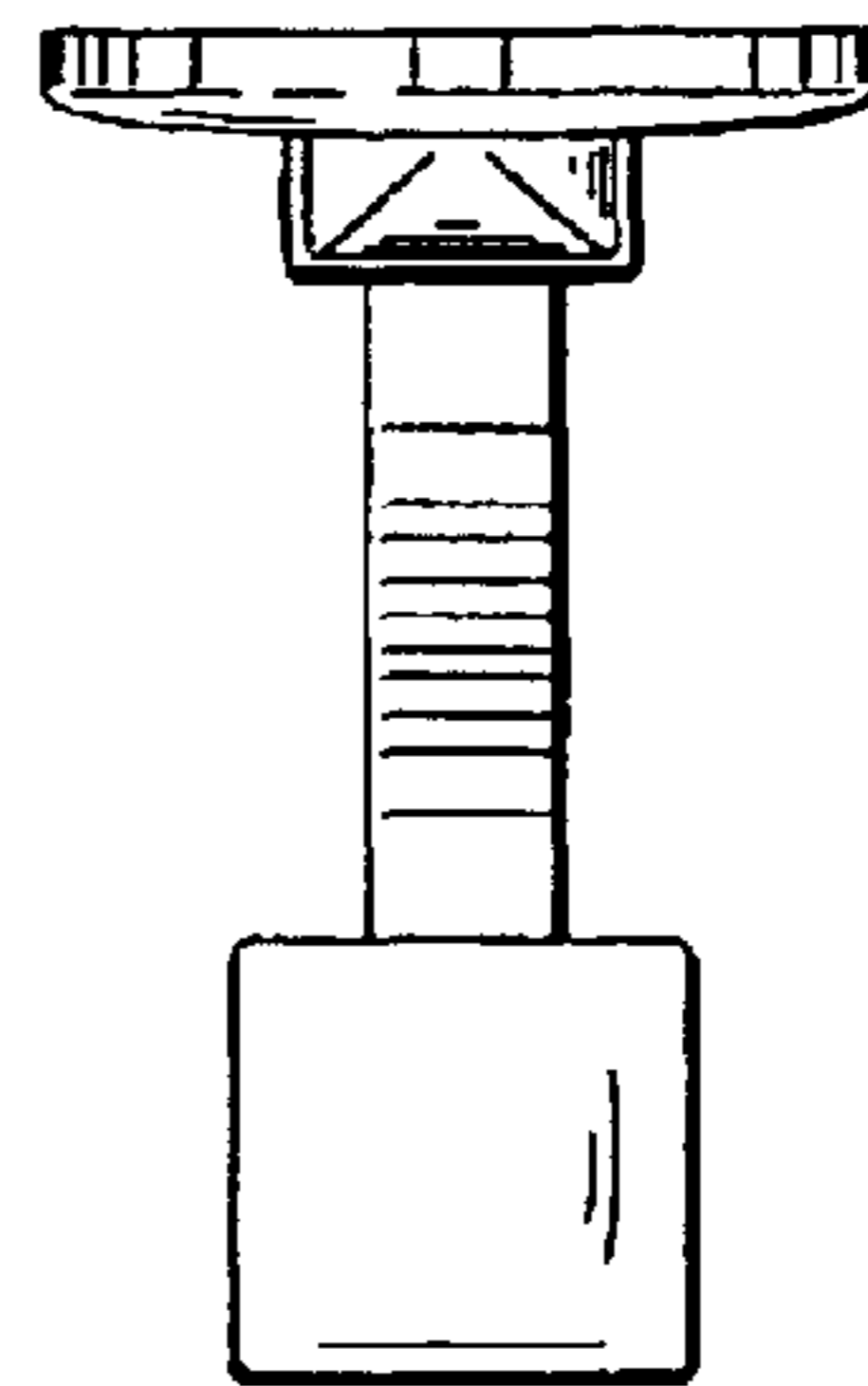


FIG. 5

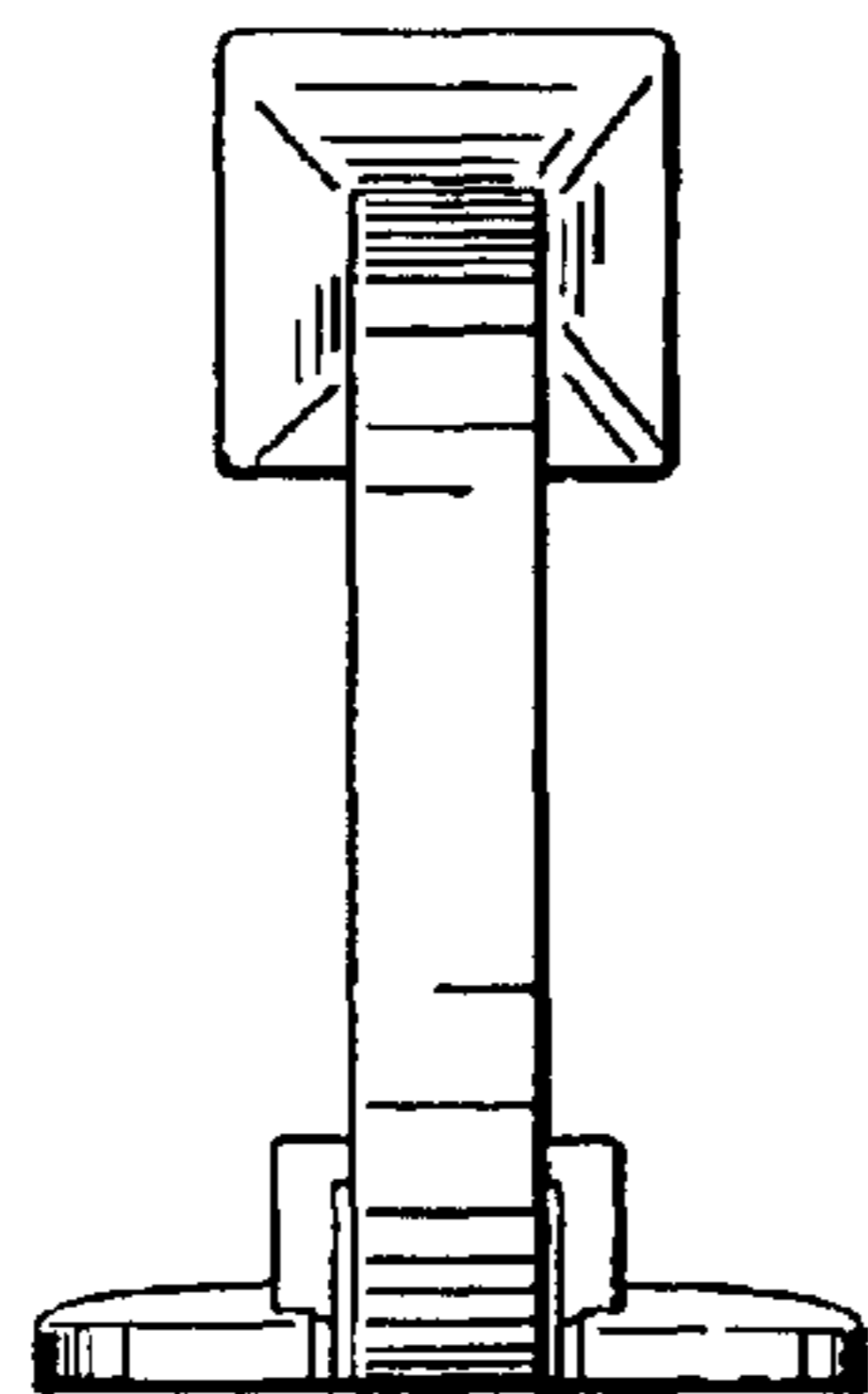


FIG. 6

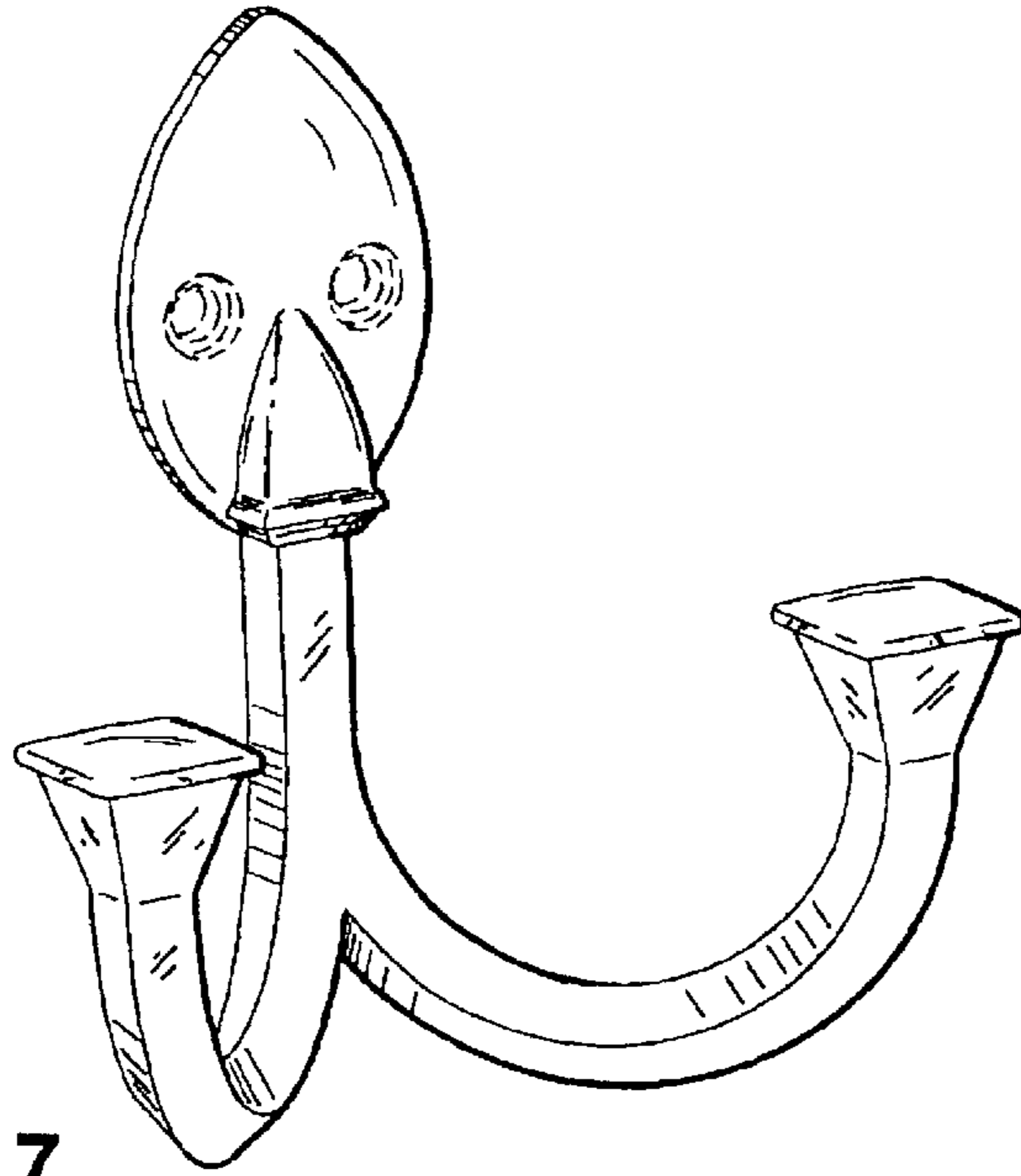


FIG. 7

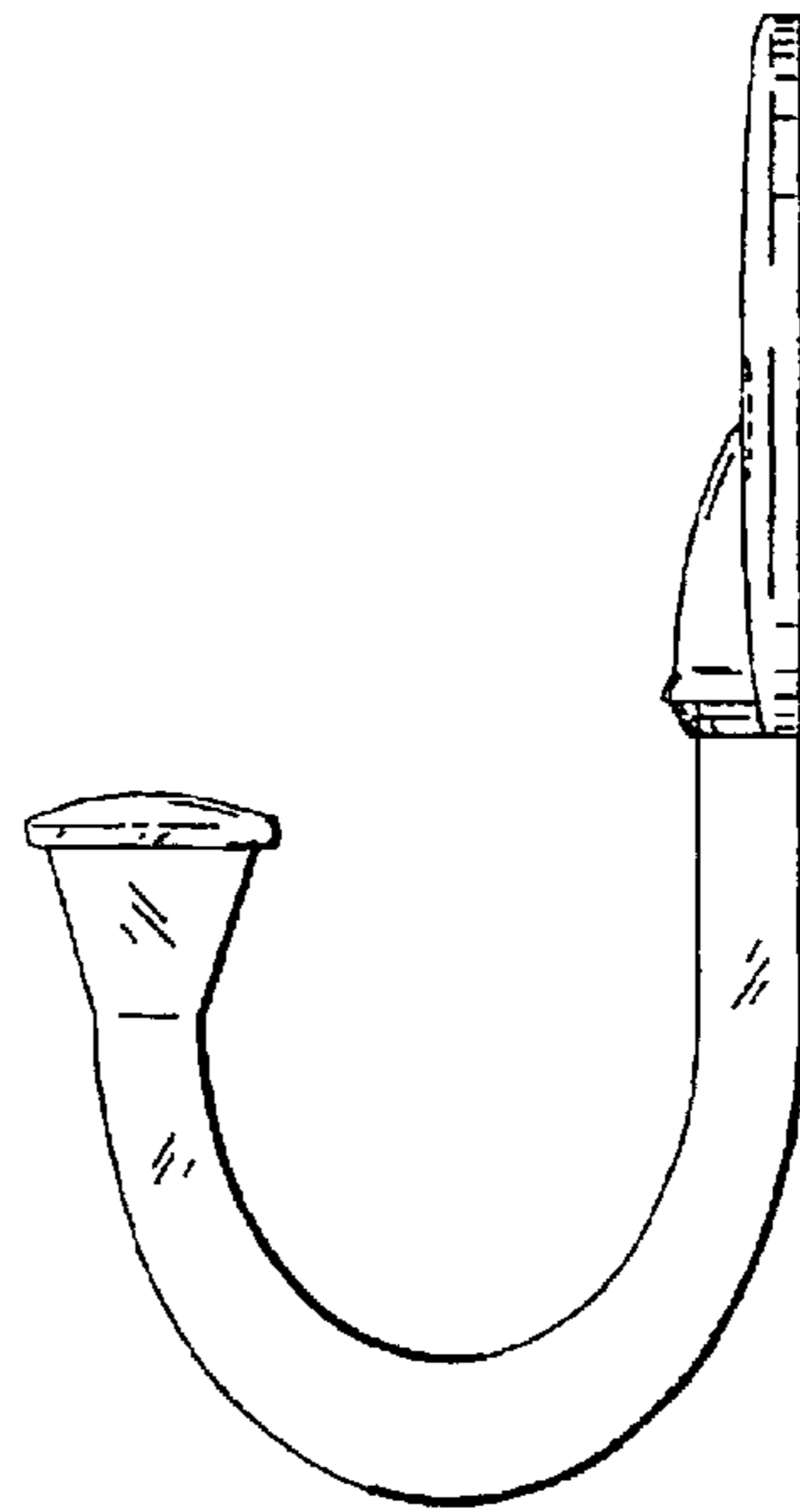


FIG. 8

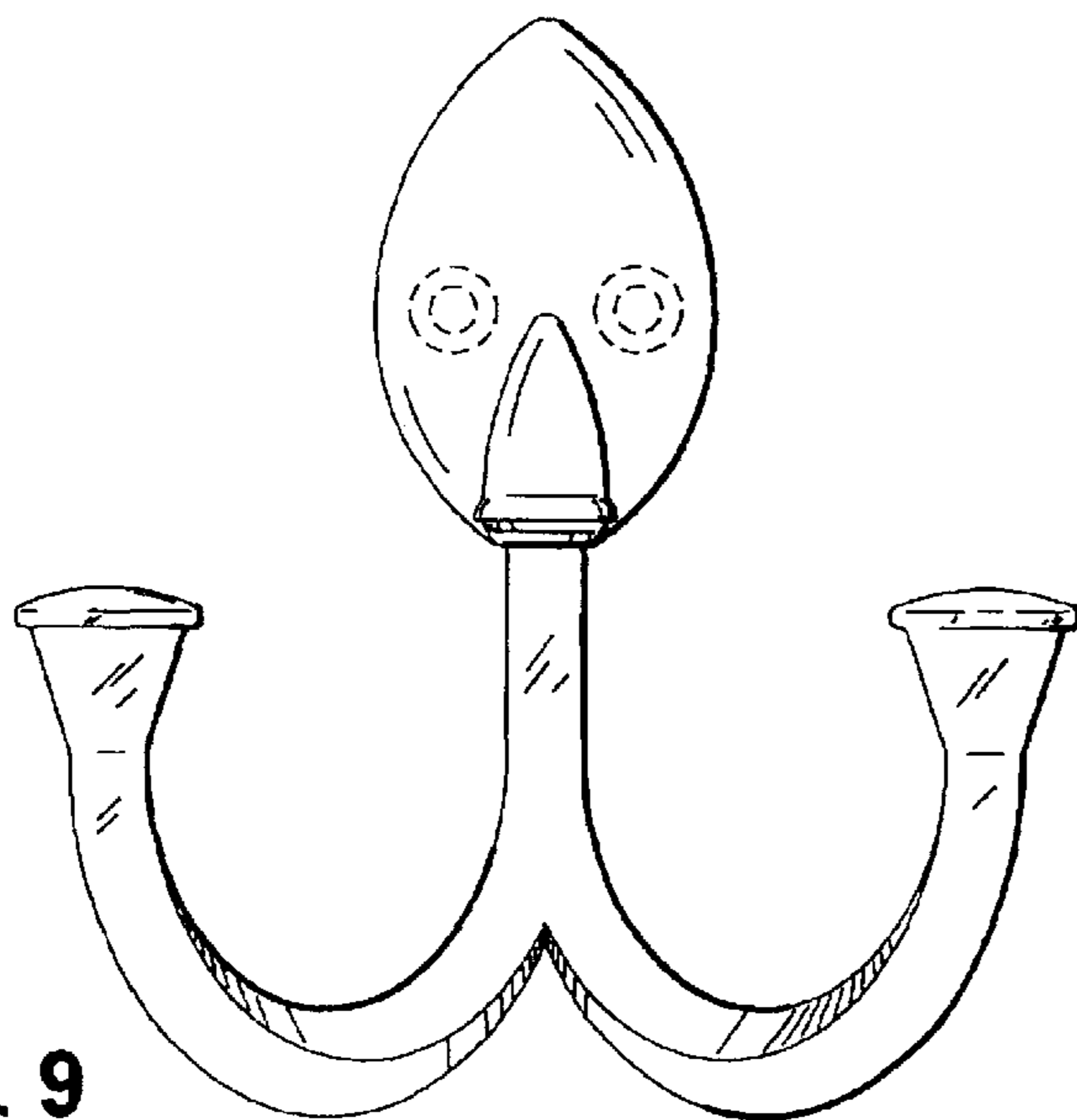


FIG. 9

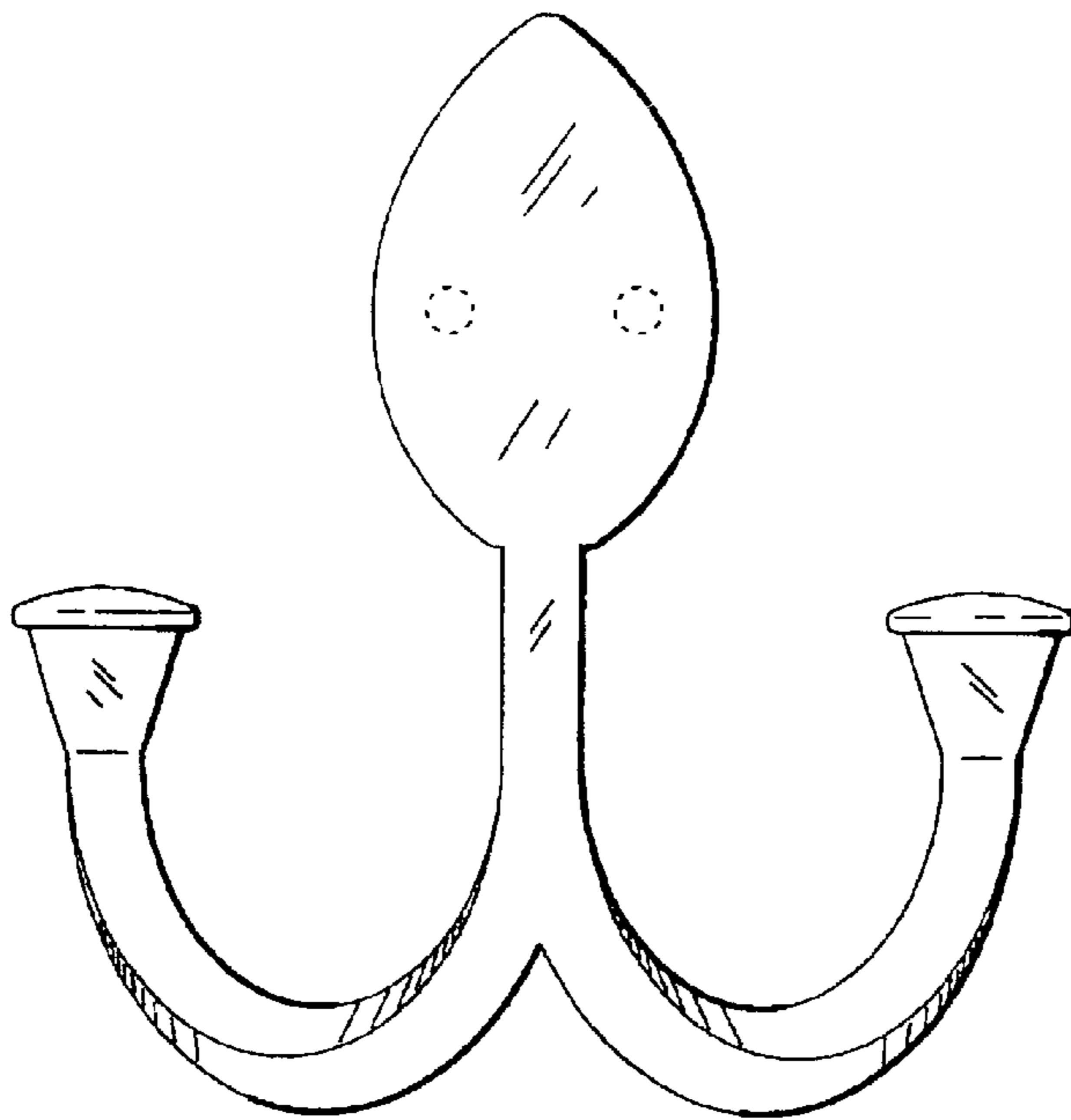


FIG. 10

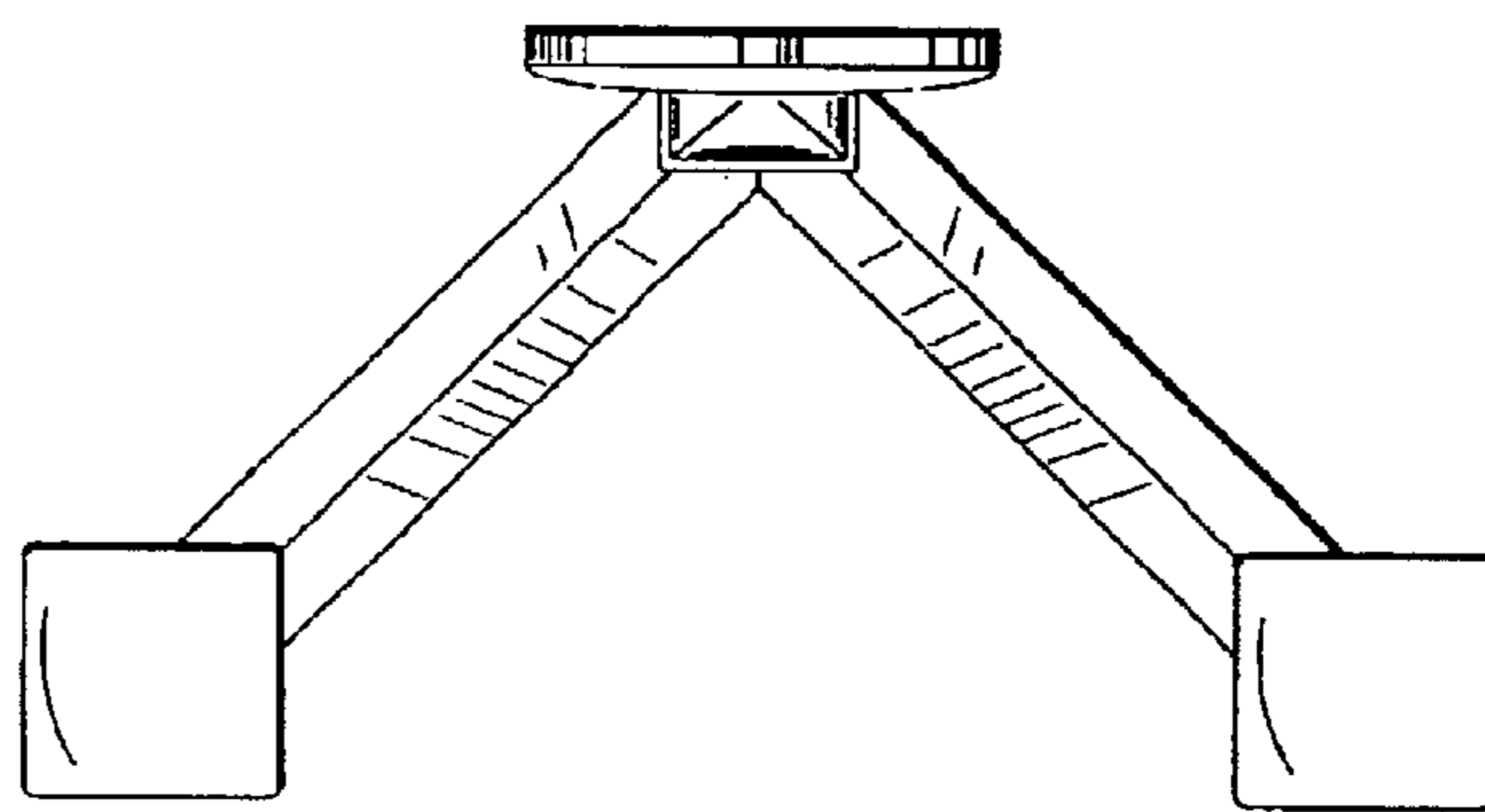


FIG. 11

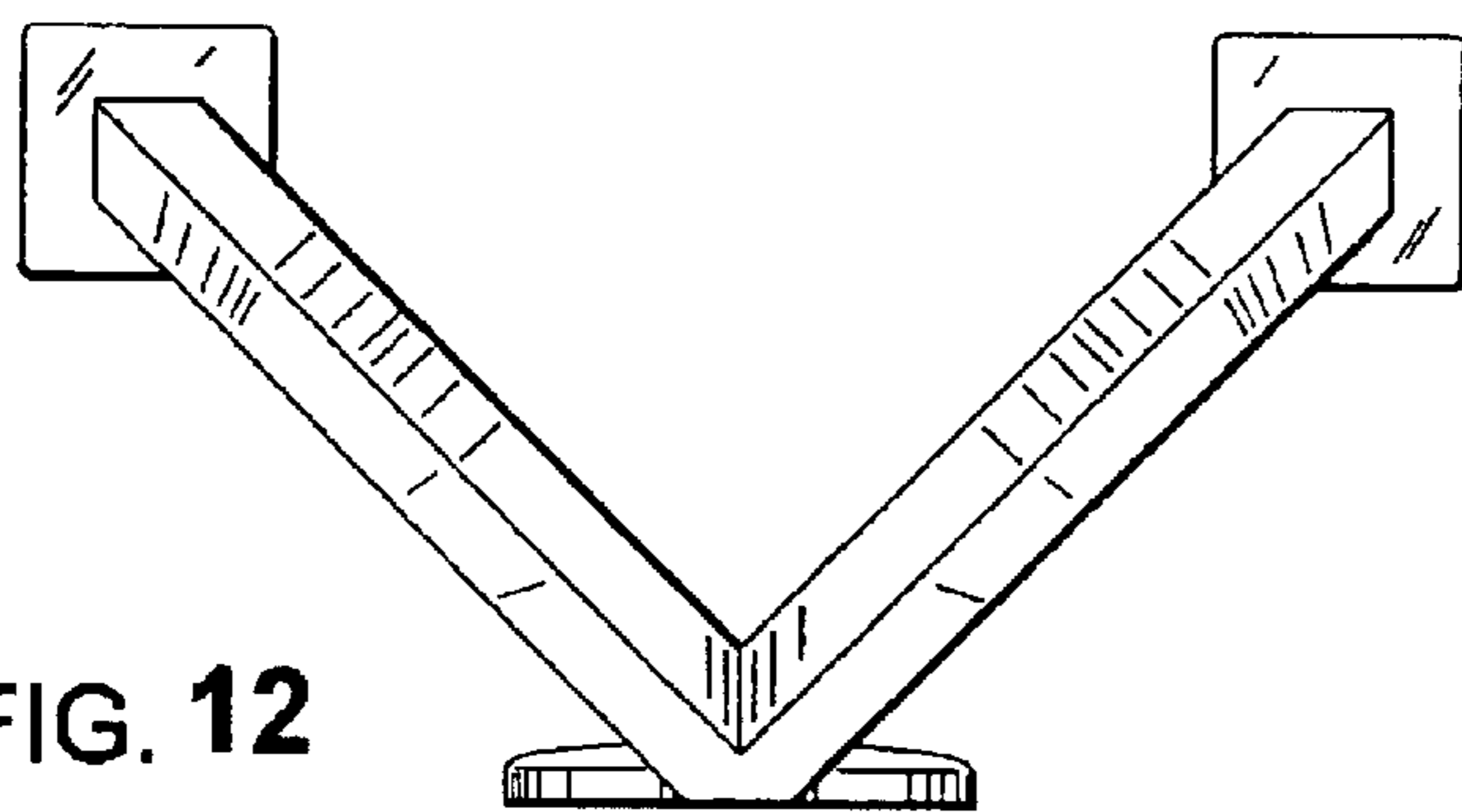


FIG. 12