

US00D493697S1

(12) **United States Design Patent**  
**Kay**

(10) **Patent No.:** **US D493,697 S**

(45) **Date of Patent:** **\*\* Aug. 3, 2004**

(54) **PULLEY ASSEMBLY**

(76) **Inventor:** **Leslie A. Kay**, 1522 NE. Qualside Terr,  
Miami, FL (US) 33138

(\*\*) **Term:** **14 Years**

(21) **Appl. No.:** **29/188,149**

(22) **Filed:** **Aug. 13, 2003**

(51) **LOC (7) Cl. .... 08-05**

(52) **U.S. Cl. .... D8/360**

(58) **Field of Search .... D8/360; D23/386;**  
29/892.1, 892.11, 892.2, 892.3; 72/82; 474/94,  
166, 168, 169, 170, 174, 175, 177, 178,  
180, 181, 182, 183, 184, 190, 902, 903

(56) **References Cited**

**U.S. PATENT DOCUMENTS**

957,655	A	*	5/1910	Chew	.....	191/63
1,266,579	A	*	5/1918	Garcelon	.....	474/169
2,139,622	A	*	12/1938	Lonskey	.....	474/177
2,916,315	A	*	12/1959	Hedrick	.....	403/202
3,245,273	A	*	4/1966	Loper et al.	.....	474/168
5,454,760	A	*	10/1995	Aranibar	.....	474/166
D436,023	S	*	1/2001	Johnson	.....	D8/360

6,478,504	B1	*	11/2002	Dawson	.....	403/356
2003/0008741	A1	*	1/2003	Fadler et al.	.....	474/174
2003/0008742	A1	*	1/2003	Kay	.....	474/182

**OTHER PUBLICATIONS**

Frigidaire Pulley Engine 1000LT, Drawing No. FD175410,  
dated Mar. 2, 2001.

\* cited by examiner

*Primary Examiner*—James Gandy

*Assistant Examiner*—Elizabeth Albert

(74) *Attorney, Agent, or Firm*—Tarolli, Sundheim, Covell  
& Tummino L.L.P.

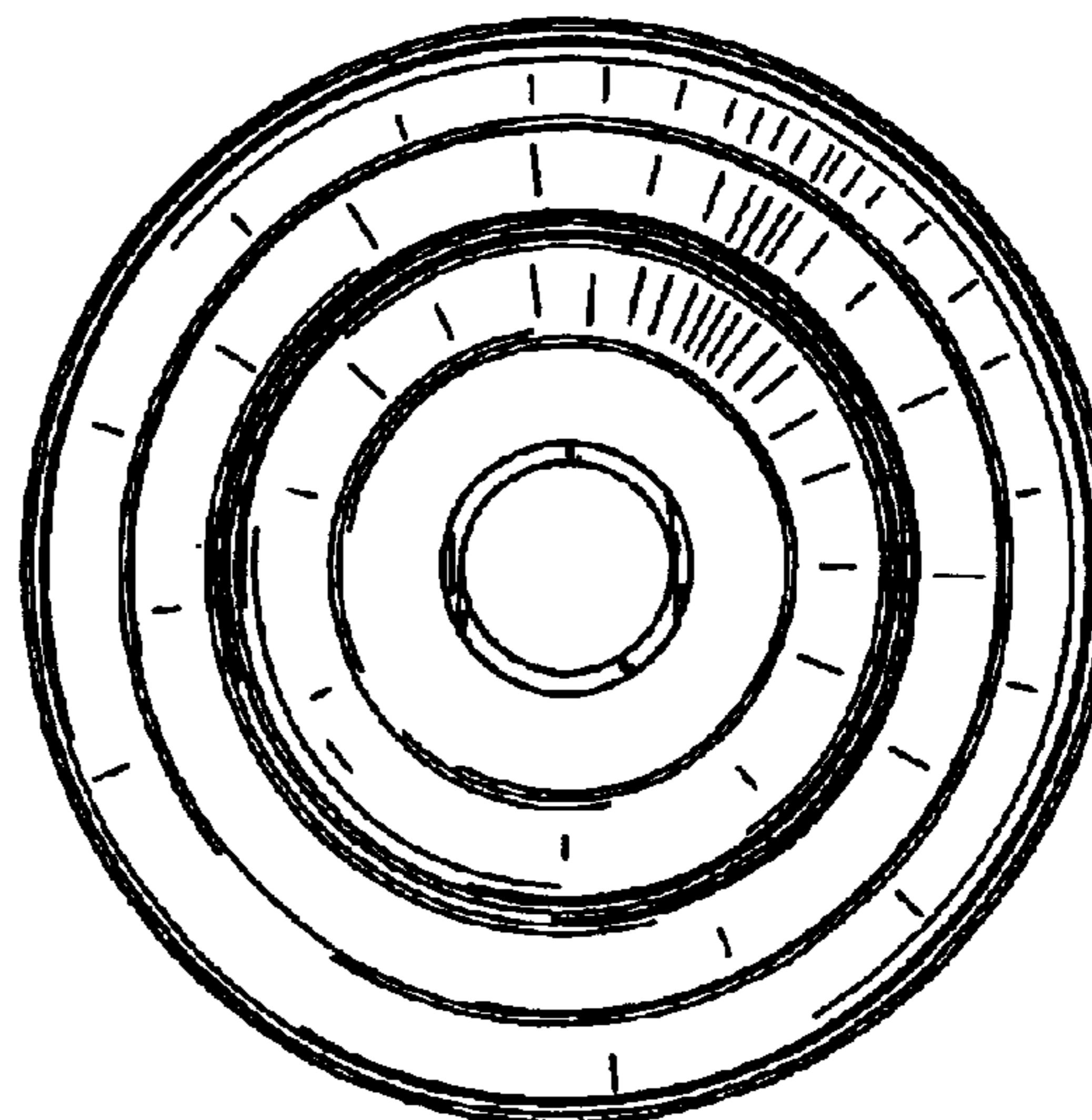
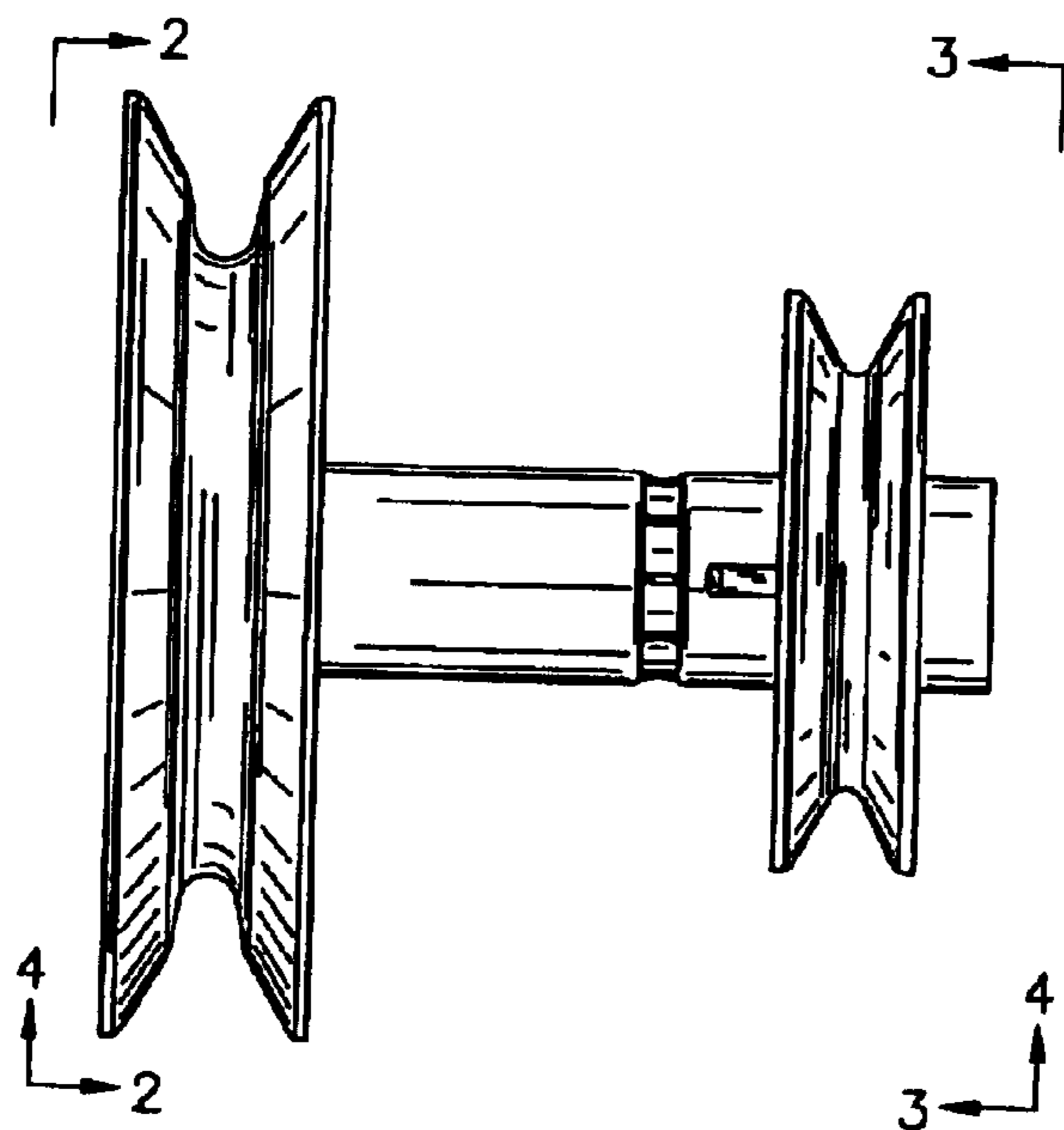
(57) **CLAIM**

The ornamental design for a pulley assembly, as shown and  
described.

**DESCRIPTION**

FIG. 1 is a side view of a pulley assembly in accordance with  
the present design;  
FIG. 2 is a view taken along line 2—2 in FIG. 1;  
FIG. 3 is a view taken along line 3—3 in FIG. 1; and,  
FIG. 4 is a view taken along line 4—4 in FIG. 1.

**1 Claim, 1 Drawing Sheet**



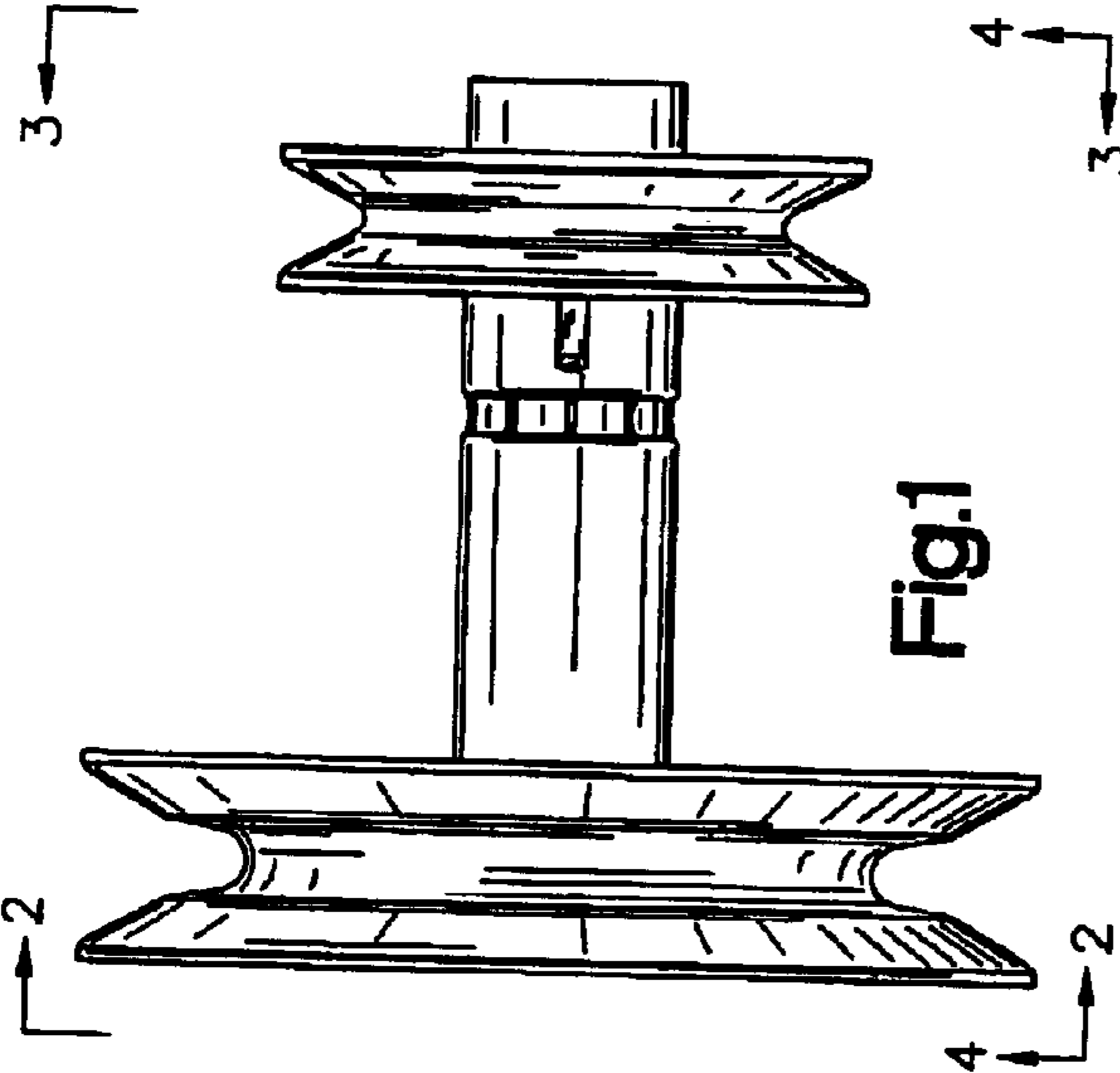


Fig.1

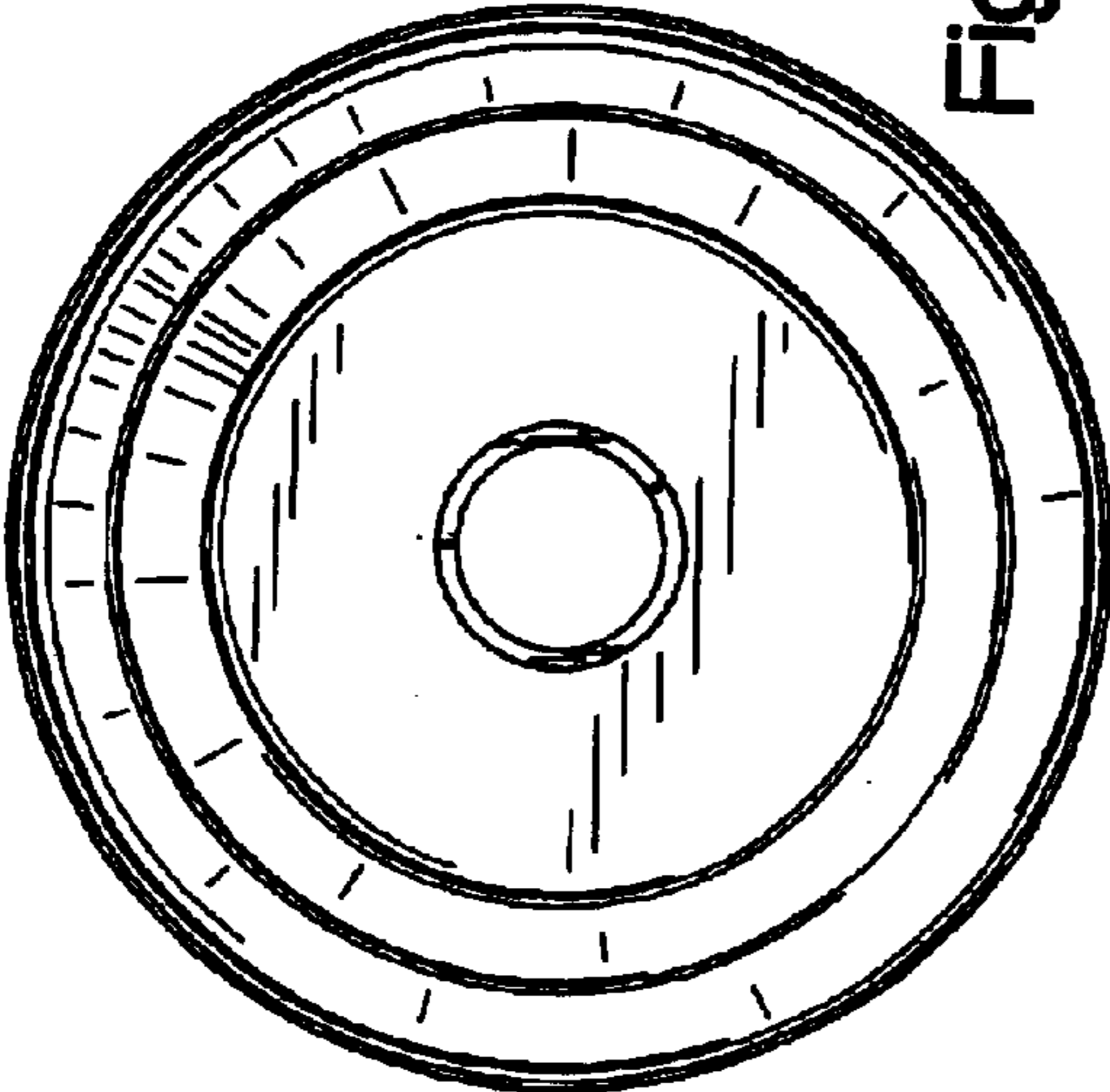


Fig.2

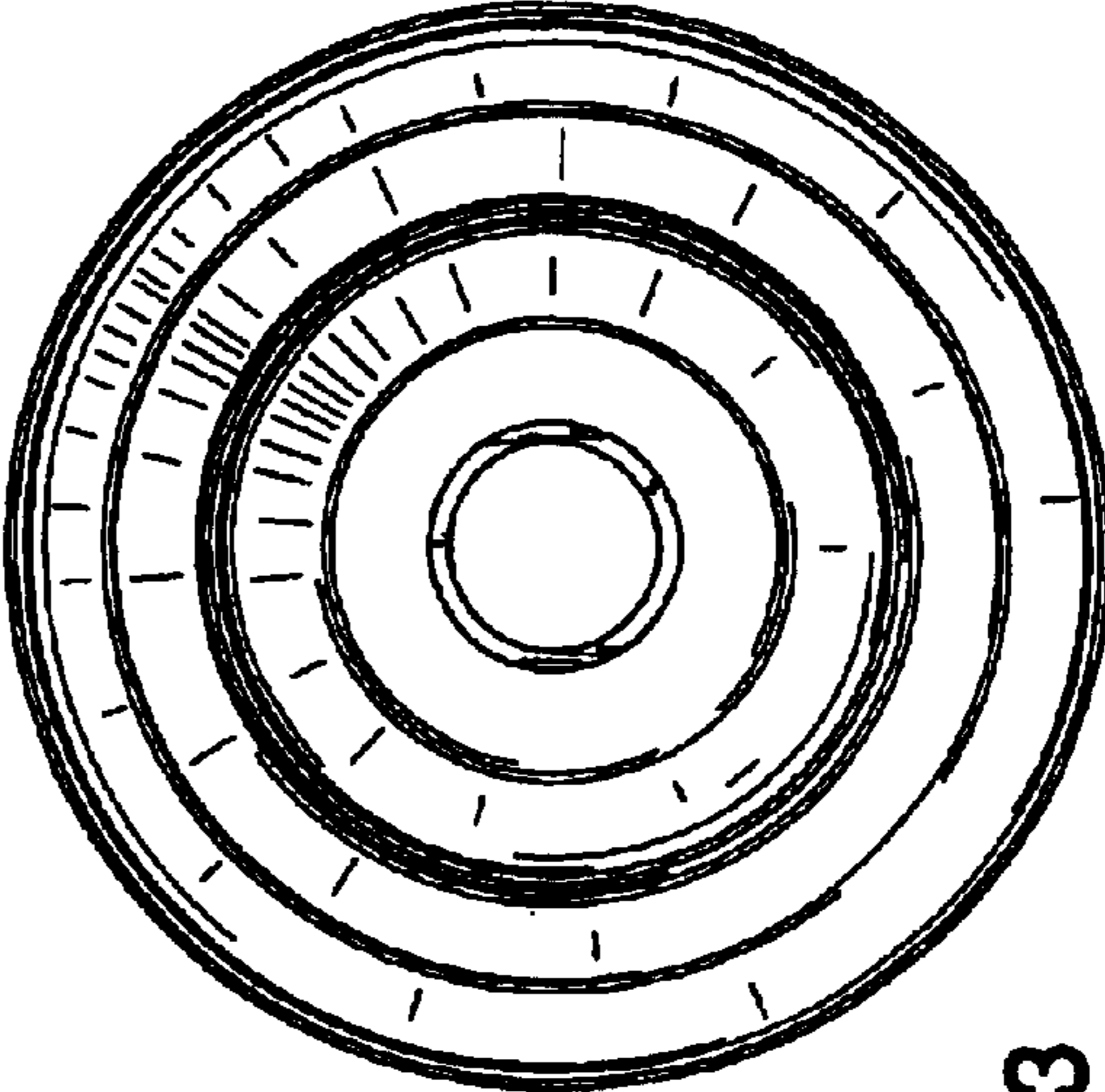


Fig.3

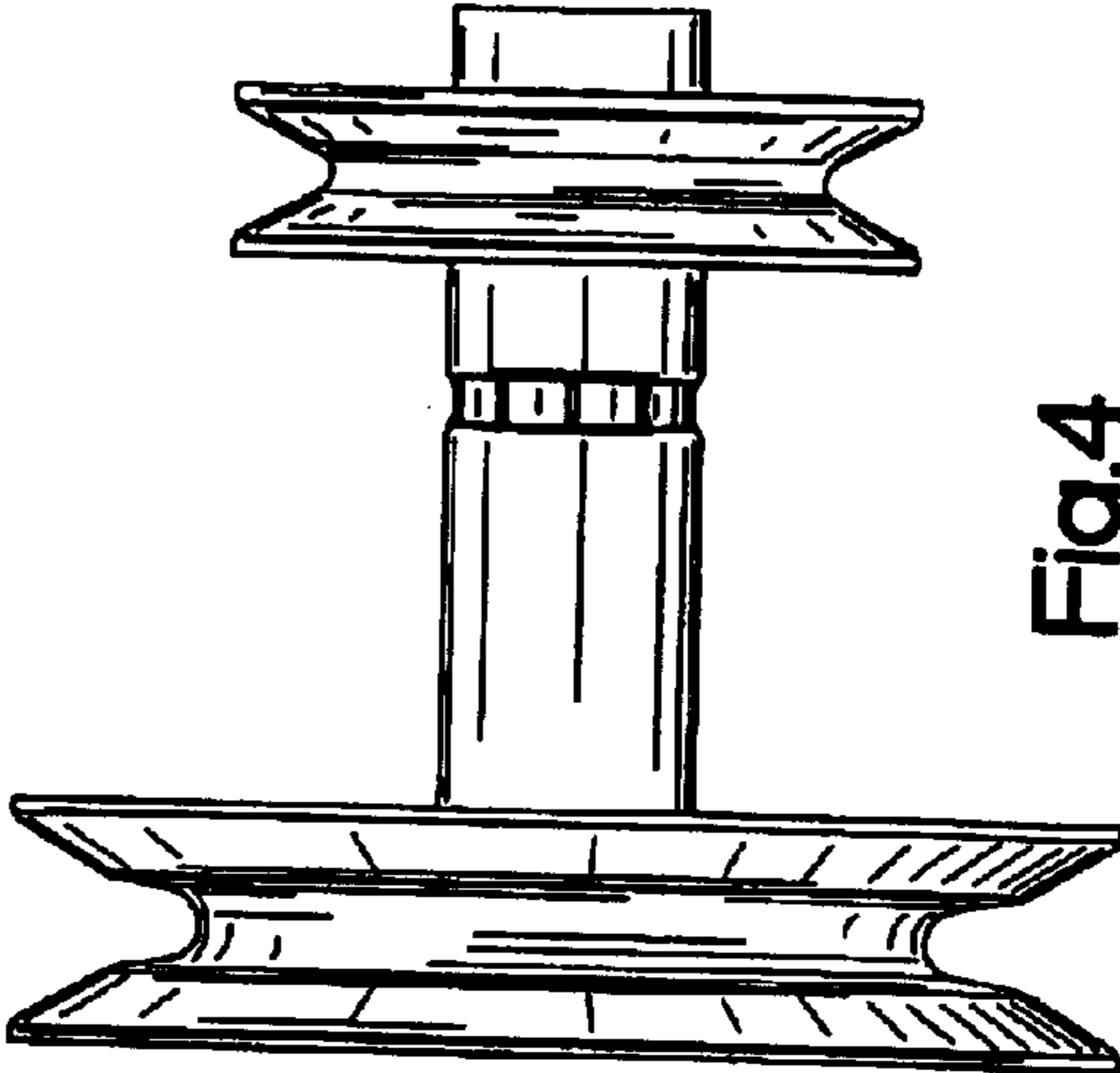


Fig.4