

US00D493696S1

(12) **United States Design Patent**
Keenum et al.

(10) **Patent No.:** **US D493,696 S**
(45) **Date of Patent:** **** Aug. 3, 2004**

(54) **FACEPLATE FOR WALL-MOUNT
DISTRIBUTED FILTER HOUSING**

(75) Inventors: **John A. Keenum**, Keller, TX (US);
Harley J. Staber, Coppell, TX (US)

(73) Assignee: **Corning Cable Systems LLC**, Hickory,
NC (US)

(**) Term: **14 Years**

(21) Appl. No.: **29/164,371**

(22) Filed: **Jul. 23, 2002**

Related U.S. Application Data

(63) Continuation-in-part of application No. 29/127,805, filed on
Aug. 11, 2000, now Pat. No. Des. 465,991.

(51) **LOC (7) Cl.** **11-05**

(52) **U.S. Cl.** **D8/353**

(58) **Field of Search** D8/350-353; D13/156,
D13/177; 16/402; 174/66; 220/241; 439/536

(56) **References Cited**

U.S. PATENT DOCUMENTS

D281,940 S * 12/1985 Steventon et al. D13/177
4,750,094 A 6/1988 Krasik 362/95
D303,247 S * 9/1989 Brownlie D8/353

5,770,817 A 6/1998 Lo 174/57
5,900,584 A 5/1999 Cady et al. 174/66
6,051,787 A * 4/2000 Rintz 174/66
D423,911 S 5/2000 Dagley D8/352
6,218,616 B1 * 4/2001 Bates et al. 174/66

* cited by examiner

Primary Examiner—Adir Aronovich

(74) *Attorney, Agent, or Firm*—Christopher C. Dremann

(57) **CLAIM**

The ornamental design for a faceplate for wall-mount dis-
tributed filter housing, as shown and described.

DESCRIPTION

FIG. 1 is a front and right side perspective view of a
faceplate for wall-mount distributed filter housing according
our new design;

FIG. 2 is a top plan view thereof;

FIG. 3 is a front elevational view thereof;

FIG. 4 is a bottom plan view thereof;

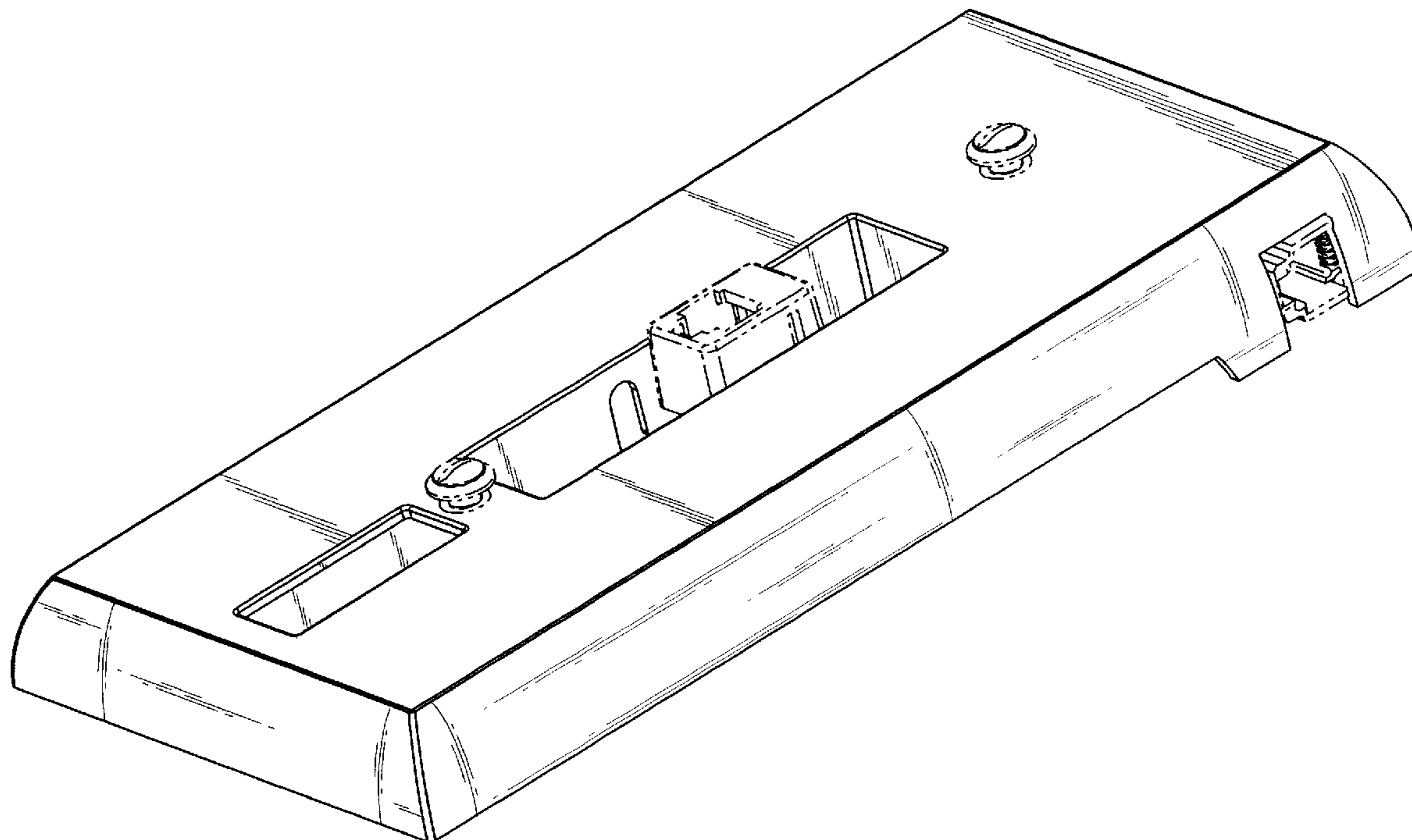
FIG. 5 right side elevation view thereof; and,

FIG. 6 is a left side elevation view thereof.

The broken lines in FIG. 1 illustrating exemplary internal
components and mounting hardware are for illustrative
purposes only and form no part of the claimed invention.

FIGS. 2-6 are shown on a reduced scale.

1 Claim, 3 Drawing Sheets



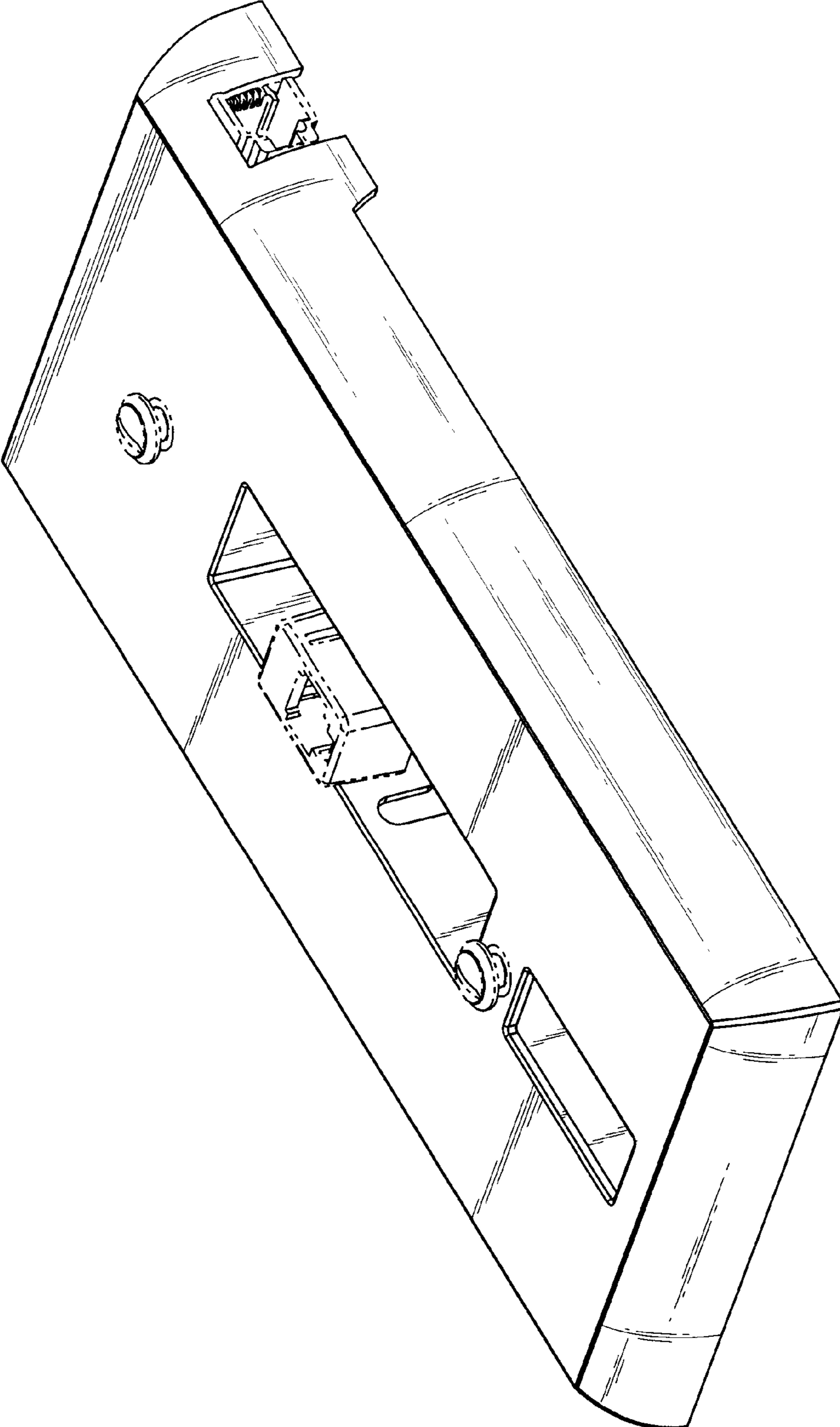


Fig. 1

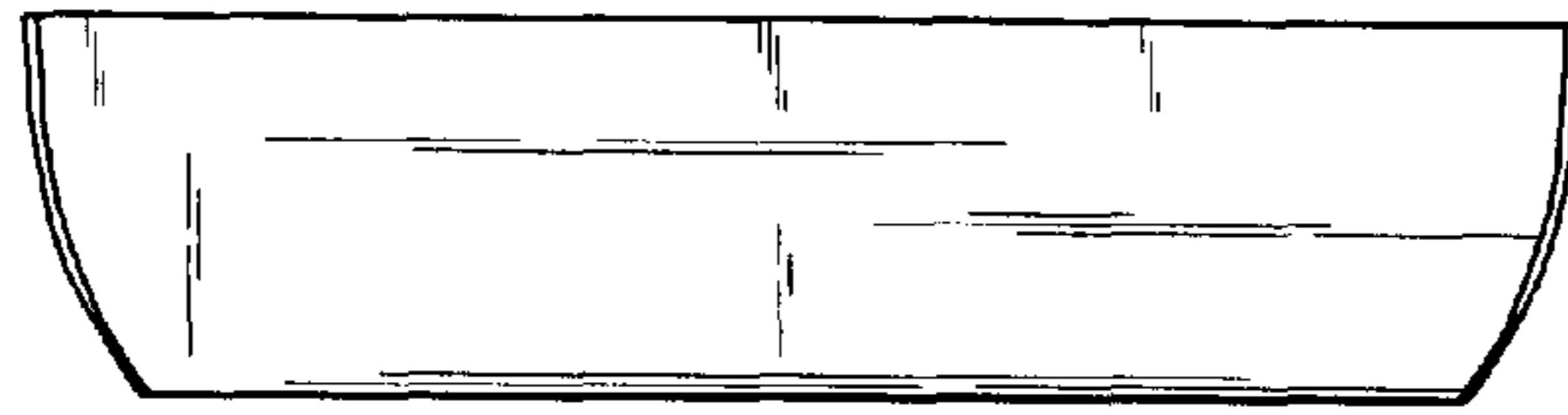


Fig. 2

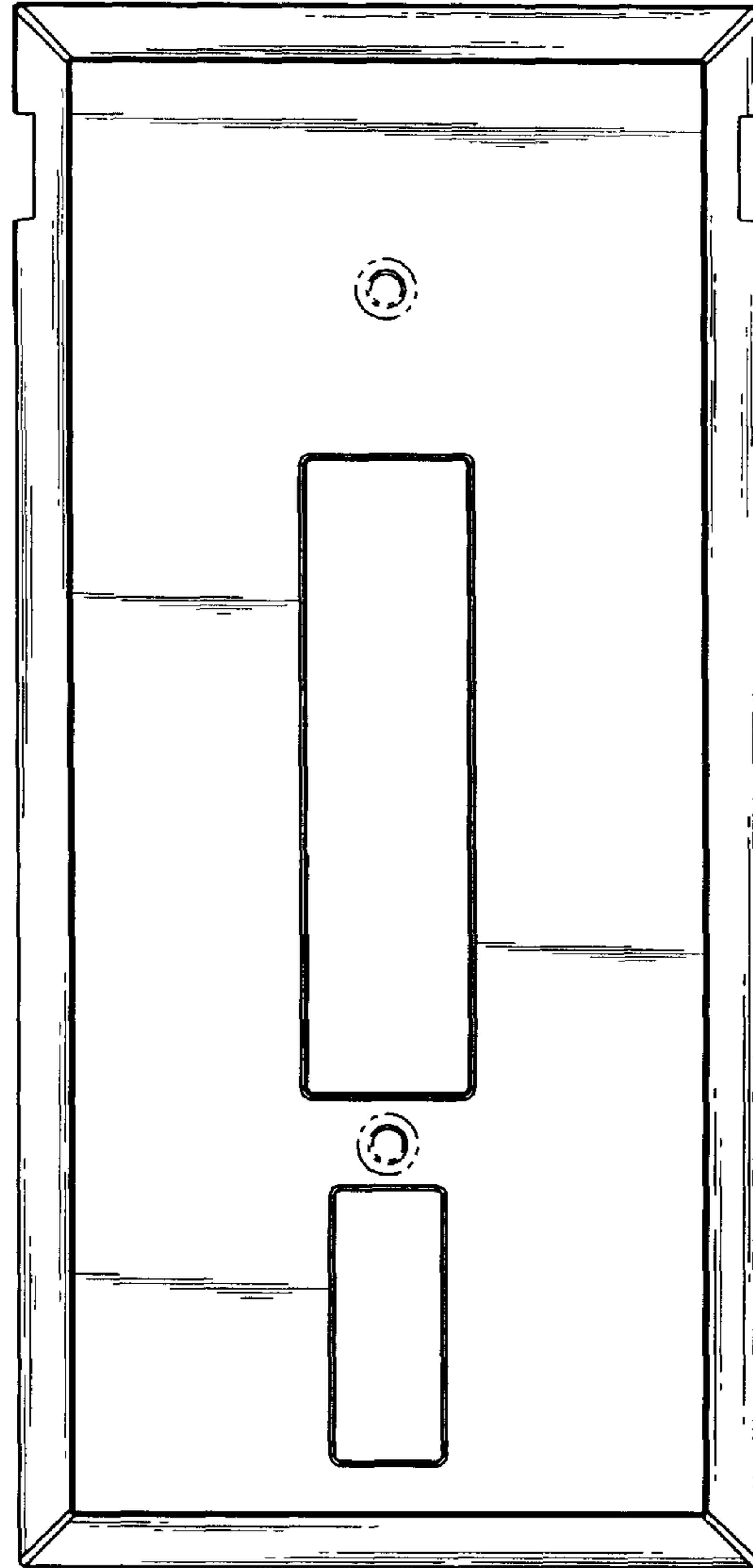


Fig. 3



Fig. 4

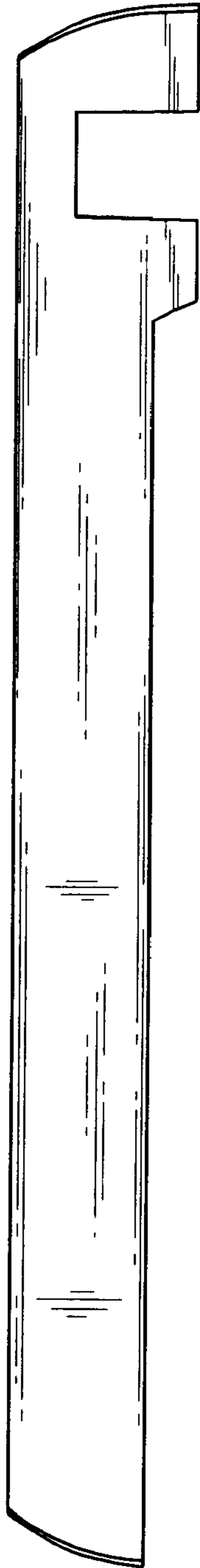


Fig. 5

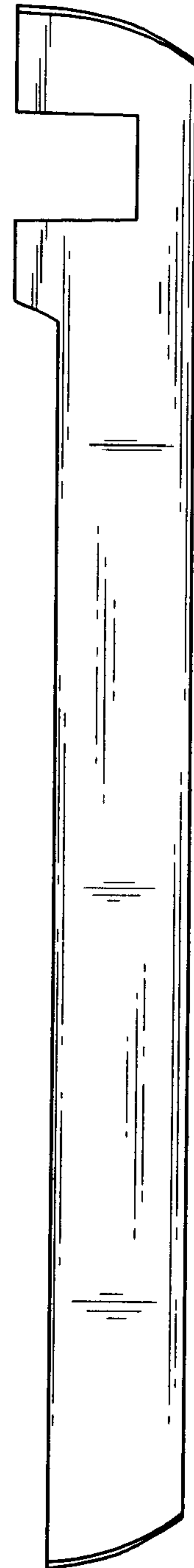


Fig. 6

UNITED STATES PATENT AND TRADEMARK OFFICE
CERTIFICATE OF CORRECTION

PATENT NO. : Des. 493,696 S
DATED : August 3, 2004
INVENTOR(S) : John A. Keenum and Harley J. Staber

Page 1 of 1

It is certified that error appears in the above-identified patent and that said Letters Patent is hereby corrected as shown below:

Title page,
Item [57], **DESCRIPTION,**
FIG. 3, delete "vie" and substitute -- view --.

Signed and Sealed this

Twenty-first Day of September, 2004

A handwritten signature in black ink that reads "Jon W. Dudas". The signature is written in a cursive style with a large, looped initial "J".

JON W. DUDAS
Director of the United States Patent and Trademark Office