

US00D493694S1

(12) **United States Design Patent**
Spangler

(10) **Patent No.:** **US D493,694 S**

(45) **Date of Patent:** **** Aug. 3, 2004**

(54) **BACKPLATE**

(75) **Inventor:** **Anthony G. Spangler**, Greensburg, IN
(US)

(73) **Assignee:** **Masco Corporation of Indiana**,
Indianapolis, IN (US)

(**) **Term:** **14 Years**

(21) **Appl. No.:** **29/178,117**

(22) **Filed:** **Mar. 20, 2003**

(51) **LOC (7) Cl.** **11-05**

(52) **U.S. Cl.** **D8/352**

(58) **Field of Search** D8/350-352; D13/177;
70/208, 452; 220/241, 243; 439/536

(56) **References Cited**

U.S. PATENT DOCUMENTS

D66,917 S * 3/1925 Wilson D8/350
D173,849 S * 1/1955 Ohno D8/352
5,433,333 A * 7/1995 Martell 220/243

D374,392 S * 10/1996 Malay D8/352
D423,911 S * 5/2000 Dagley D8/352
D453,899 S * 2/2002 LaPlume et al. D8/352
D473,447 S * 4/2003 Luu D8/352

* cited by examiner

Primary Examiner—Adir Aronovich

(74) *Attorney, Agent, or Firm*—Kwadjo Adusei-Poku;
Lloyd D. Doigan

(57) **CLAIM**

The ornamental design for a backplate, as shown and described.

DESCRIPTION

FIG. 1 is a front perspective view of a backplate showing my new design;

FIG. 2 is a front elevational view thereof;

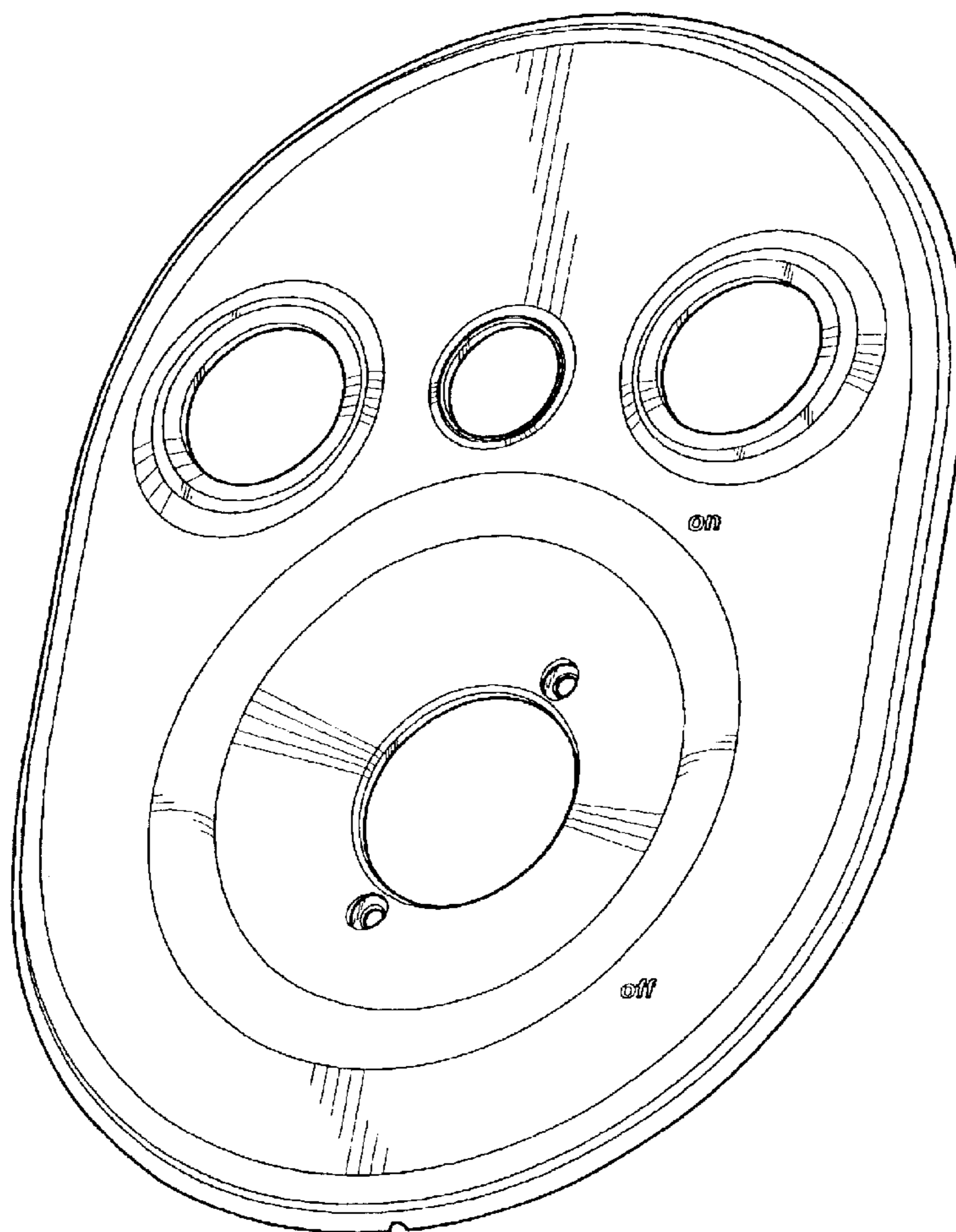
FIG. 3 is a top plan view thereof;

FIG. 4 is a left side elevational view thereof;

FIG. 5 is a right side elevational view thereof; and,

FIG. 6 is a bottom plan view thereof.

1 Claim, 4 Drawing Sheets



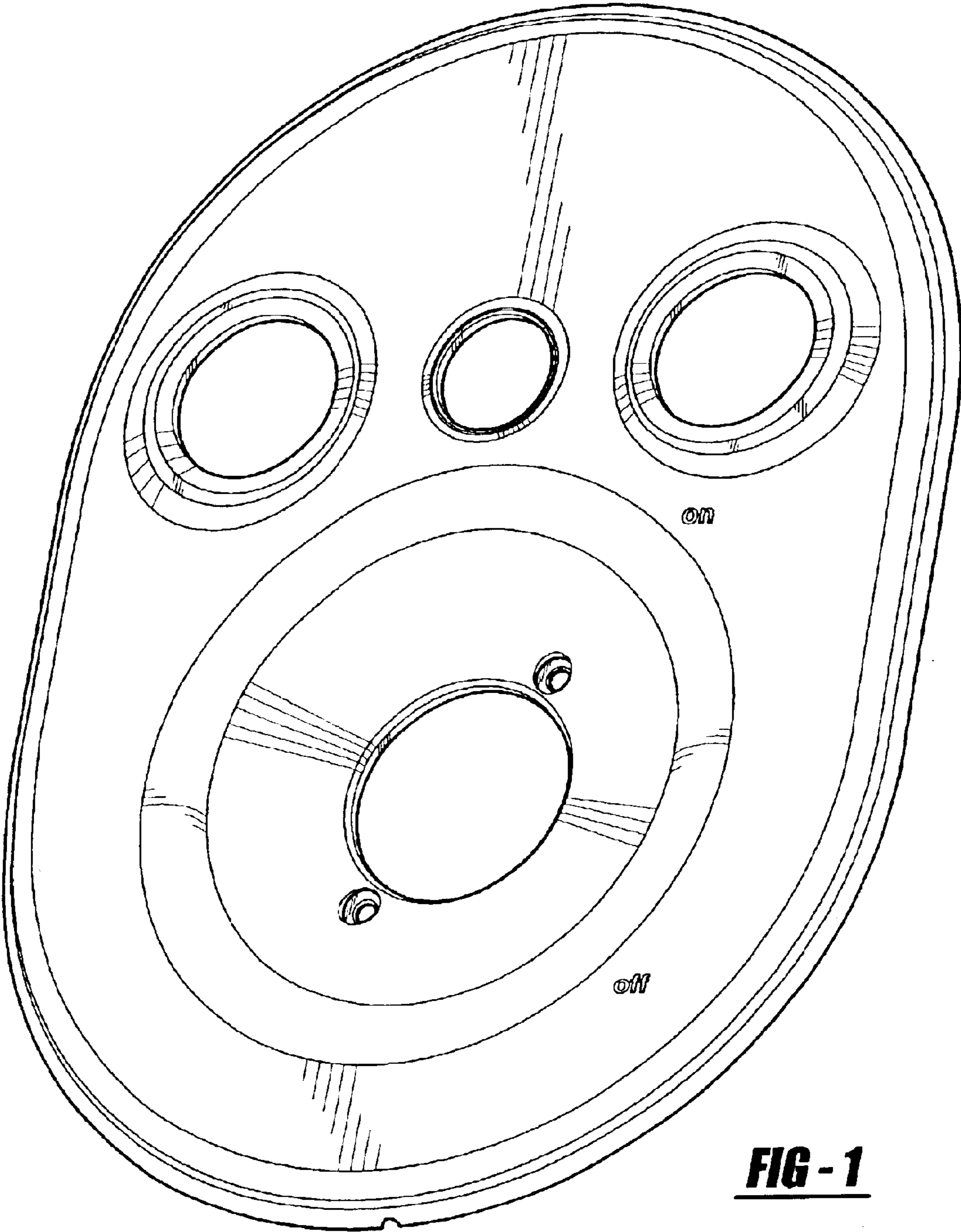


FIG - 1

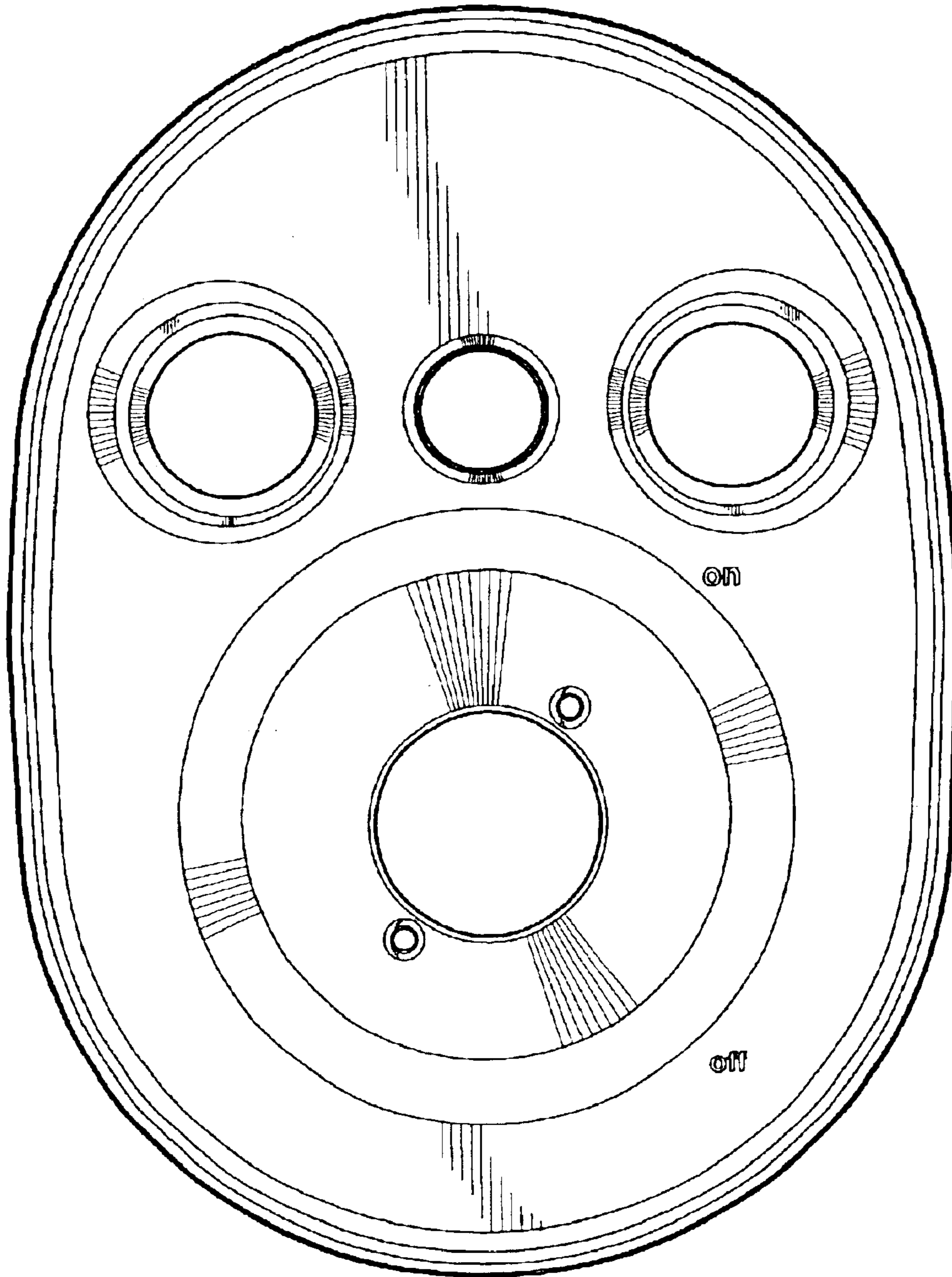


FIG - 2

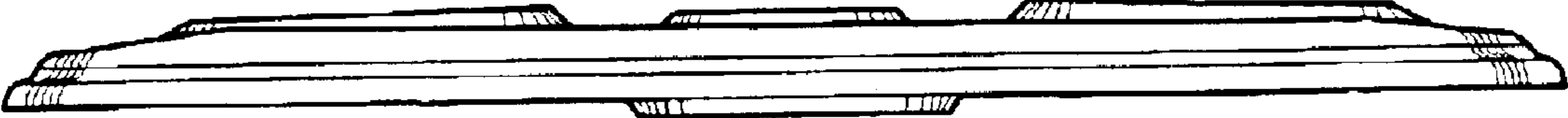


FIG - 3

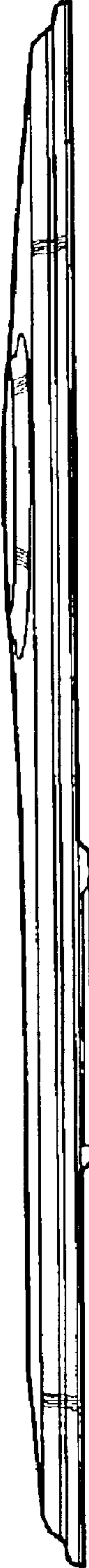


FIG - 4



FIG - 5

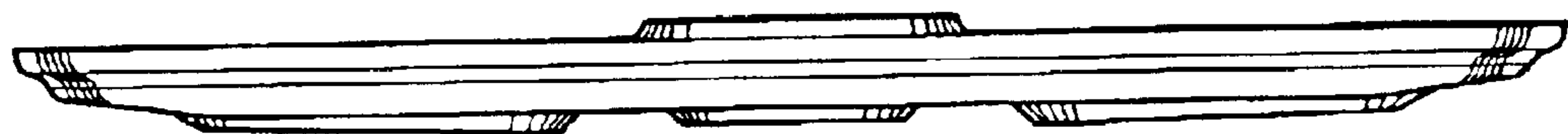


FIG - 6