

US00D493693S1

(12) **United States Design Patent**
Lord

(10) **Patent No.:** **US D493,693 S**

(45) **Date of Patent:** **** Aug. 3, 2004**

(54) **ESCUTCHEON**

5,713,612 A * 2/1998 Kajuch 70/107
D437,771 S * 2/2001 Barnes et al. D8/352

(75) **Inventor:** **Judd A. Lord, Carmel, IN (US)**

* cited by examiner

(73) **Assignee:** **Masco Corporation of Indiana,
Indianapolis, IN (US)**

Primary Examiner—Adir Aronovich

(74) *Attorney, Agent, or Firm*—Kwadjo Adusei-Poku;
Lloyd D. Doigan

(**) **Term:** **14 Years**

(21) **Appl. No.:** **29/178,074**

(57) **CLAIM**

(22) **Filed:** **Mar. 20, 2003**

The ornamental design for an escutcheon, as shown and described.

(51) **LOC (7) Cl.** **11-05**

(52) **U.S. Cl.** **D8/352**

(58) **Field of Search** D8/300–302, 307,
D8/350, 353; D13/177; 70/107, 111, 452,
DIG. 73; 220/241, 243

DESCRIPTION

FIG. 1 is a front perspective view of an escutcheon showing my new design;

FIG. 2 is a rear perspective view thereof;

FIG. 3 is a front elevational view thereof;

FIG. 4 is a top plan view thereof;

FIG. 5 is a rear elevational view thereof;

FIG. 6 is a right side elevational view thereof;

FIG. 7 is a left side elevational view thereof; and,

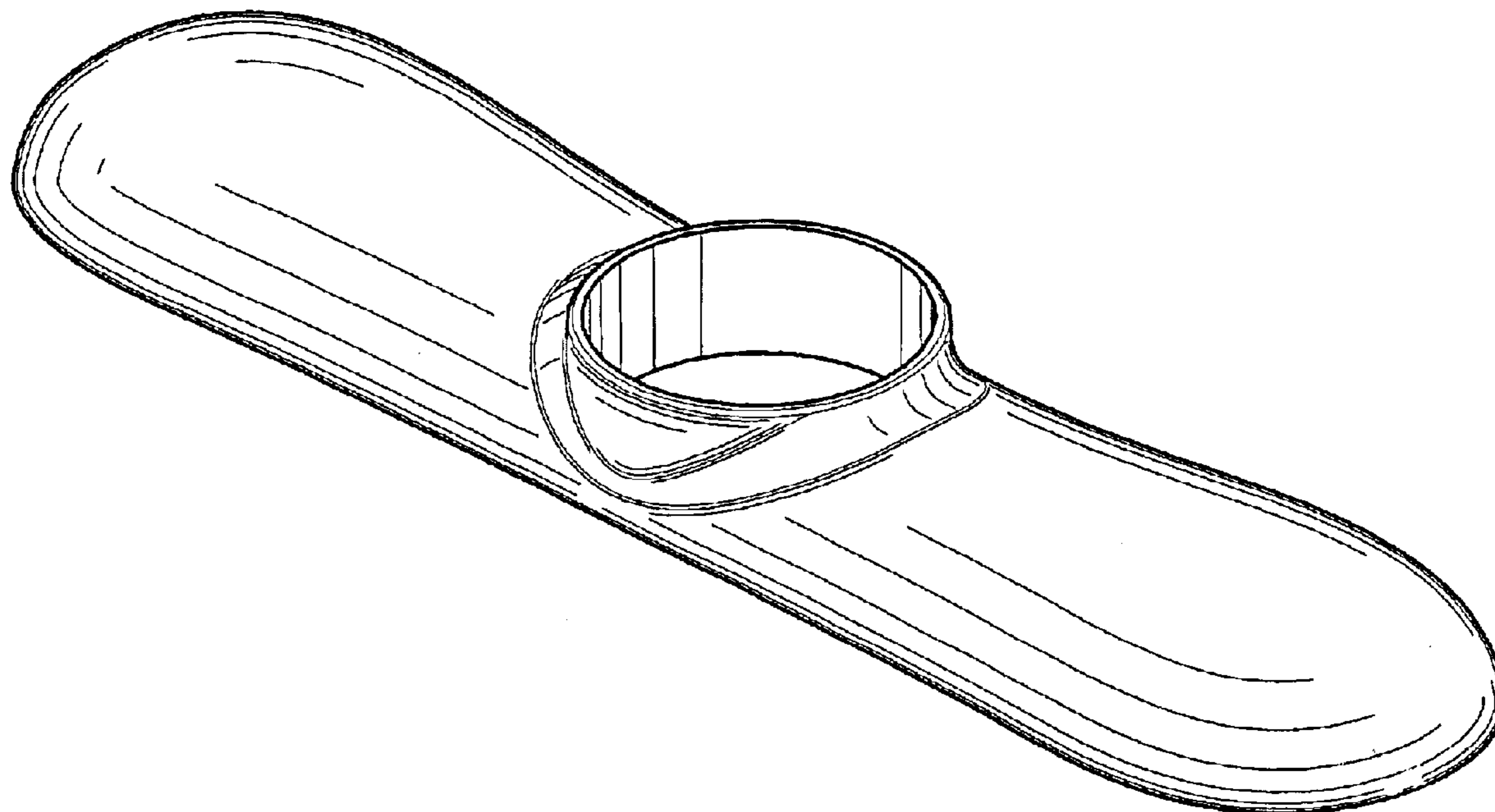
FIG. 8 is a bottom plan view thereof.

(56) **References Cited**

U.S. PATENT DOCUMENTS

D247,845 S * 5/1978 Palm, Jr. D8/352
D286,065 S * 10/1986 Joerger D8/350
D354,669 S * 1/1995 Malay D8/352
D359,673 S * 6/1995 Gibson D8/352

1 Claim, 7 Drawing Sheets



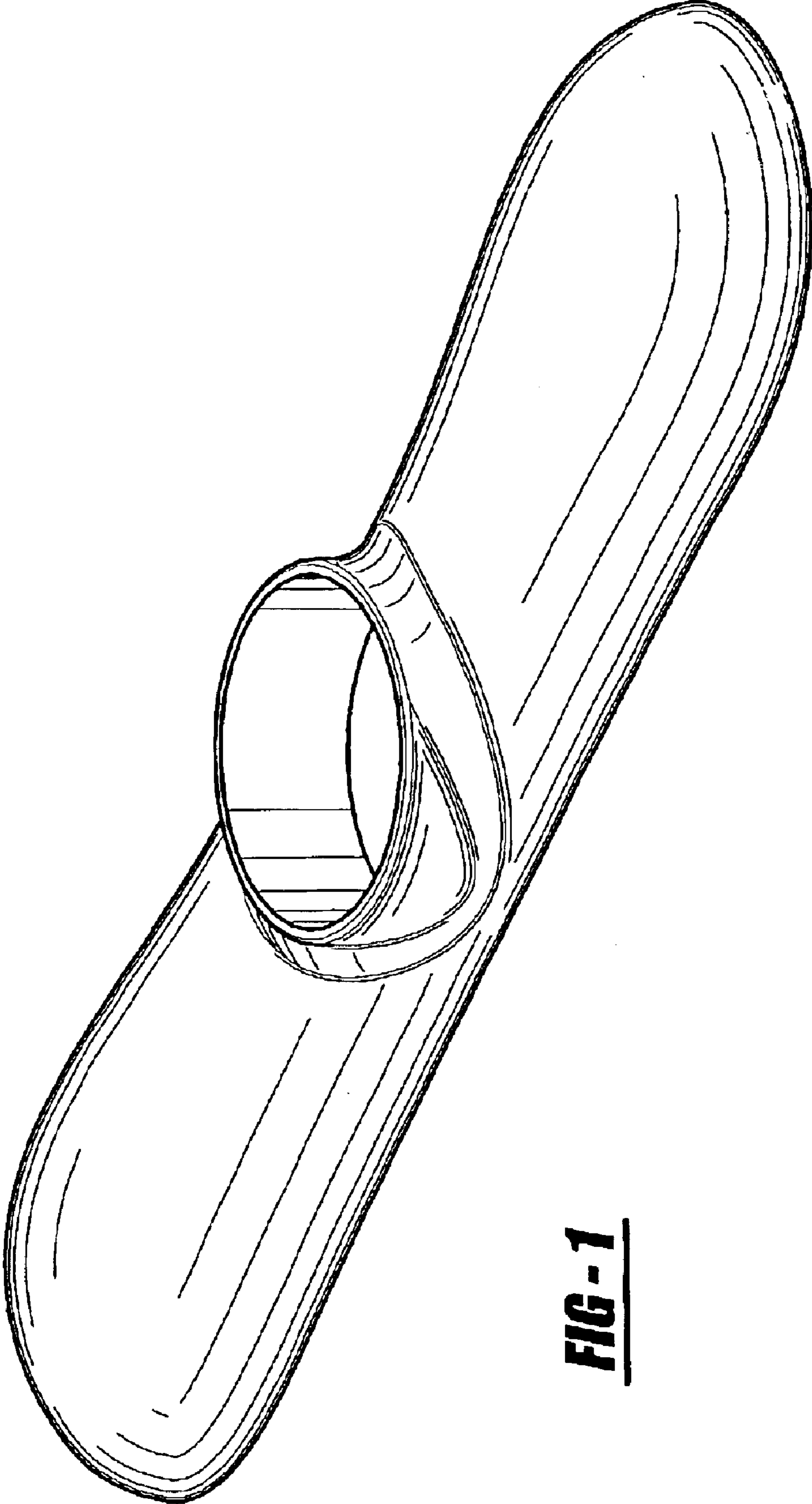


FIG-1

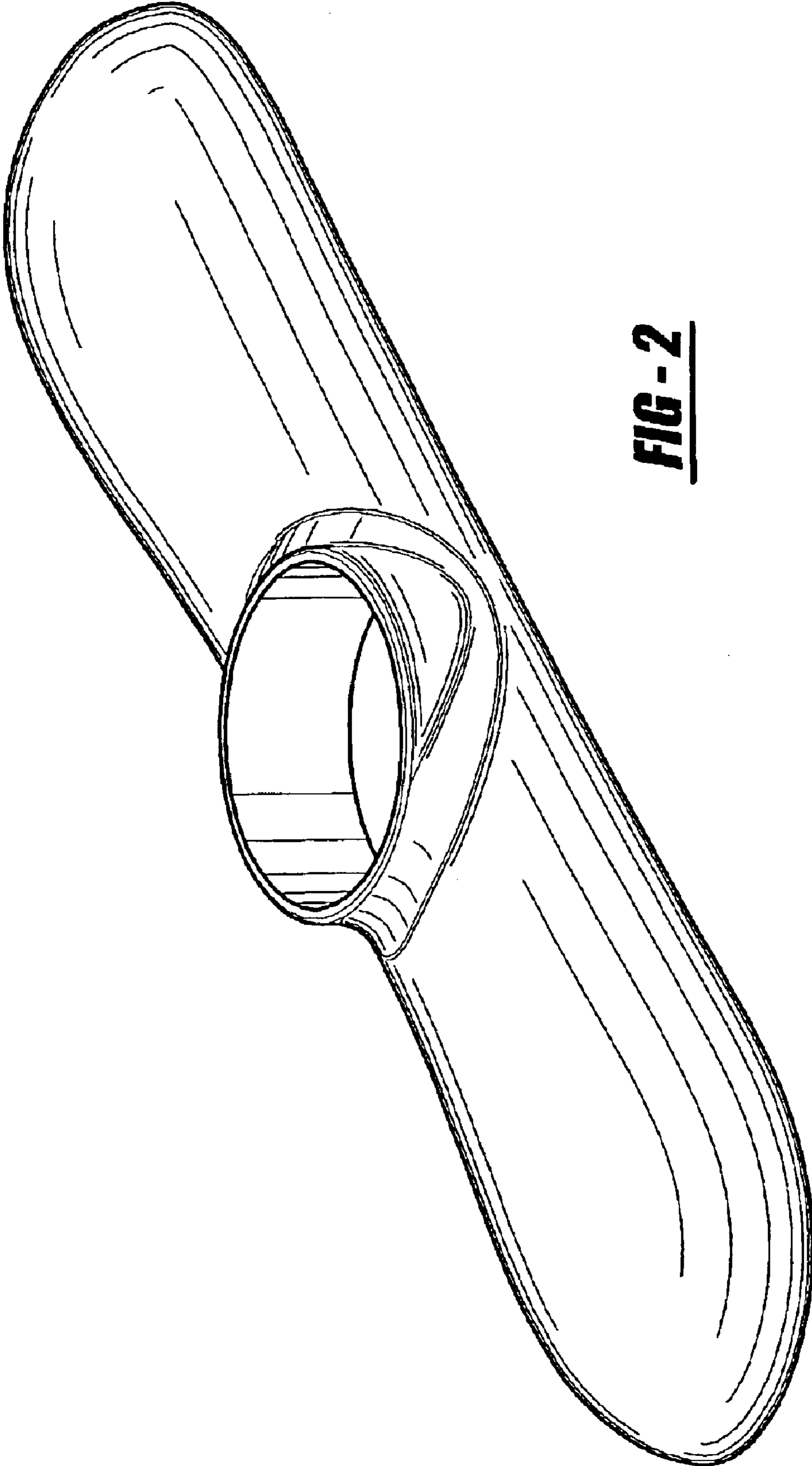


FIG - 2

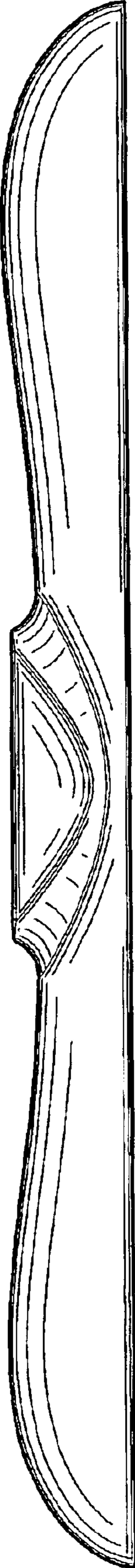


FIG - 3

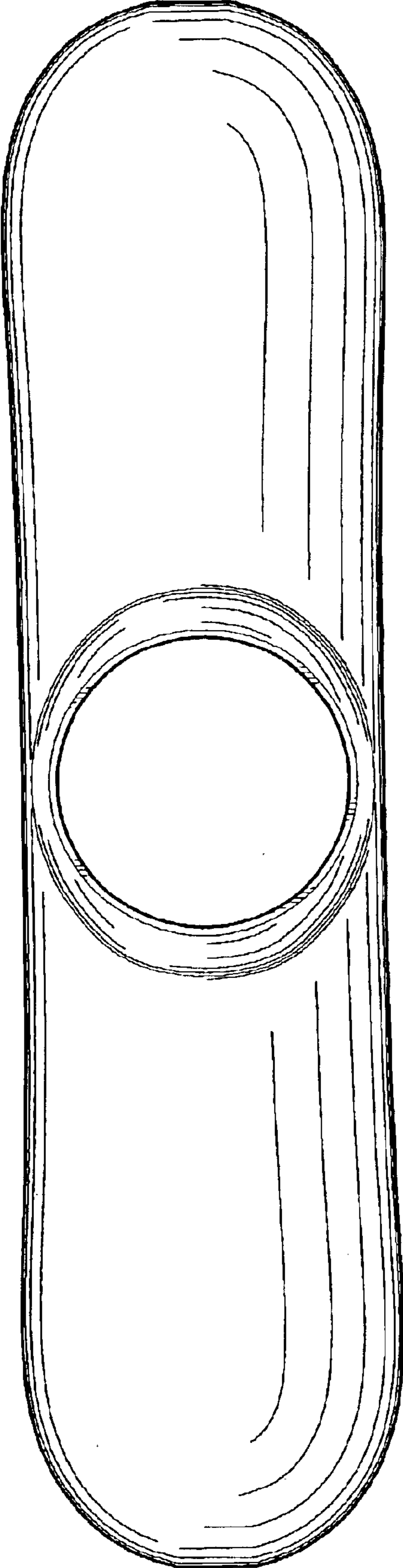


FIG - 4

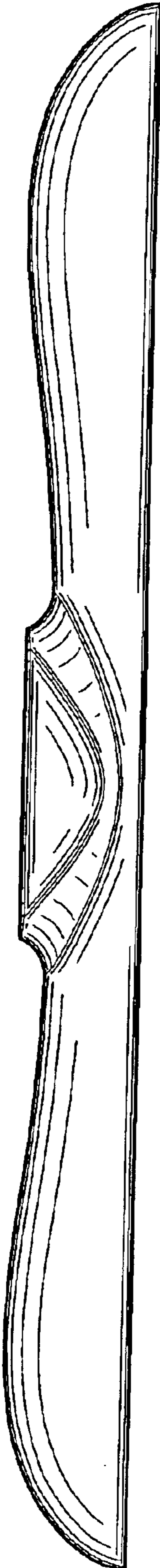


FIG - 5

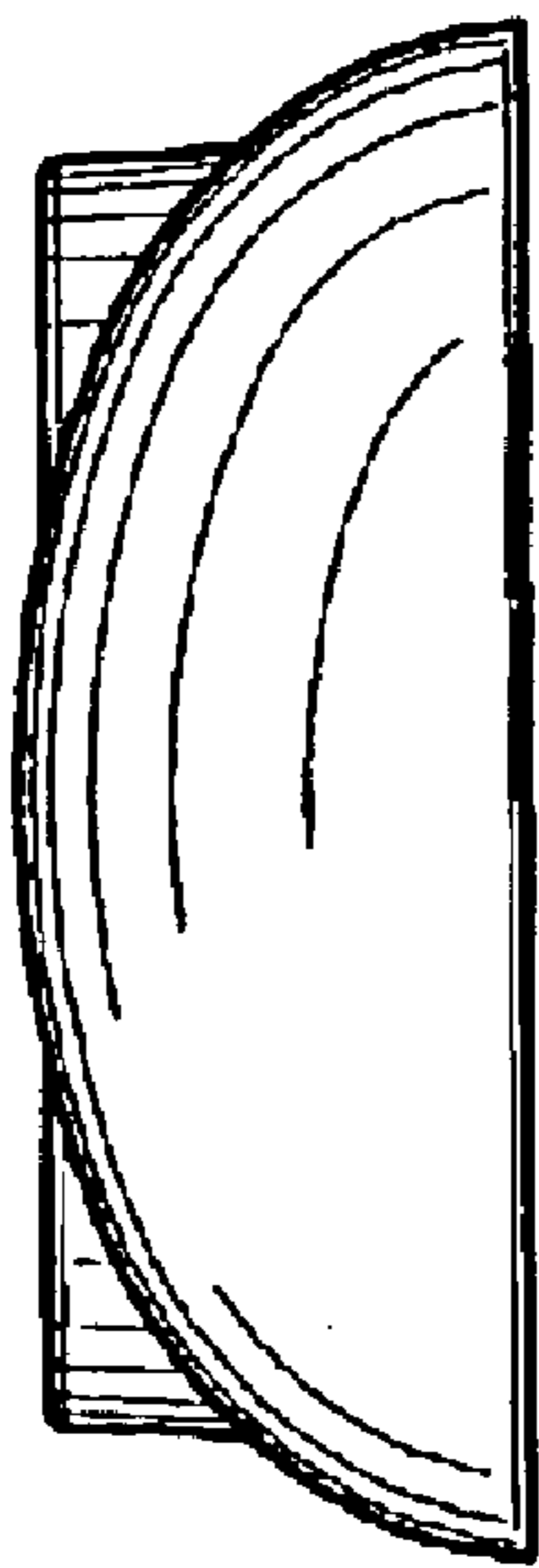


FIG - 6



FIG - 7

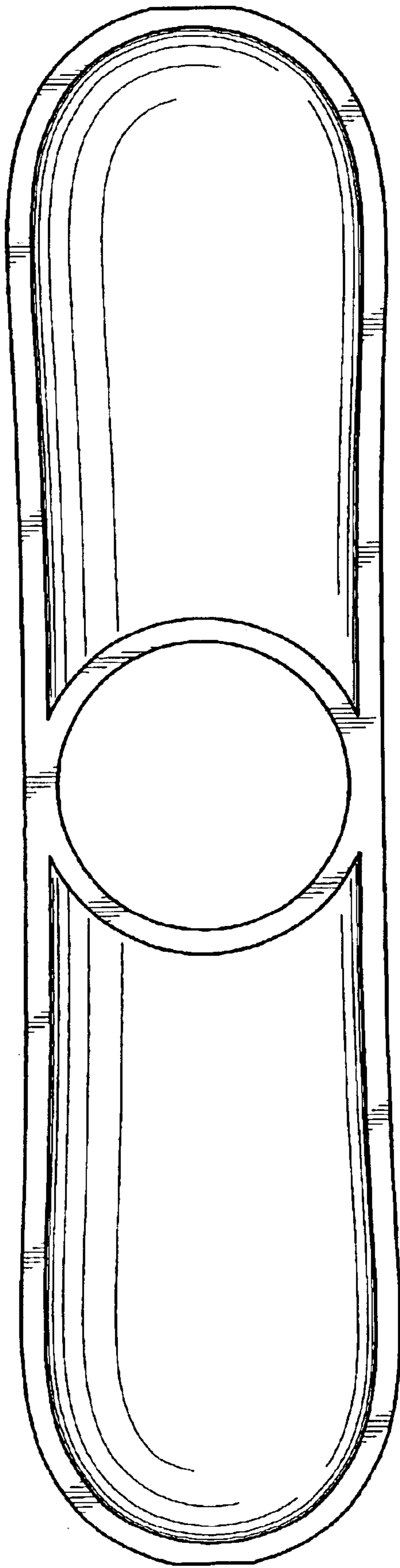


FIG - 8