

US00D493690S1

(12) **United States Design Patent**
Melin

(10) **Patent No.:** **US D493,690 S**

(45) **Date of Patent:** **** Aug. 3, 2004**

(54) **DOOR LATCH LOCK FOR TRAILERS AND CONTAINERS**

D485,154 S * 1/2004 Chen D8/331

* cited by examiner

(76) **Inventor:** **Gary H. Melin**, 2115 Highway 14 E., Rochester, MN (US) 55904

Primary Examiner—Prabhakar Deshmukh
(74) *Attorney, Agent, or Firm*—Briggs & Morgan, P.A.

(**) **Term:** **14 Years**

(57) **CLAIM**

(21) **Appl. No.:** **29/187,663**

The ornamental design for a door latch lock for trailers and containers, as shown and described.

(22) **Filed:** **Aug. 4, 2003**

DESCRIPTION

(51) **LOC (7) Cl.** **08-07**

(52) **U.S. Cl.** **D8/331; D8/343**

(58) **Field of Search** D8/330, 331, 343-345; 70/14, 51, 52, 91, 101, 106, 141, 258, 431; 292/288, 358, 359, DIG. 17, DIG. 23

FIG. 1 is a front perspective view showing my new design for a door latch lock;

FIG. 2 is a bottom plan view;

FIG. 3 is a top plan view;

FIG. 4 is a left side elevational which is a mirror image of the right side view;

FIG. 5 is a front elevational view; and,

FIG. 6 is a rear elevational view.

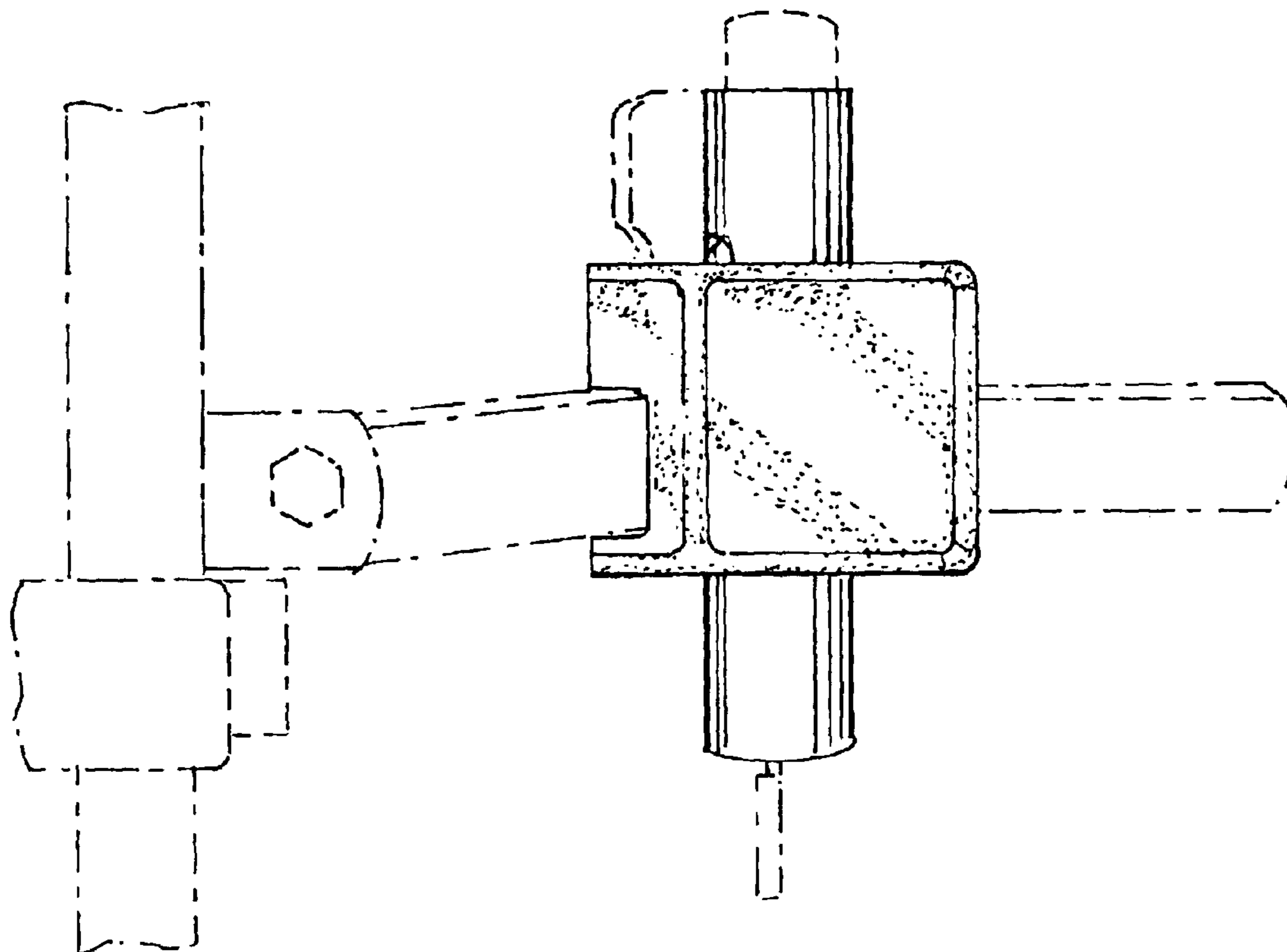
(56) **References Cited**

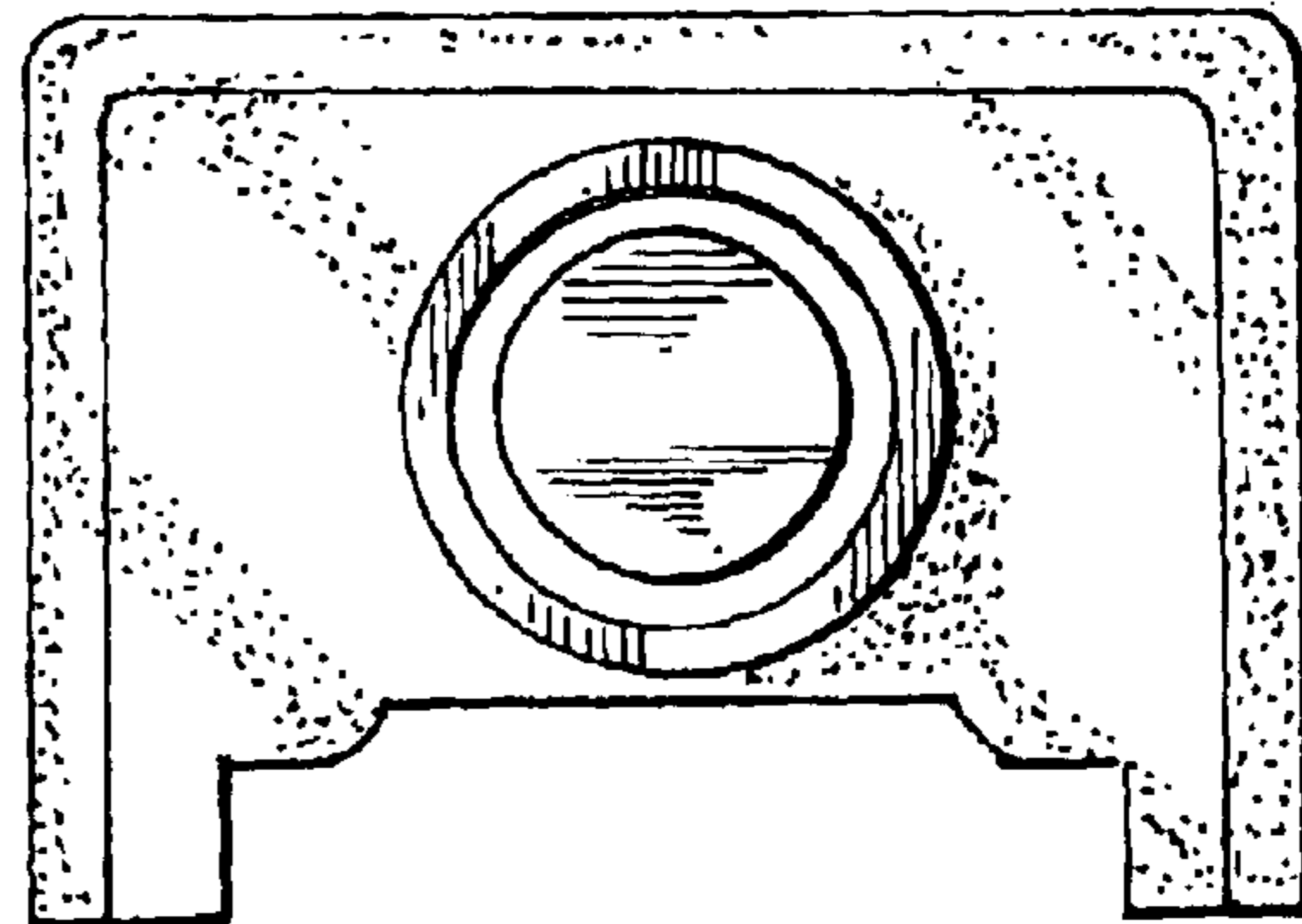
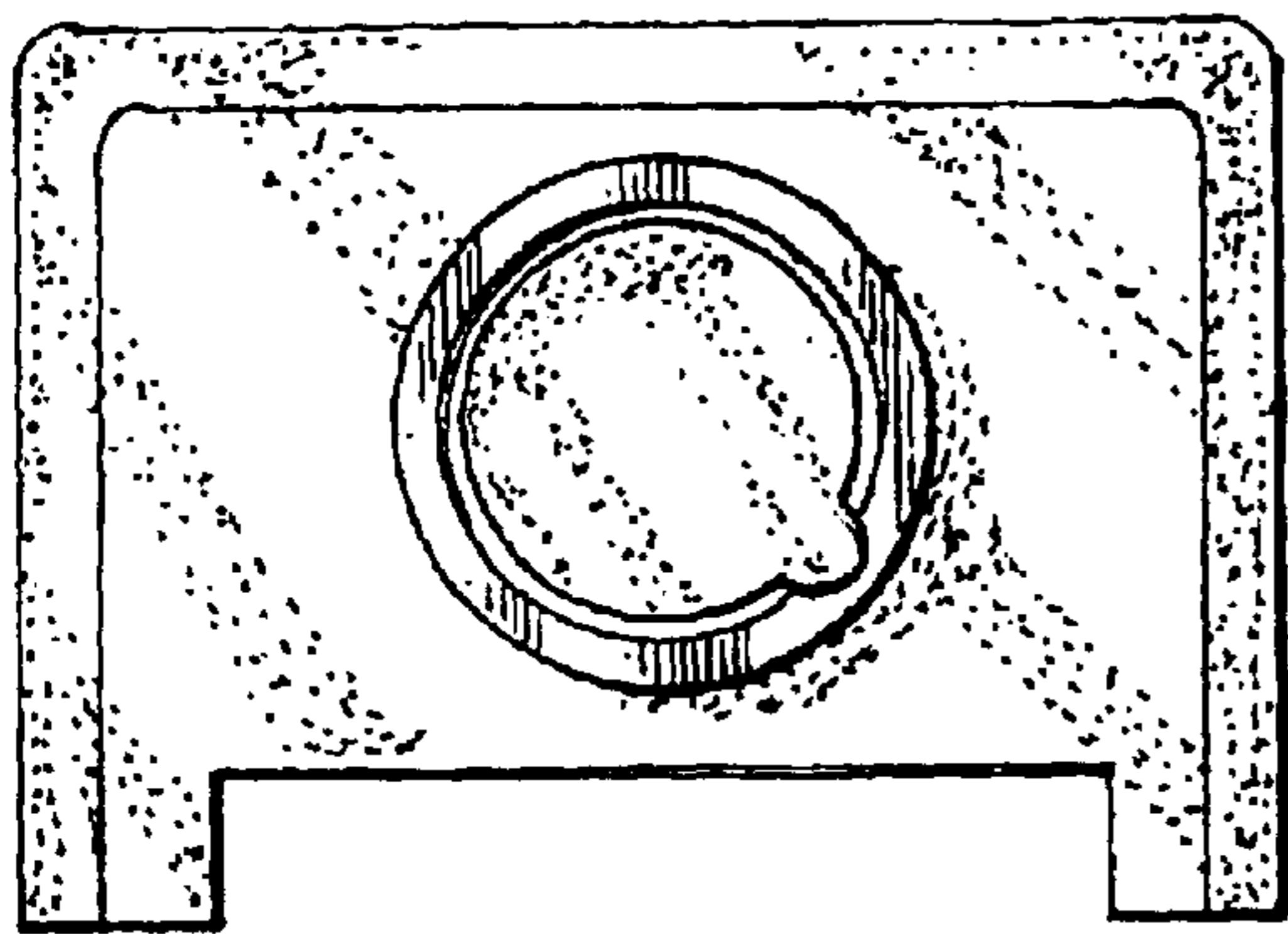
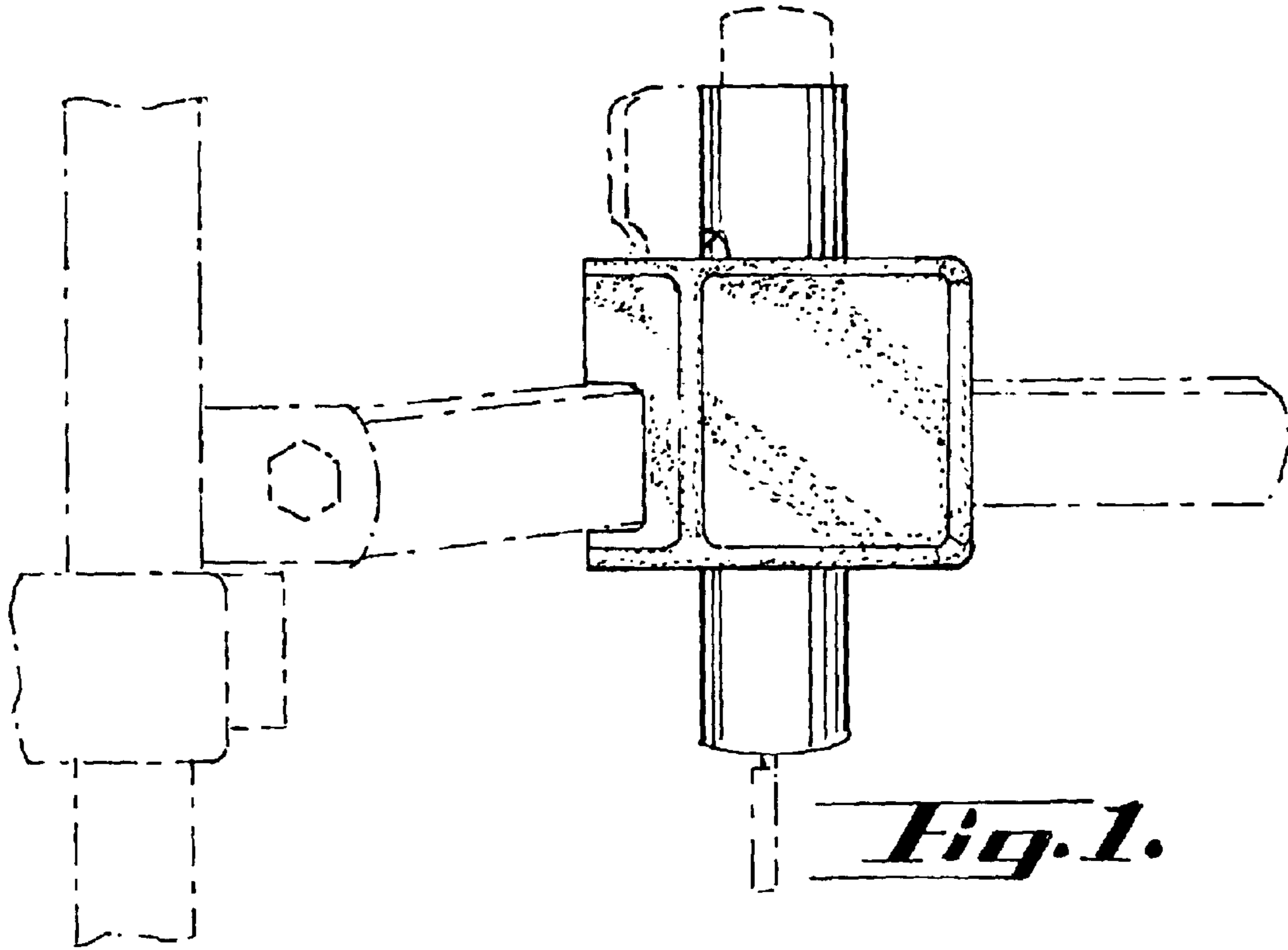
U.S. PATENT DOCUMENTS

4,131,002	A	*	12/1978	Gianelo	70/84
D320,338	S	*	10/1991	Mastrogiovanni	D8/331
D365,744	S	*	1/1996	Leung	D8/331
5,683,127	A	*	11/1997	Chamberlain	292/337
D431,998	S	*	10/2000	Johansson et al.	D8/331
D433,309	S	*	11/2000	Johansson et al.	D8/331

The broken line showing of door latch and lock key is for illustrative purpose only and forms no part of the claimed design.

1 Claim, 2 Drawing Sheets





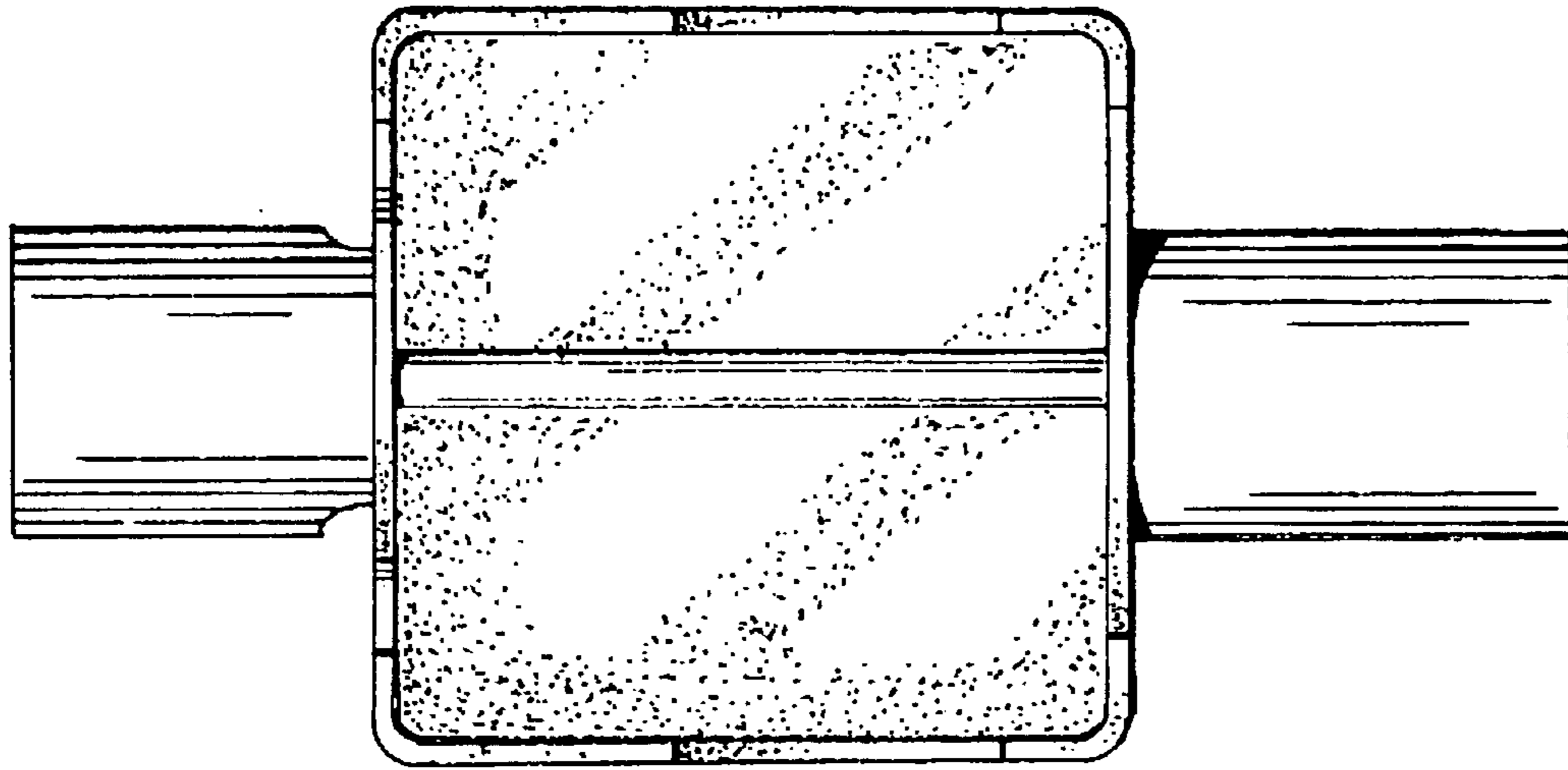


Fig. 6.

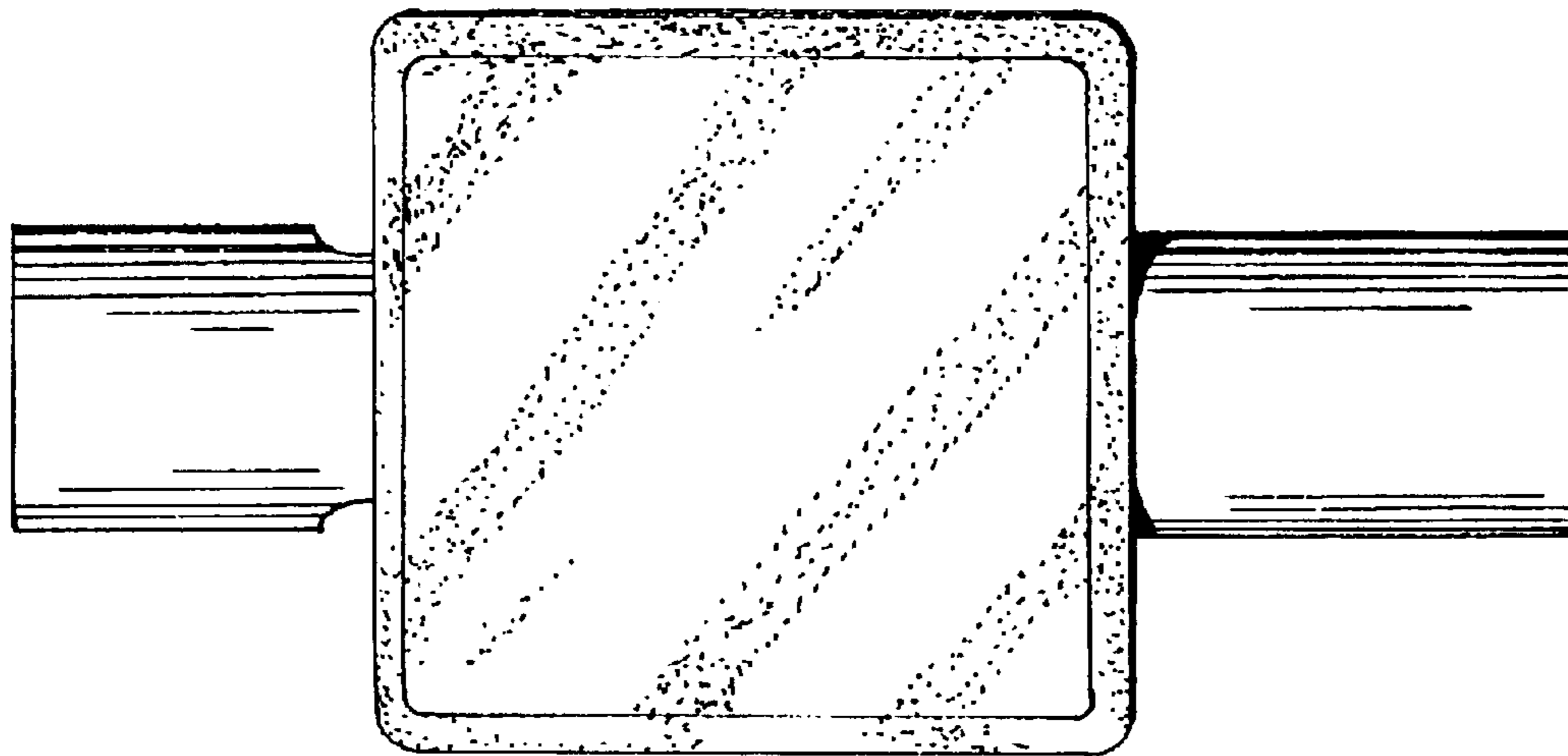


Fig. 5.

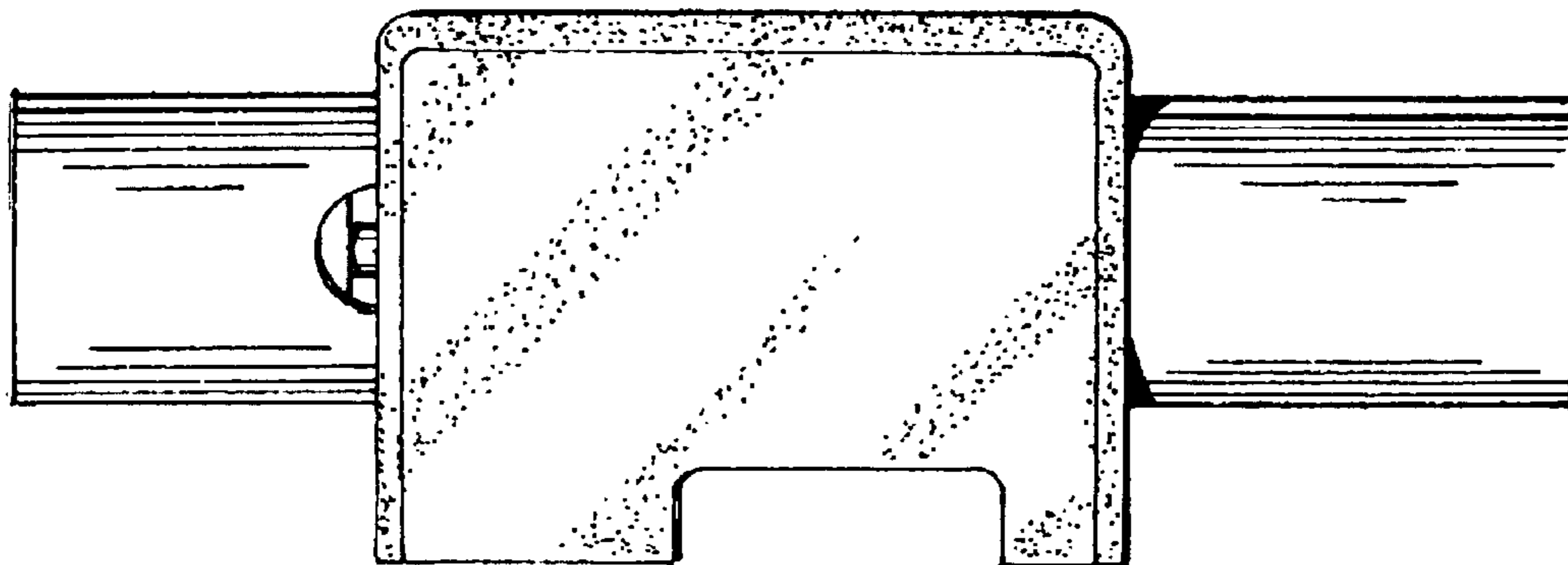


Fig. 4.