

US00D493686S1

(12) **United States Design Patent**
Fields

(10) **Patent No.:** **US D493,686 S**

(45) **Date of Patent:** **** Aug. 3, 2004**

(54) **KNOB**

(75) **Inventor:** **Betsy Fields, Silverton, CO (US)**

(73) **Assignee:** **Liberty Hardware MEG. Corp.,
Winston-Salem, NC (US)**

(**) **Term:** **14 Years**

(21) **Appl. No.:** **29/175,116**

(22) **Filed:** **Jan. 30, 2003**

(51) **LOC (7) Cl. 08-06**

(52) **U.S. Cl. D8/310**

(58) **Field of Search** D8/300-302, 307,
D8/313, 352, DIG. 2, 310-311; D13/158,
171, 174; 116/309, 311-312, 317-319,
DIG. 28, 298; 200/329, 336, 341; 292/169,
336.3, 347, 337; 16/309, 441

(56) **References Cited**

U.S. PATENT DOCUMENTS

D176,713 S * 1/1956 Ellis D8/DIG. 2

D200,463 S * 3/1965 Morgan D8/310
D263,554 S * 3/1982 Wasbrough et al. D8/301
5,076,626 A * 12/1991 Tiddy et al. 292/337
D454,049 S * 3/2002 LaPlume et al. D8/310

* cited by examiner

Primary Examiner—Nanda Bondade

(74) *Attorney, Agent, or Firm*—Edgar A. Zarins; Lloyd D. Doigan

(57) **CLAIM**

The ornamental design for a knob, as shown and described.

DESCRIPTION

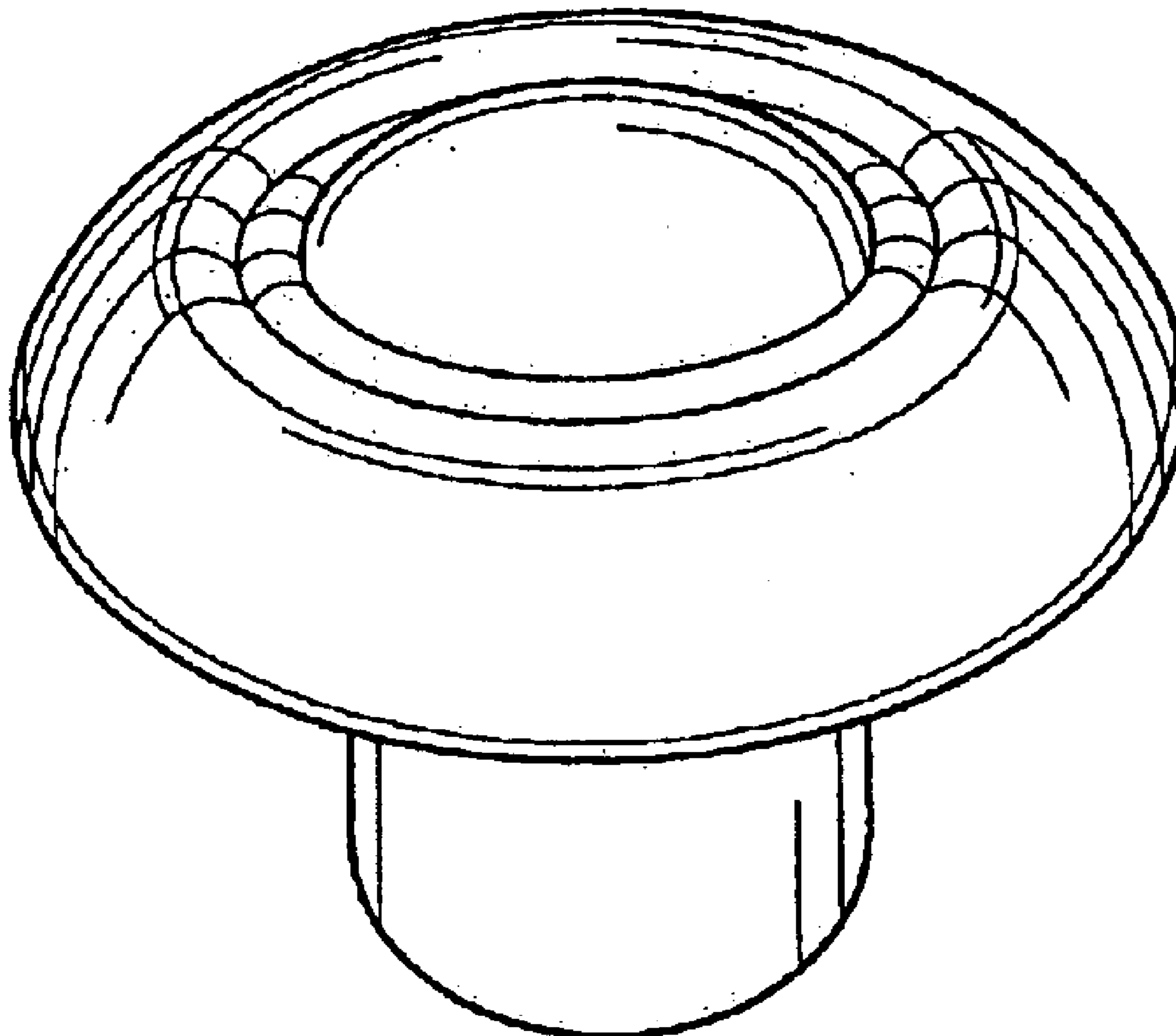
FIG. 1 is a perspective view of a knob showing my new design;

FIG. 2 is a side elevational view thereof;

FIG. 3 is a front view thereof; and,

FIG. 4 is a rear view thereof.

1 Claim, 1 Drawing Sheet



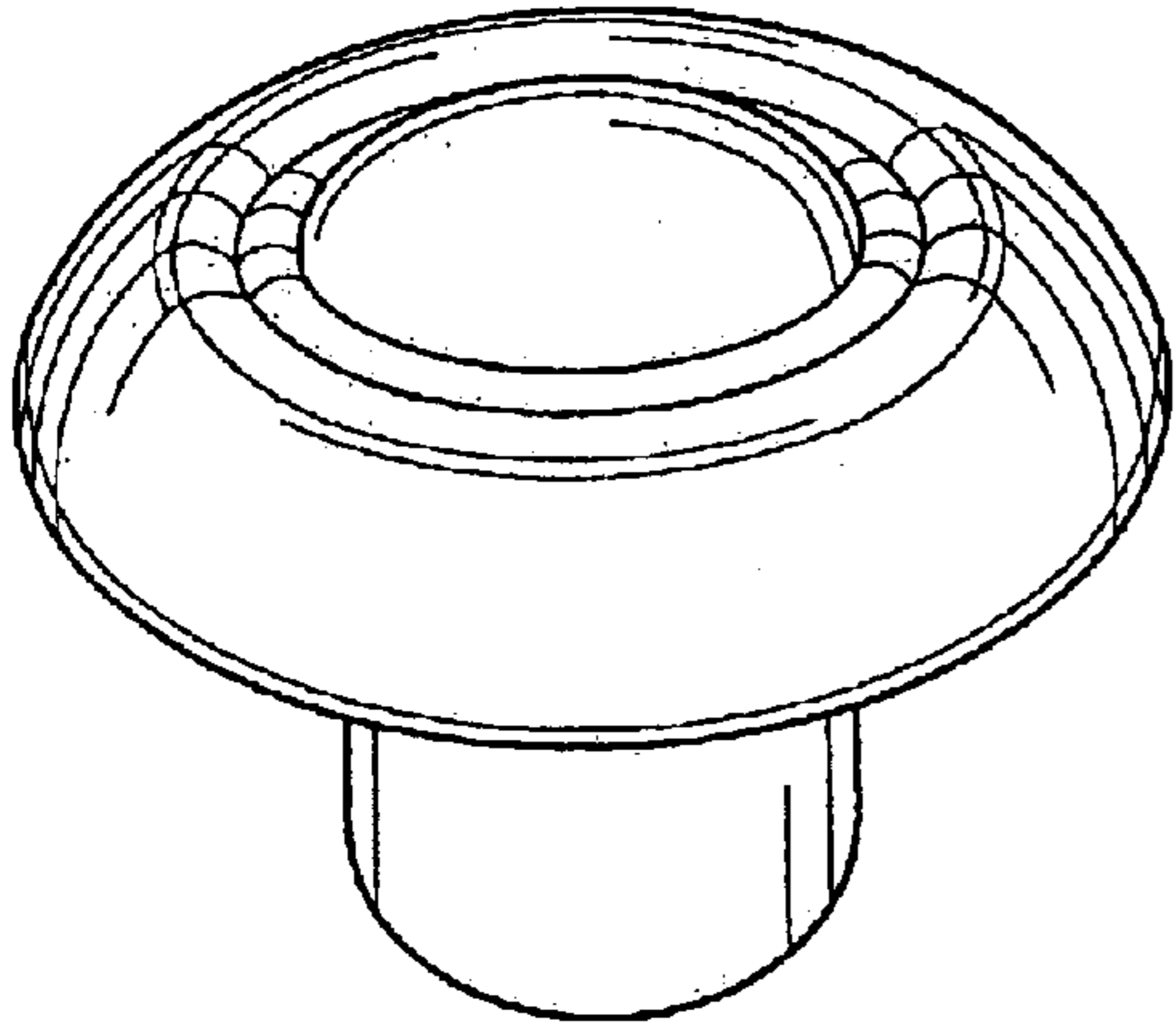


Fig-1

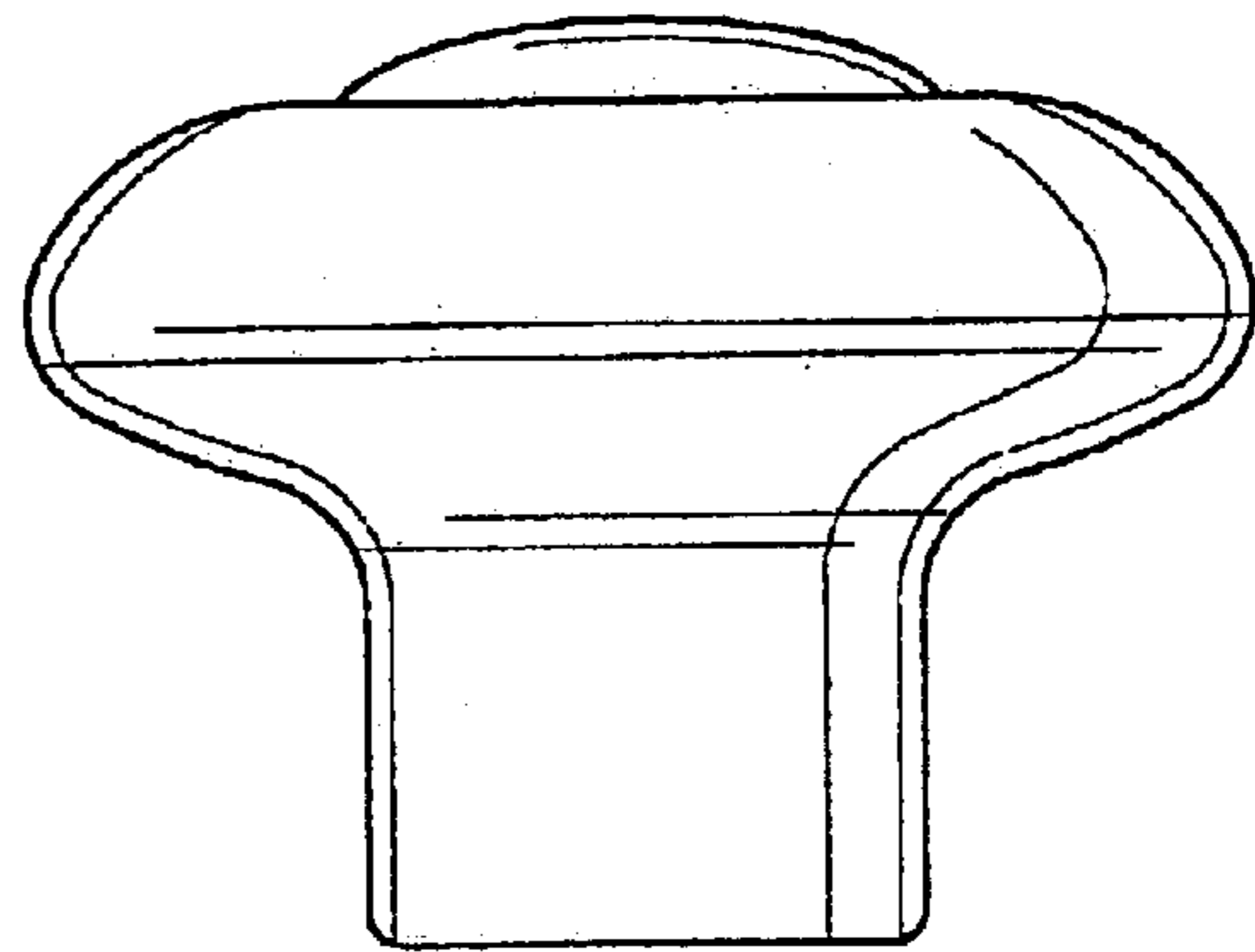


Fig-2

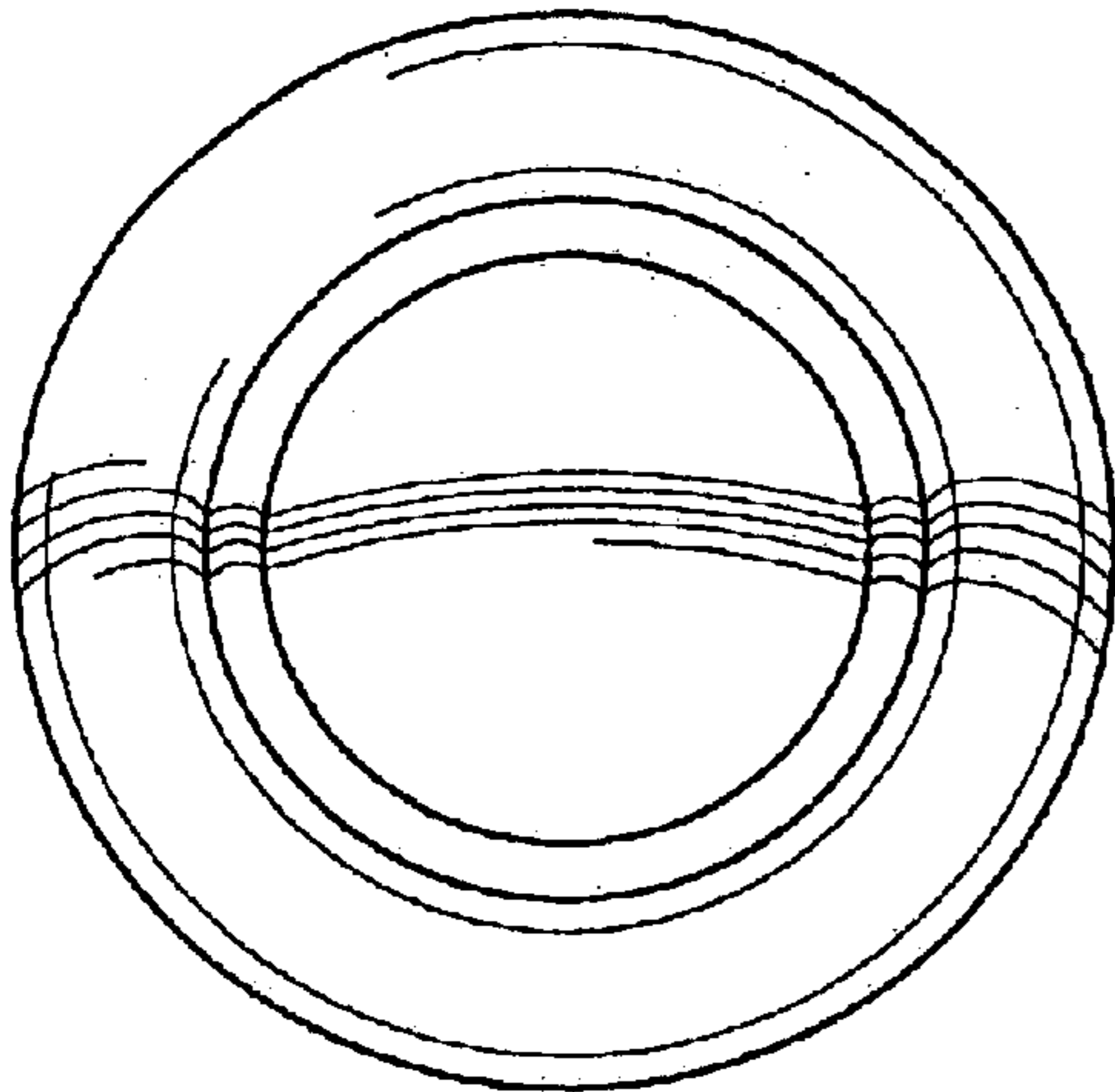


Fig-3

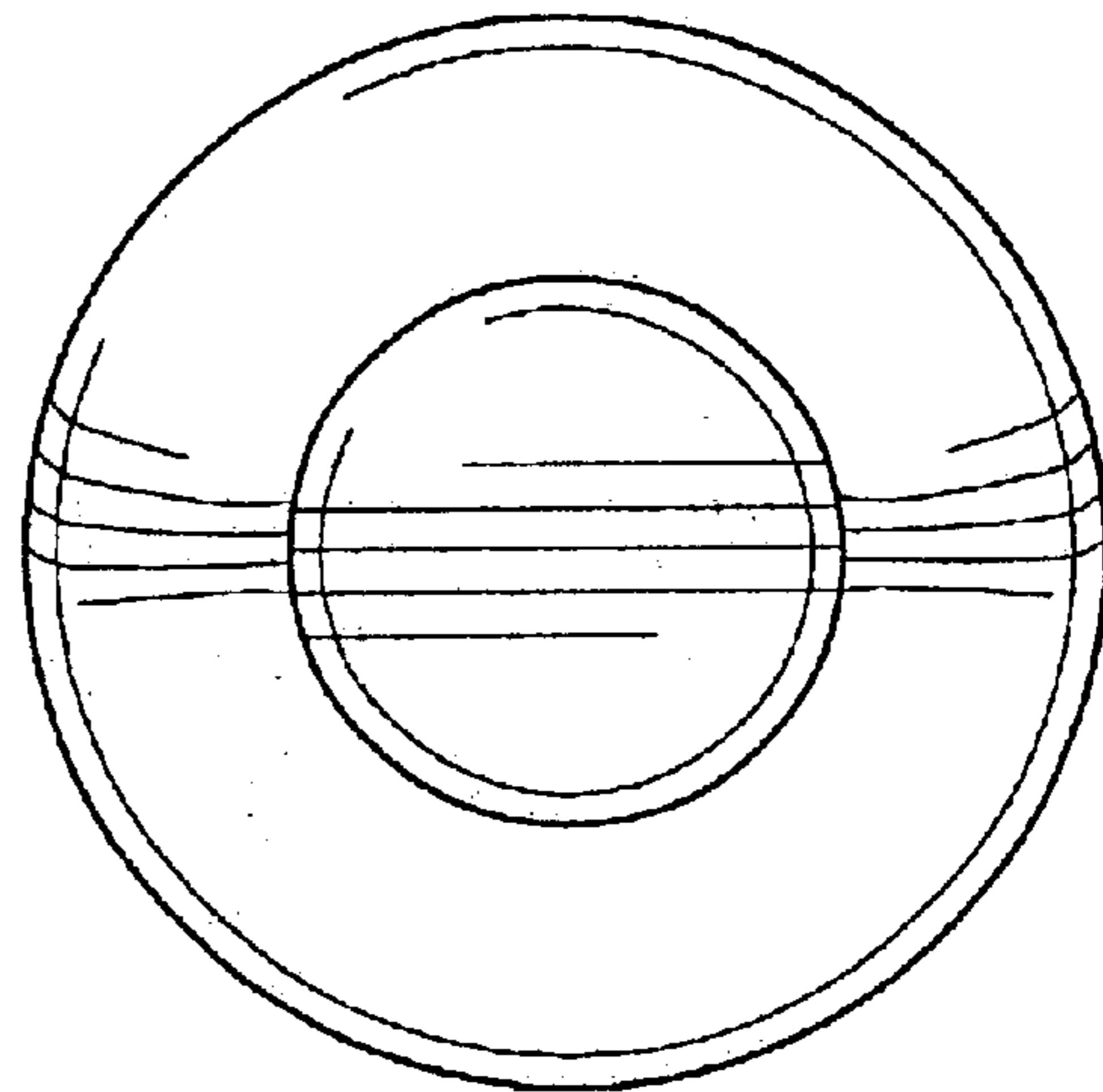


Fig-4