

US00D493681S1

(12) **United States Design Patent**  
**Conway et al.**

(10) **Patent No.:** **US D493,681 S**

(45) **Date of Patent:** **\*\* Aug. 3, 2004**

(54) **SOCKET CONNECTOR BODY**

(75) Inventors: **Christopher J. Conway**, Wilmot, NH (US); **Darrin H. MacKenzie**, Windsor, VT (US)

(73) Assignee: **Thermal Dynamics Corporation**, West Lebanon, NH (US)

(\*\*) Term: **14 Years**

(21) Appl. No.: **29/166,847**

(22) Filed: **Sep. 5, 2002**

(51) **LOC (7) Cl.** ..... **08-05**

(52) **U.S. Cl.** ..... **D8/30**

(58) **Field of Search** ..... D8/29.1, 30, 70; D15/144; 266/66; 219/137.31, 137.7, 137.63, 137.9, 137.71, 144, 121.39

(56) **References Cited**

**U.S. PATENT DOCUMENTS**

4,270,824 A \* 6/1981 Erickson ..... 439/194

4,529,861 A \* 7/1985 Blanton ..... 219/137.63  
4,864,099 A \* 9/1989 Cusick et al. .... 219/137.62  
6,078,023 A \* 6/2000 Jones et al. .... 219/137.63

\* cited by examiner

*Primary Examiner*—Philip S. Hyder

(74) *Attorney, Agent, or Firm*—Harness, Dickey & Pierce, P.L.C.

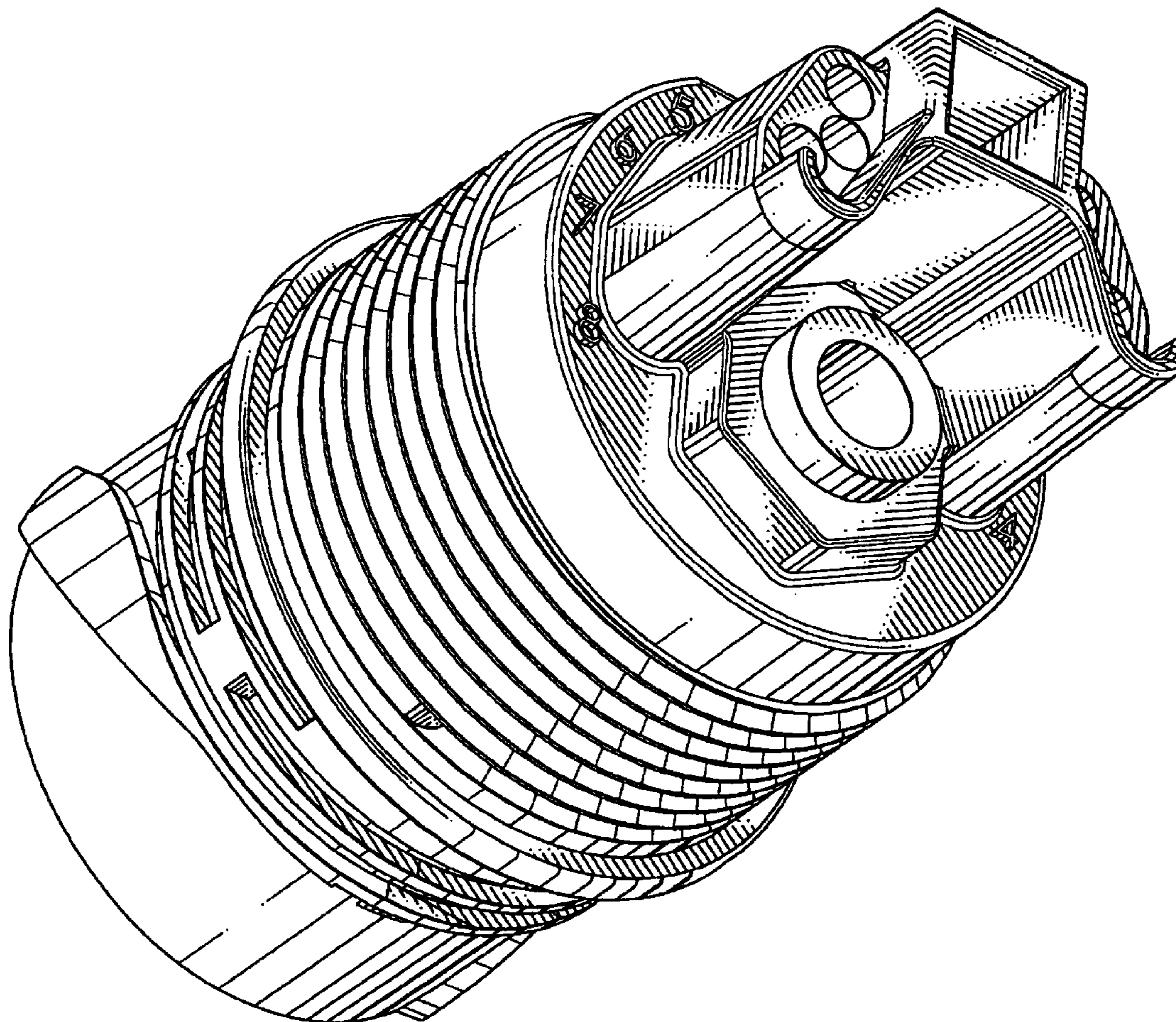
(57) **CLAIM**

The ornamental design for a socket connector body, as shown and described.

**DESCRIPTION**

FIG. 1 is a perspective view of the proximal end of the socket connector body;  
FIG. 2 is a front elevation view thereof;  
FIG. 3 is a back elevation view thereof;  
FIG. 4 is a left side elevation view thereof, rotated 180 degrees; and,  
FIG. 5 is a top plan view thereof.

**1 Claim, 4 Drawing Sheets**



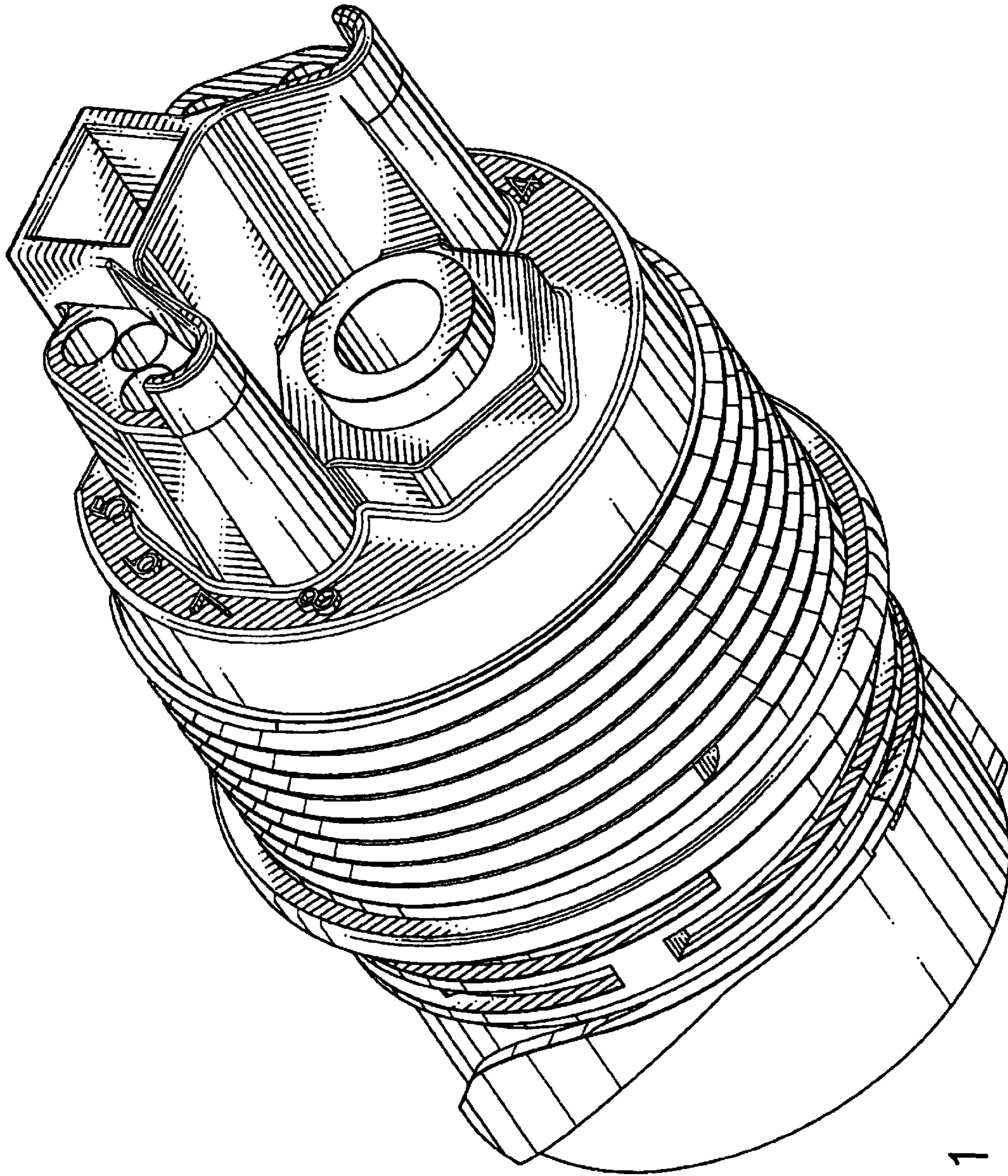


FIG. 1

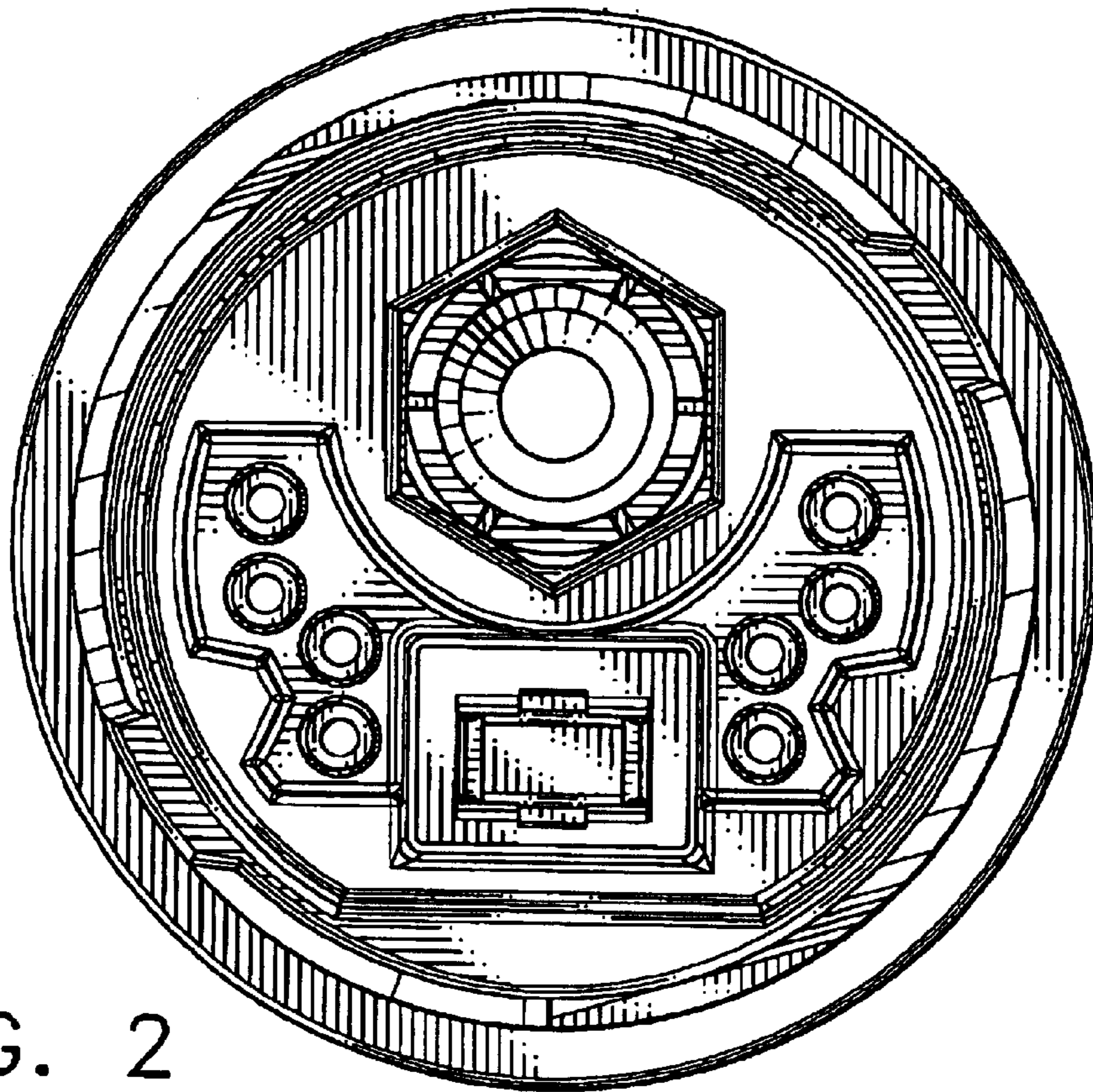


FIG. 2

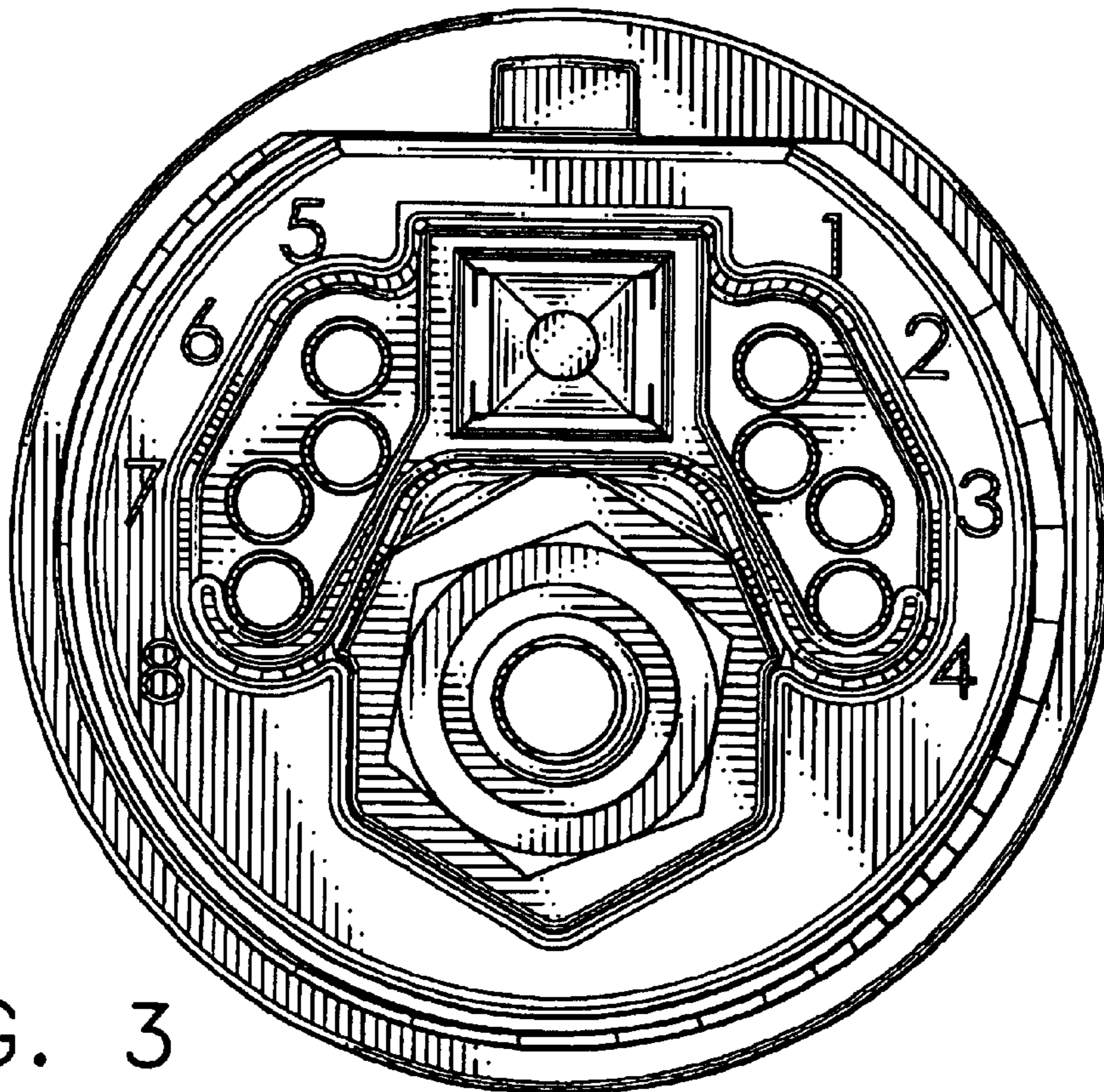


FIG. 3

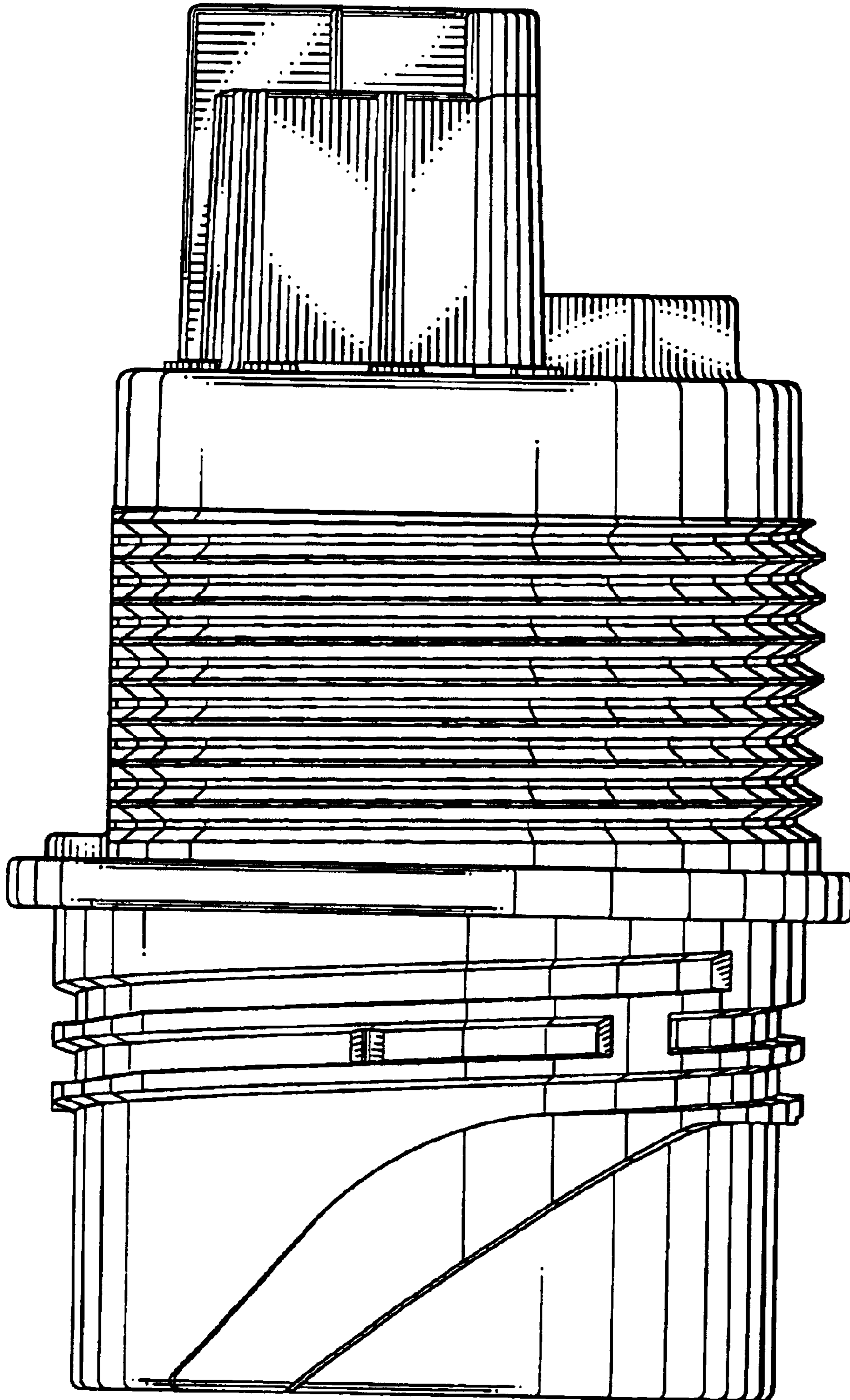


FIG. 4

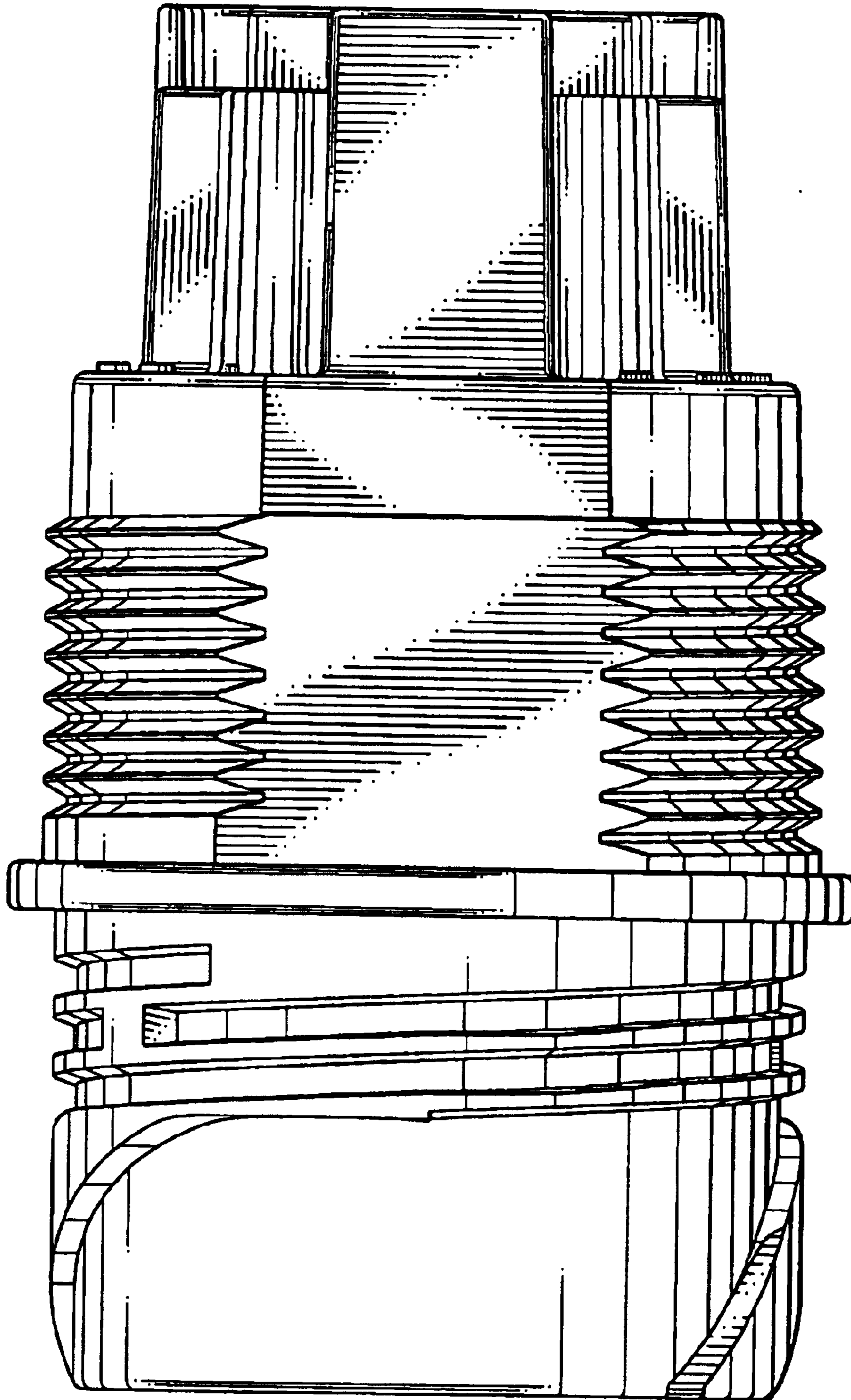


FIG. 5