

US00D493680S1

(12) **United States Design Patent**  
**Raymond**

(10) **Patent No.: US D493,680 S**

(45) **Date of Patent: \*\* Aug. 3, 2004**

(54) **CARGO STICK**

D287,219 S \* 12/1986 Smith ..... D8/14

(76) **Inventor: Robert V. Raymond**, 858 Middle St.,  
Fall River, MA (US) 02721

\* cited by examiner

*Primary Examiner*—Holly Baynham

(\*\*) **Term: 14 Years**

(57) **CLAIM**

(21) **Appl. No.: 29/179,598**

The ornamental design for a cargo stick, as shown and described.

(22) **Filed: Apr. 14, 2003**

**DESCRIPTION**

(51) **LOC (7) Cl. .... 08-05**

FIG. 1 is a perspective view of the cargo stick, showing my new design;

(52) **U.S. Cl. .... D8/14**

FIG. 2 is another perspective view thereof;

(58) **Field of Search** ..... D8/14; 294/24,  
294/26, 19.1

FIG. 3 is a left side view thereof;

FIG. 4 is a right side view thereof;

FIG. 5 is a top end view thereof;

FIG. 6 is a bottom end view thereof;

FIG. 7 is a front end view thereof; and,

FIG. 8 is a back end view thereof.

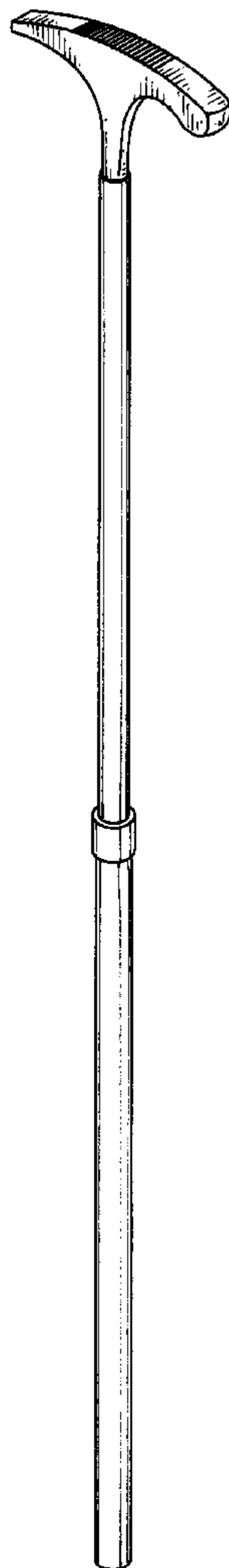
The shaft of the claimed design is shown broken away for ease of illustration.

(56) **References Cited**

**U.S. PATENT DOCUMENTS**

2,639,454 A	5/1953	Dory	
3,936,088 A	2/1976	Williams	
4,286,893 A	9/1981	Pomares	
D276,690 S	* 12/1984	Hamatani	..... D8/14
4,624,494 A	* 11/1986	Huppert	..... 294/26

**1 Claim, 4 Drawing Sheets**



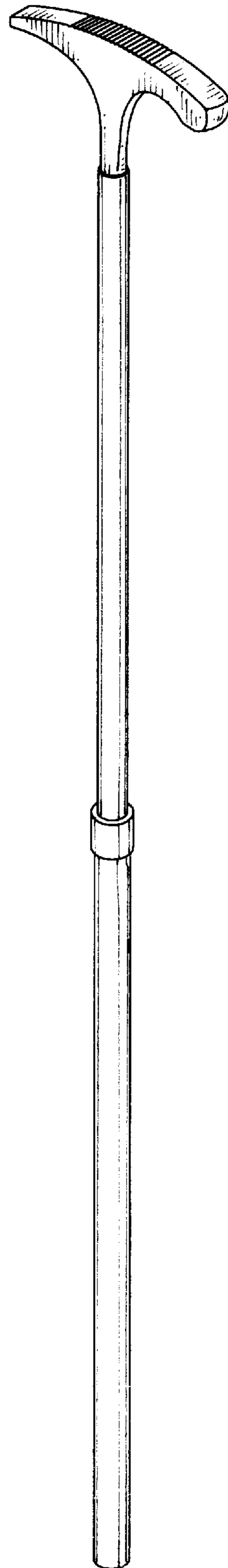


FIG. 1

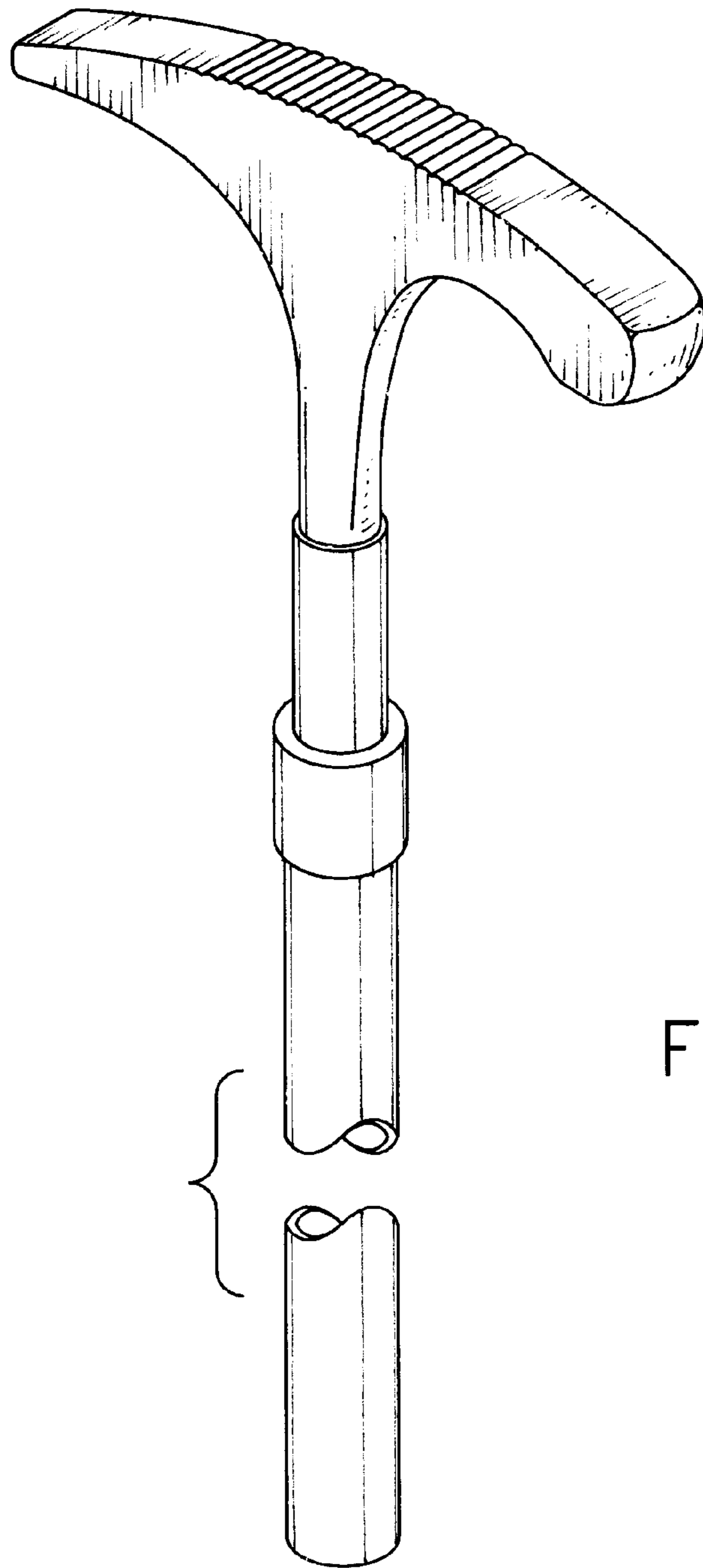


FIG. 2

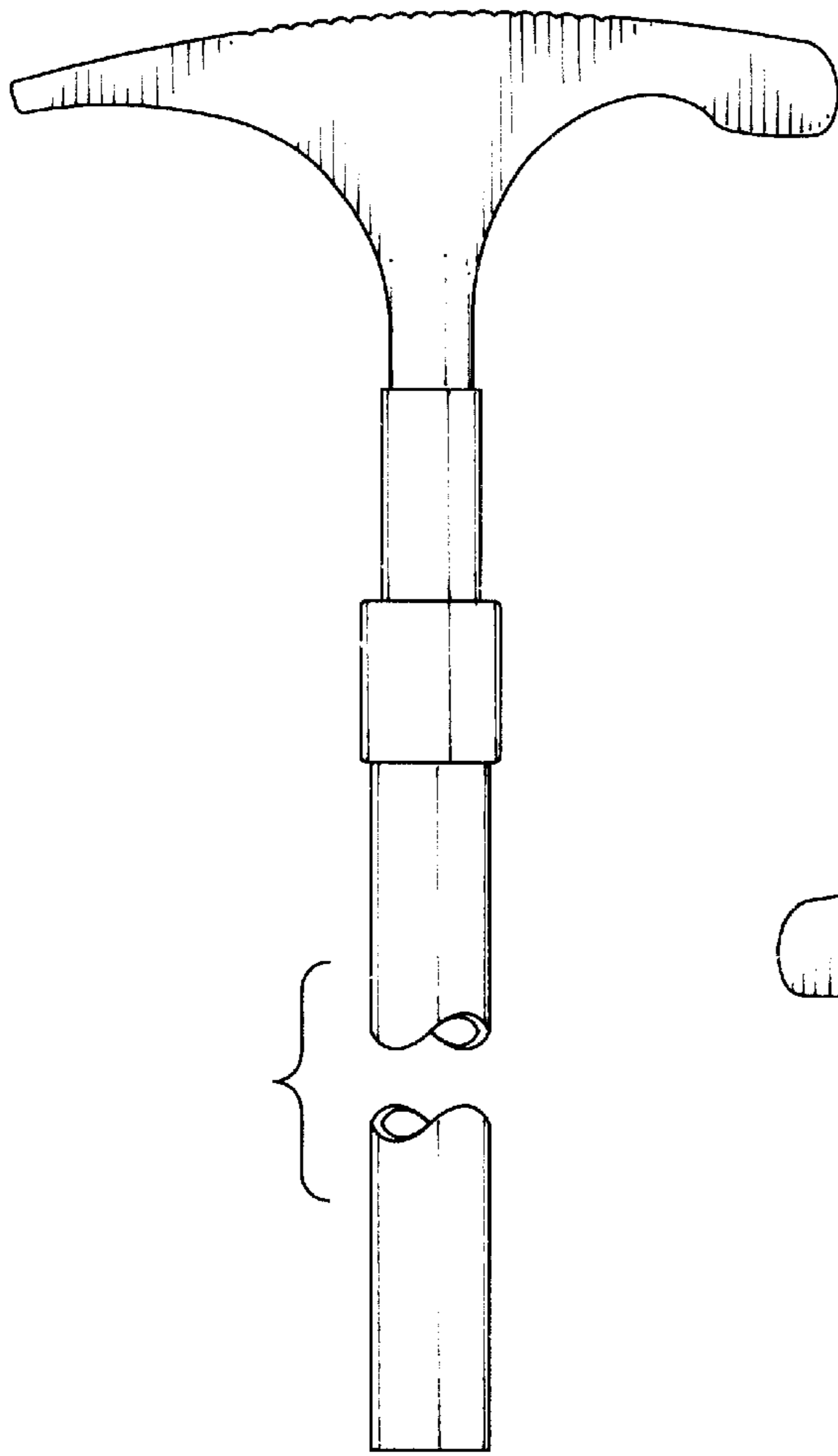


FIG. 3

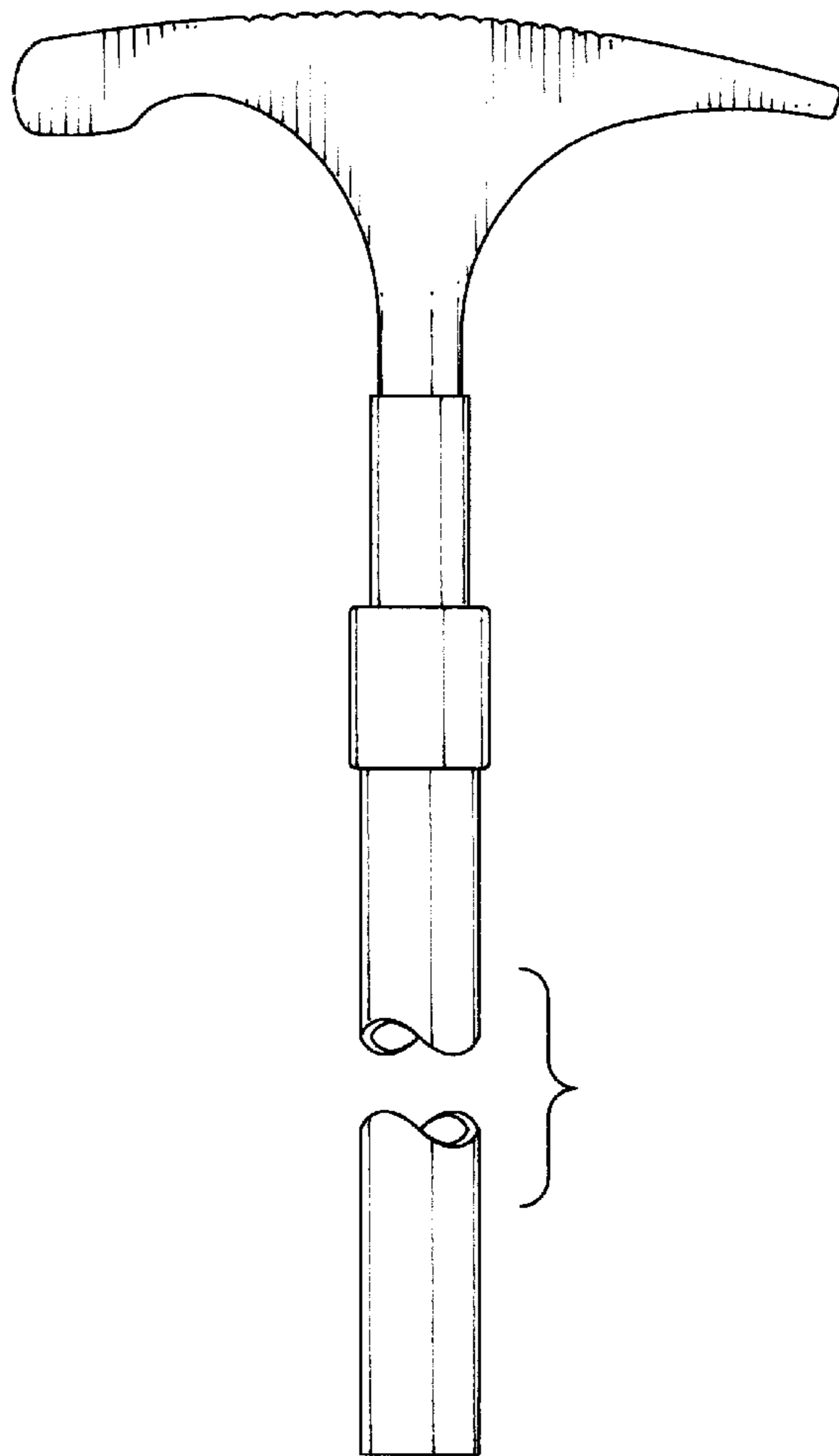


FIG. 4

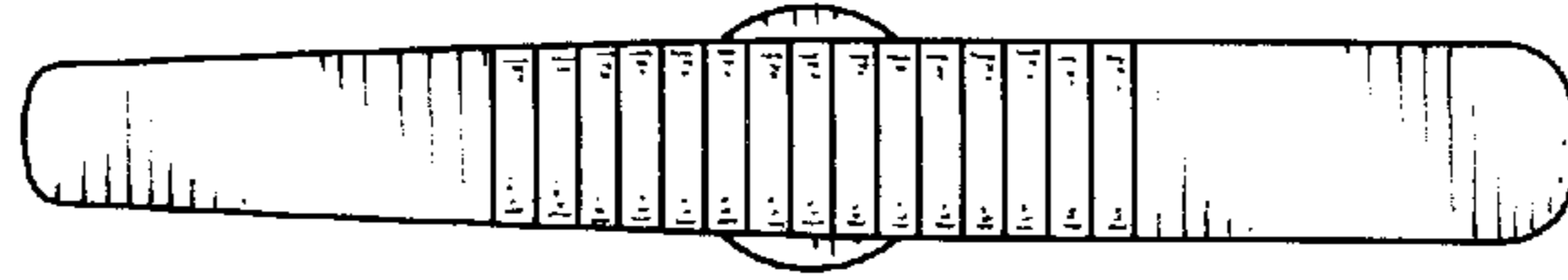


FIG. 5

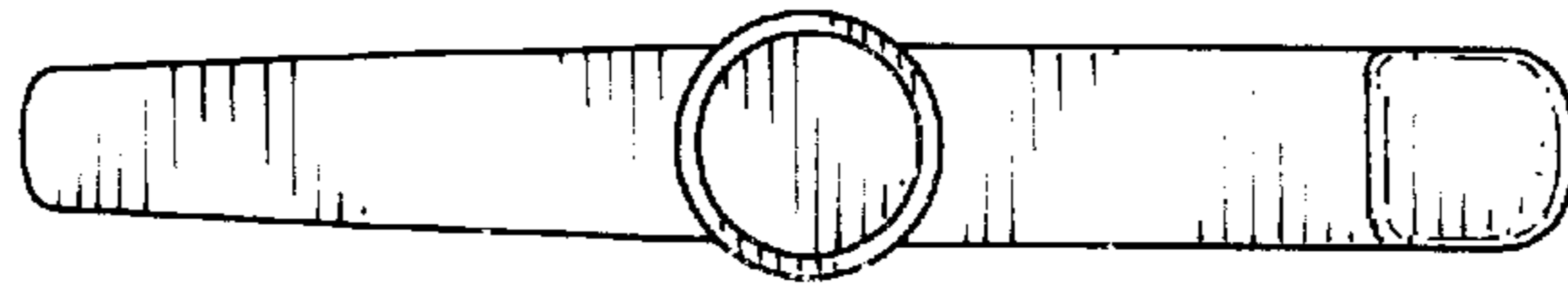


FIG. 6

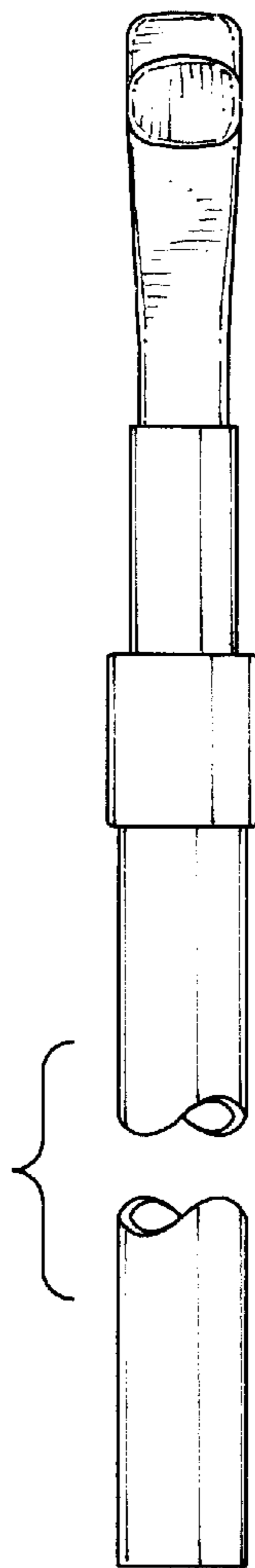


FIG. 7

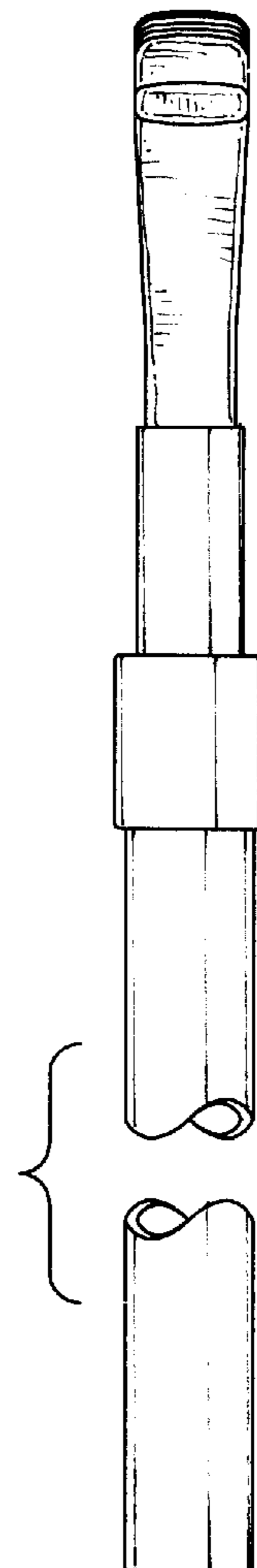


FIG. 8