

US00D493679S1

(12) **United States Design Patent**  
**Metzger-Boehringer**

(10) **Patent No.:** **US D493,679 S**

(45) **Date of Patent:** **\*\* Aug. 3, 2004**

(54) **SPATULA**

(75) **Inventor:** **Matthias Metzger-Boehringer,**  
Auerberg (DE)

(73) **Assignee:** **Rösle Metallwarenfabrik GmbH &**  
**Co. KG, Marktoberdorf (DE)**

(\*\*) **Term:** **14 Years**

(21) **Appl. No.:** **29/168,717**

(22) **Filed:** **Oct. 8, 2002**

(30) **Foreign Application Priority Data**

Apr. 22, 2002 (DE) ..... 4 02 03 582

(51) **LOC (7) Cl.** ..... **07-02**

(52) **U.S. Cl.** ..... **D7/692**

(58) **Field of Search** ..... D7/681-697, 393,  
D7/395, 401.2; D8/107; 294/7, 8

(56) **References Cited**

**U.S. PATENT DOCUMENTS**

D203,616 S \* 2/1966 Hvale ..... D7/692

D205,540 S \* 8/1966 Latham ..... D7/692  
D237,033 S \* 10/1975 Oppenheimer ..... D7/688  
D367,591 S \* 3/1996 Ancona ..... D7/692

\* cited by examiner

*Primary Examiner*—Terry A. Wallace

(74) *Attorney, Agent, or Firm*—Sidley Austin Brown &  
Wood, LLP

(57) **CLAIM**

The ornamental design for a spatula, as shown and  
described.

**DESCRIPTION**

FIG. 1 shows a perspective view of a spatula according to  
my new design;

FIG. 2 shows a leftside view of the spatula shown in FIG. 1;

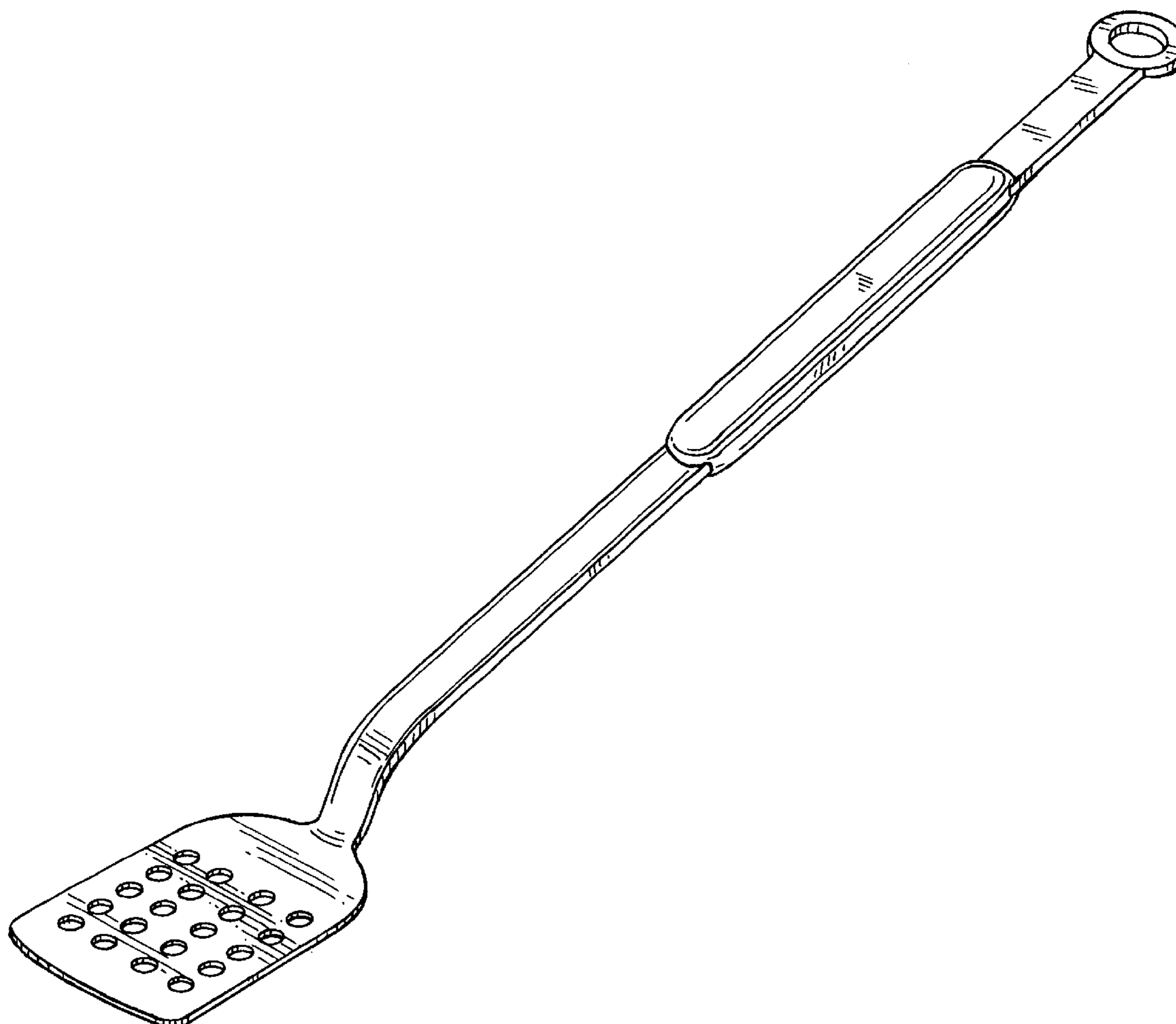
FIG. 3 shows a rightside view of the spatula shown in FIG.  
1;

FIG. 4 shows a top view of the spatula shown in FIG. 1;

FIG. 5 shows a front view of the spatula shown in FIG. 1;  
and,

FIG. 6 shows a bottom view of the spatula shown in FIG. 1.

**1 Claim, 2 Drawing Sheets**



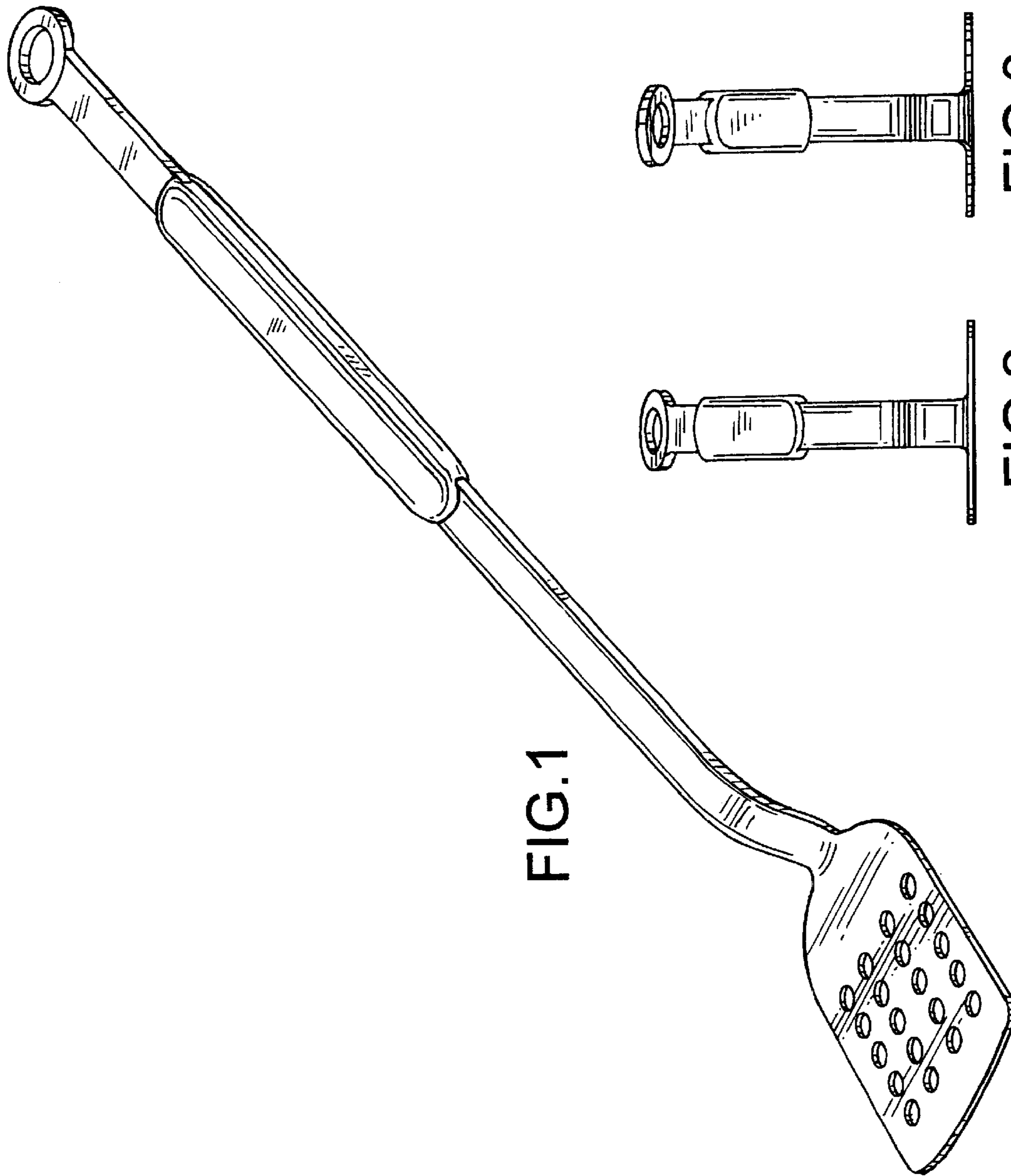


FIG.1

FIG.3

FIG.2

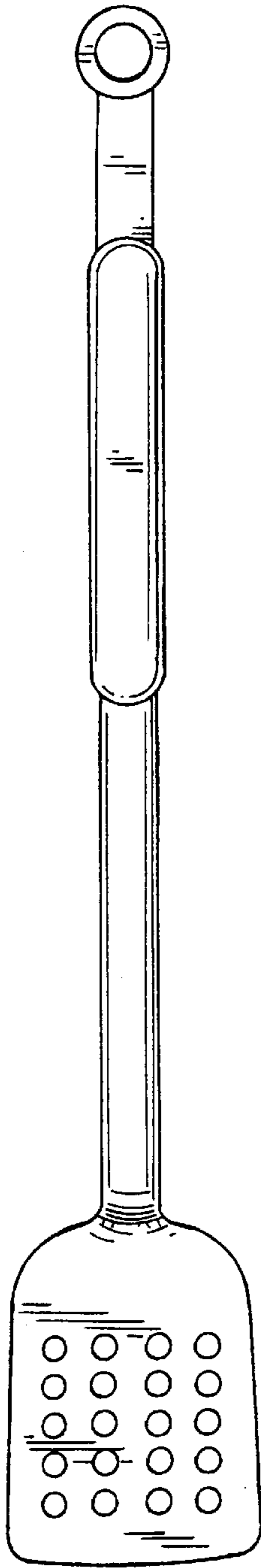


FIG. 4

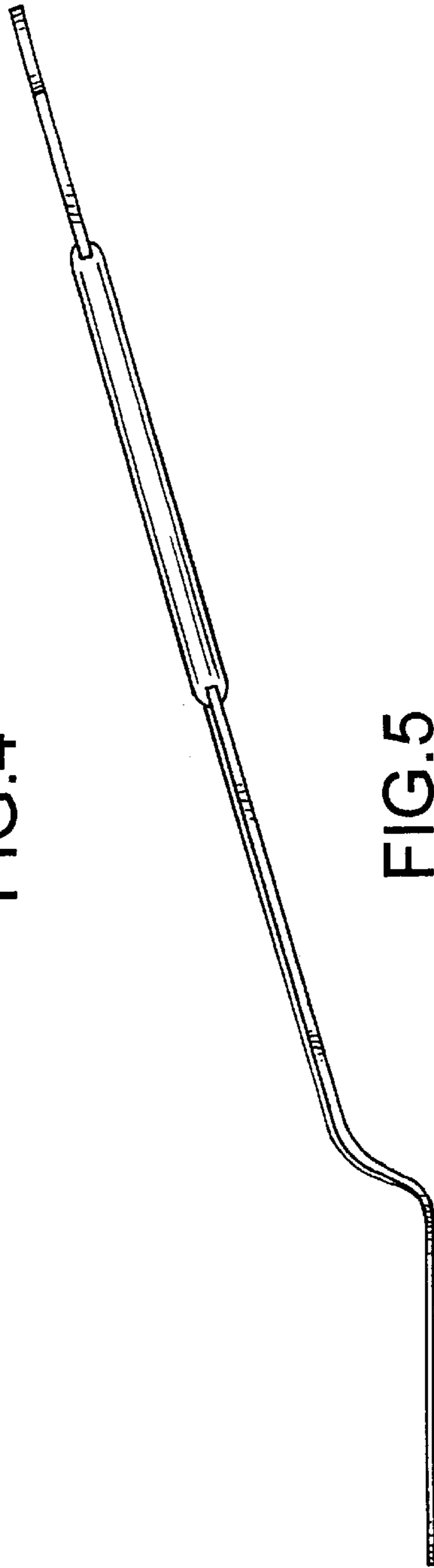


FIG. 5

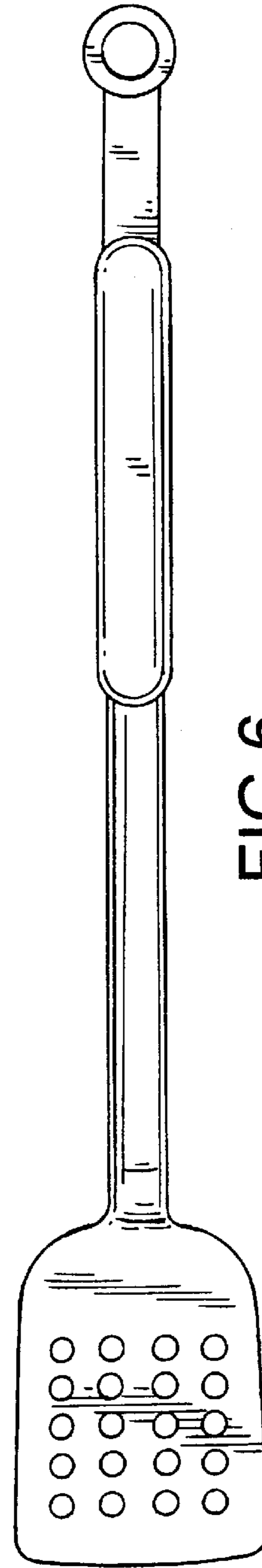


FIG. 6