

US00D493678S1

(12) **United States Design Patent**
Greco

(10) **Patent No.:** **US D493,678 S**

(45) **Date of Patent:** **** Aug. 3, 2004**

(54) **WHISK FOR MIXING LIQUIDS**

(75) **Inventor:** **Rosario Joseph Greco, Oshawa (CA)**

(73) **Assignee:** **Quisk Capital Corp., Oshawa (CA)**

(**) **Term:** **14 Years**

(21) **Appl. No.:** **29/181,947**

(22) **Filed:** **May 19, 2003**

(30) **Foreign Application Priority Data**

Feb. 19, 2003 (CA) 102142

(51) **LOC (7) Cl.** **07-02**

(52) **U.S. Cl.** **D7/690**

(58) **Field of Search** D7/688-697, 376,
D7/379, 380, 393, 395; 15/141.1, 141.2;
366/129, 130, 342-344; 416/69, 70 R, 71,
72, 227 R

(56) **References Cited**

U.S. PATENT DOCUMENTS

1,722,104 A * 7/1929 Miner 416/70 R

D302,638 S * 8/1989 Hiscott et al. D7/690
5,909,778 A * 6/1999 Acosta et al. 366/129

* cited by examiner

Primary Examiner—Terry A. Wallace

(74) *Attorney, Agent, or Firm*—Riches, McKenzie & Herbert LLP

(57) **CLAIM**

I claim the ornamental design for a whisk for mixing liquids, as shown.

DESCRIPTION

FIG. 1—is a front perspective view of a new whisk showing the new design.

FIG. 2—is a top elevational view thereof.

FIG. 3—is a bottom elevational view thereof.

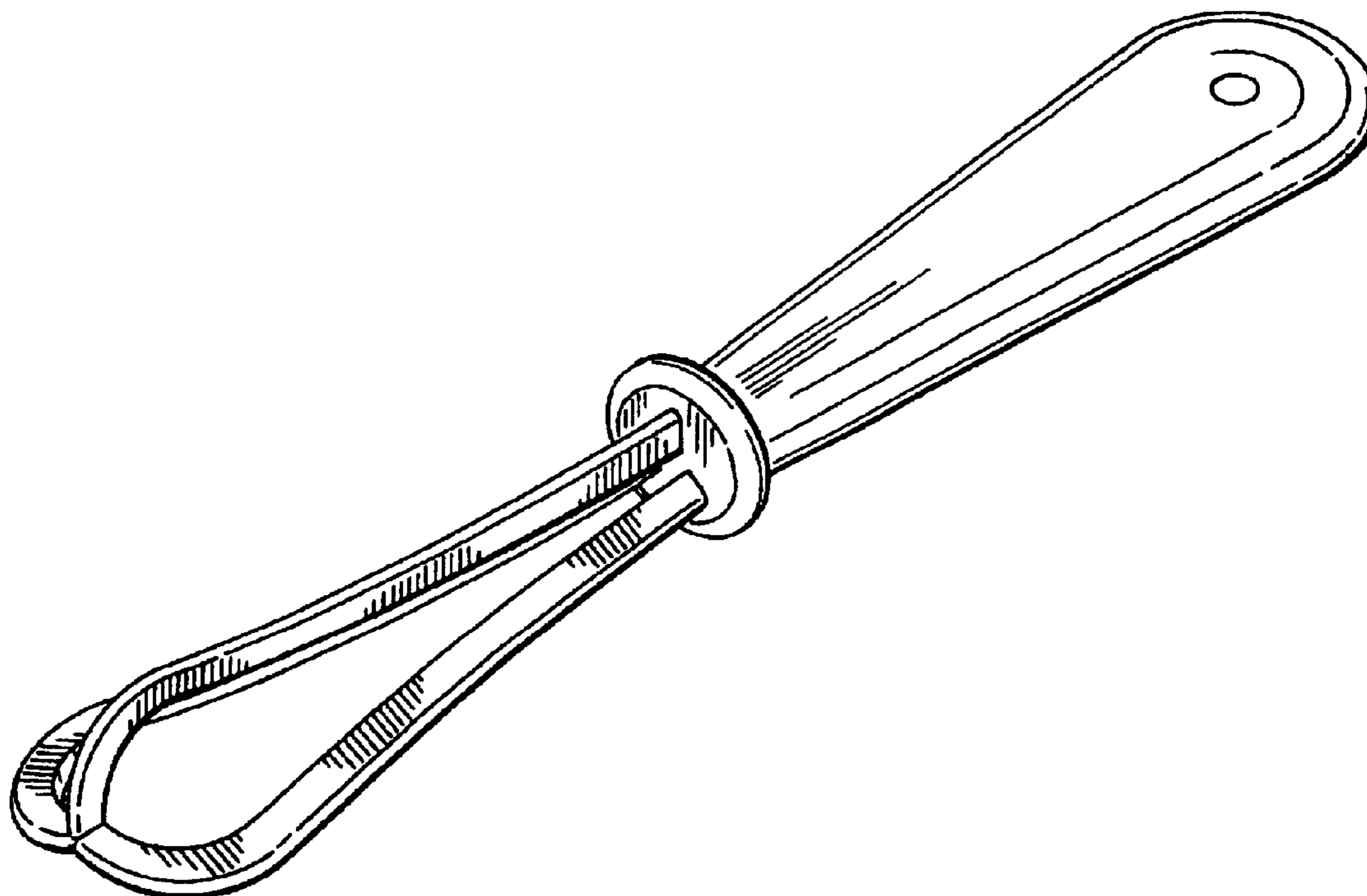
FIG. 4—is a front elevational view thereof.

FIG. 5—is a side elevational view thereof.

FIG. 6—is a rear elevational view thereof; and,

FIG. 7—is a side elevational view, the opposite side of FIG. 5.

1 Claim, 2 Drawing Sheets



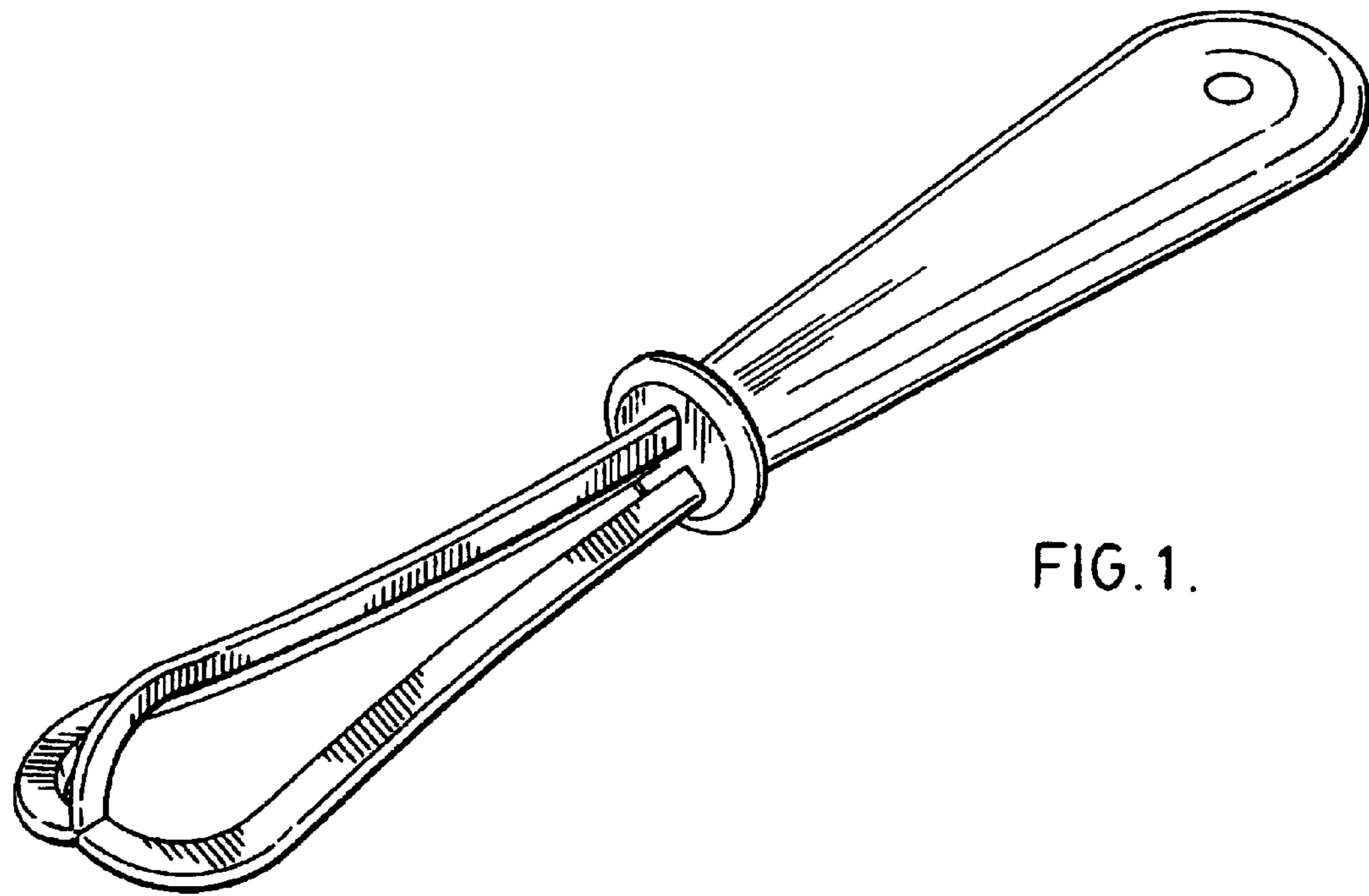


FIG. 1.

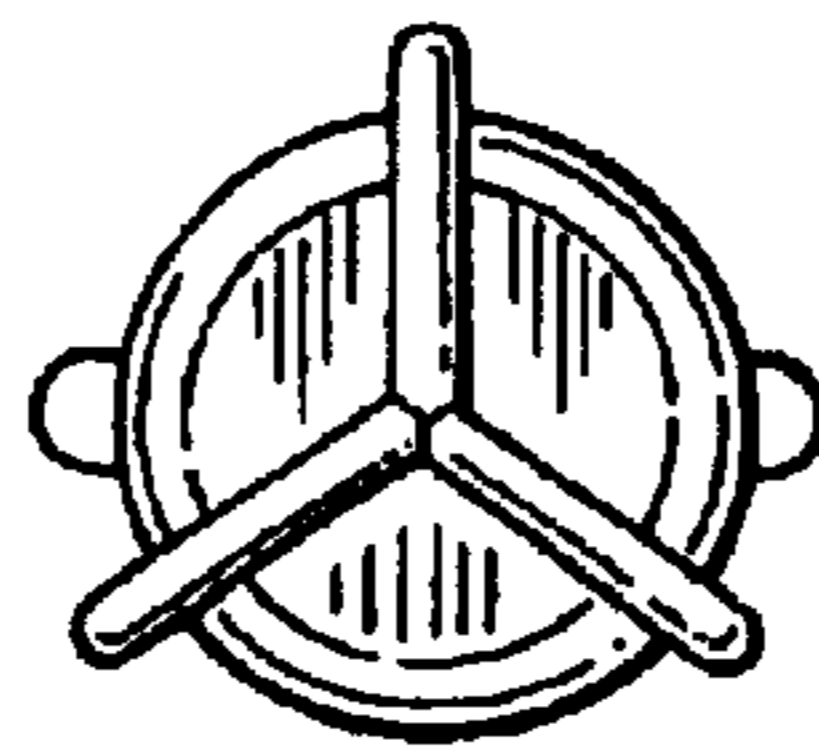


FIG. 2.

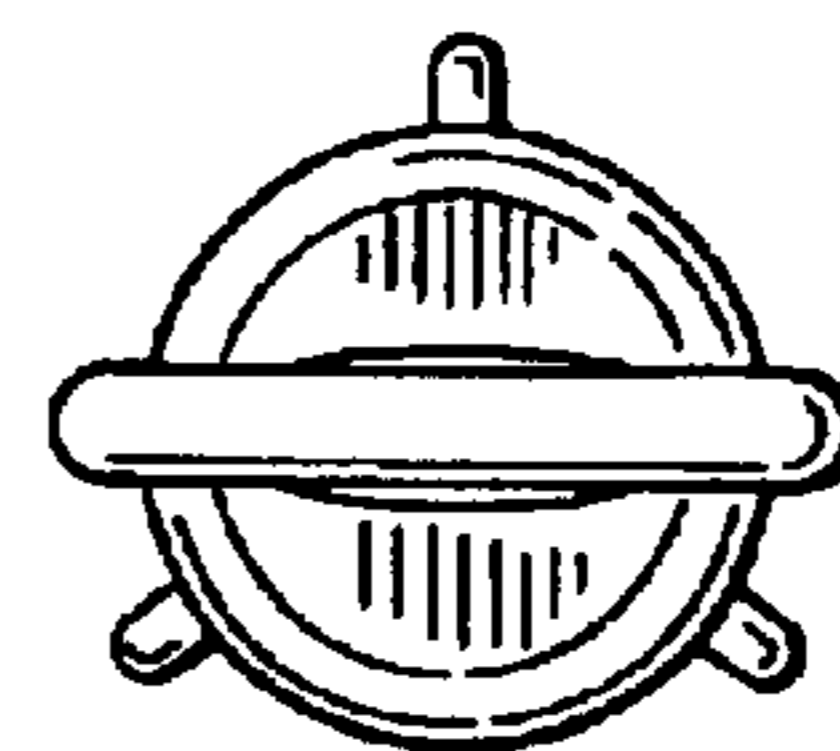


FIG. 3.

