

US00D493677S1

(12) **United States Design Patent** (10) **Patent No.:** **US D493,677 S**  
**Meyer** (45) **Date of Patent:** **\*\* Aug. 3, 2004**

(54) **FOOD STORAGE DEVICE**  
 (75) **Inventor:** **Debbie Jean Meyer**, Newton, CT (US)  
 (73) **Assignee:** **Housewares America, Inc.**, Iselin, NJ (US)  
 (\*\*) **Term:** **14 Years**

5,564,480 A 10/1996 Chen  
 5,564,581 A 10/1996 Lin  
 5,611,376 A 3/1997 Chuang  
 D384,554 S 10/1997 Ancona et al.  
 5,692,632 A 12/1997 Hsieh et al.  
 5,779,082 A 7/1998 Miramon  
 5,803,282 A 9/1998 Chen et al.  
 D405,651 S 2/1999 Schmidt  
 6,206,220 B1 3/2001 Stodd

(21) **Appl. No.:** **29/178,588**  
 (22) **Filed:** **Mar. 28, 2003**

\* cited by examiner

(51) **LOC (7) Cl.** ..... **07-01**  
 (52) **U.S. Cl.** ..... **D7/629; D7/610**  
 (58) **Field of Search** ..... D7/610, 629, 502,  
 D7/538-542; 206/467, 508, 519; 220/4.21,  
 780-788, 792-799, 669-675; 426/128

*Primary Examiner*—Terry A. Wallace  
 (74) *Attorney, Agent, or Firm*—Frishauf, Holtz, Goodman & Chick, P.C.

(57) **CLAIM**

The ornamental design for a food storage device, as shown and described.

(56) **References Cited**

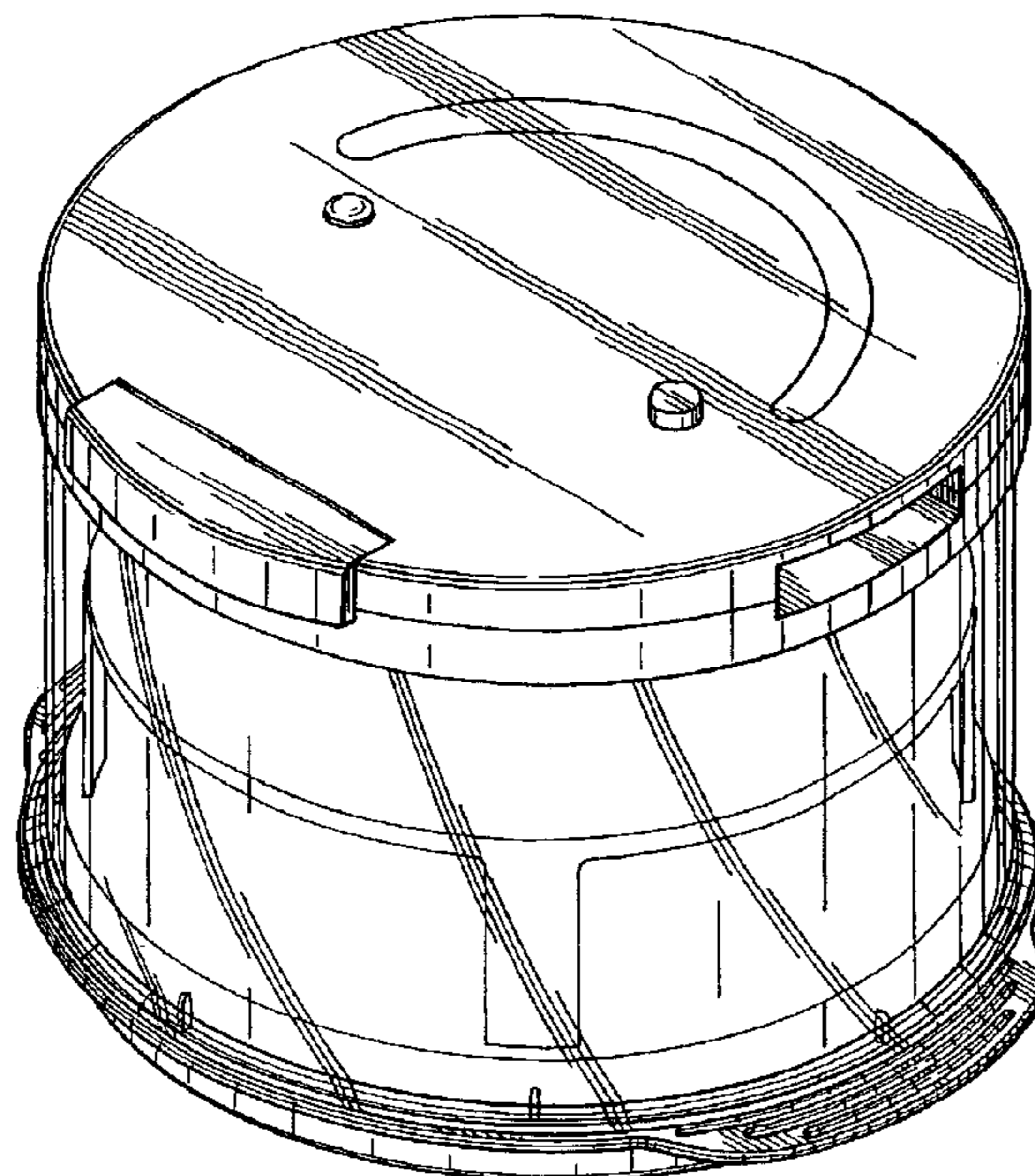
**DESCRIPTION**

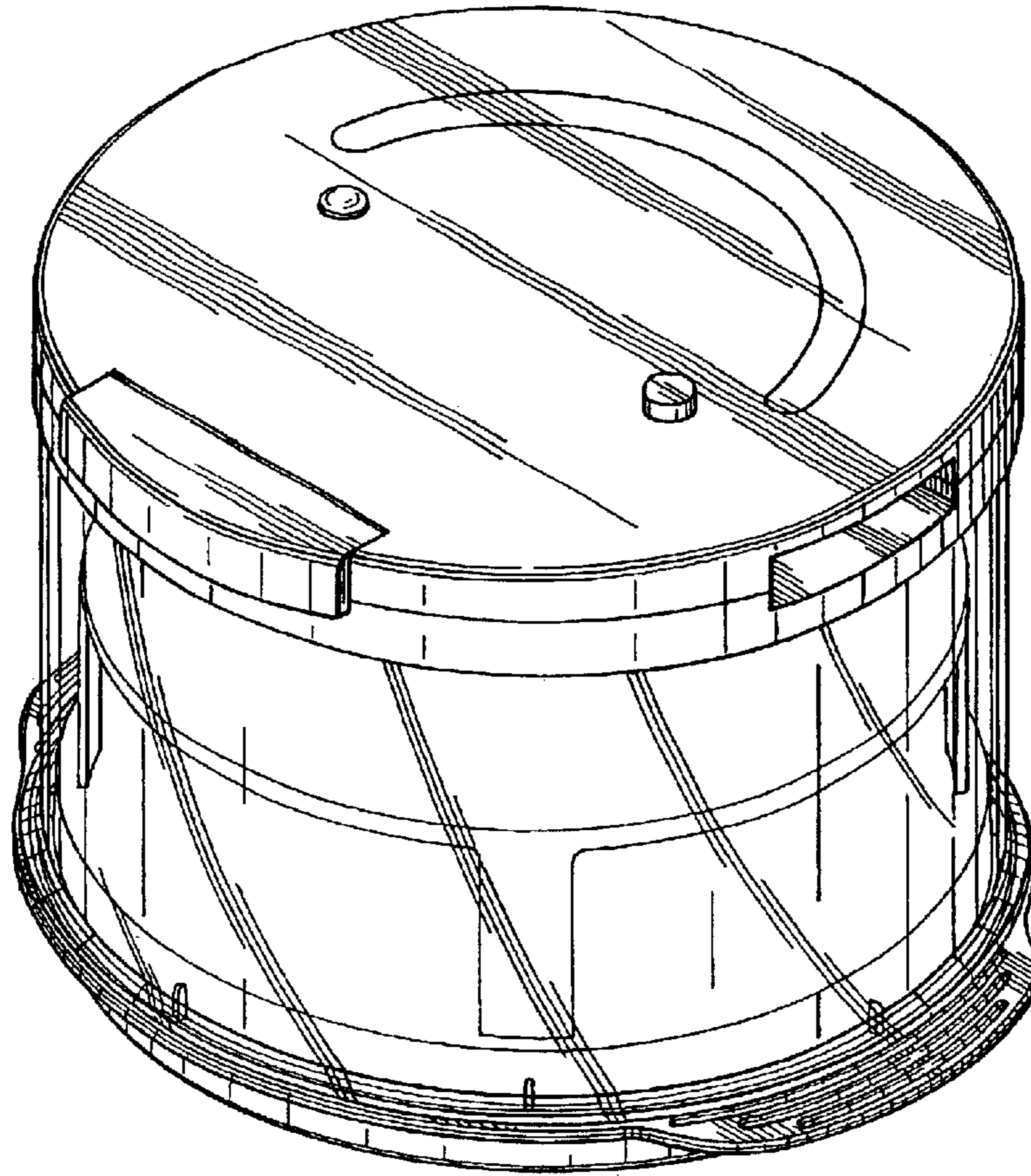
**U.S. PATENT DOCUMENTS**

1,800,491 A	4/1931	Zoia	
2,669,176 A	2/1954	Lazerus	
2,772,018 A	11/1956	Weiss	
2,916,173 A	12/1959	Klingler	
3,306,311 A	2/1967	Buerger	
3,672,114 A	6/1972	Sacks	
3,815,736 A	6/1974	Sedlak	
4,149,650 A	4/1979	Whelchel et al.	
4,218,967 A	8/1980	Batchelor	
4,452,356 A	* 6/1984	Dahl	426/128
4,705,163 A	* 11/1987	James	426/128
4,942,970 A	7/1990	Jay	
4,989,745 A	2/1991	Schneider	
5,406,992 A	4/1995	Miramon	
5,535,900 A	7/1996	Huang	
5,546,997 A	8/1996	Miramon	
D373,708 S	9/1996	Hamilton et al.	
5,558,243 A	9/1996	Chu	

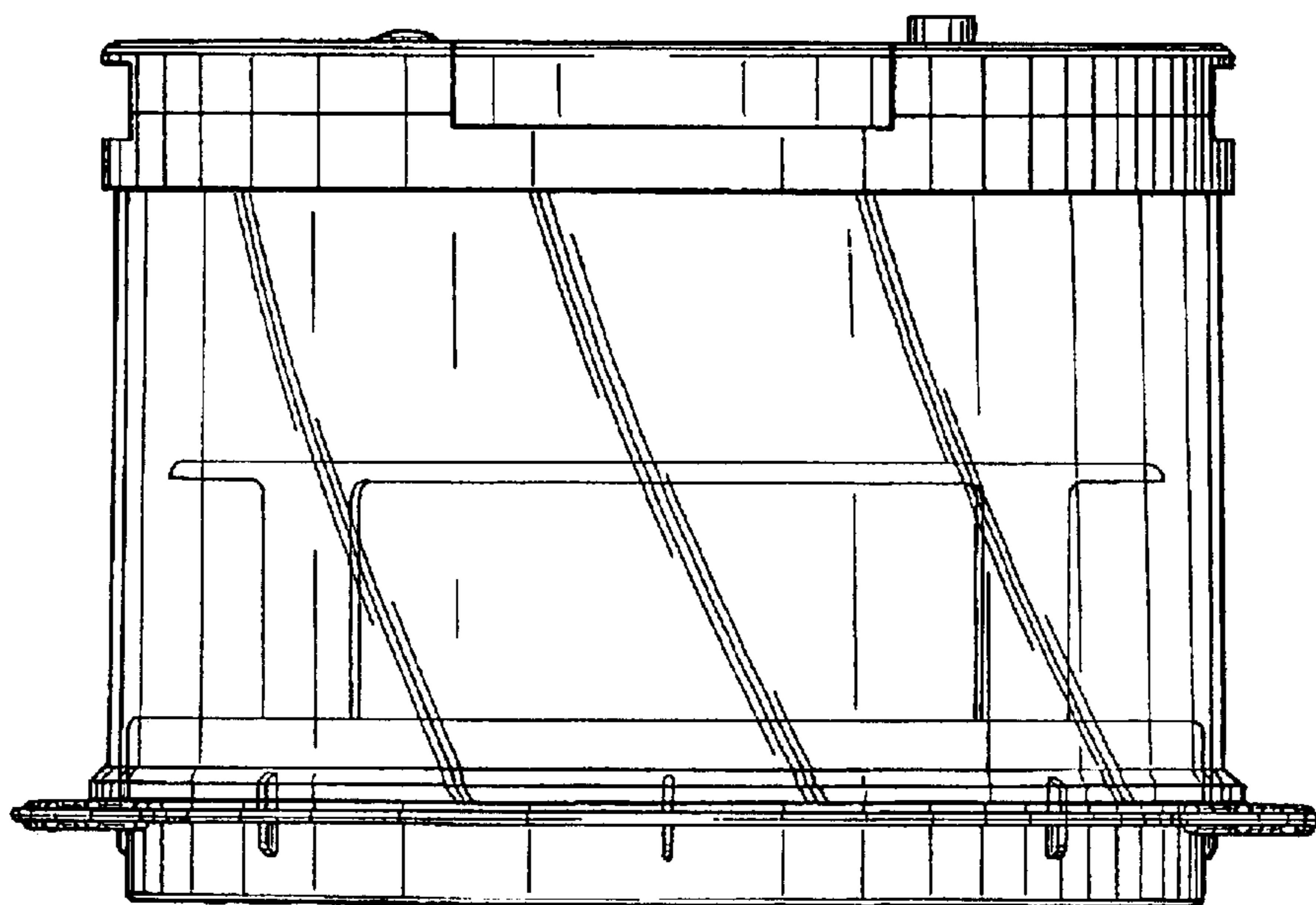
FIG. 1 is a top, front, right-side perspective view of a first embodiment configured as in use;  
 FIG. 2 is a front elevational view of same;  
 FIG. 3 is a rear elevational view of same;  
 FIG. 4 is a left-side elevational view of same;  
 FIG. 5 is a right-side elevational view of same;  
 FIG. 6 is a top plan view of same;  
 FIG. 7 is a bottom plan view of same;  
 FIG. 8 is a top, front, right side perspective view of a second embodiment configured as in use;  
 FIG. 9 is a front elevational view of same;  
 FIG. 10 is a rear elevational view of same;  
 FIG. 11 is a left-side elevational view of same; and,  
 FIG. 12 is a right-side elevational view of same, the top plan and bottom plan views of the second embodiment being the same as those shown in FIGS. 6 and 7, respectively.

**1 Claim, 7 Drawing Sheets**

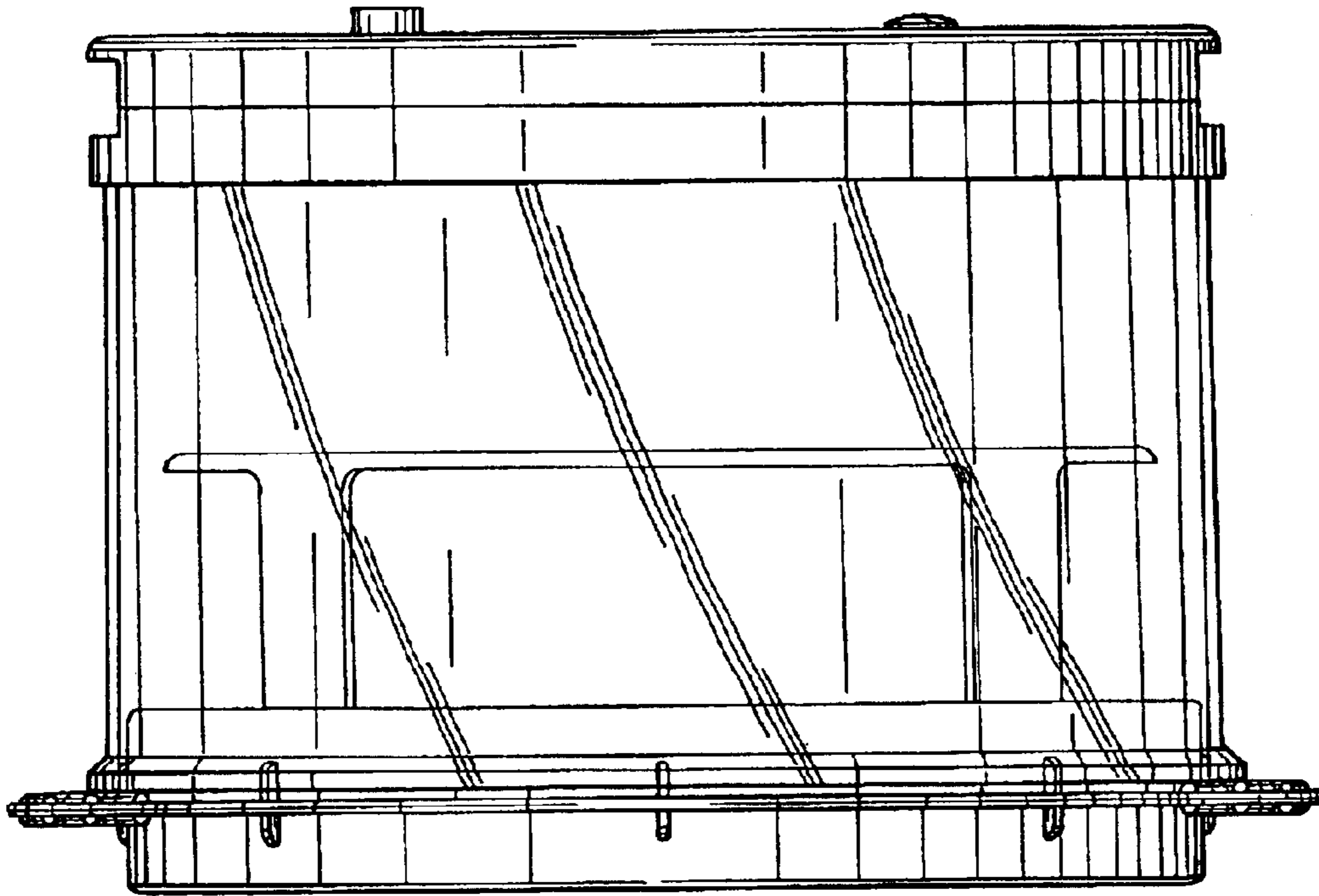




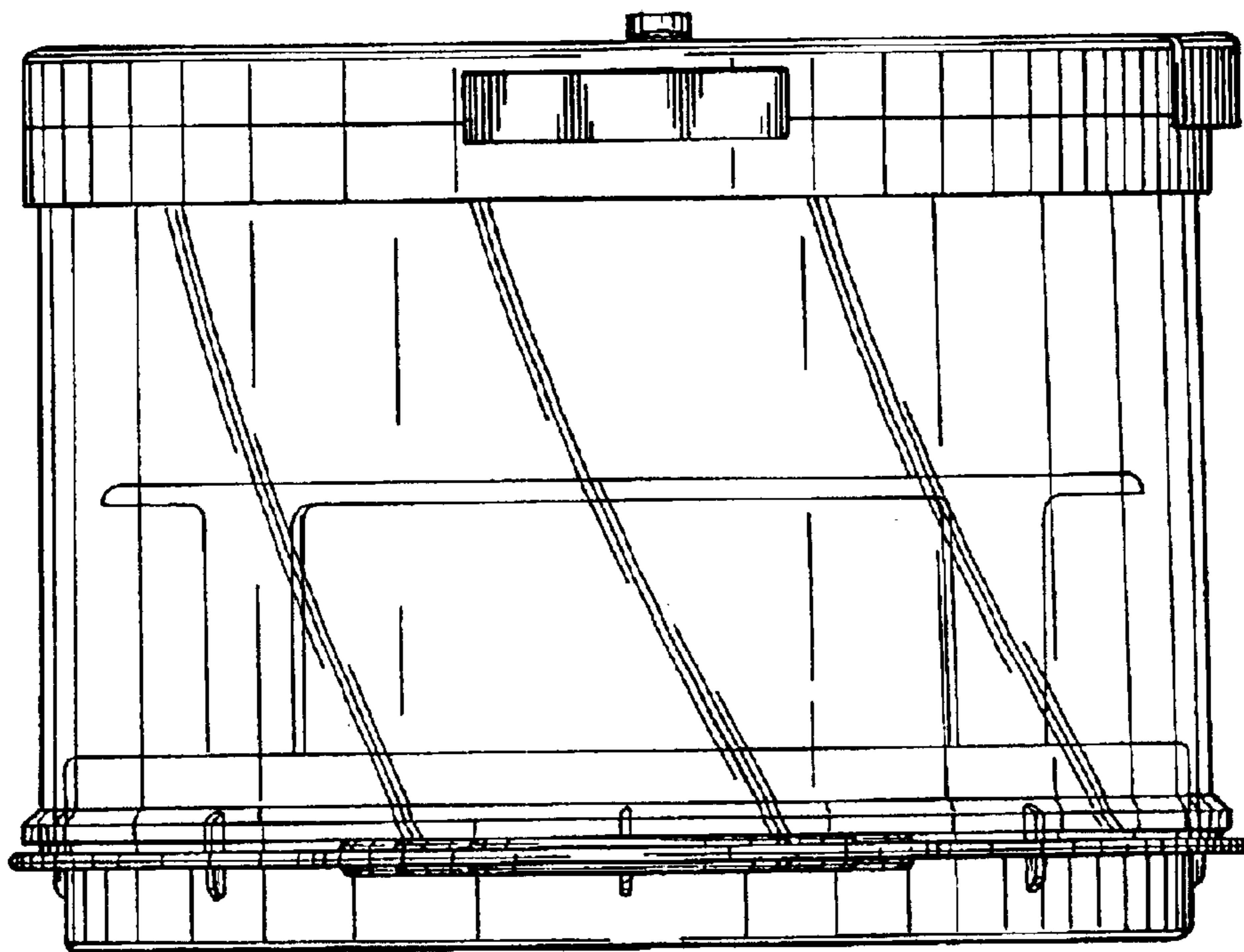
*Fig. 1*



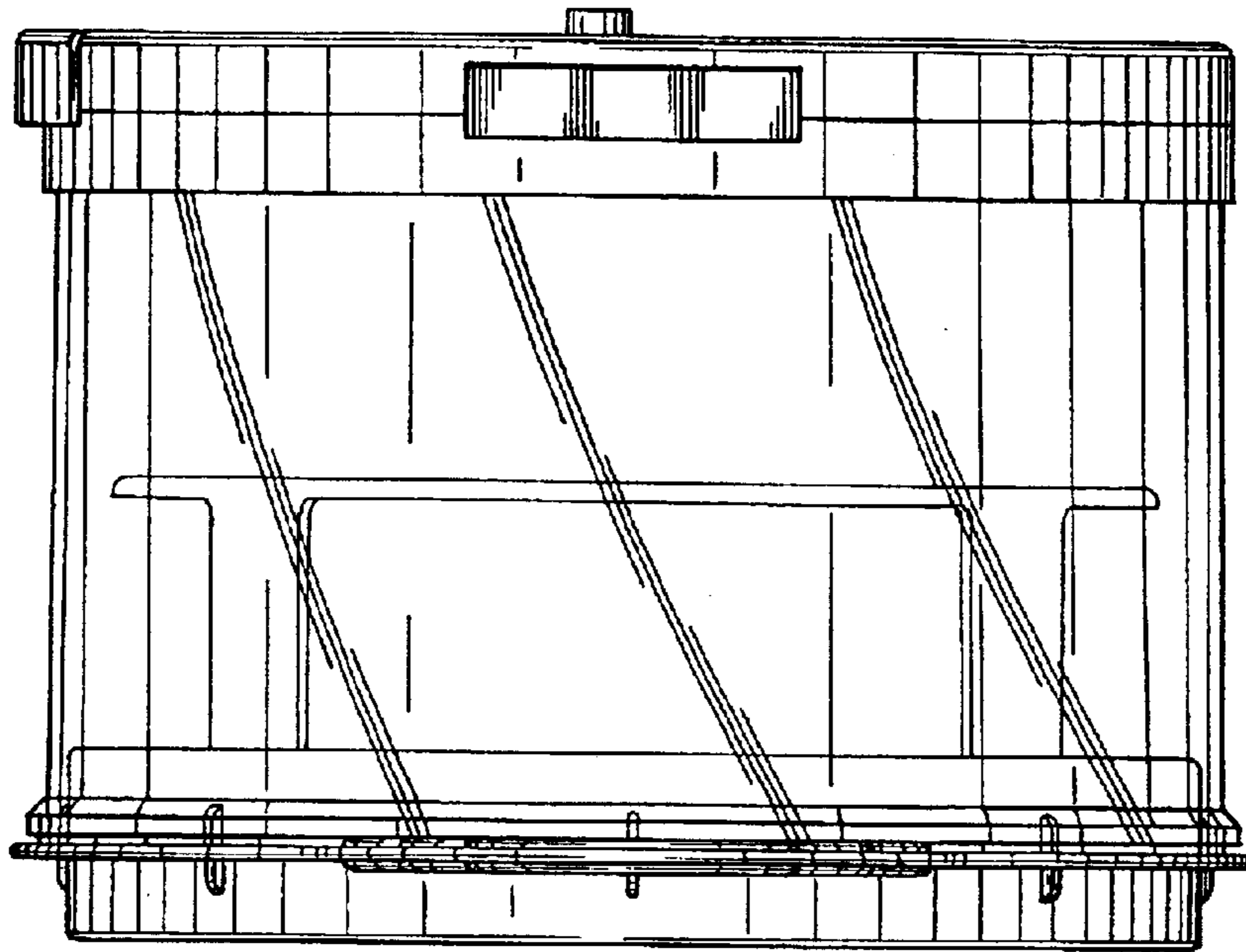
*Fig. 2*



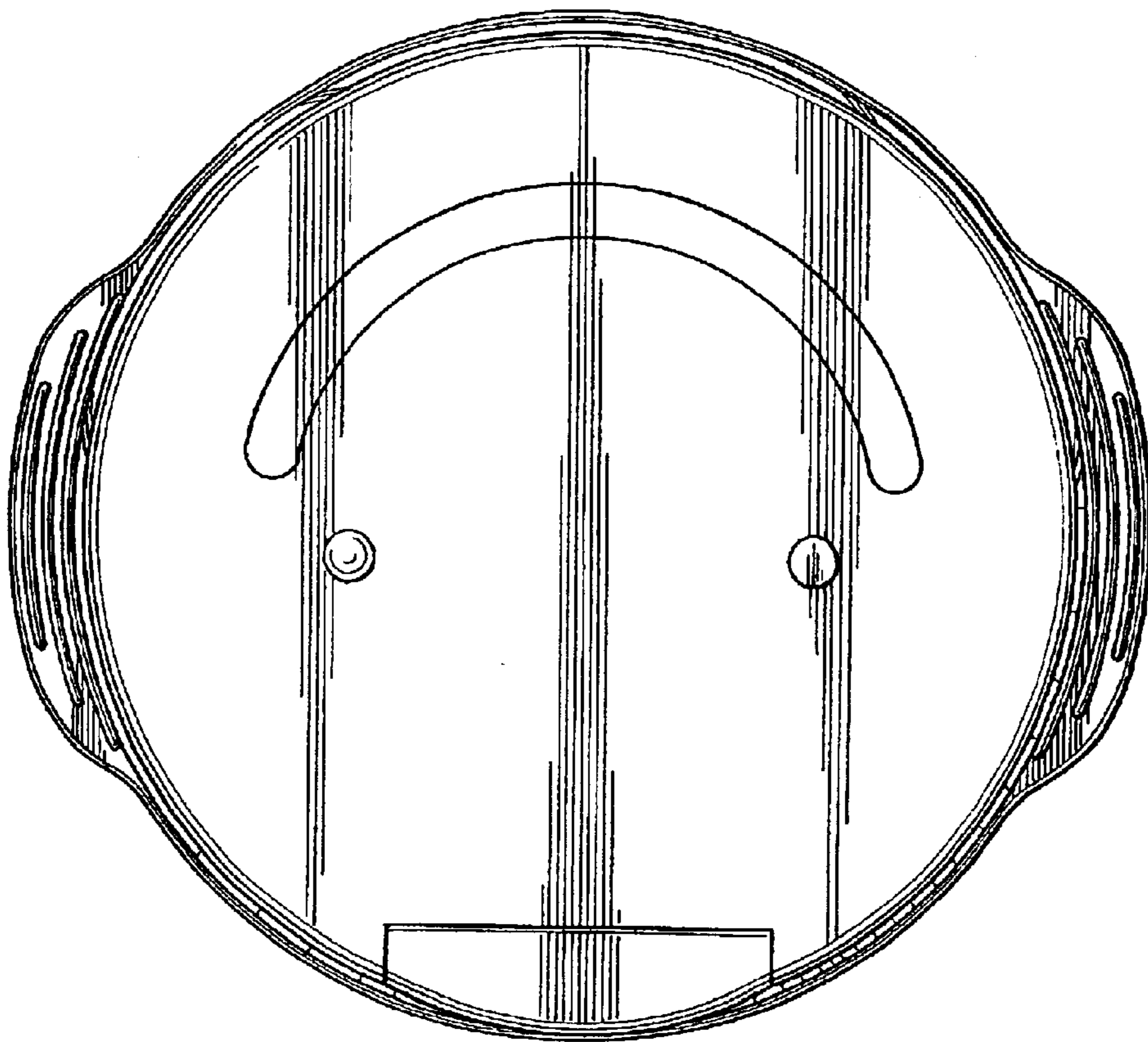
*Fig. 3*



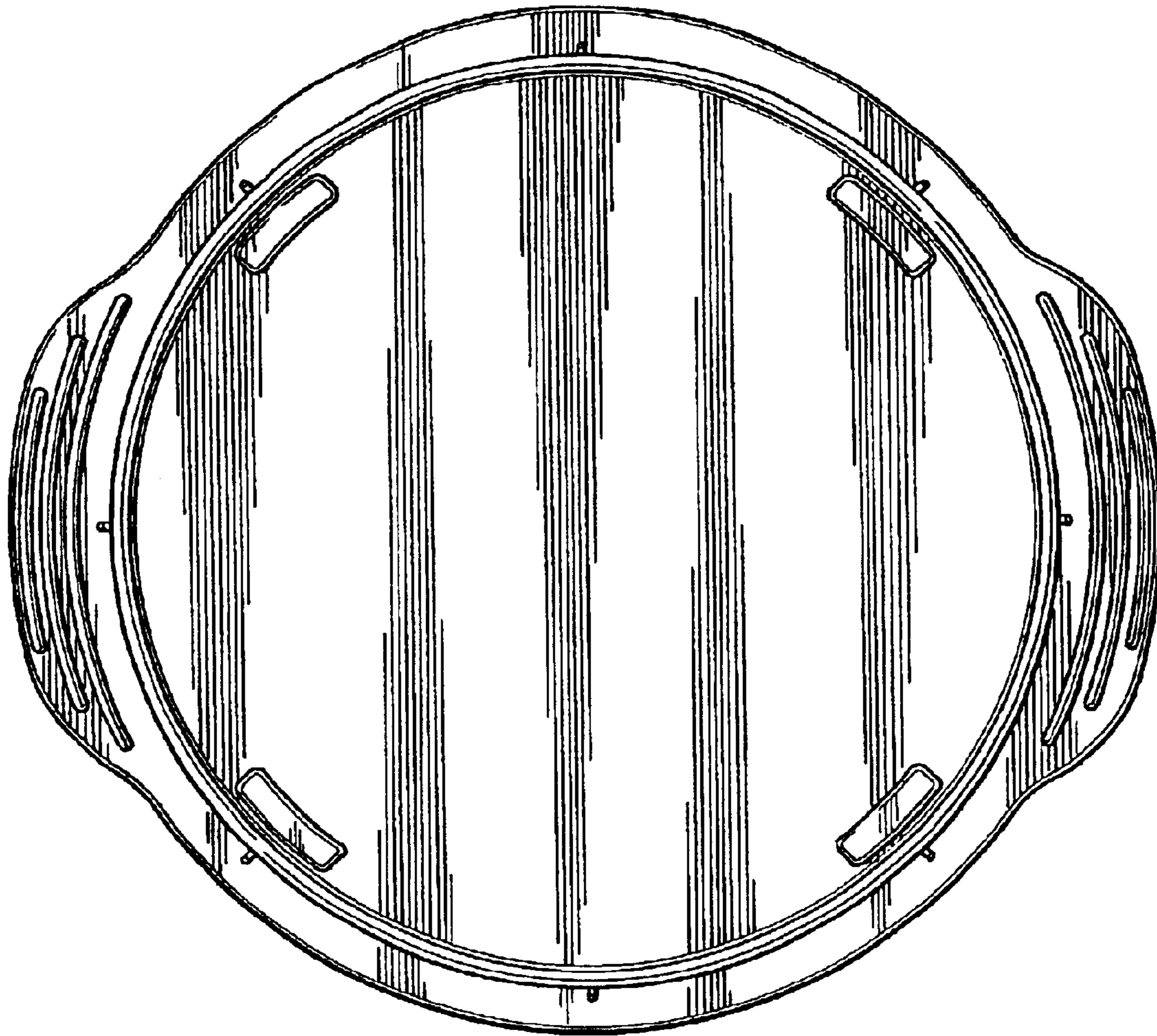
*Fig. 4*



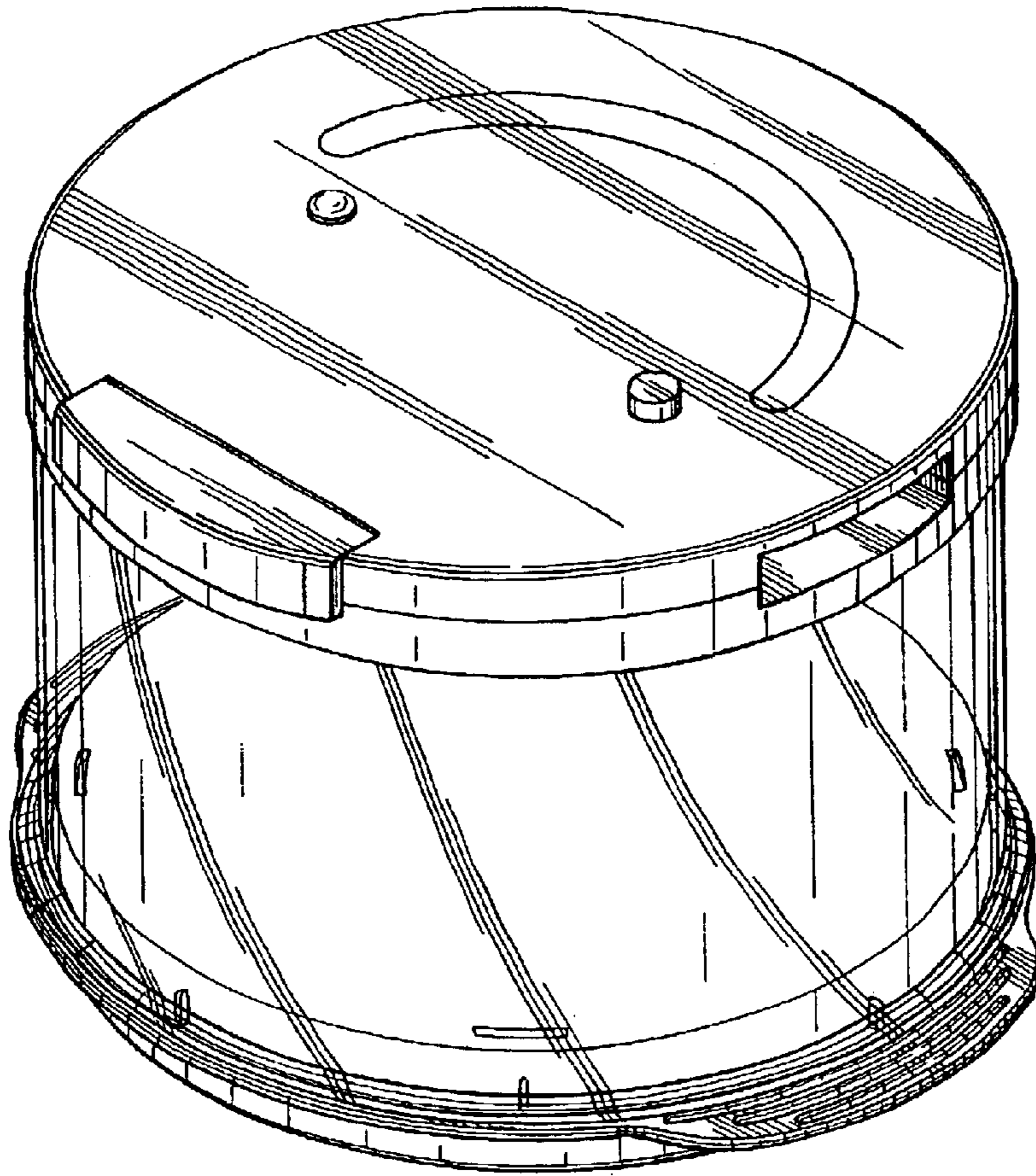
*Fig. 5*



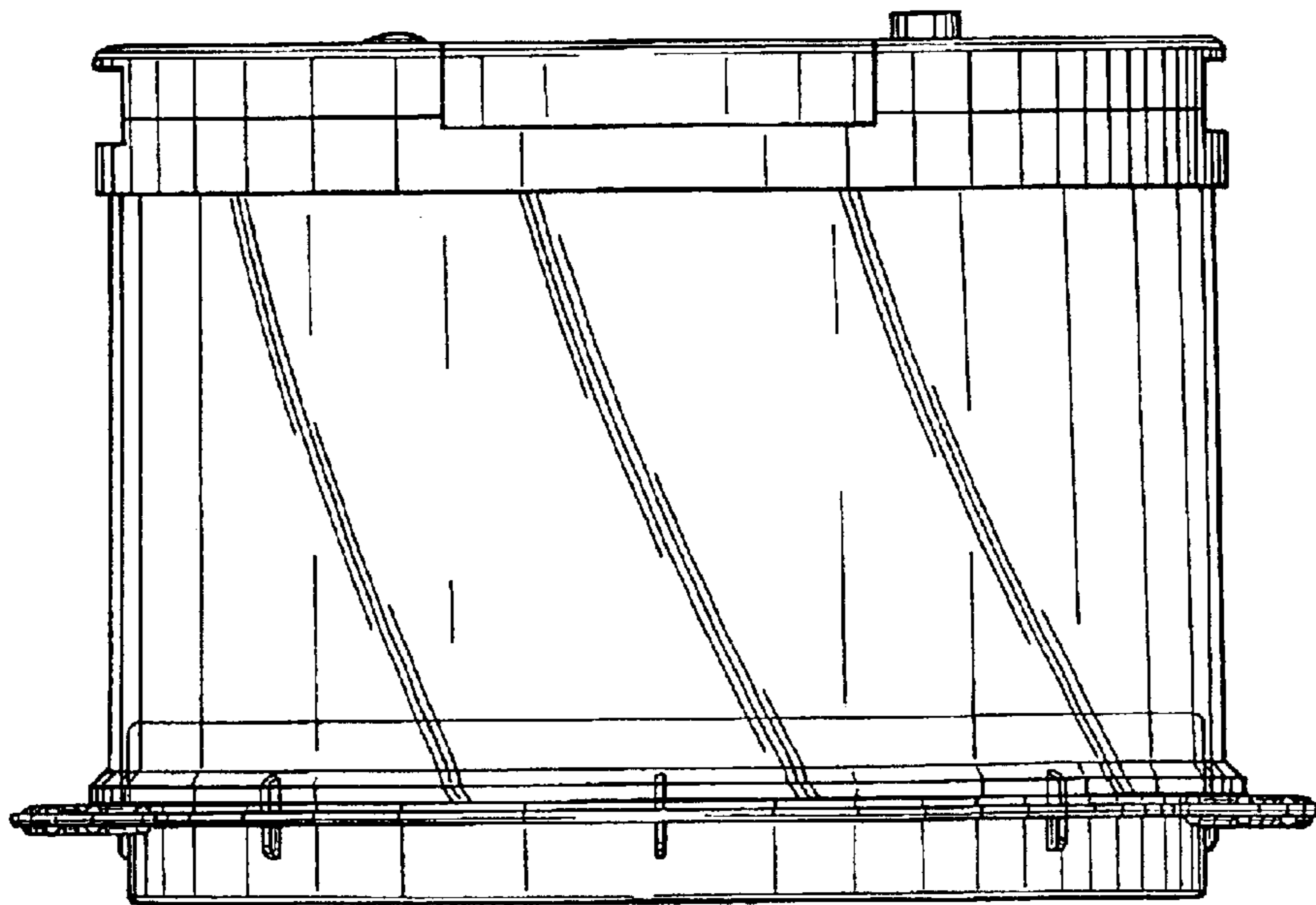
*Fig. 6*



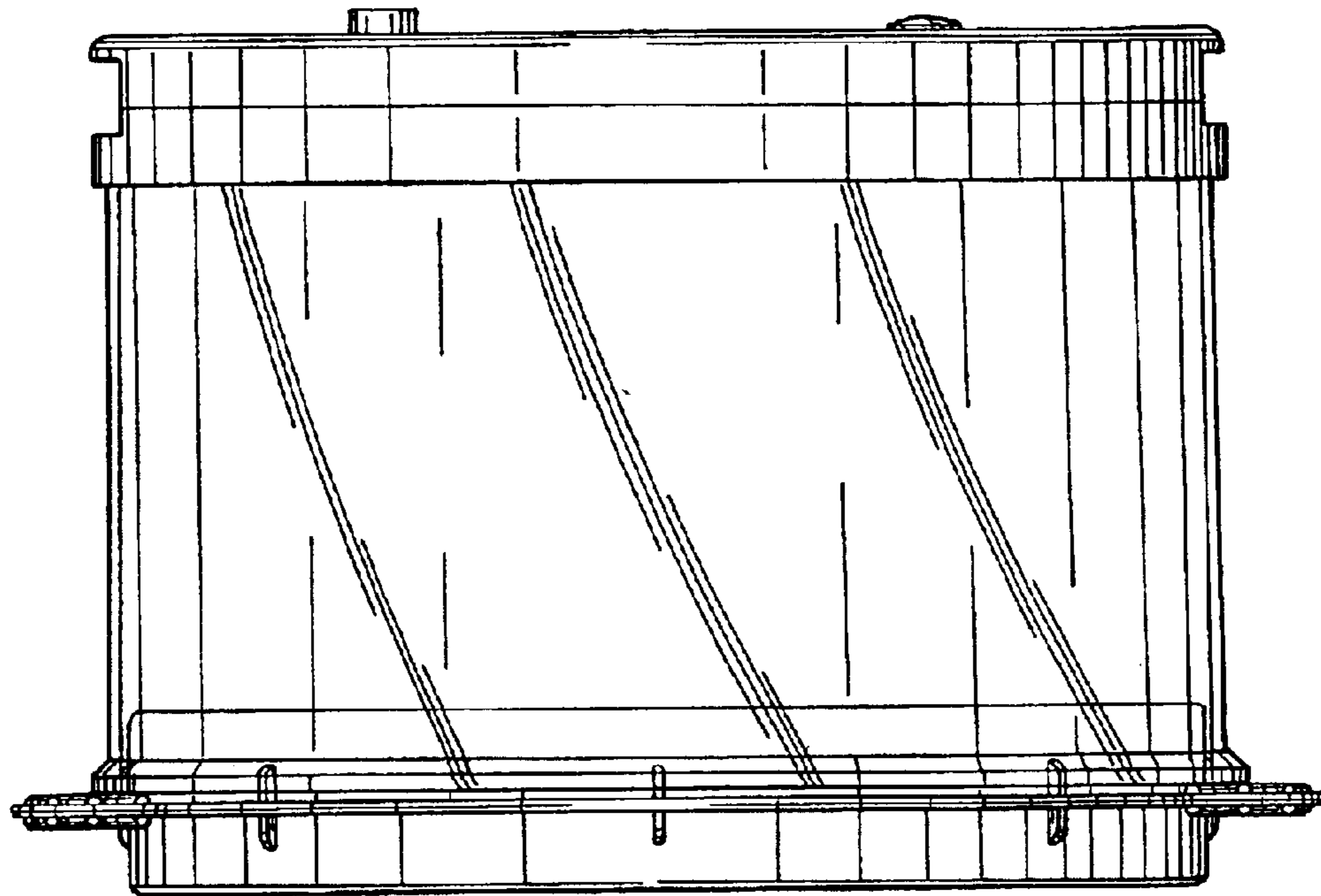
*Fig. 7*



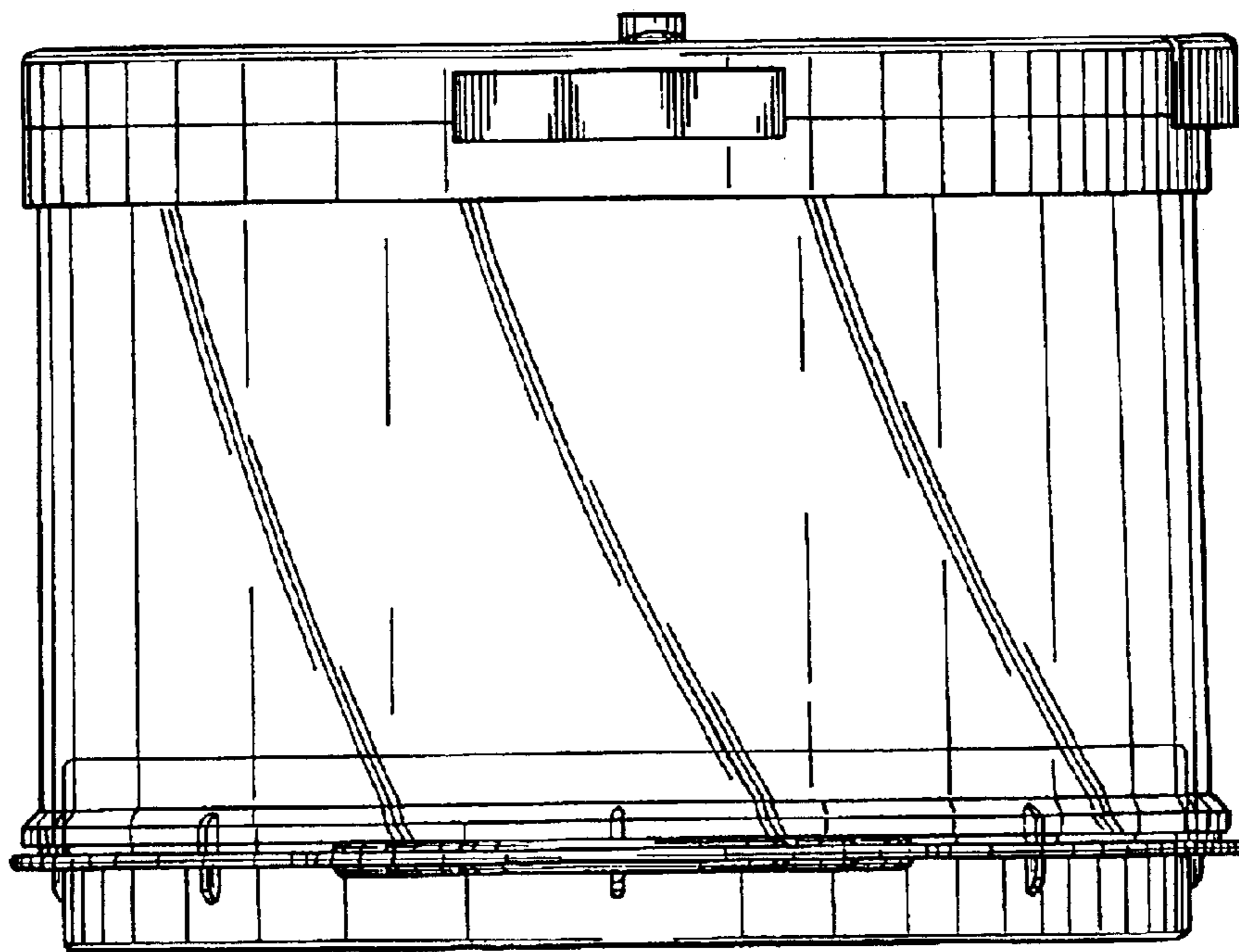
*Fig. 8*



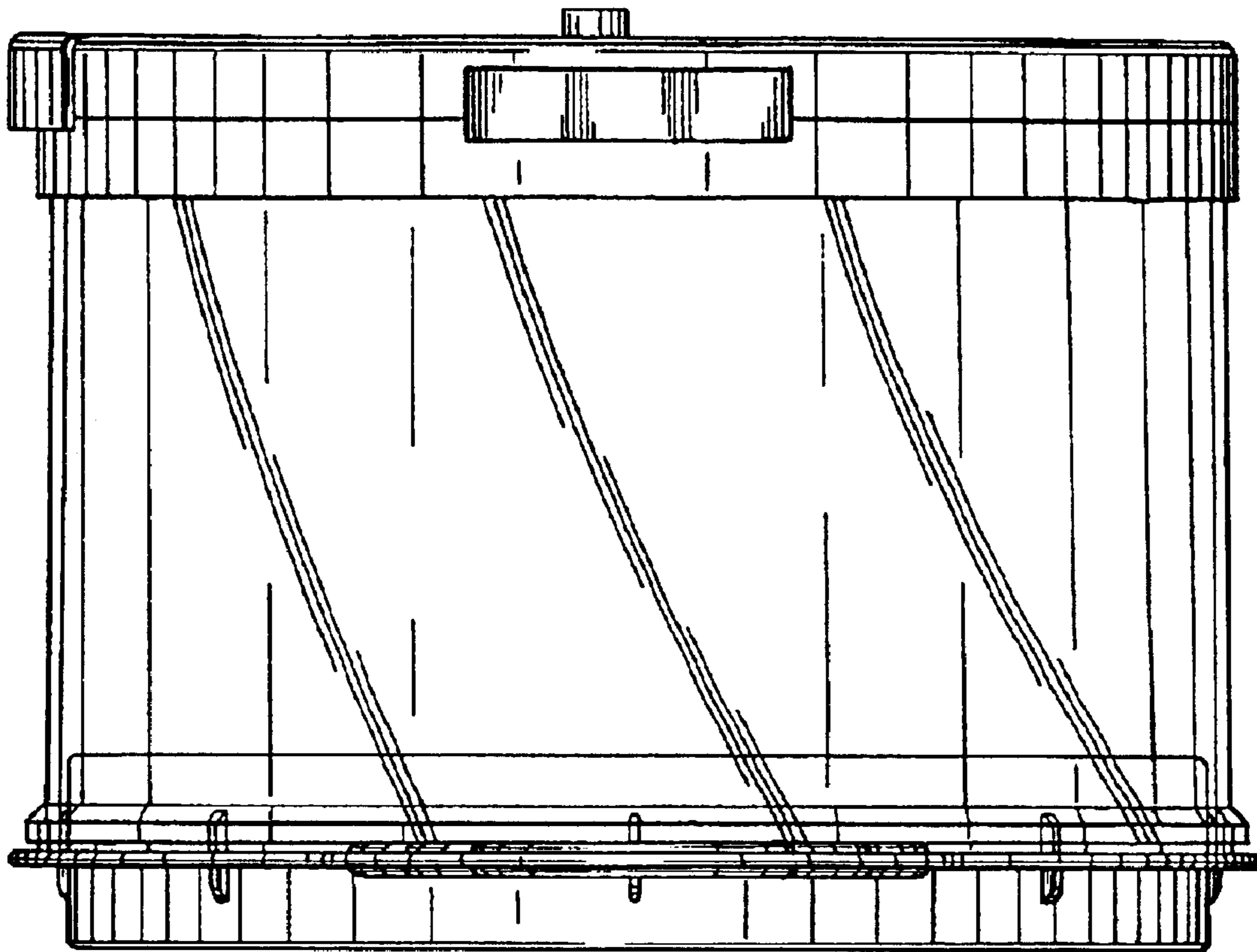
*Fig. 9*



*Fig. 10*



*Fig. 11*



*Fig. 12*