

US00D493673S1

(12) **United States Design Patent**  
**Moffett, III et al.**

(10) **Patent No.: US D493,673 S**

(45) **Date of Patent: \*\* Aug. 3, 2004**

(54) **SPHERICAL COOLER**

(76) Inventors: **Noah Moffett, III**, 1250 Dundale Ave.,  
Norfolk, VA (US) 23513; **Andrew**  
**Moore**, 2502 Rice St., Chesapeake, VA  
(US) 23324

(\*\*) Term: **14 Years**

(21) Appl. No.: **29/192,590**

(22) Filed: **Oct. 27, 2003**

(51) **LOC (7) Cl. .... 07-01**

(52) **U.S. Cl. .... D7/605**

(58) **Field of Search** ..... D7/605-608; 62/457.1-457.7,  
62/371, 372; 220/592.2, 592.03, 592.24,  
592.25, 915.1, 915.2; 280/30, 43, 43.1,  
43.24, 43.26, 43.34, 645, 651, 652

(56) **References Cited**

**U.S. PATENT DOCUMENTS**

4,320,856 A \* 3/1982 Stewart et al. .... 222/131  
5,259,215 A \* 11/1993 Rocca ..... 62/371

5,373,708 A \* 12/1994 Dumoulin, Jr. .... 62/457.7  
D415,658 S \* 10/1999 Frehse ..... D7/605  
D429,606 S \* 8/2000 Israel et al. .... D7/605

\* cited by examiner

*Primary Examiner*—Terry A. Wallace

(74) *Attorney, Agent, or Firm*—Joy L. Bryant

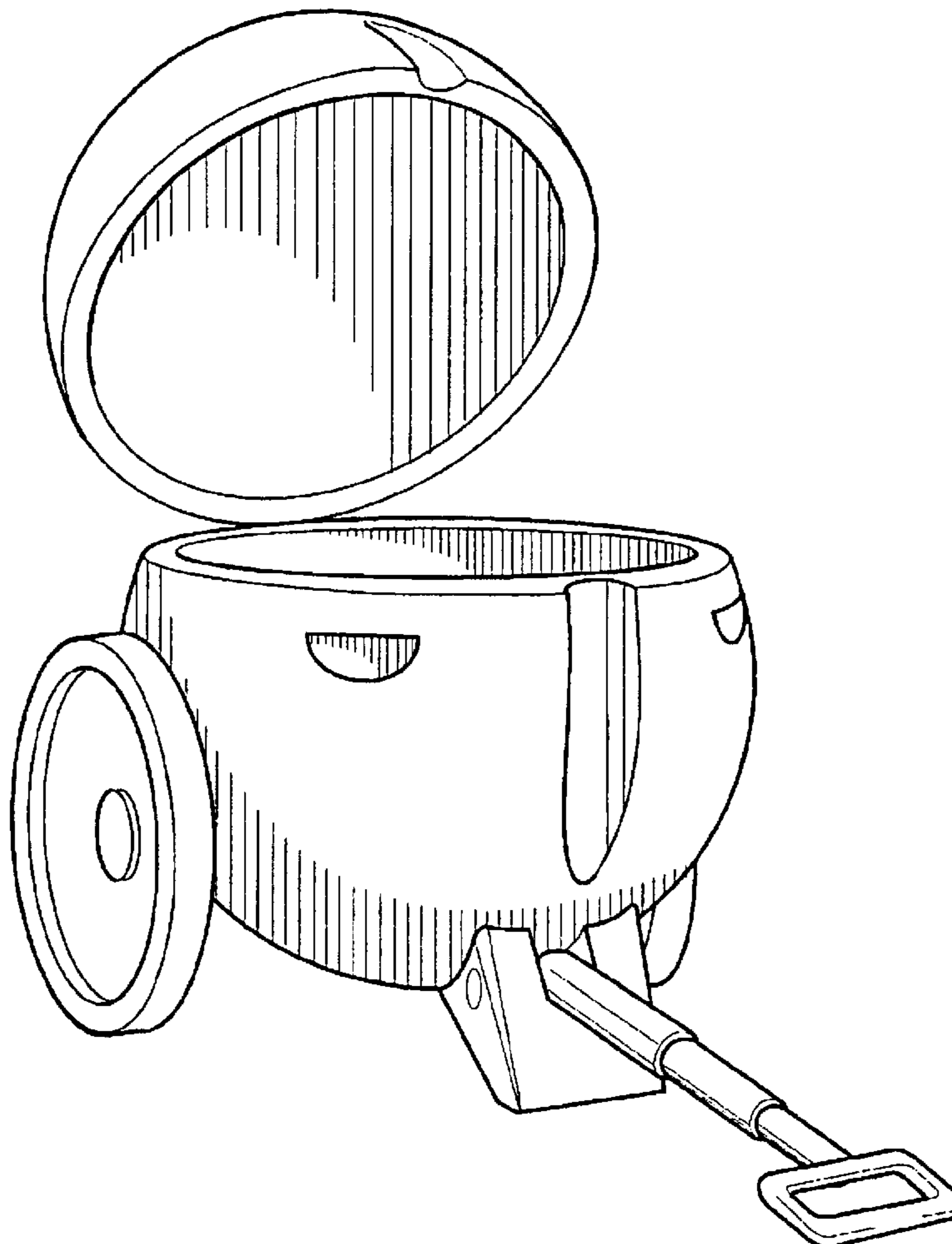
(57) **CLAIM**

I claim the ornamental design for a spherical cooler, as shown.

**DESCRIPTION**

FIG. 1 is a perspective view from the right front of a spherical cooler;  
FIG. 2 is a left side view thereof;  
FIG. 3 is a right side view thereof;  
FIG. 4 is a bottom view thereof;  
FIG. 5 is a top view thereof;  
FIG. 6 is a front view thereof; and,  
FIG. 7 is a back view thereof.

**1 Claim, 4 Drawing Sheets**



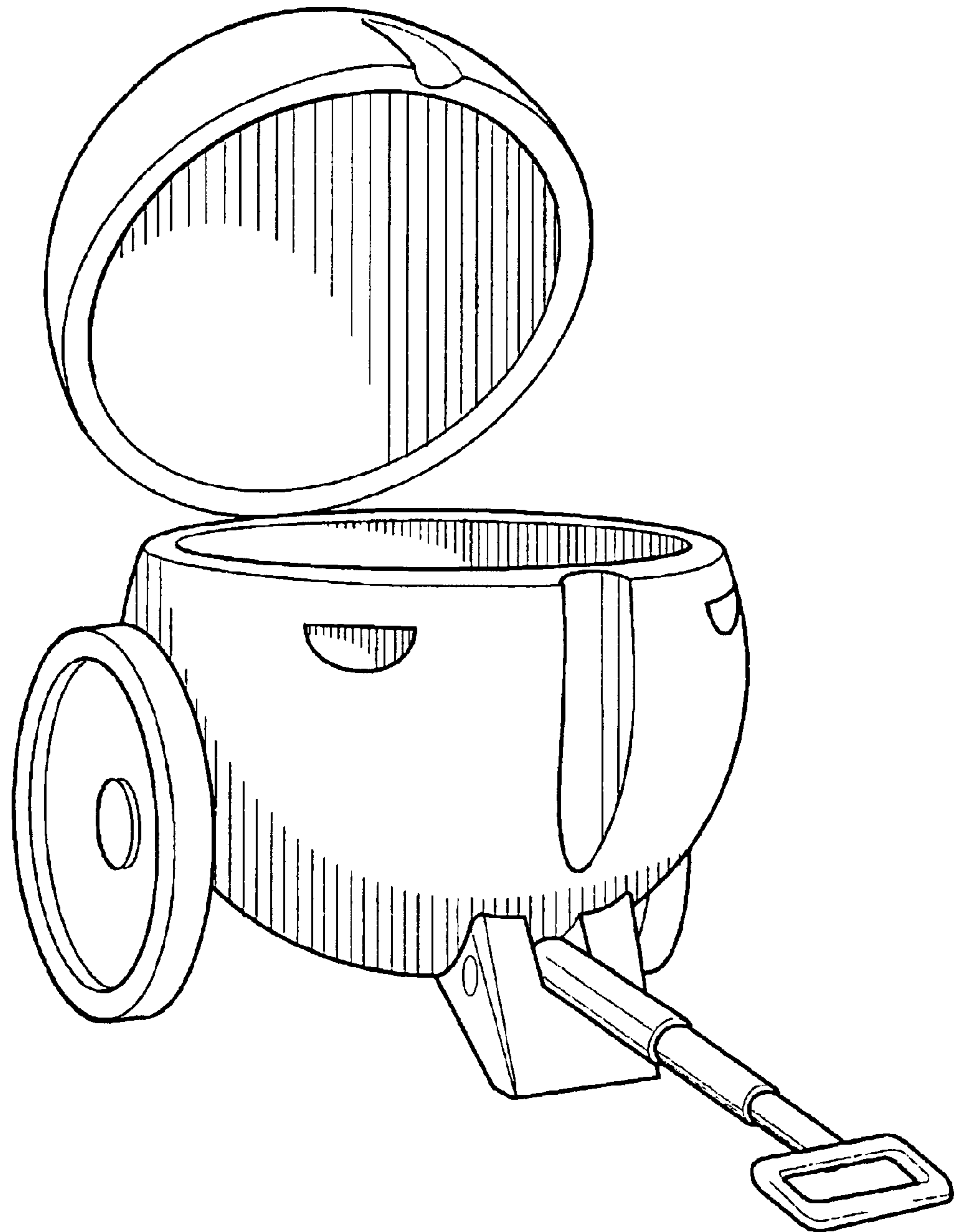


FIG. 1

FIG. 2

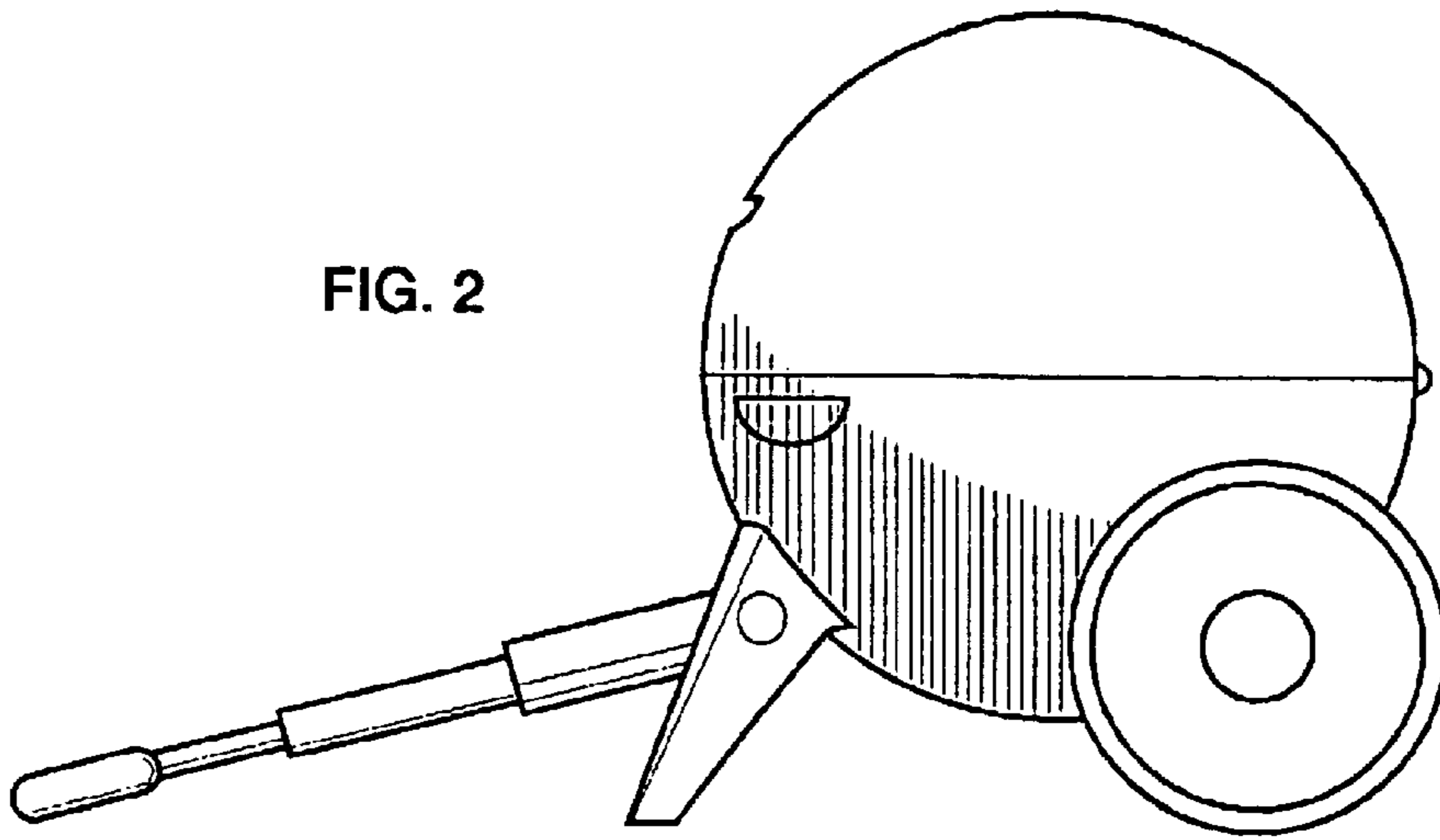
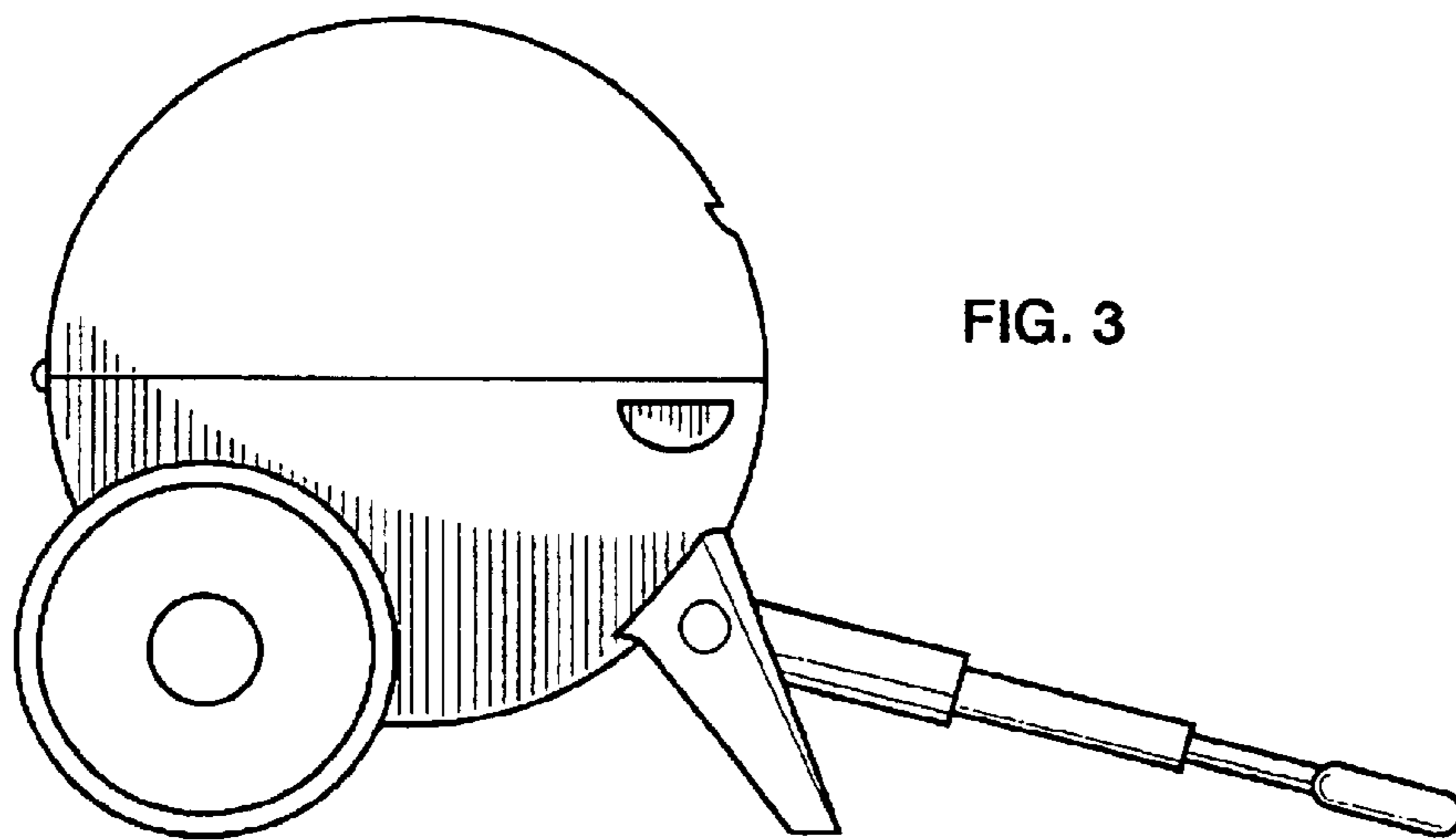


FIG. 3



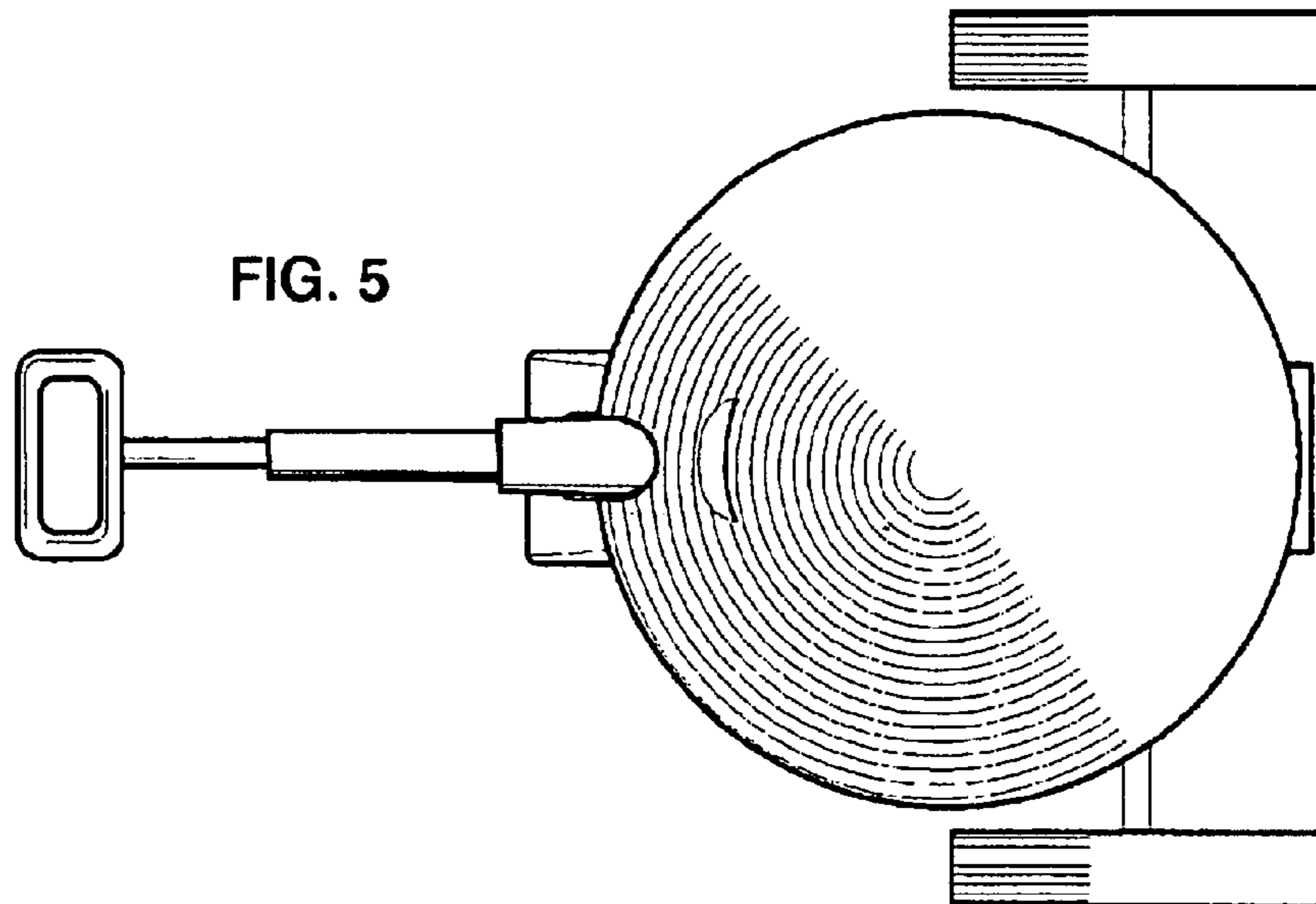
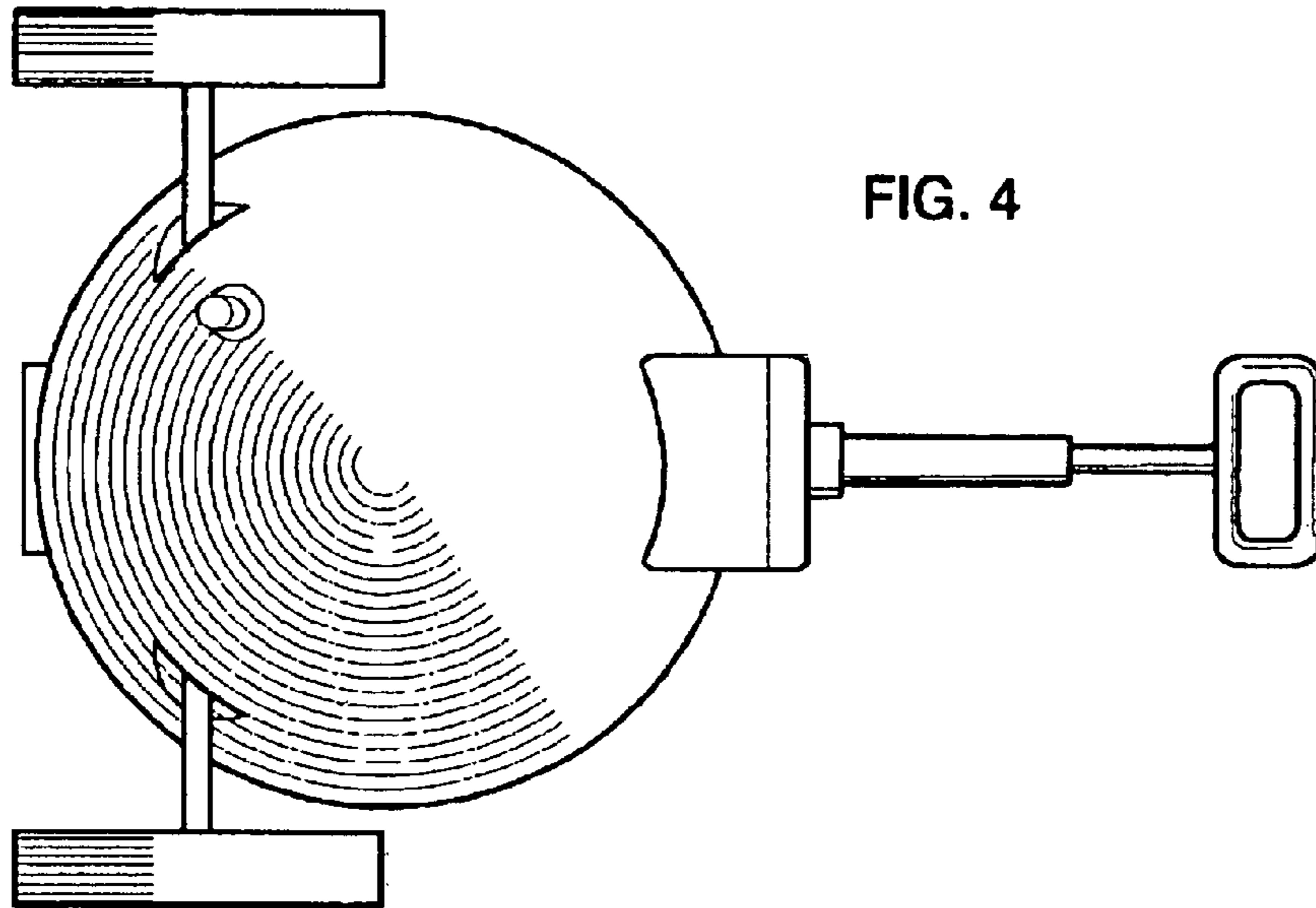


FIG. 6

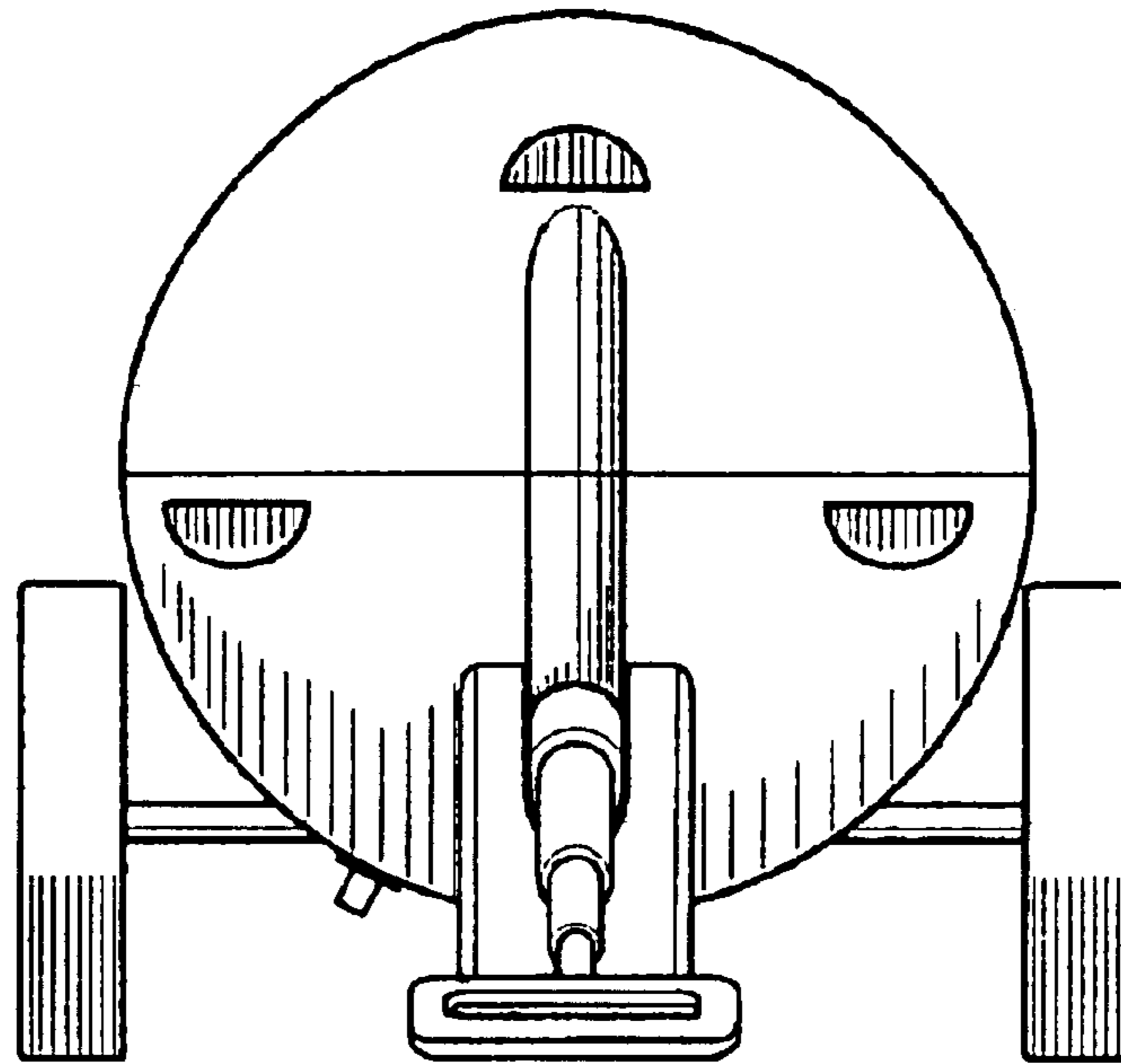


FIG. 7

