

US00D493672S1

(12) **United States Design Patent** (10) **Patent No.:** **US D493,672 S**  
**Jalet et al.** (45) **Date of Patent:** **\*\* Aug. 3, 2004**

(54) **SERVING BOWL**

(75) Inventors: **Vincent Jalet**, Brussels (BE); **Robert H. C. M. Daenen**, Aalst (BE); **Victor J. J. Cautereels**, Ranst (BE)

(73) Assignee: **Dart Industries Inc.**, Orlando, FL (US)

(\*\*) Term: **14 Years**

5,676,275 A \* 10/1997 Khattar ..... 220/575  
D394,513 S \* 5/1998 Davis ..... D7/584  
D407,270 S 3/1999 Wilson ..... D7/529  
5,913,445 A 6/1999 Fujii et al.  
6,010,027 A 1/2000 Fujii et al.  
D422,831 S 5/2001 Jacobs ..... D7/584  
D452,417 S \* 12/2001 Whitmore et al. .... D7/543  
6,401,955 B1 6/2002 Yang ..... 220/23.87  
D468,590 S \* 1/2003 Jalet et al. .... D7/586

**FOREIGN PATENT DOCUMENTS**

GB 1059332 \* 11/1989  
GB 2047772 \* 12/1999  
GB 3005665 \* 8/2001  
GB 2104412 \* 9/2001

**OTHER PUBLICATIONS**

Rubbermaid Professional Food Storage—2 pages.  
Guzzini 2001—5 pages.

\* cited by examiner

*Primary Examiner*—Charles A. Rademaker  
(74) *Attorney, Agent, or Firm*—John A. Doninger

(57) **CLAIM**

The ornamental design for a serving bowl, as shown and described.

**DESCRIPTION**

FIG. 1 is a perspective view of a serving bowl showing our new design;  
FIG. 2 is a front elevation view thereof;  
FIG. 3 is a rear elevation view thereof;  
FIG. 4 is a right side elevation view thereof;  
FIG. 5 is a left side elevation view thereof;  
FIG. 6 is a top plan view thereof; and,  
FIG. 7 is a bottom plan view thereof.

**1 Claim, 3 Drawing Sheets**

(21) Appl. No.: **29/175,226**

(22) Filed: **Jan. 31, 2003**

(51) **LOC (7) Cl.** ..... **07-01**

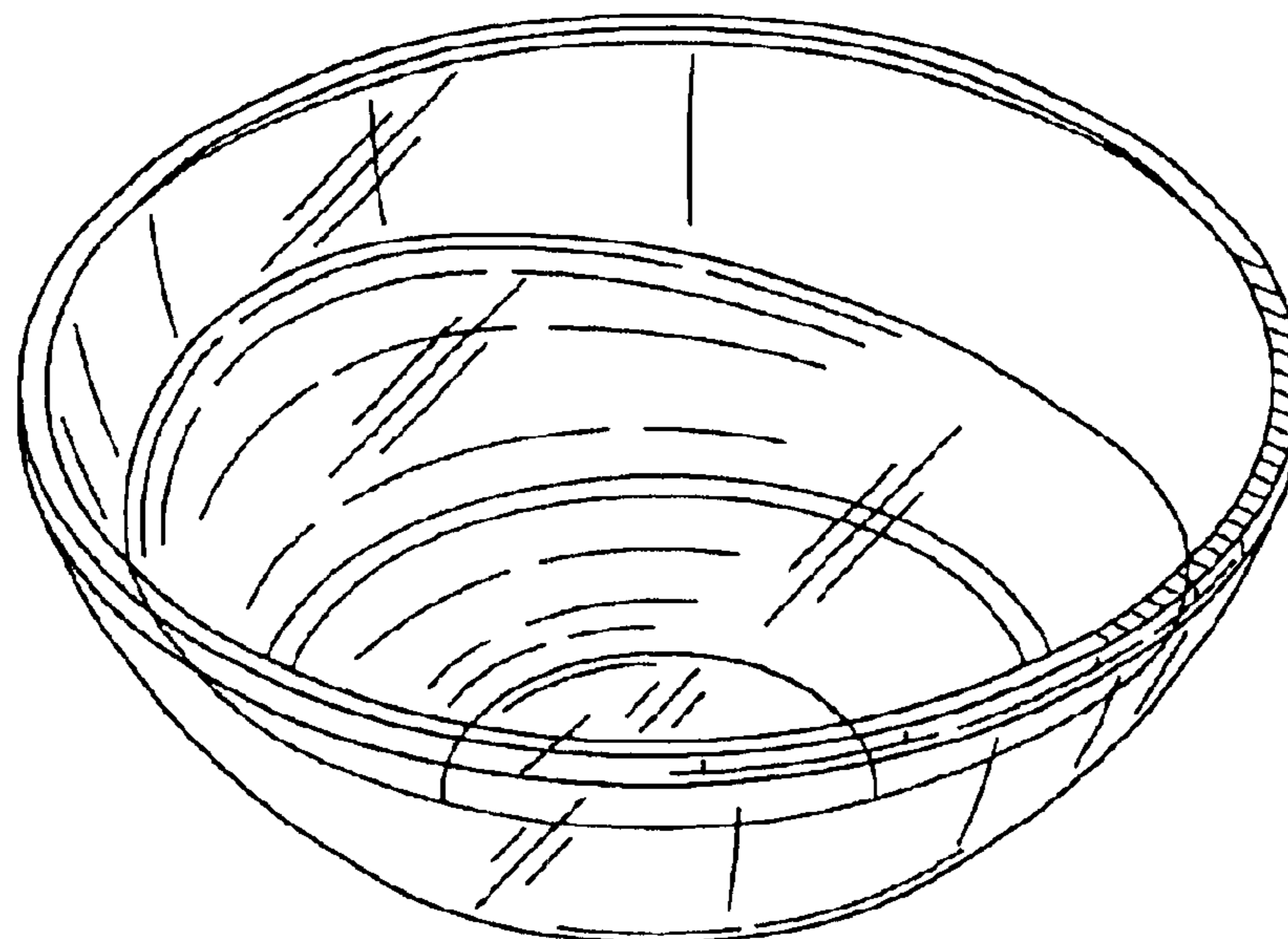
(52) **U.S. Cl.** ..... **D7/586**

(58) **Field of Search** ..... D7/584, 585, 586,  
D7/543, 545, 547, 500; 220/574, 575, 592.2,  
23.87, 659; 209/447

(56) **References Cited**

**U.S. PATENT DOCUMENTS**

D168,283 S 12/1952 Adams  
2,655,016 A 10/1953 Hudson  
2,771,755 A 11/1956 Costanzo  
D231,303 S 4/1974 Croyle et al.  
3,855,119 A 12/1974 Stephenson  
D242,200 S 11/1976 Ashton  
D283,096 S 3/1986 Uhrik  
D284,438 S 7/1986 Levien  
4,809,868 A 3/1989 Pomroy  
4,892,213 A 1/1990 Mason  
D309,690 S 8/1990 Carlson  
D324,974 S 3/1992 Unger  
5,172,826 A 12/1992 Celaya  
D346,308 S 4/1994 Cautereels et al.  
D348,589 S 7/1994 Cautereels et al.  
5,341,953 A 8/1994 Forester  
D353,518 S 12/1994 Cautereels et al.  
5,423,451 A 6/1995 Snyder



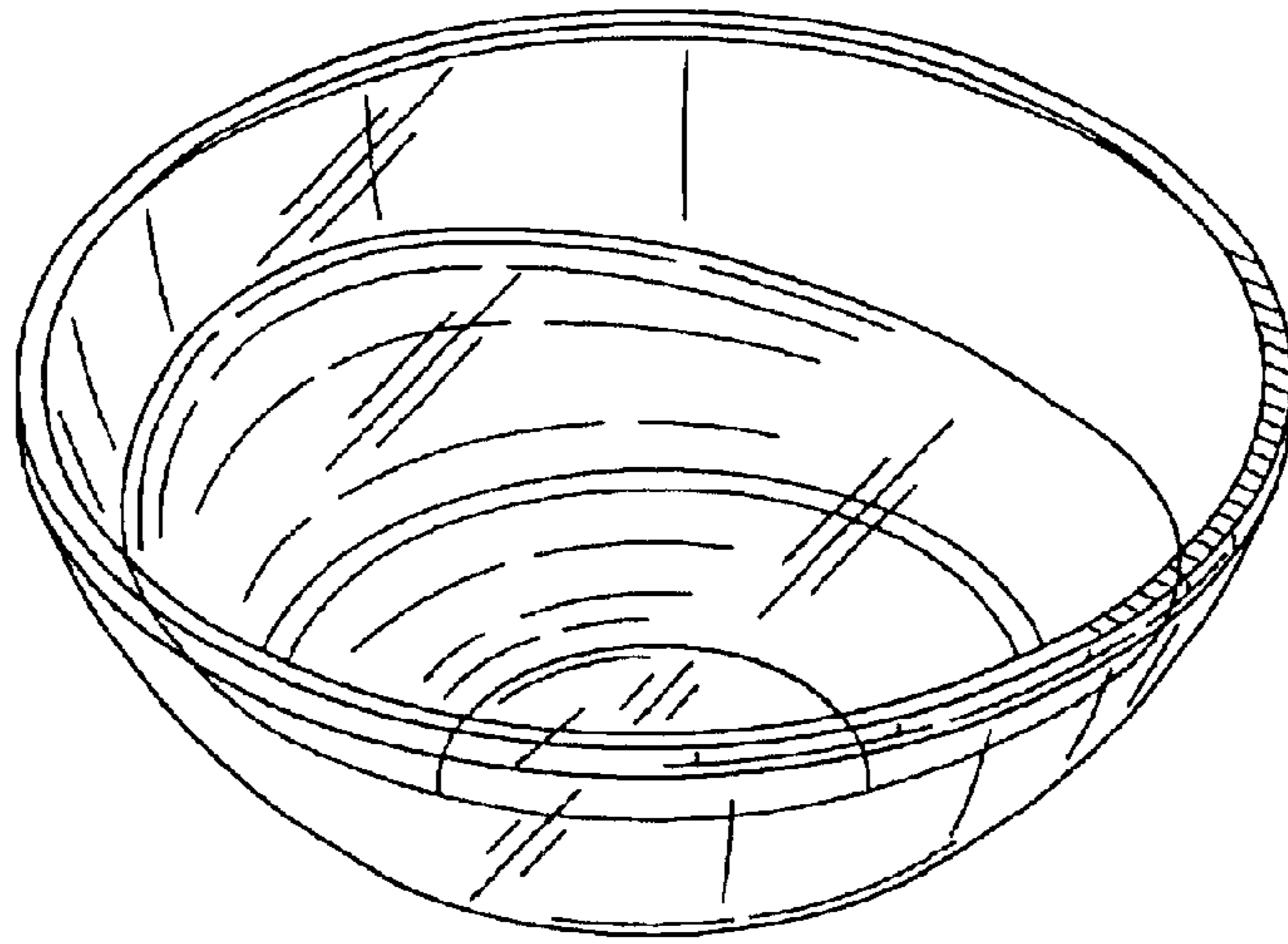


FIG. 1

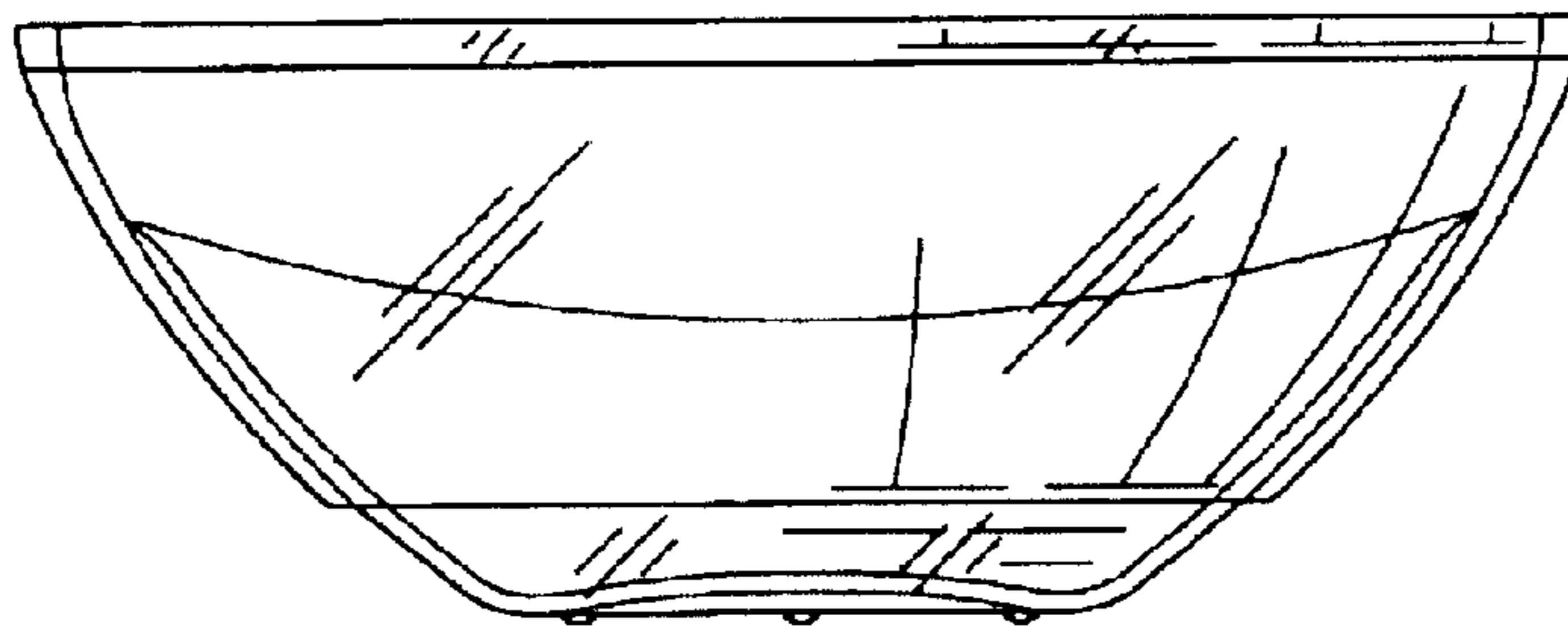


FIG. 2

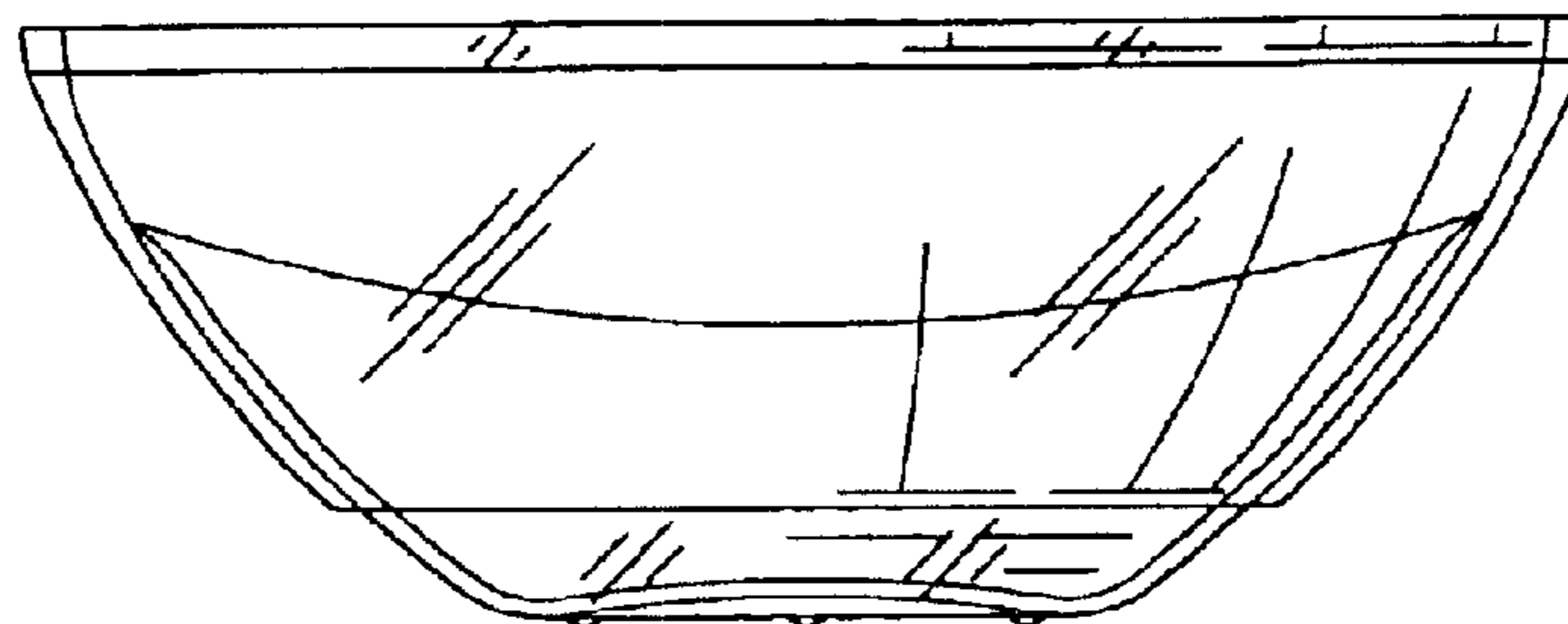
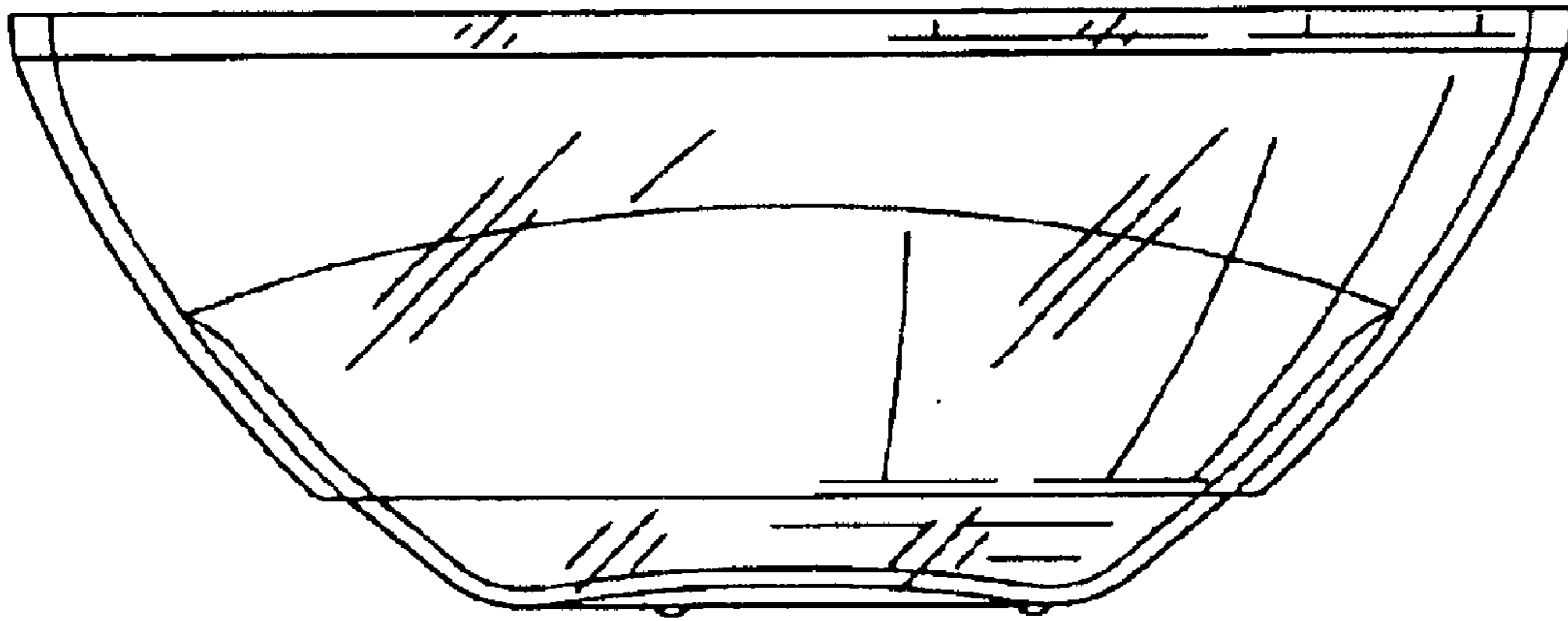
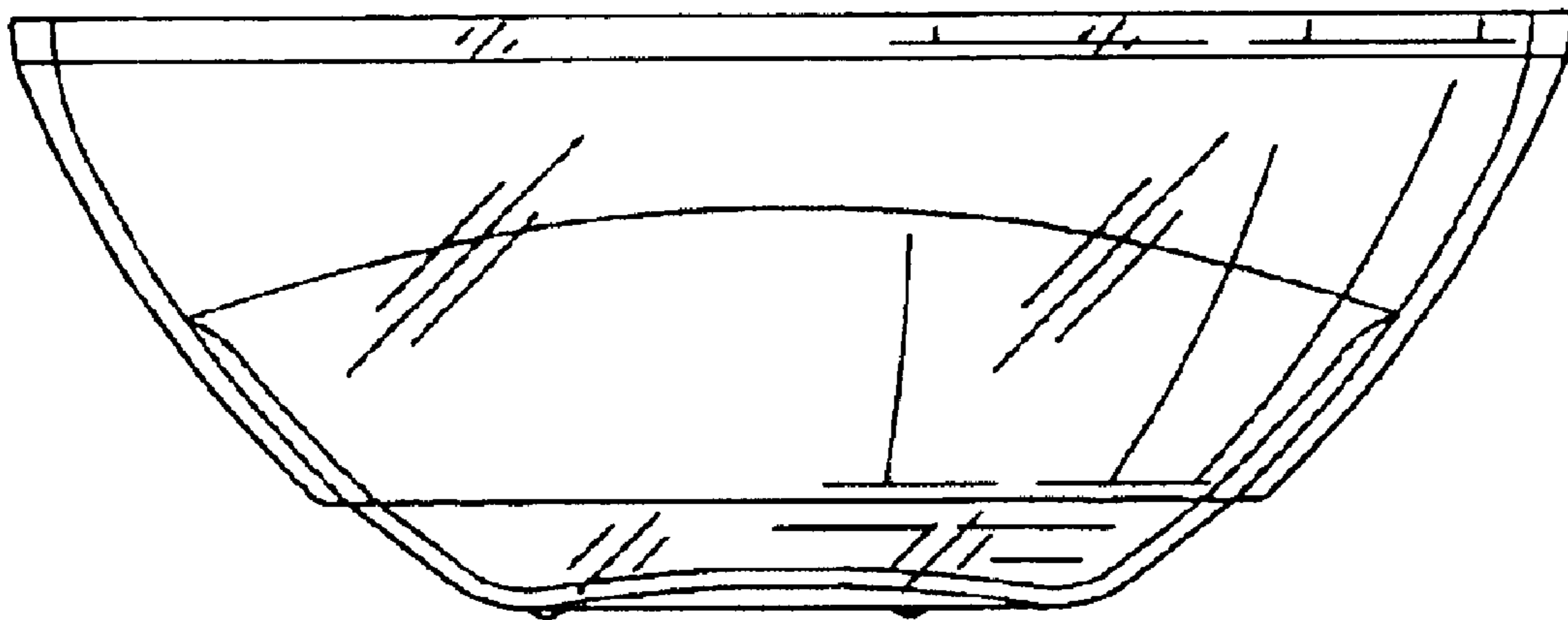


FIG. 3



*FIG. 4*



*FIG. 5*

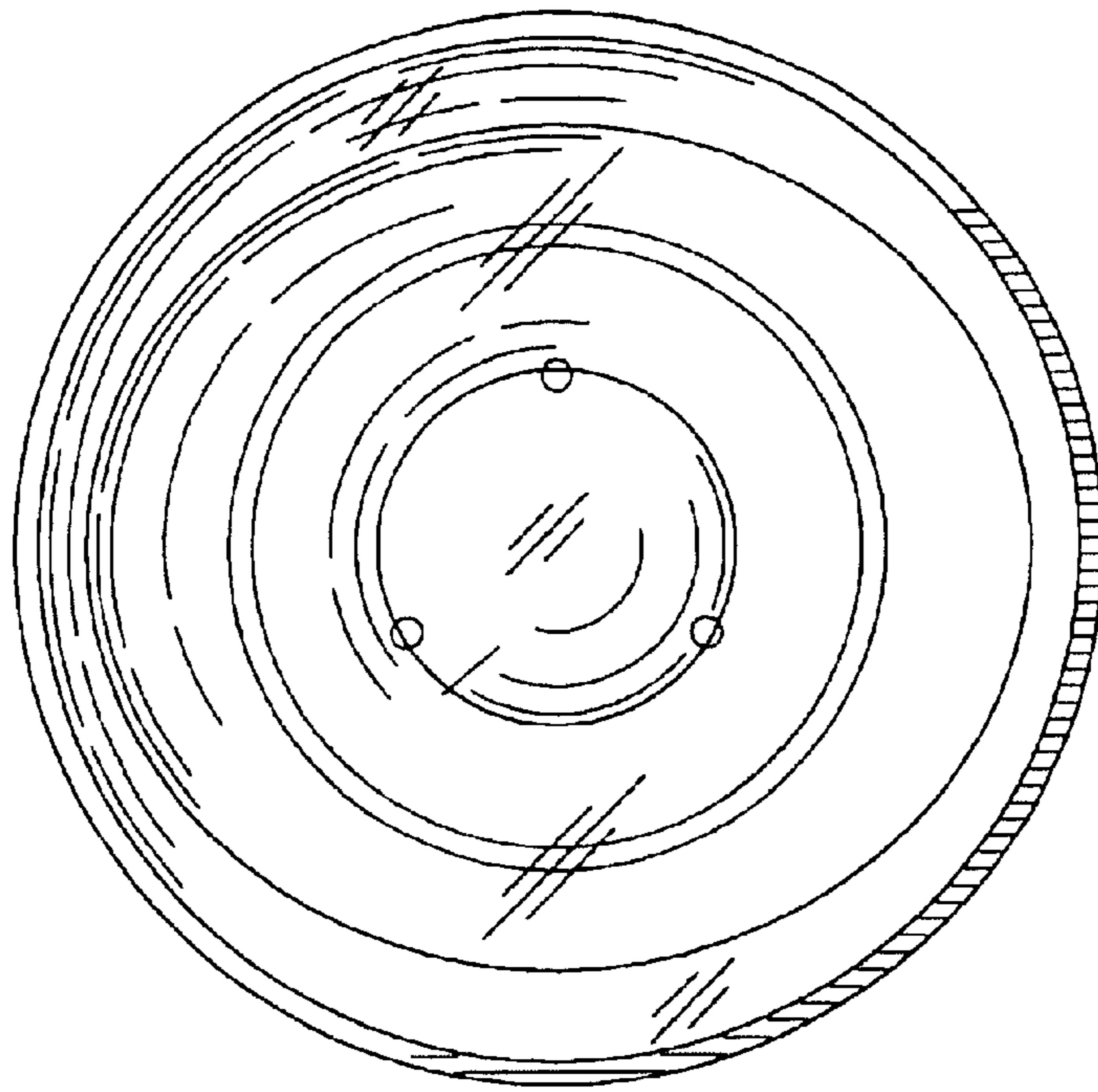


FIG. 6

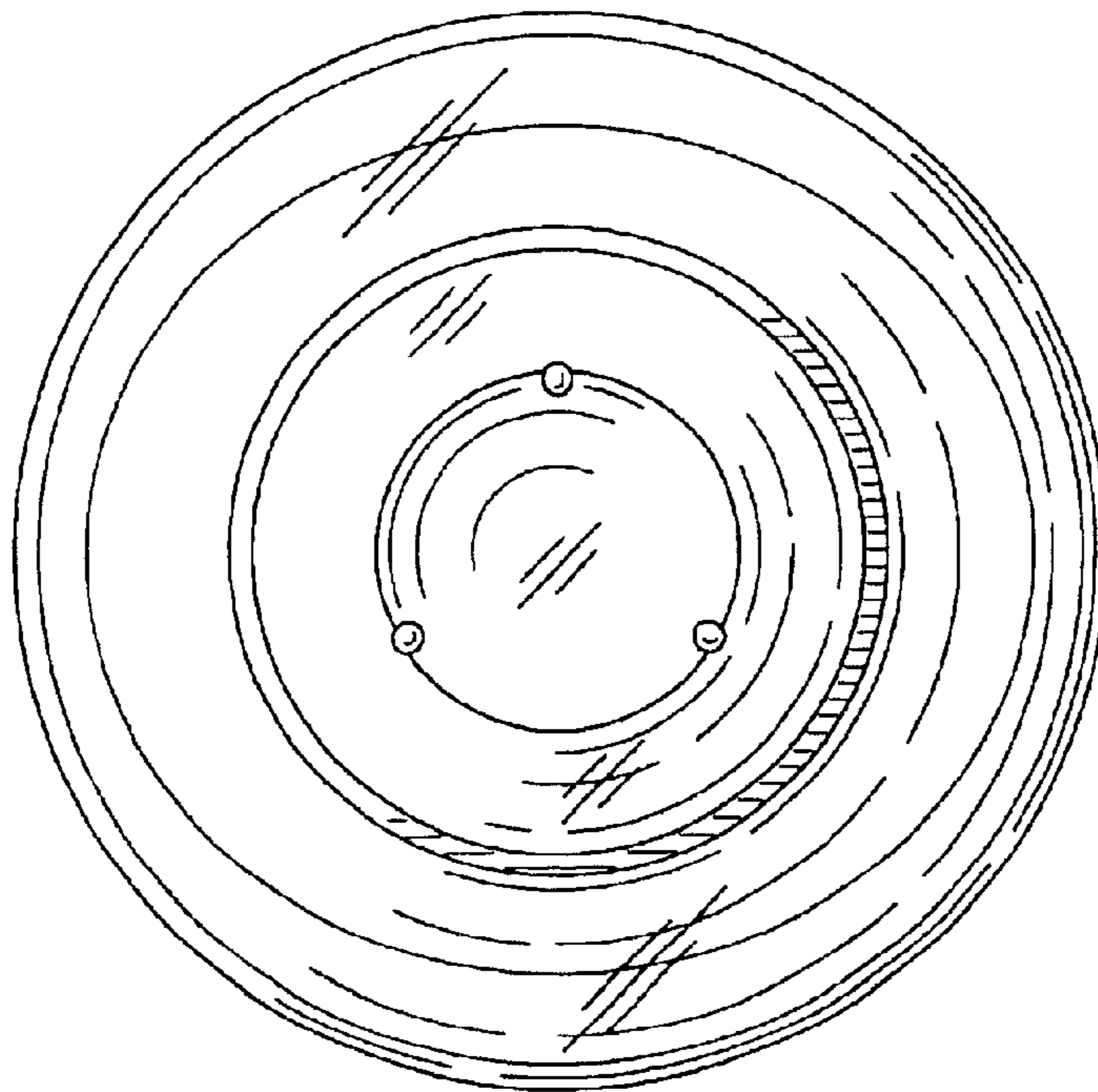


FIG. 7