

US00D493671S1

(12) **United States Design Patent** (10) **Patent No.:** **US D493,671 S**  
**Lebowitz** (45) **Date of Patent:** **\*\* Aug. 3, 2004**

(54) **MIXING BOWL**

(75) Inventor: **Samuel Lebowitz**, Shelter Island, NY (US)

(73) Assignee: **Wilton Industries, Inc.**, Woodridge, IL (US)

(\*\*) Term: **14 Years**

(21) Appl. No.: **29/173,372**

(22) Filed: **Dec. 27, 2002**

(51) **LOC (7) Cl.** ..... **07-01**

(52) **U.S. Cl.** ..... **D7/583**

(58) **Field of Search** ..... D7/584, 585, 586, D7/543, 545, 547, 500; 220/574, 575, 592.2, 23.87, 659; 209/447

(56) **References Cited**

**U.S. PATENT DOCUMENTS**

D74,295 S	1/1928	Burian	
2,170,311 A	* 8/1939	Smith	220/575
D167,166 S	7/1952	Rodier	
D167,678 S	9/1952	Denhof	
D170,735 S	* 10/1953	Zeisel	D7/543
D170,788 S	* 11/1953	Zeisel	D7/586
D180,329 S	5/1957	Highberger	
2,793,788 A	5/1957	Lysne	
D236,409 S	* 8/1975	Cyren	D7/319
D259,011 S	4/1981	Daenen	
D270,323 S	8/1983	Powers	
5,169,023 A	12/1992	Heiberg et al.	
5,203,836 A	4/1993	Brazis et al.	
D342,642 S	12/1993	Brazis et al.	
5,392,948 A	2/1995	McEntee	

5,419,454 A	5/1995	Stowell et al.	
5,423,452 A	6/1995	Tardif	
D373,932 S	9/1996	Onneweer	
5,626,256 A	5/1997	Onneweer	
D415,657 S	10/1999	Cornelissen	
D442,437 S	5/2001	Wright	
D477,186 S	* 7/2003	de Groote et al.	D7/543

**FOREIGN PATENT DOCUMENTS**

GB	2086367	* 11/1999
GB	2103988	* 9/2001
GB	3005893	* 10/2002

**OTHER PUBLICATIONS**

Tip & Mix Bowls, Industrial-Design, Jul./Aug., 1987, p. 97.

\* cited by examiner

*Primary Examiner*—Charles A. Rademaker  
(74) *Attorney, Agent, or Firm*—Piper Rudnick LLP

(57) **CLAIM**

The ornamental design for a mixing bowl, as shown and described.

**DESCRIPTION**

FIG. 1 is a front perspective view of a mixing bowl showing my new design;  
FIG. 2 is a side elevation view of the mixing bowl; the opposite of which is an identical mirror image;  
FIG. 3 is a top plan view of the mixing bowl;  
FIG. 4 is a front elevational view of the mixing bowl;  
FIG. 5 is a bottom plan view of the mixing bowl; and,  
FIG. 6 is a cross sectional view of the mixing bowl taken along line 6—6 of FIG. 4.

**1 Claim, 3 Drawing Sheets**

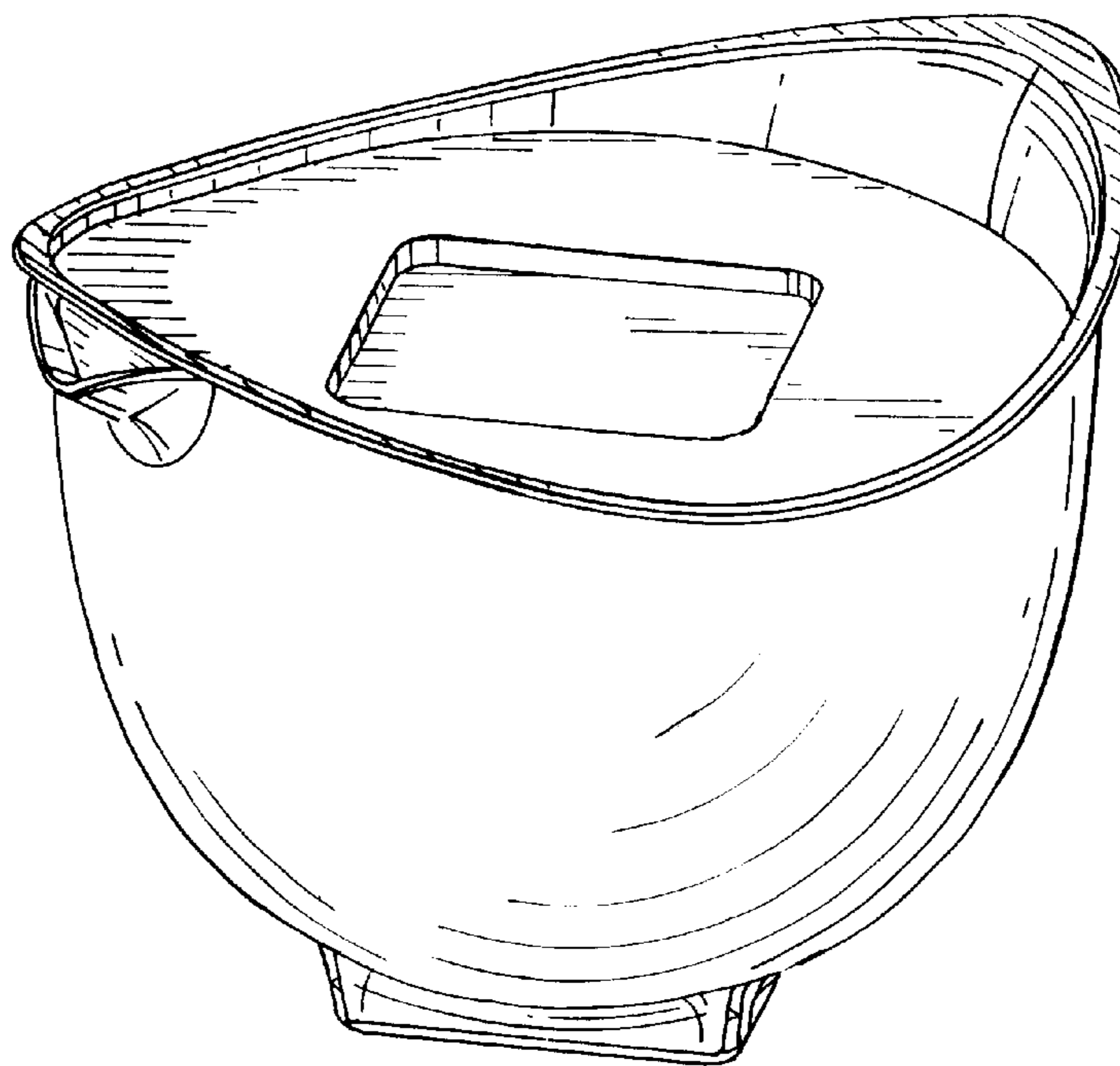


FIG. 1

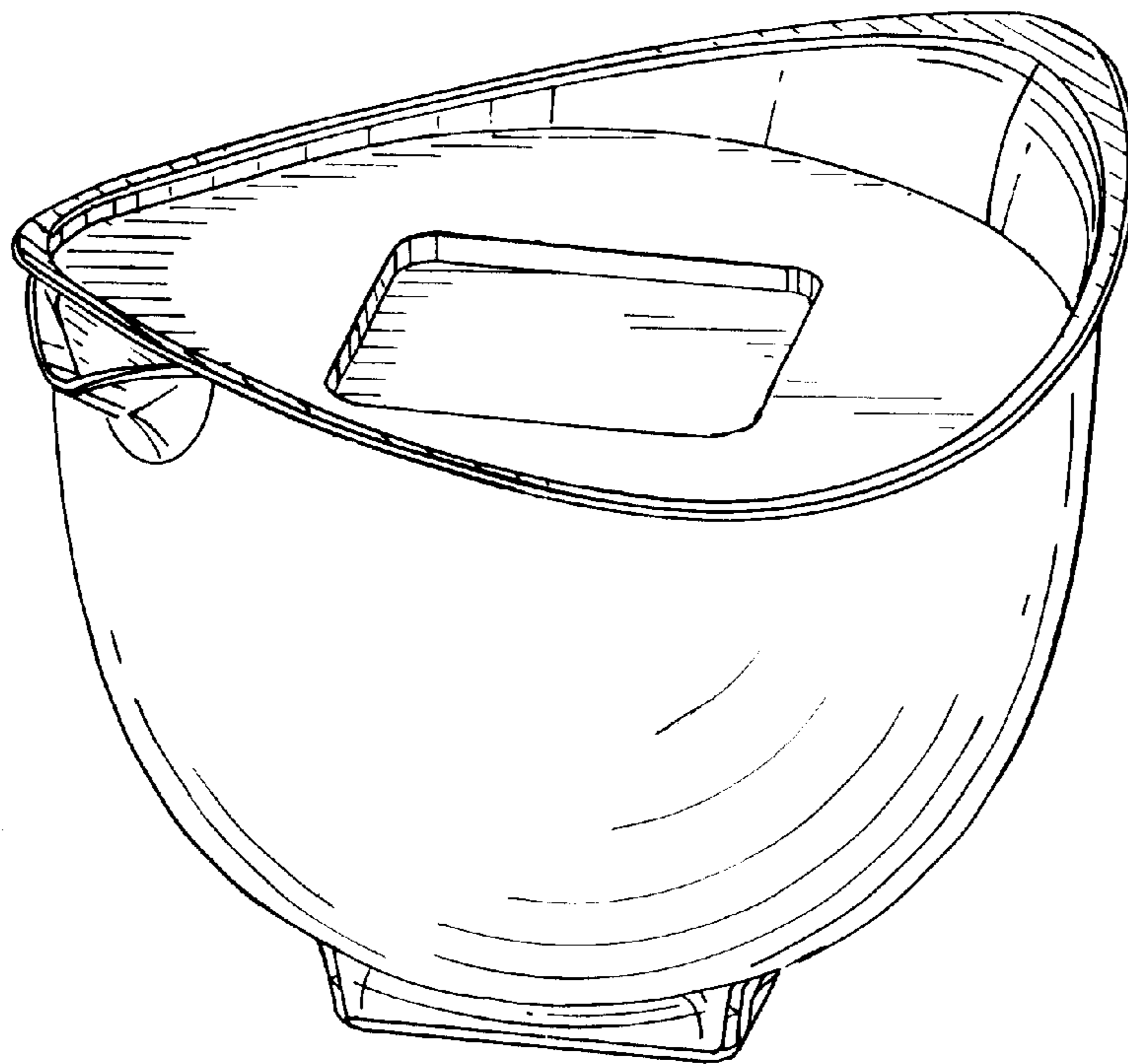


FIG. 2

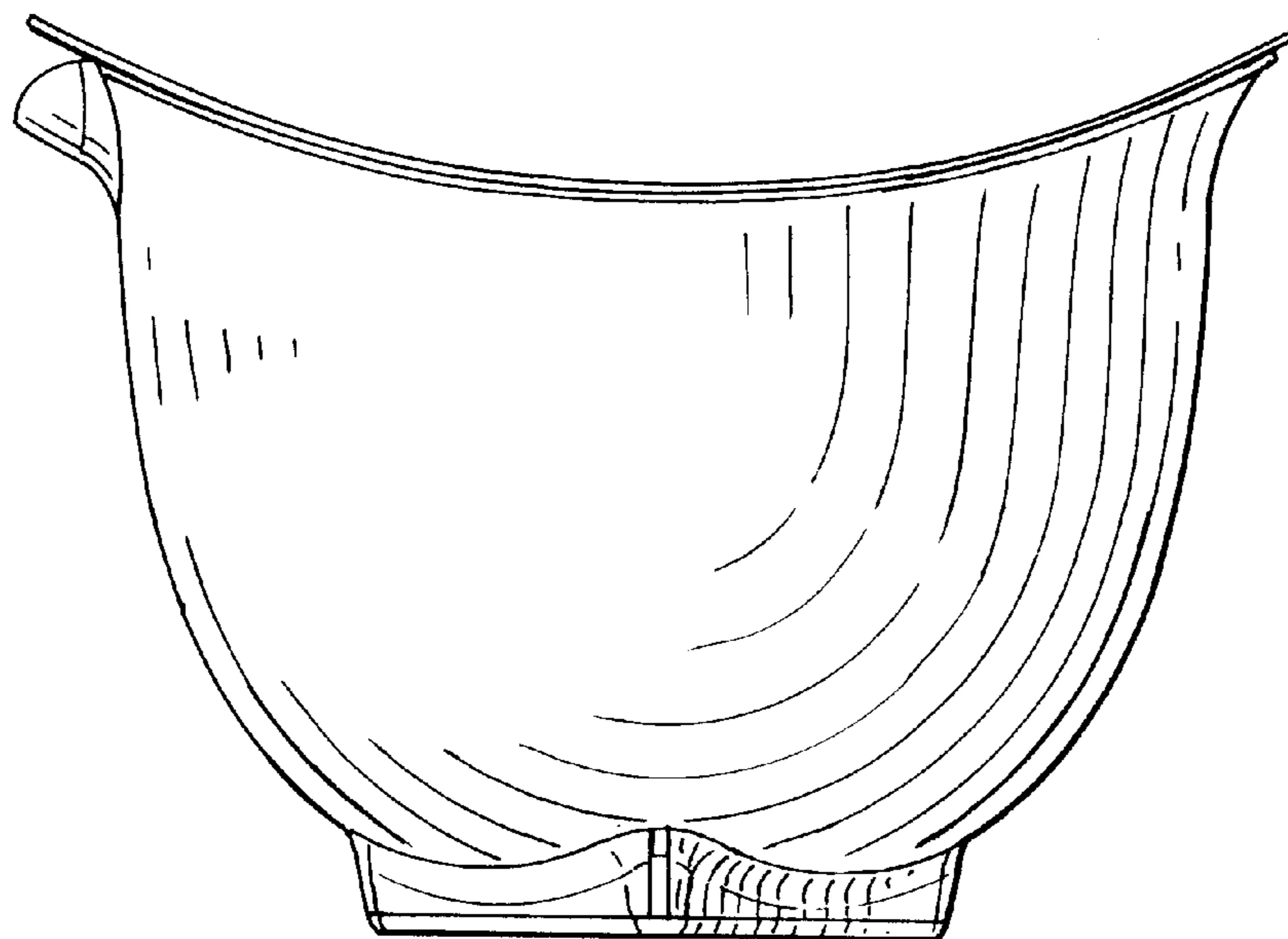


FIG. 3

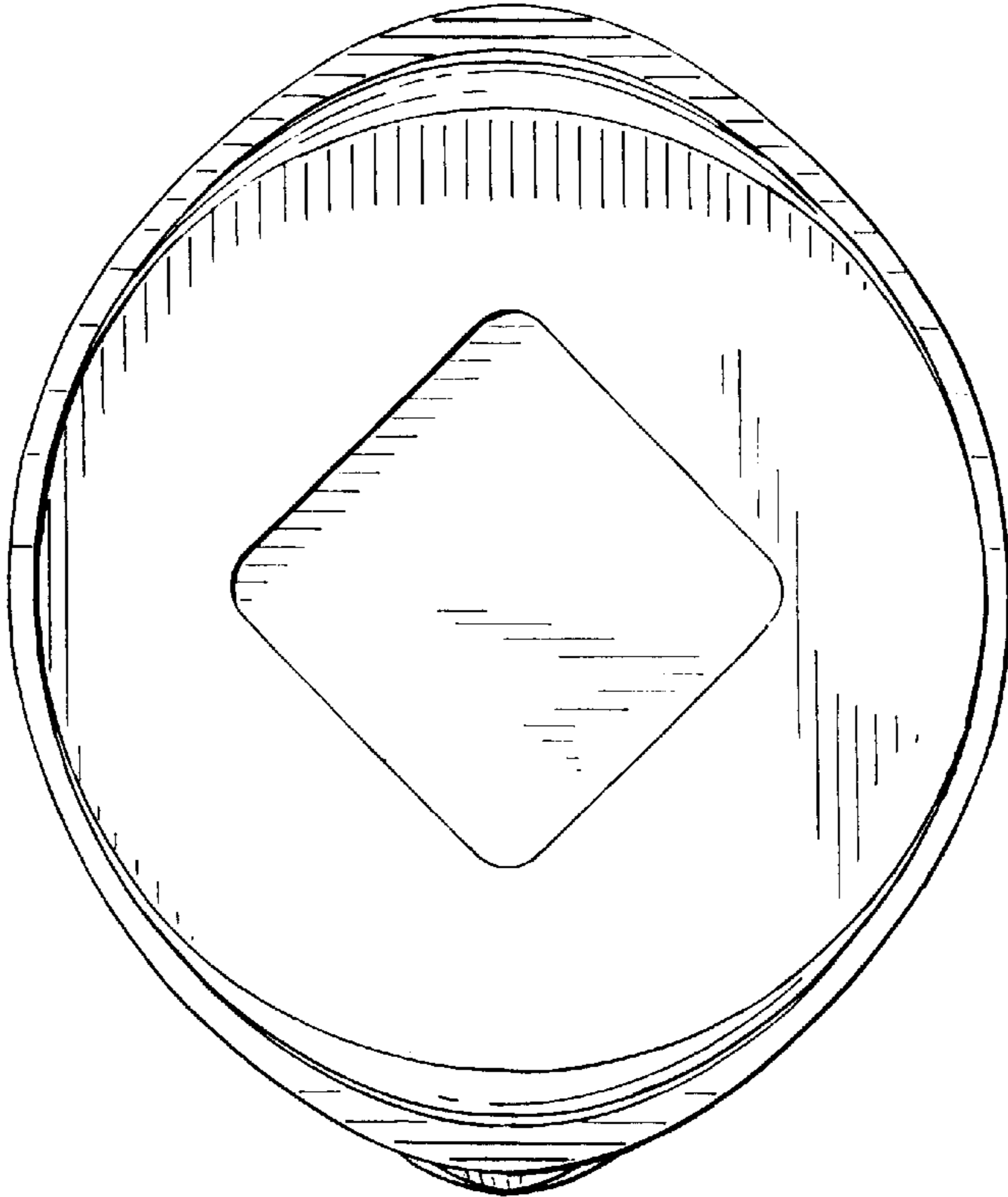


FIG. 4

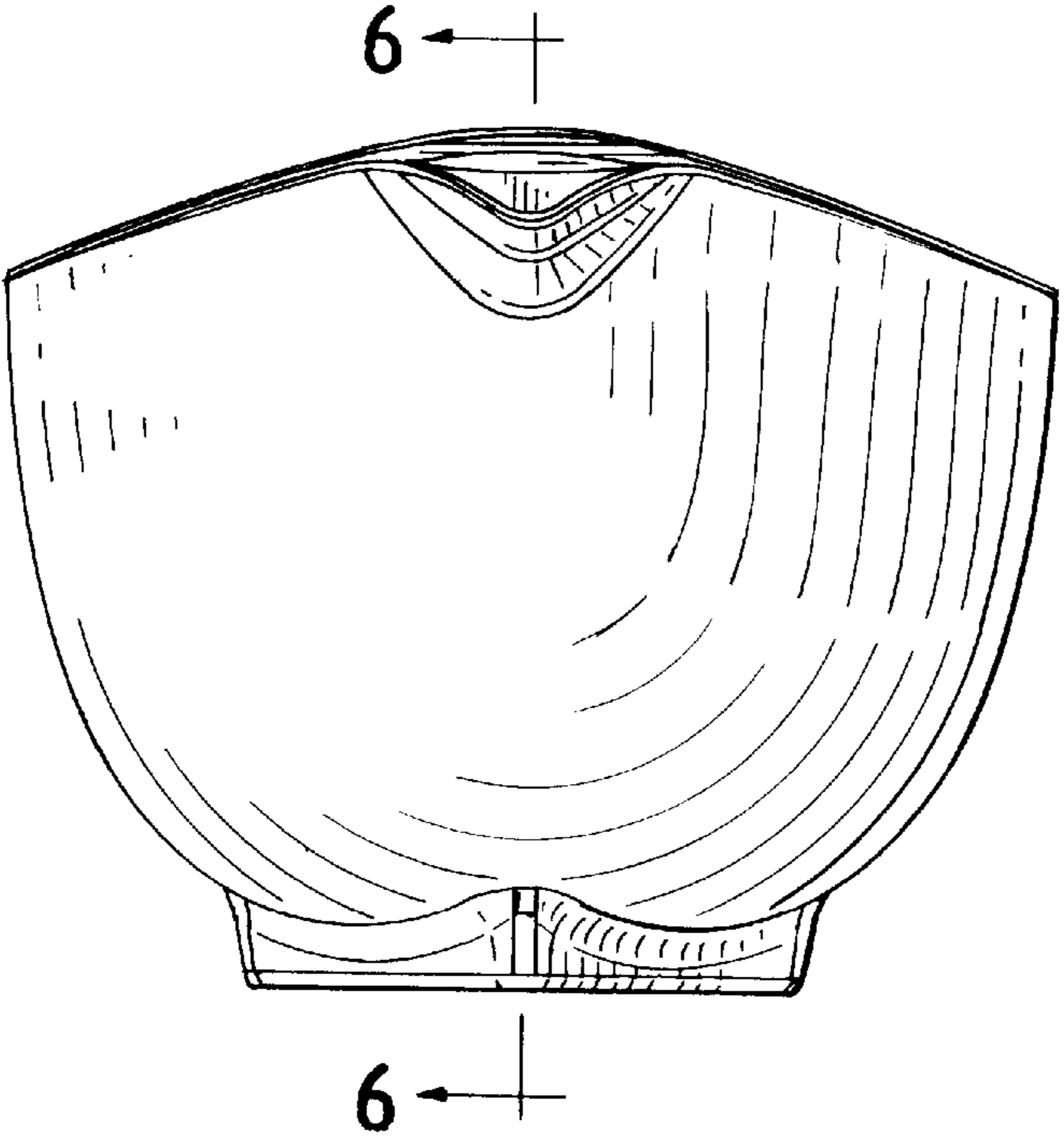


FIG. 5

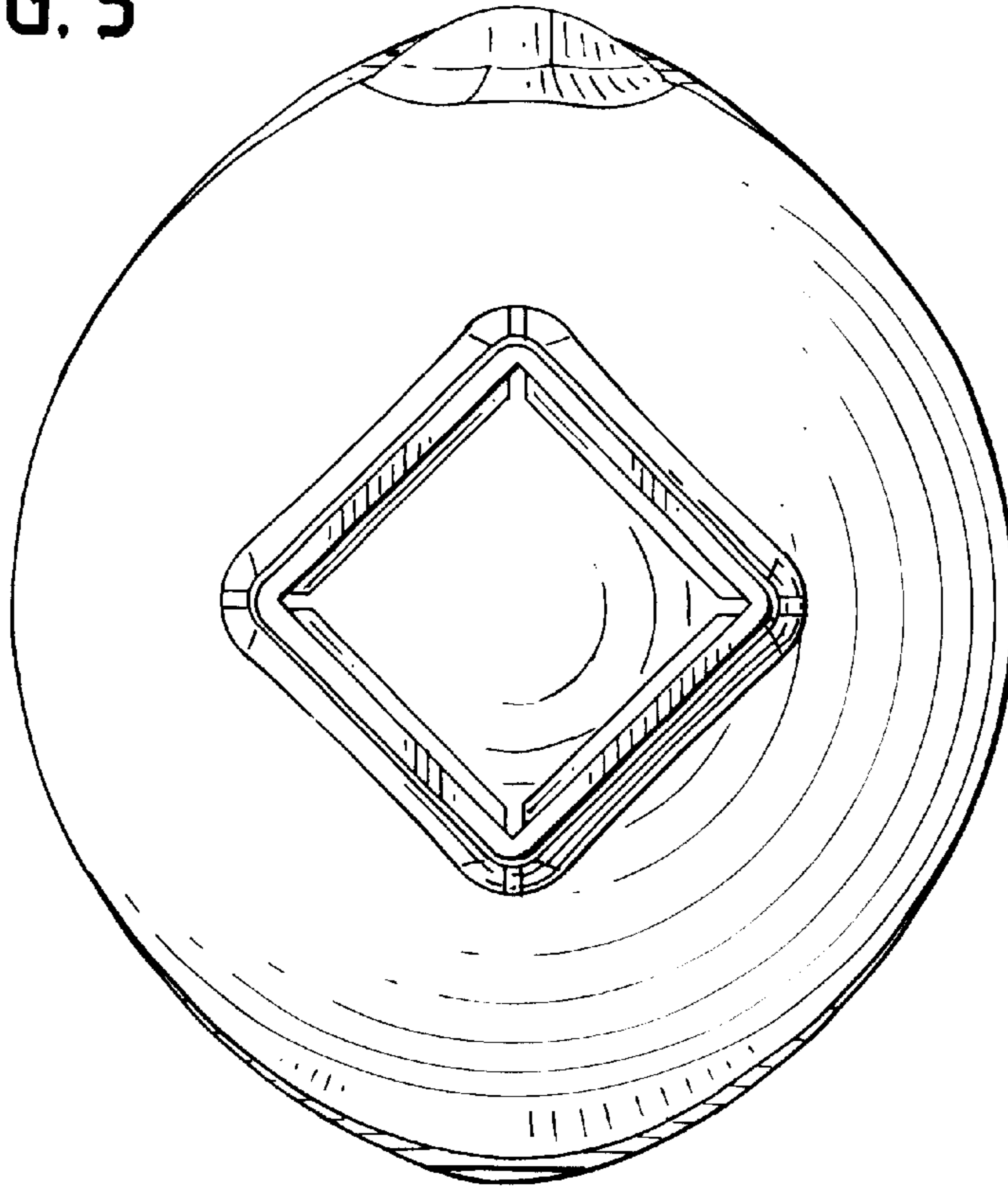


FIG. 6

