

US00D493670S1

(12) **United States Design Patent** (10) **Patent No.:** **US D493,670 S**
De Neubourg (45) **Date of Patent:** **** Aug. 3, 2004**

(54) **ELONGATED TRAY**
(75) Inventor: **Wouter De Neubourg**, Berchem (BE)
(73) Assignee: **DeSter .ACS Holding B.V.**, Weesp (NL)
(**) Term: **14 Years**
(21) Appl. No.: **29/185,587**
(22) Filed: **Jul. 1, 2003**

Related U.S. Application Data

(63) Continuation of application No. 29/146,846, filed on Aug. 20, 2001, now Pat. No. Des. 480,923.

(30) **Foreign Application Priority Data**

Feb. 20, 2001 (DE) 401 01 666

(51) **LOC (7) Cl.** **07-01**
(52) **U.S. Cl.** **D7/554.3**
(58) **Field of Search** D7/545, 540, 550.1, D7/550.2, 553.1, 553.8, 360, 552.1, 552.2; D9/432, 434, 456, 457, 497; 220/574, 574.3, 575, 495.01, 406

(56) **References Cited**

U.S. PATENT DOCUMENTS

2,006,827 A 7/1935 Feiler
D160,480 S 10/1950 Crook
2,704,974 A 3/1955 Setman
D195,683 S 7/1963 Quistgaard
D216,531 S 2/1970 Stone
3,581,970 A * 6/1971 Colato D7/554.3
D224,751 S 9/1972 Propst et al.
D226,285 S 2/1973 Bateman

D228,606 S * 10/1973 Blount D7/552.2
D229,143 S 11/1973 Holmes et al.
3,792,809 A * 2/1974 Schneider et al. 229/406
D239,316 S 3/1976 Smith
D240,714 S 7/1976 White
D253,627 S * 12/1979 Adamson D7/554.3
D271,557 S 11/1983 Schwarzli
D277,295 S 1/1985 Jones
D289,246 S 4/1987 Ritman
D365,501 S 12/1995 Daugherty et al.
D384,778 S 10/1997 Powers et al.
D417,361 S 12/1999 Mittmann et al.
6,010,005 A 1/2000 Reames et al.
D421,548 S * 3/2000 Cornelissen D7/554.3
D440,117 S 4/2001 Claffy
D470,713 S * 2/2003 Swinford et al. D7/360

* cited by examiner

Primary Examiner—Charles A. Rademaker
(74) *Attorney, Agent, or Firm*—Shlesinger, Arkwright & Garvey LLP

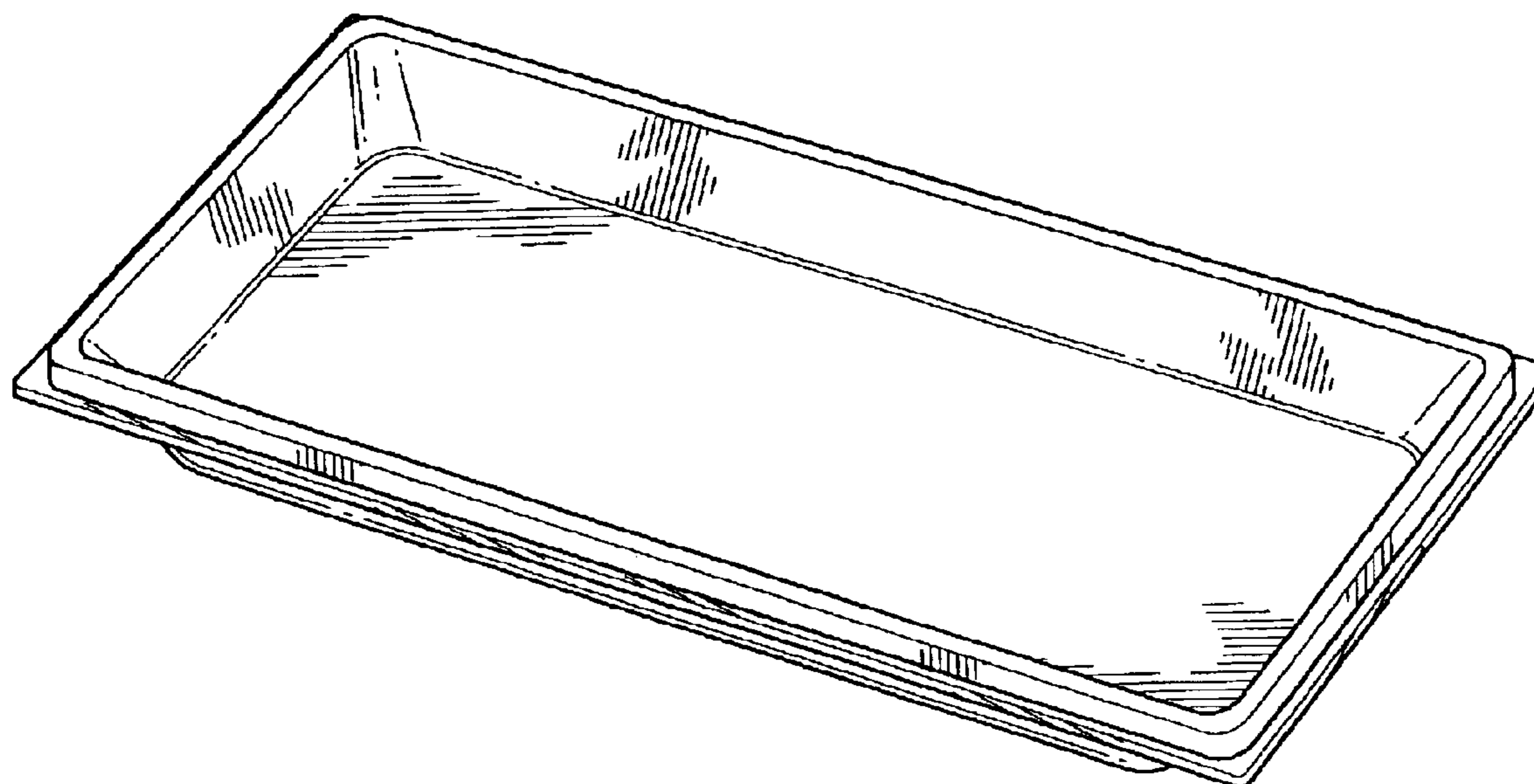
(57) **CLAIM**

The ornamental design for the elongated tray, as shown and described.

DESCRIPTION

FIG. 1 is a top perspective view of an elongated tray showing an embodiment of my design;
FIG. 2 is a front side view of the elongated tray of FIG. 1, the side view being a mirror image thereof;
FIG. 3 is a right side view of the elongated tray of FIG. 1, the left side view being a mirror image thereof;
FIG. 4 is a top view of the elongated tray of FIG. 1; and,
FIG. 5 is a bottom view of the elongated tray of FIG. 1.

1 Claim, 3 Drawing Sheets



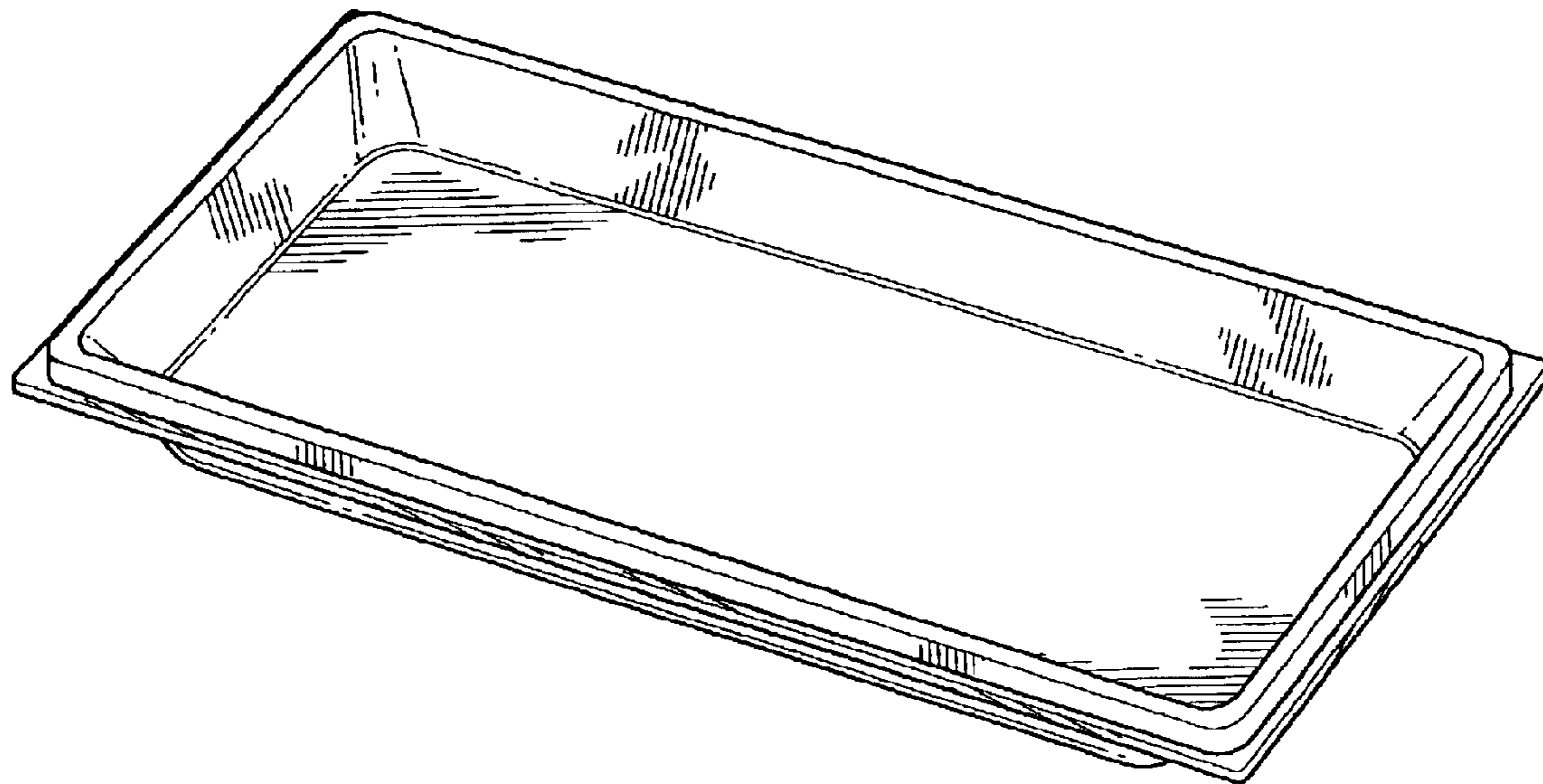


FIG.1

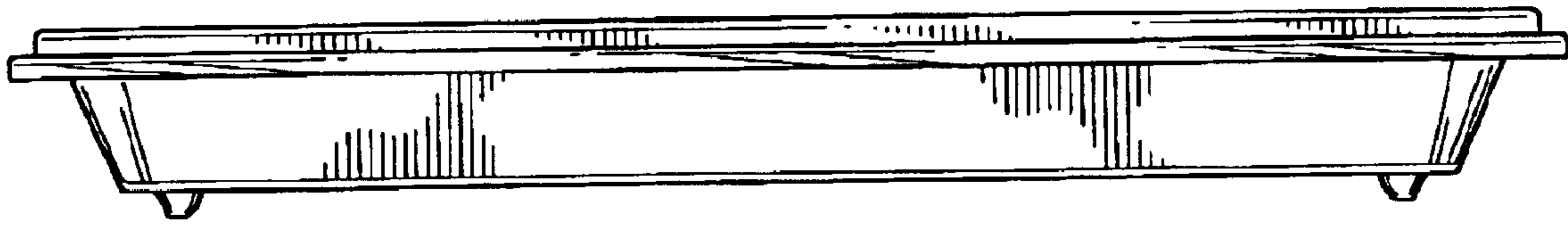


FIG. 2

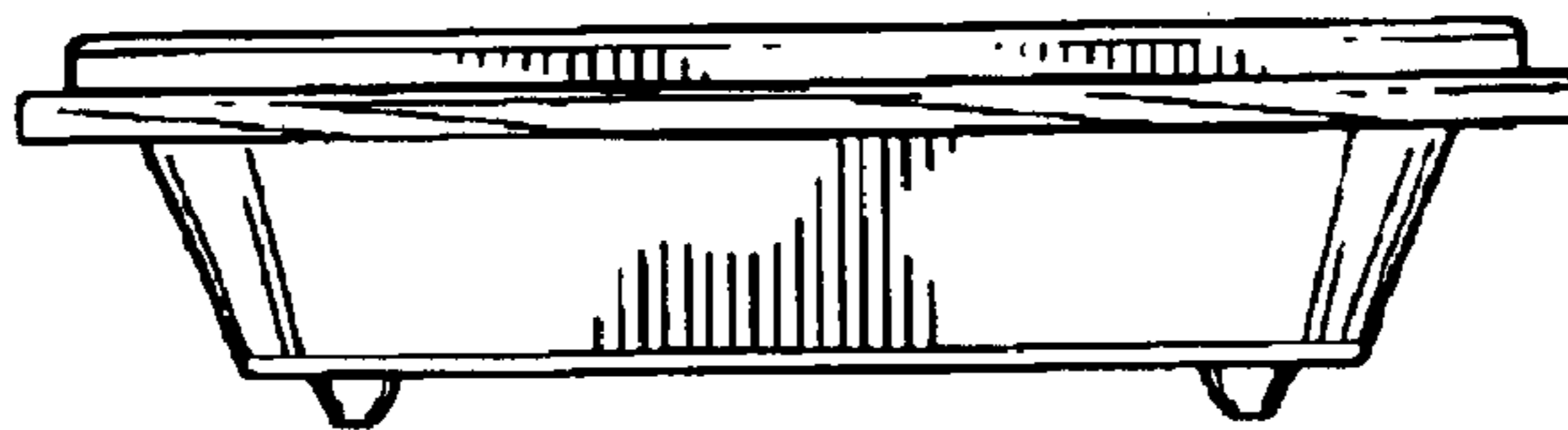


FIG. 3

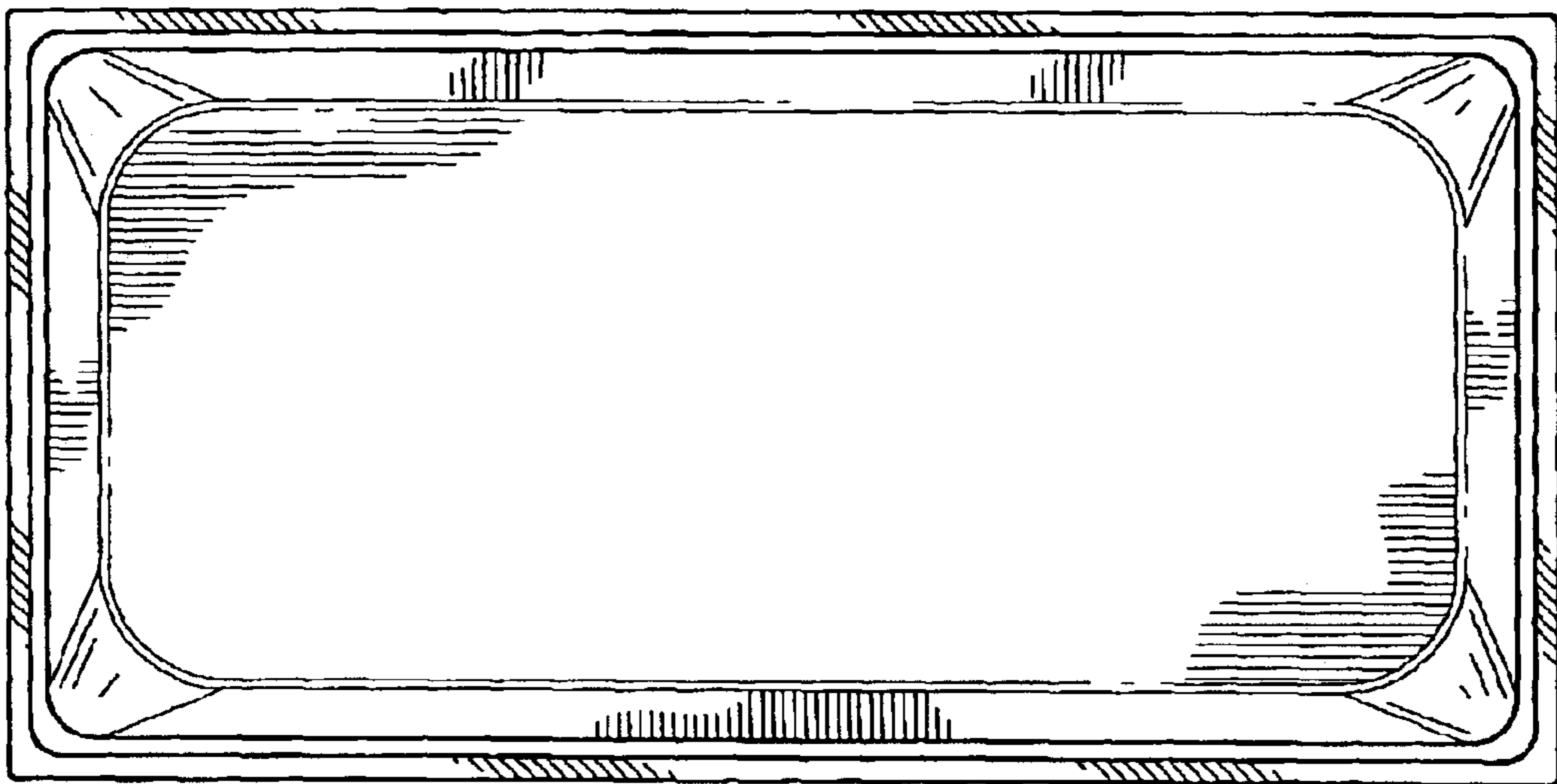


FIG. 4

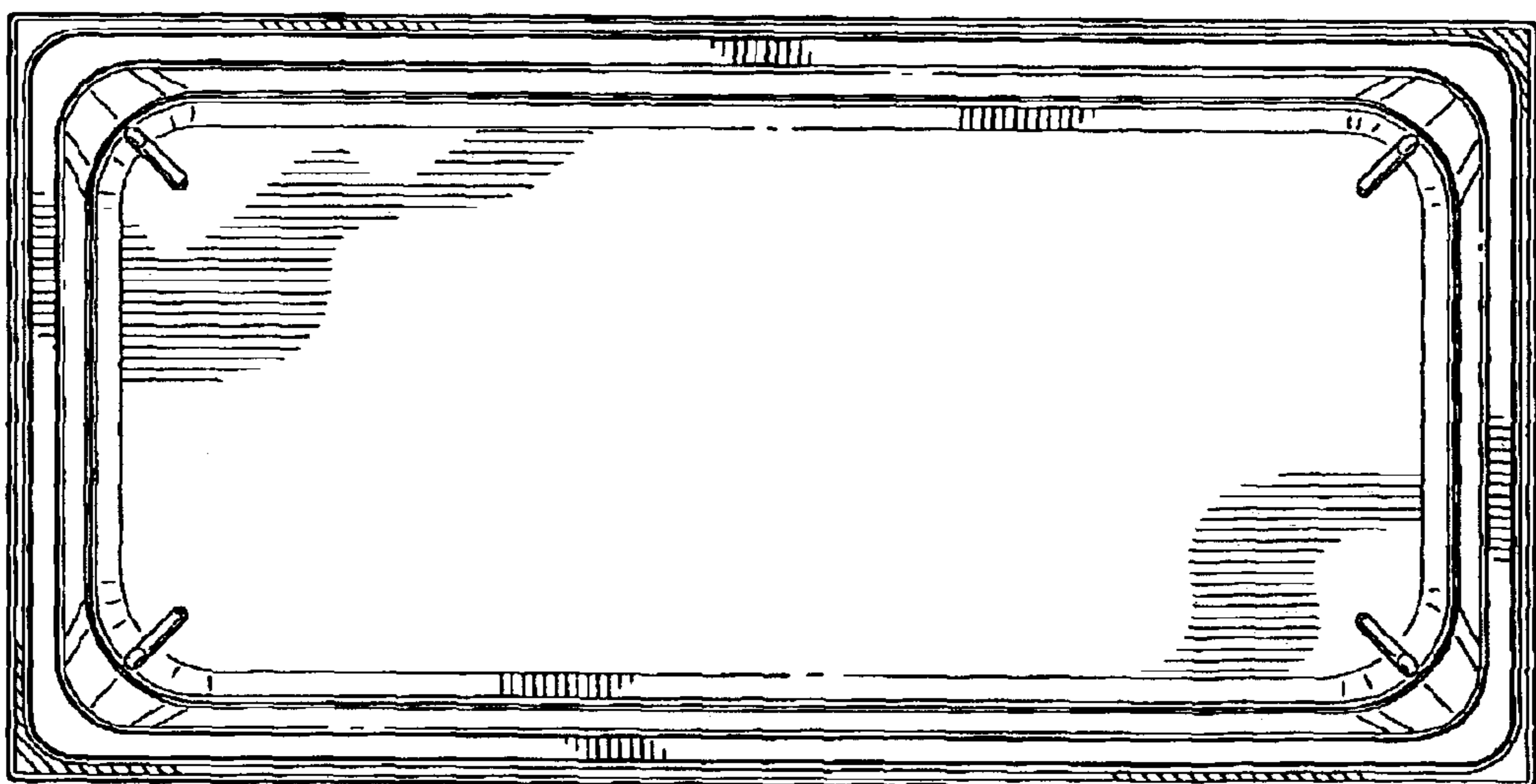


FIG. 5