

US00D493665S1

(12) **United States Design Patent**  
**Warning**

(10) **Patent No.:** **US D493,665 S**

(45) **Date of Patent:** **\*\* Aug. 3, 2004**

(54) **SECURING DEVICE FOR POT AND PAN LIDS**

6,349,847 B1 \* 2/2002 Mangla et al. .... 220/754

\* cited by examiner

(76) Inventor: **Keith W. Warning**, 22106 E Cliff Dr.,  
Joliet, IL (US) 60431

*Primary Examiner*—Terry A. Wallace

(\*\*) Term: **14 Years**

(57) **CLAIM**

The ornamental design for a securing device for pot and pan lids, as shown and described.

(21) Appl. No.: **29/181,840**

(22) Filed: **May 15, 2003**

**DESCRIPTION**

(51) **LOC (7) Cl.** ..... **07-99**

(52) **U.S. Cl.** ..... **D7/393**

(58) **Field of Search** ..... D7/393, 394, 610;  
D8/396; D9/434; D34/28; 24/16 PB, 3.5 P;  
16/110.1, 406, 407; 206/203, 503, 551,  
820; 294/27.1, 31.2, 33, 137, 165, 170

FIG. 1 is a front elevational view of a securing device for pot and pan lids showing my new design, the rear elevational view being a mirror image thereof;

FIG. 2 is a side view, taken from the left side of FIG. 1, the right side view being the same thereas;

FIG. 3 is a top plan view thereof, the bottom plan view being the same thereas; and,

FIG. 4 is a perspective view of my device in use.

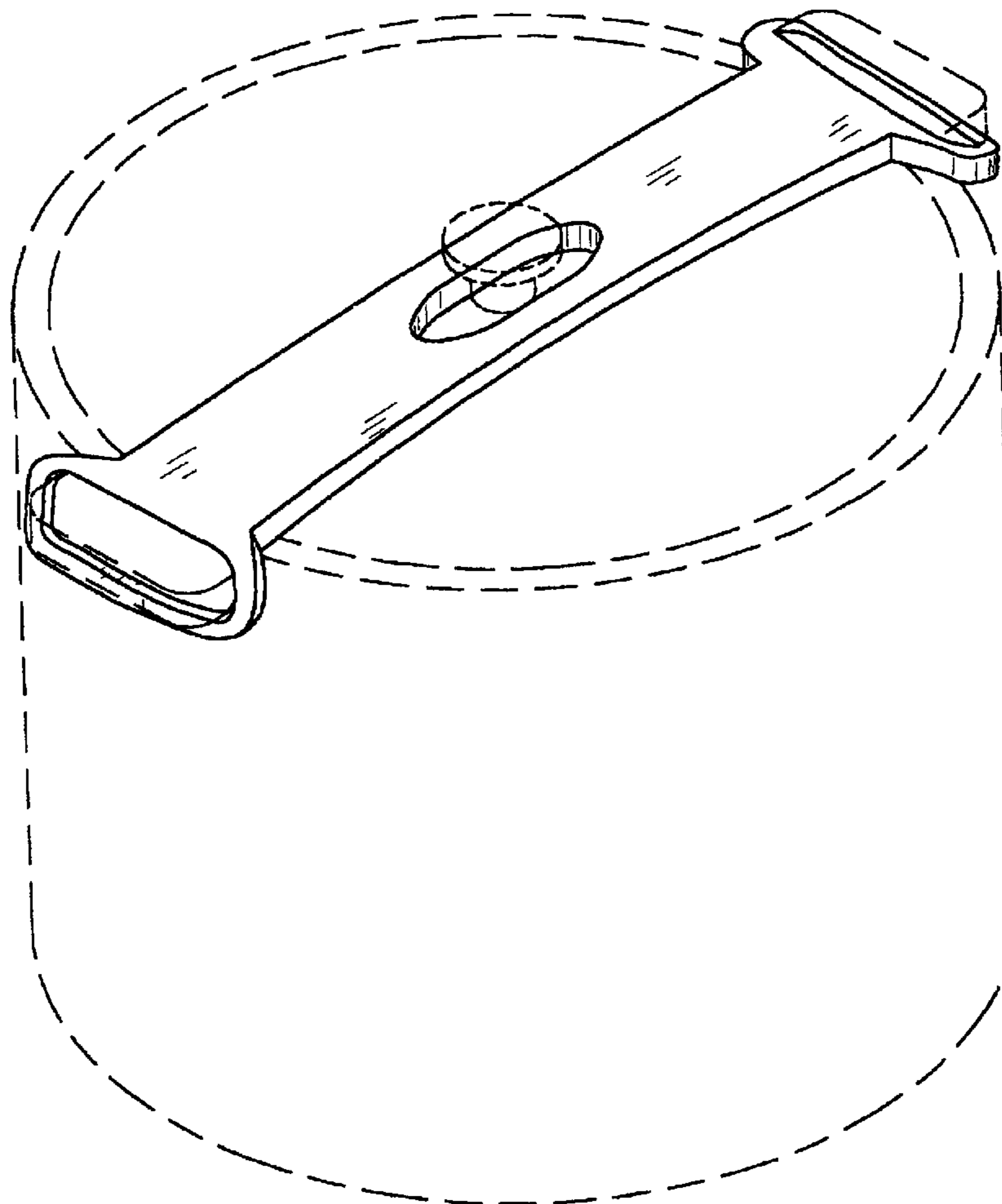
The dotted lines showing a pot and pot lid in FIG. 4 are for illustrative purposes only and form no part of my claimed design.

(56) **References Cited**

**U.S. PATENT DOCUMENTS**

D206,079 S \* 10/1966 Swett ..... D9/434  
D241,600 S \* 9/1976 Ashton ..... D7/709

**1 Claim, 2 Drawing Sheets**



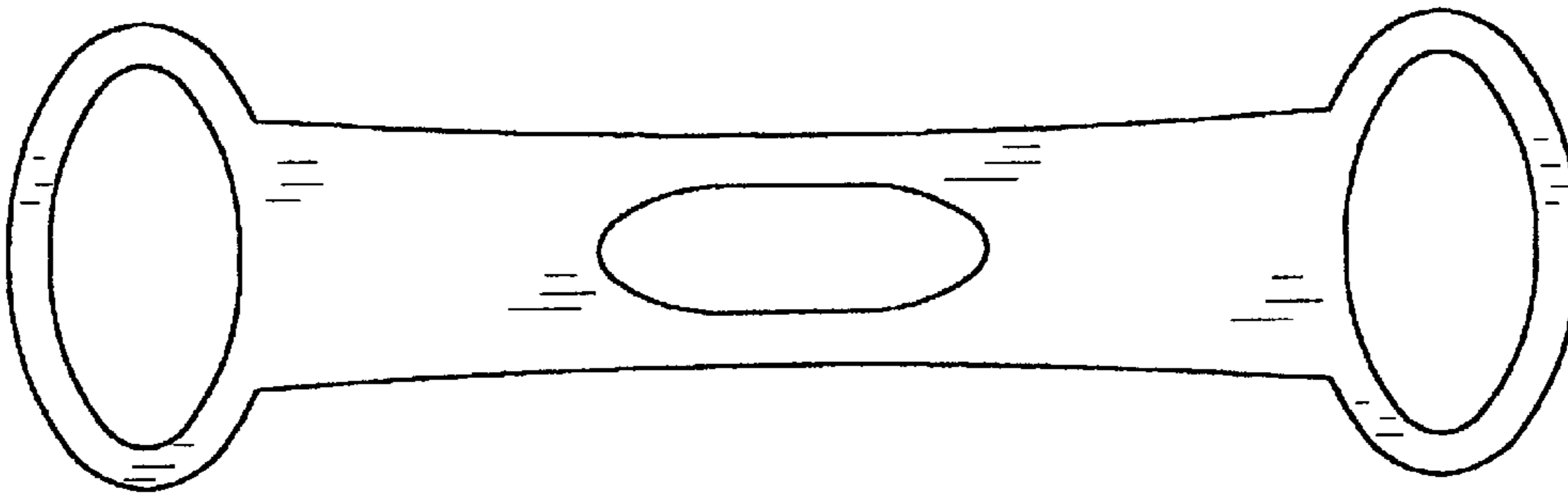


FIG. 1

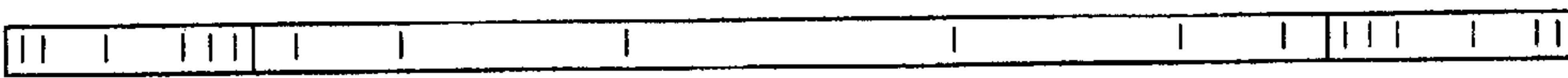


FIG. 2



FIG. 3

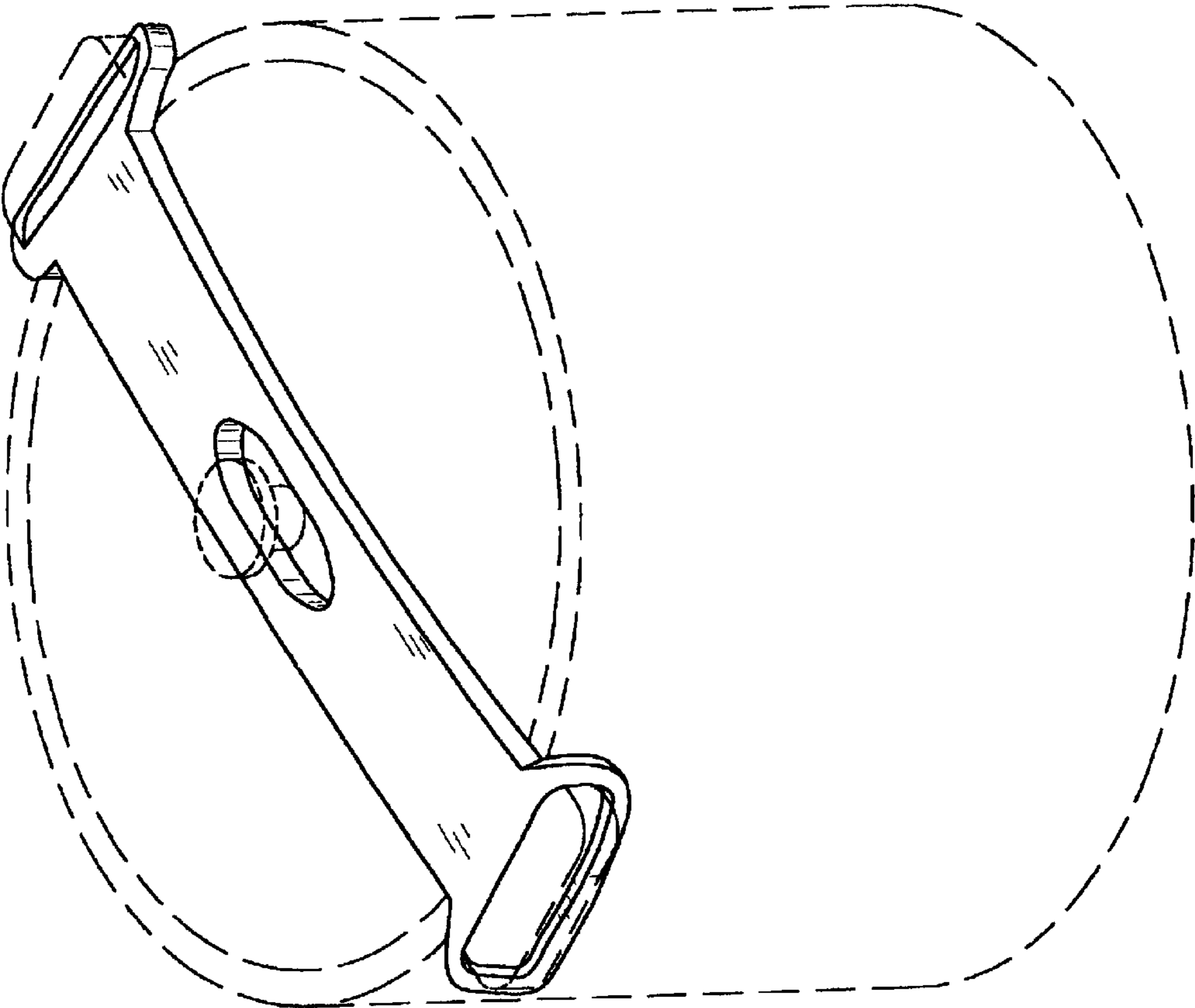


FIG. 4