

US00D493664S1

(12) **United States Design Patent** (10) **Patent No.:** **US D493,664 S**  
**Siegel et al.** (45) **Date of Patent:** **\*\* Aug. 3, 2004**

- (54) **BAKING APPARATUS FOR COOKING AND SERVING CAKE**
- (75) Inventors: **Jeff Siegel**, Center Island, NY (US);  
**Adam Krent**, Brooklyn, NY (US);  
**David Linn Burnett**, New York, NY (US); **William J. Lazaroff**, Floral Park, NY (US)
- (73) Assignee: **Lifetime Hoan Corporation**, Westbury, NY (US)
- (\*\*) Term: **14 Years**
- (21) Appl. No.: **29/166,989**
- (22) Filed: **Sep. 9, 2002**
- (51) **LOC (7) Cl.** ..... **07-02**
- (52) **U.S. Cl.** ..... **D7/354**
- (58) **Field of Search** ..... D7/354-361, 505, D7/550.1, 554.1-554.4; 220/571; 99/DIG. 15

(56) **References Cited**

**U.S. PATENT DOCUMENTS**

- 4,117,948 A \* 10/1978 Collins ..... D7/505  
5,537,917 A \* 7/1996 Schiffer et al. .... 99/DIG. 15

\* cited by examiner

*Primary Examiner*—Lisa Lichtenstein

(74) *Attorney, Agent, or Firm*—Goodman & Teitelbaum, Esqs.

(57) **CLAIM**

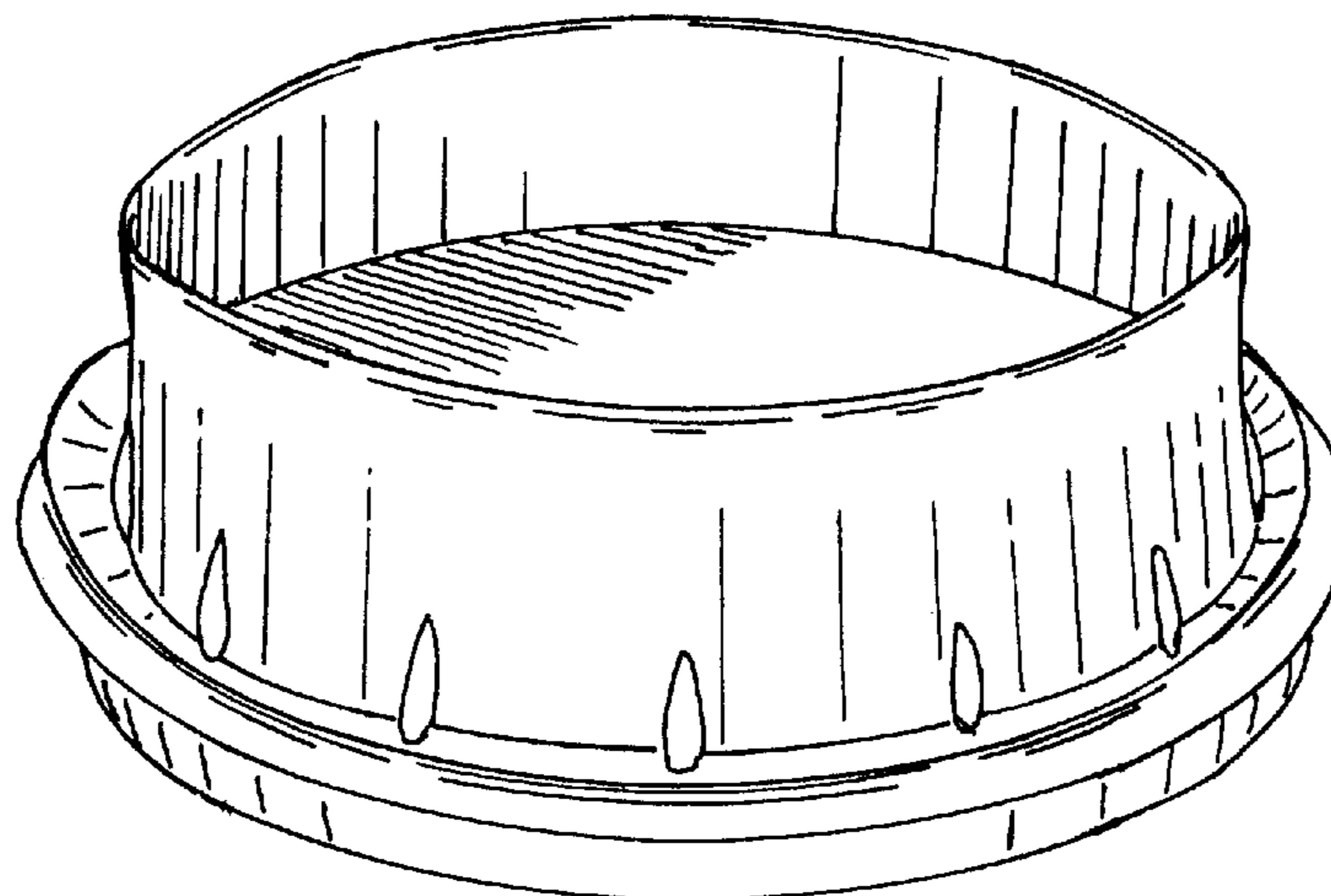
The ornamental design for a baking apparatus for cooking and serving cake, as shown and described.

**DESCRIPTION**

FIG. 1 is a perspective view of an assembled baking apparatus for cooking and serving cake, showing our new design;

- FIG. 2 is a top plan view thereof;
- FIG. 3 is a side elevational view of a first side thereof;
- FIG. 4 is a bottom plan view thereof;
- FIG. 5 is a side elevational view of an opposite second side thereof;
- FIG. 6 is a side elevational view of an adjacent third side thereof;
- FIG. 7 is a side elevational view of an adjacent fourth side opposite the third side thereof;
- FIG. 8 is a perspective view of the cooking and serving platter shown in our new design of FIGS. 1-7, shown separately for clarity of illustration;
- FIG. 9 is a top plan view of FIG. 8;
- FIG. 10 is a side elevational view of a first side of FIG. 8;
- FIG. 11 is a bottom plan view of FIG. 8;
- FIG. 12 is a side elevational view of an opposite second side of FIG. 8;
- FIG. 13 is a side elevational view of an adjacent third side of FIG. 8;
- FIG. 14 is a side elevational view of an adjacent fourth side opposite the third side of FIG. 8;
- FIG. 15 is a perspective view of the baking ring shown in our new design of FIGS. 1-7, shown separately for clarity of illustration;
- FIG. 16 is a top plan view of FIG. 15;
- FIG. 17 is a side elevational view of a first side of FIG. 15;
- FIG. 18 is a bottom plan view of FIG. 15;
- FIG. 19 is a side elevational view of an opposite second side of FIG. 15;
- FIG. 20 is a side elevational view of an adjacent third side of FIG. 15; and,
- FIG. 21 is a side elevational view of an adjacent fourth side opposite the third side of FIG. 15.

**1 Claim, 6 Drawing Sheets**



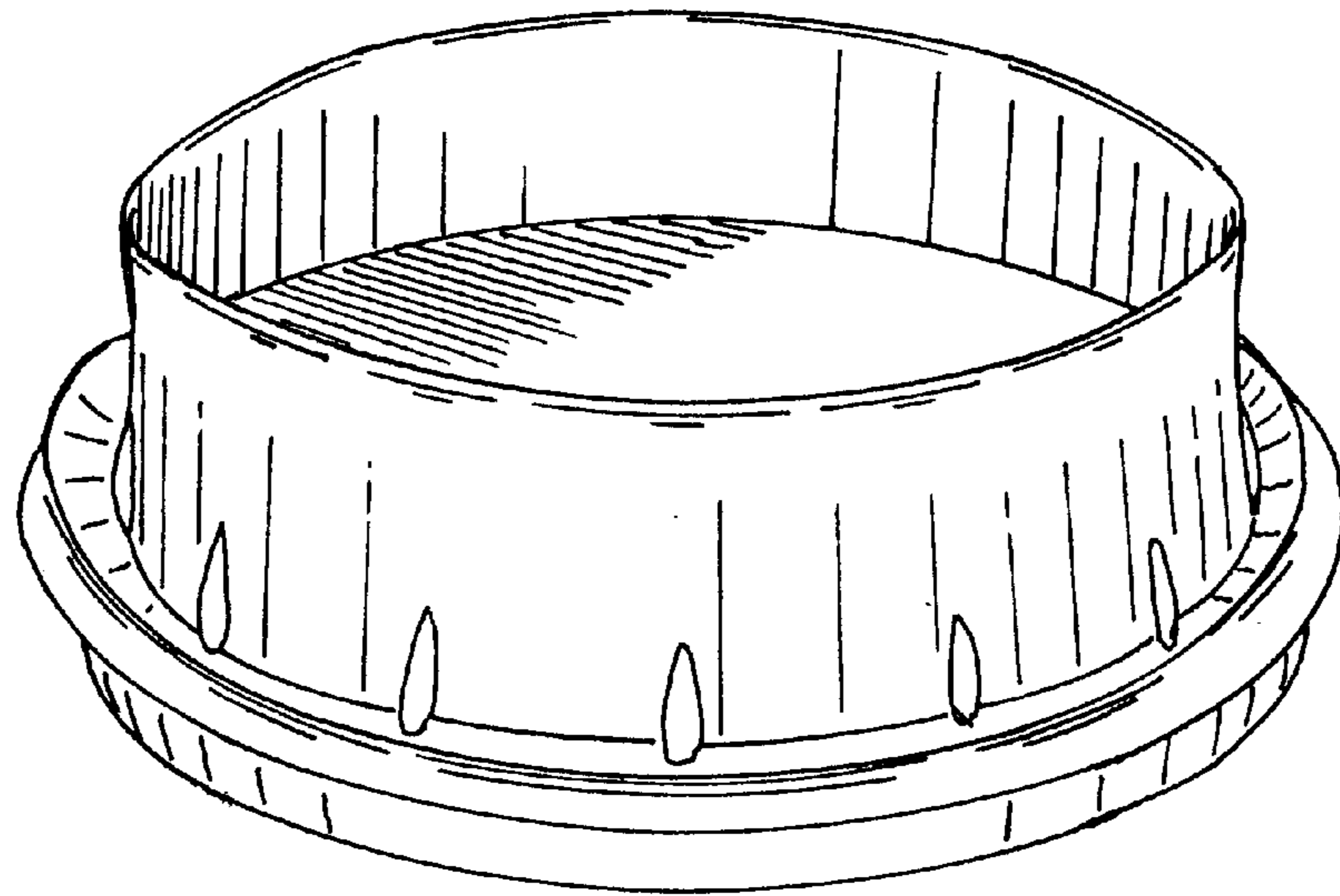


FIG. 1

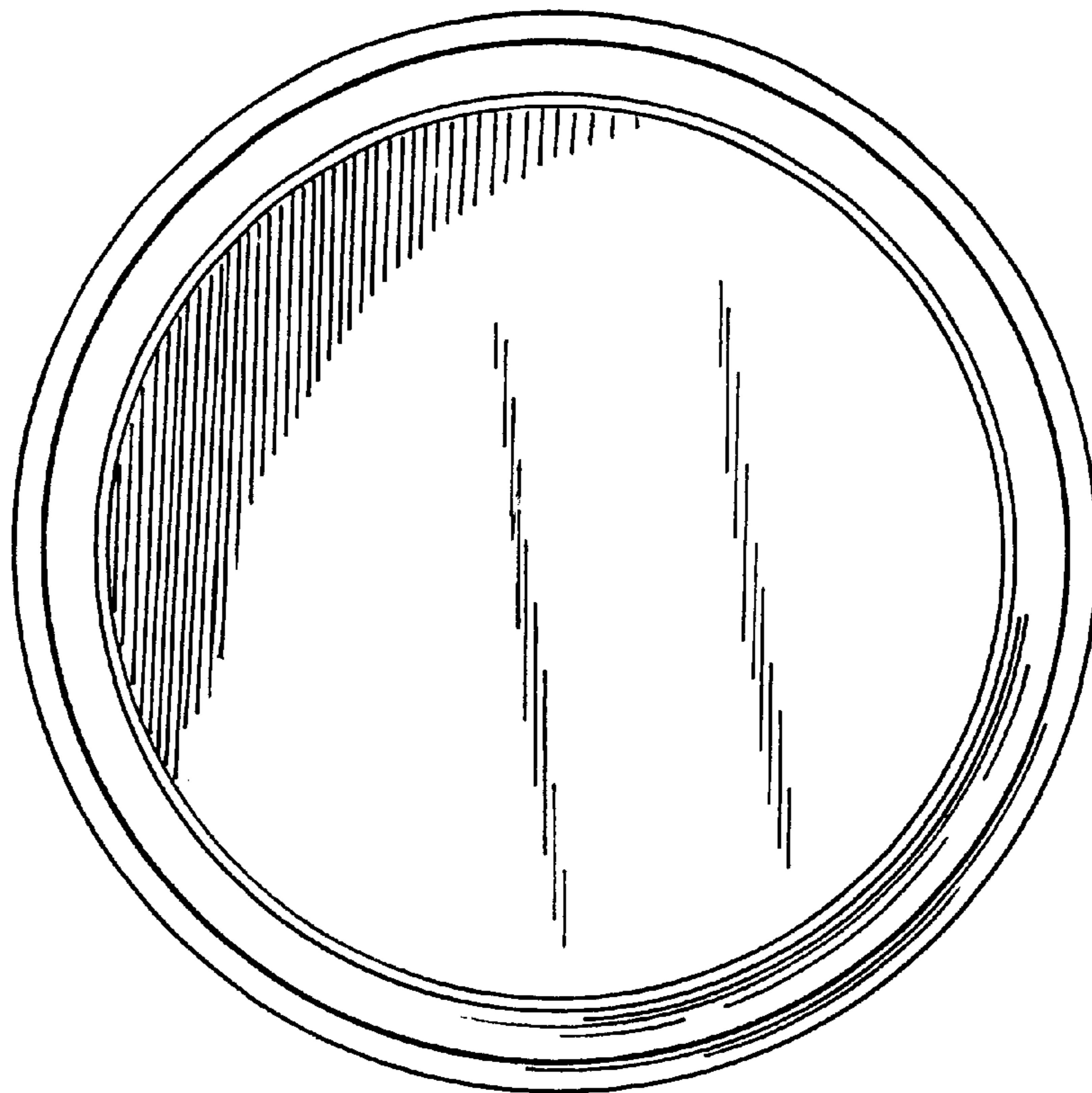


FIG. 2

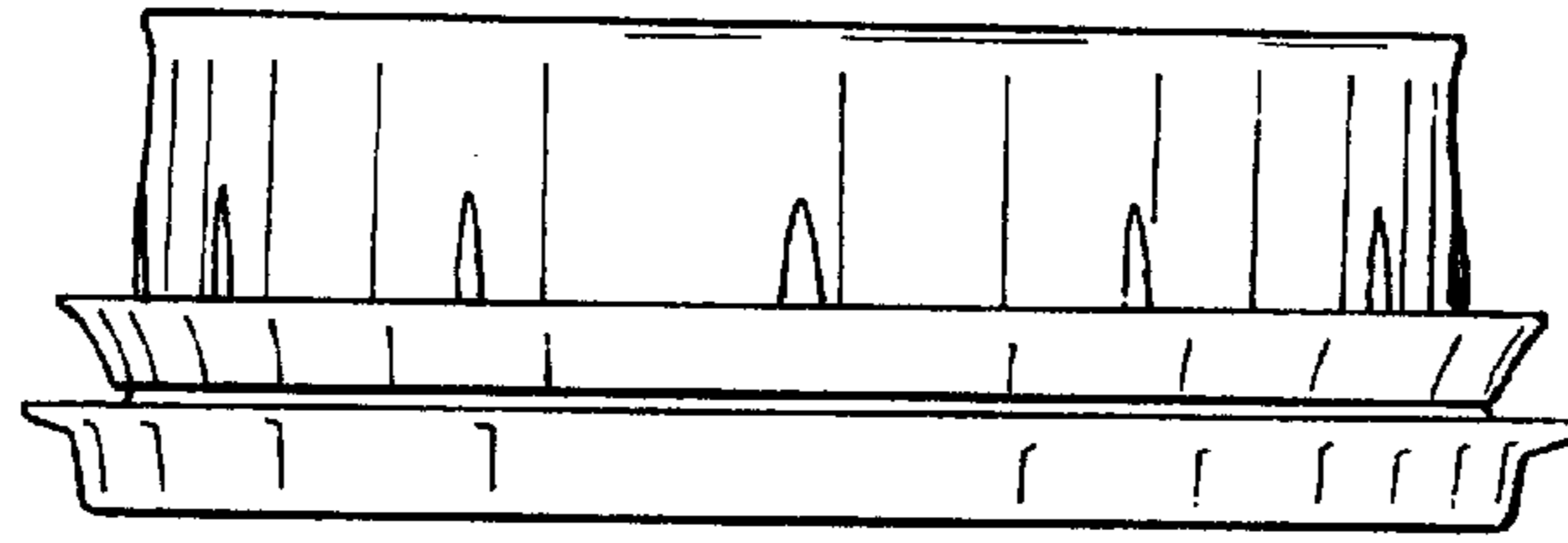


FIG. 3

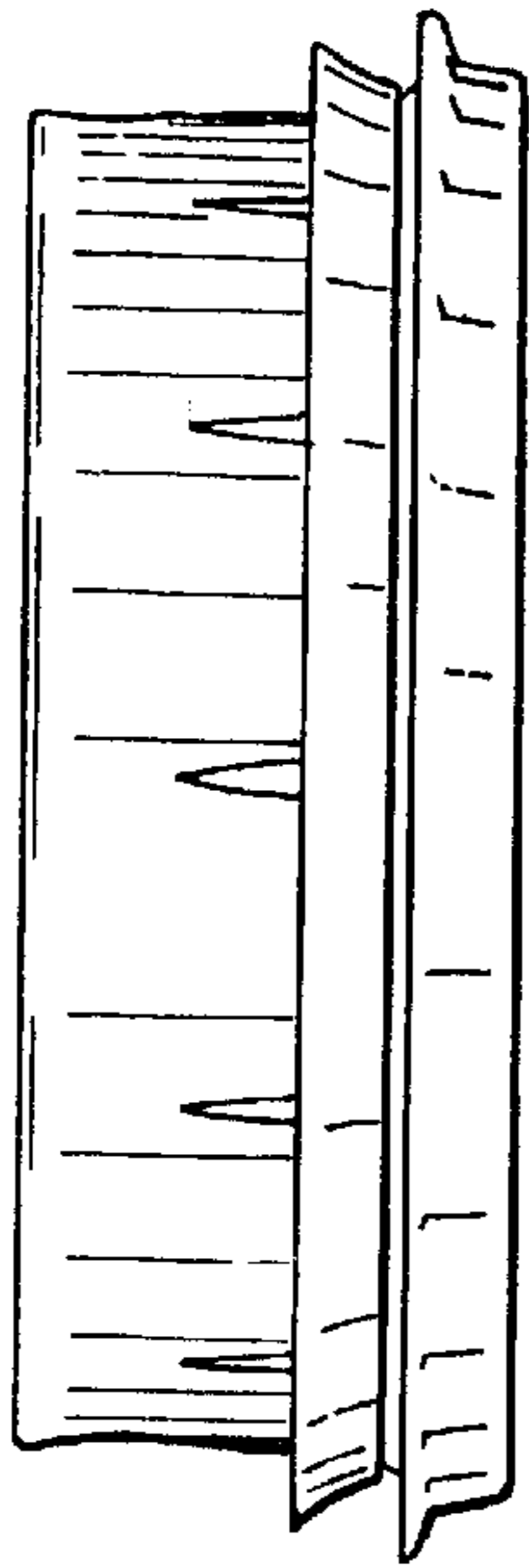


FIG. 6

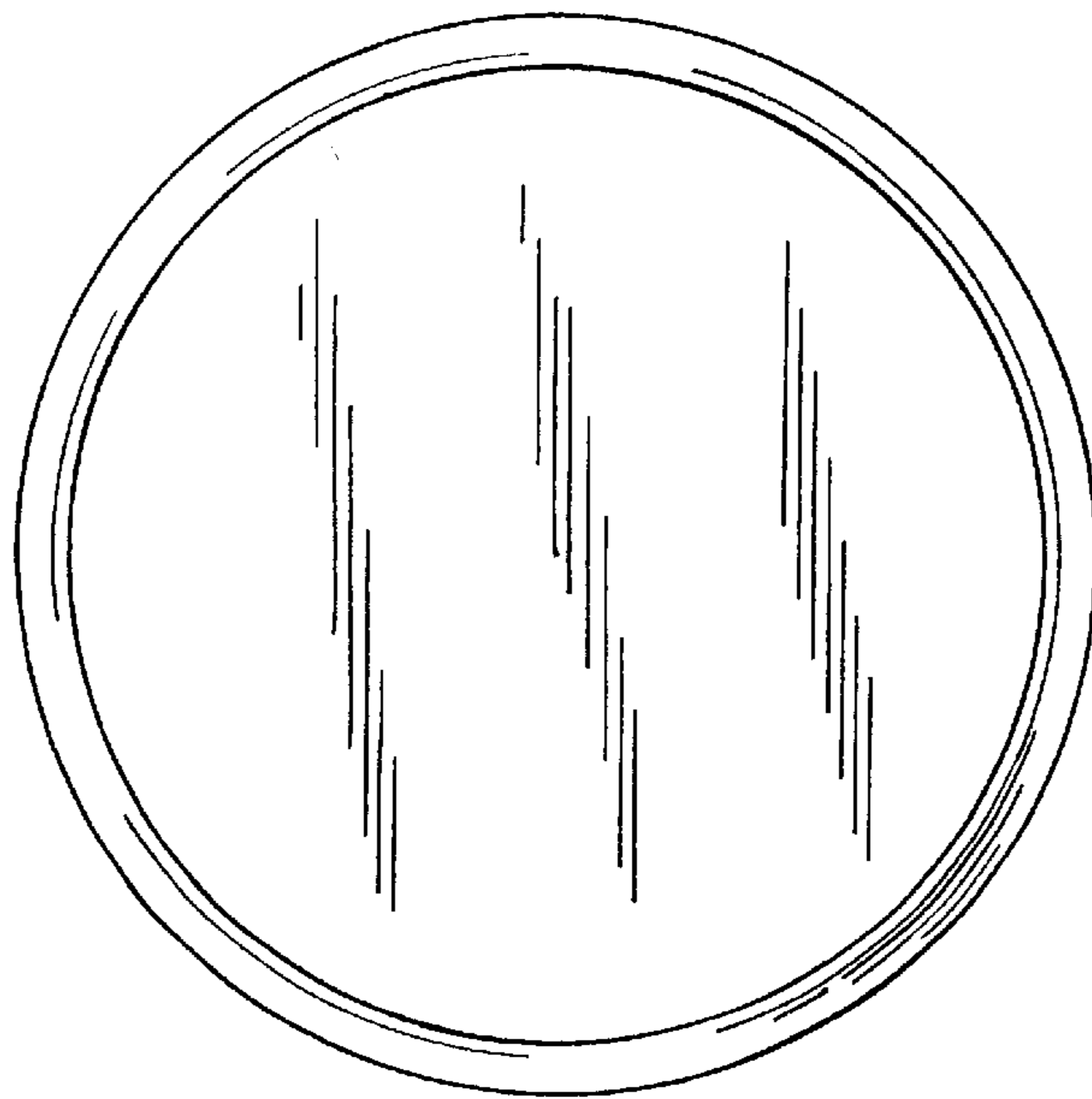


FIG. 4

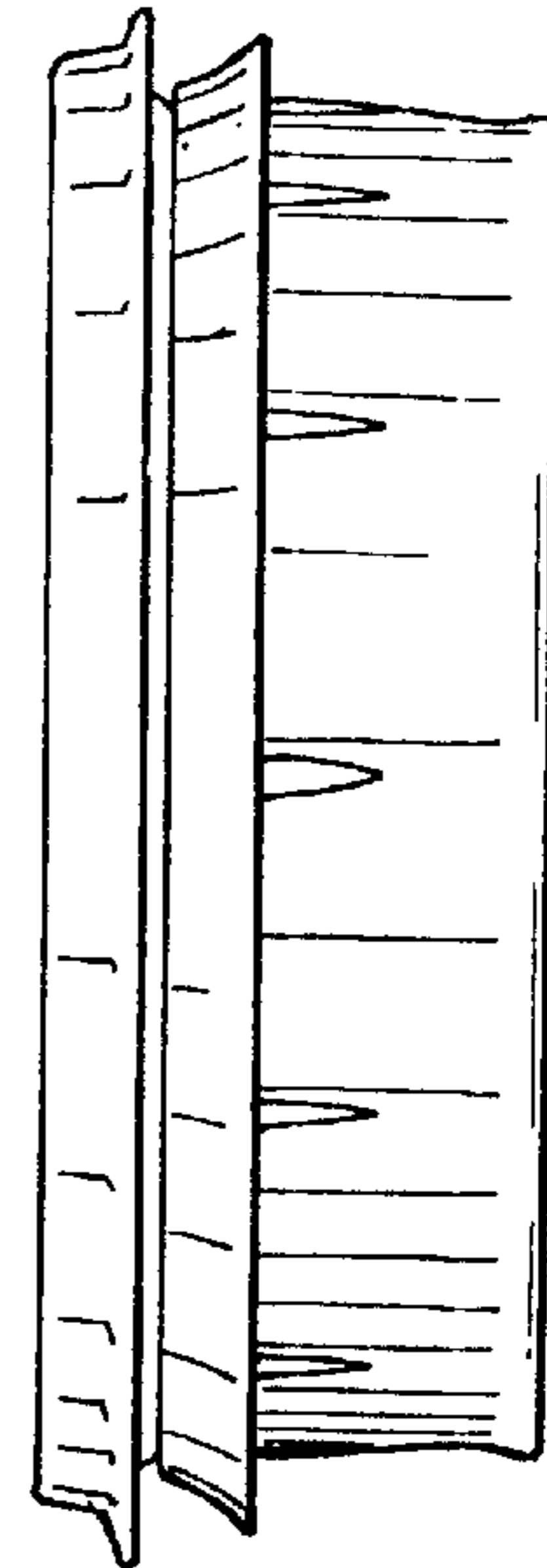


FIG. 7

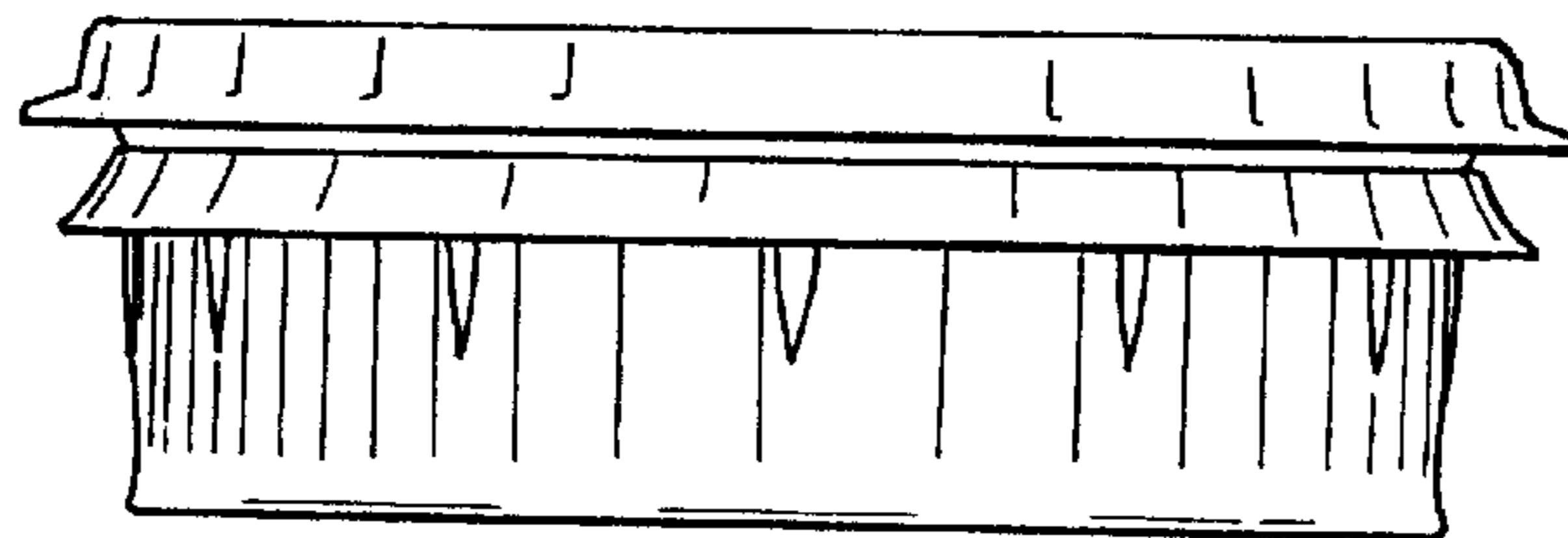


FIG. 5

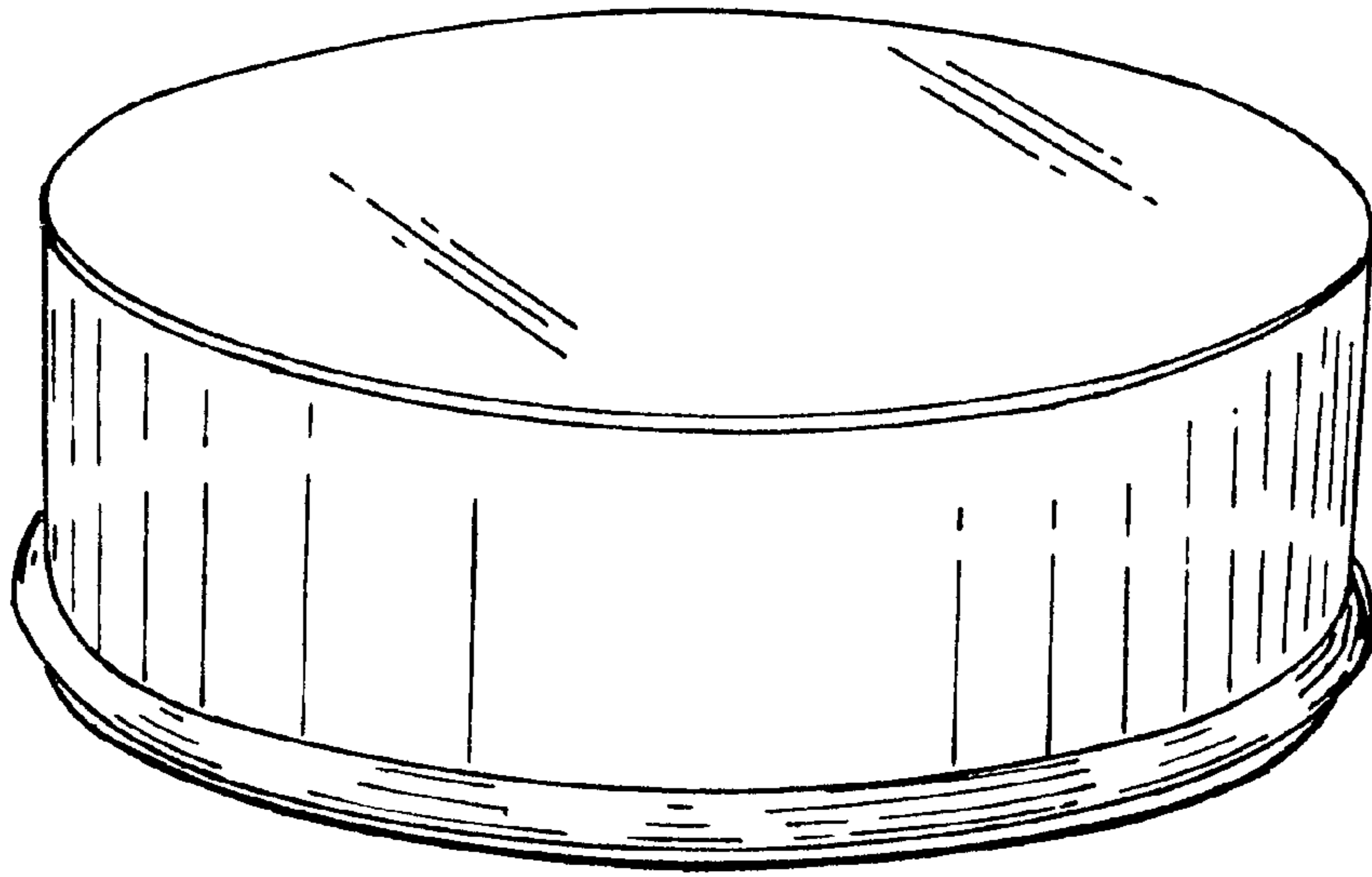


FIG. 8

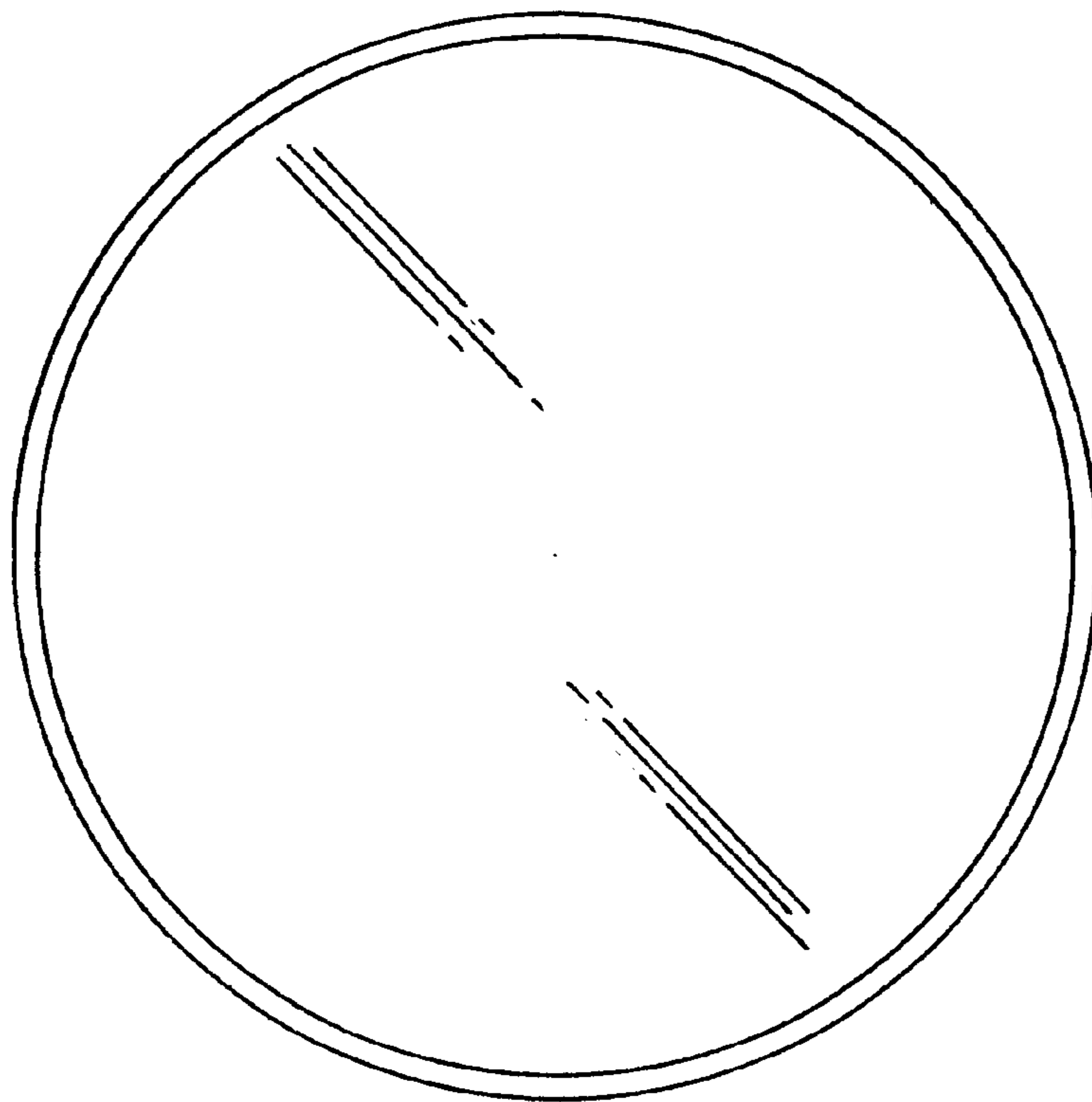


FIG. 9

FIG. 10

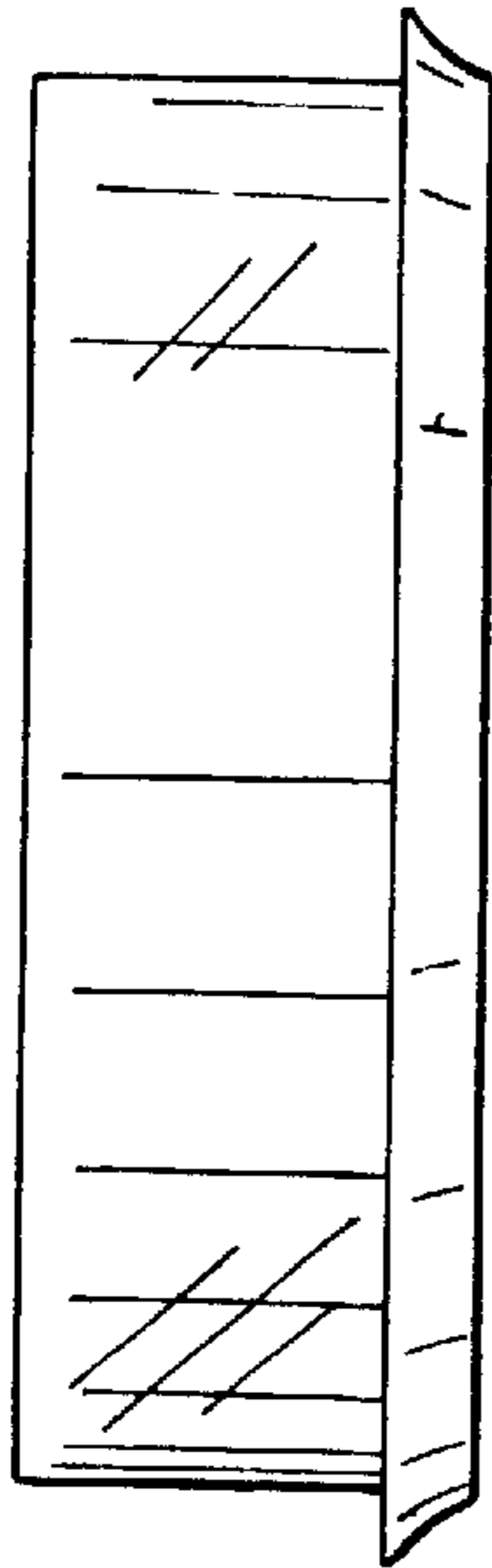
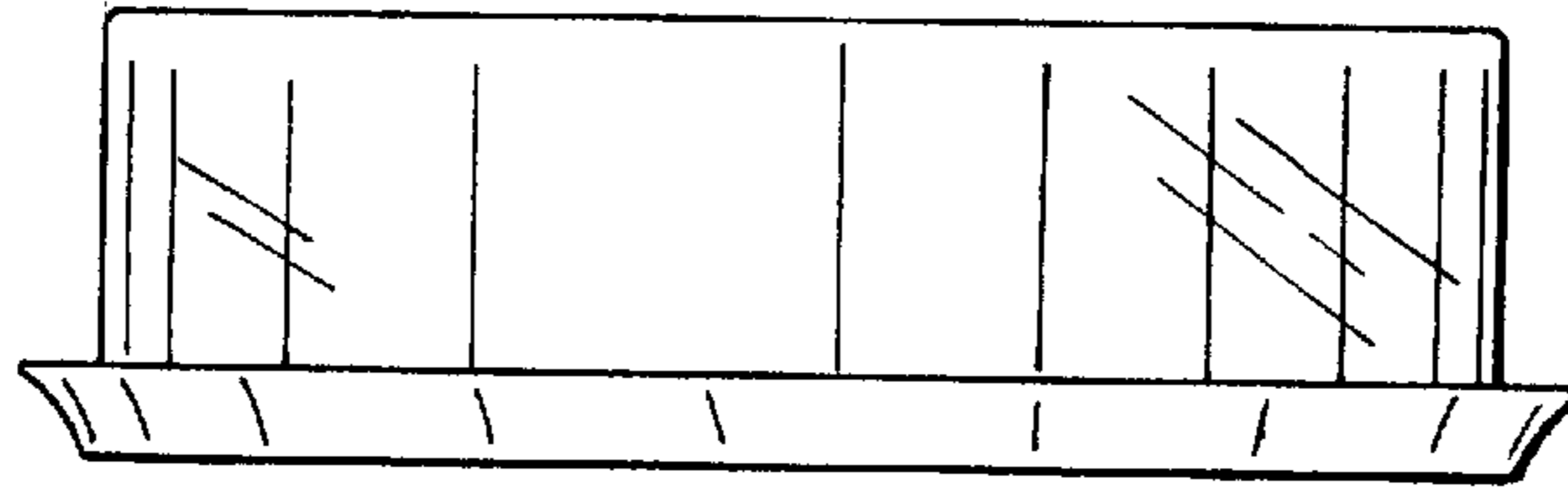


FIG. 13

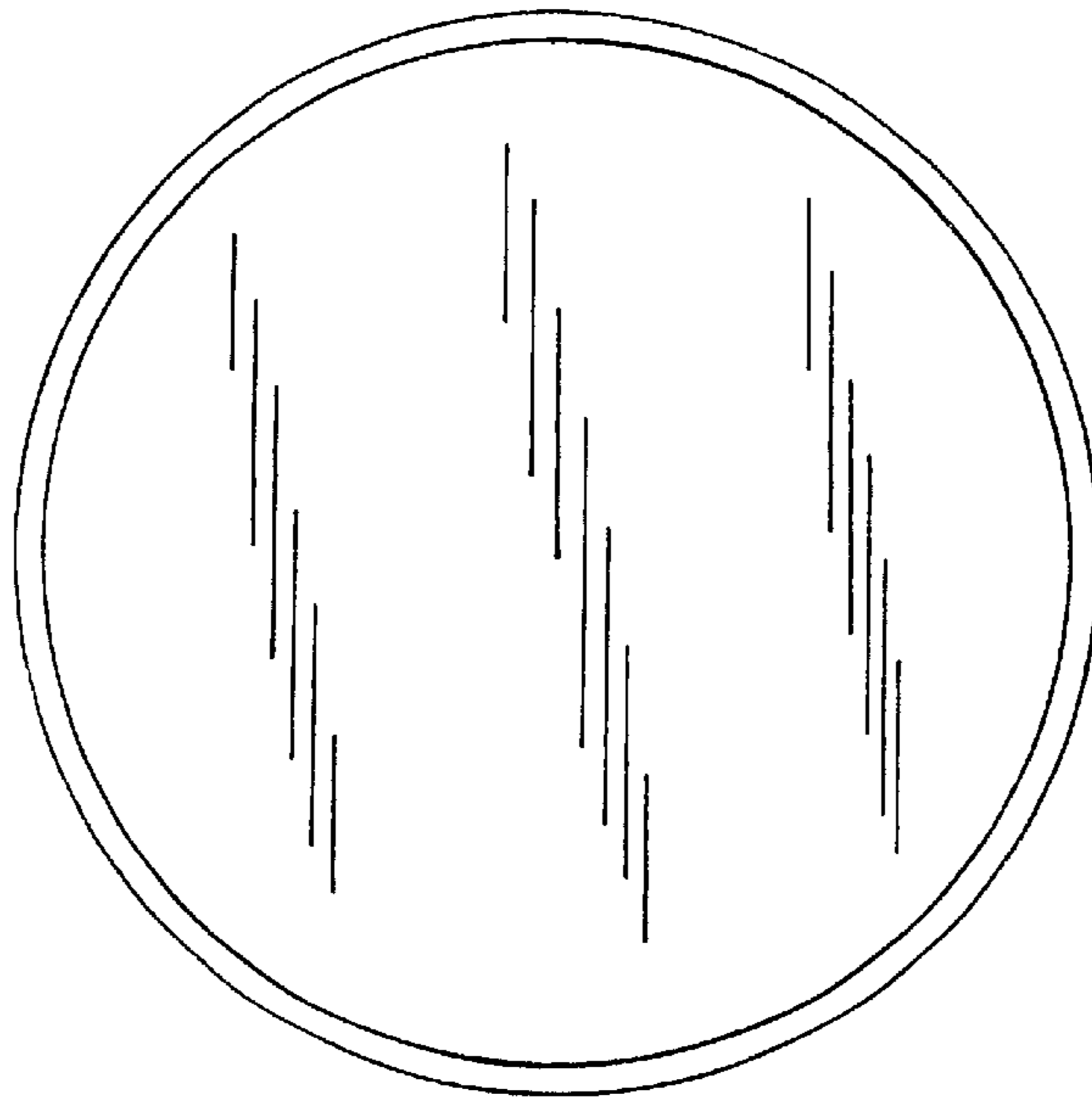


FIG. 11

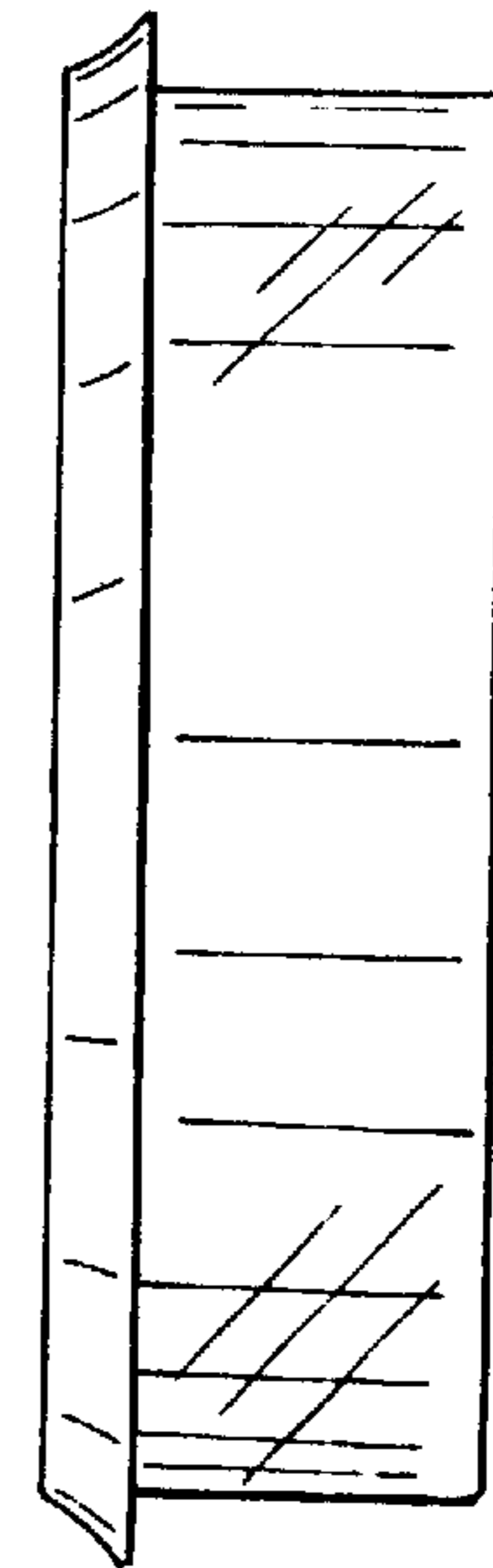


FIG. 14

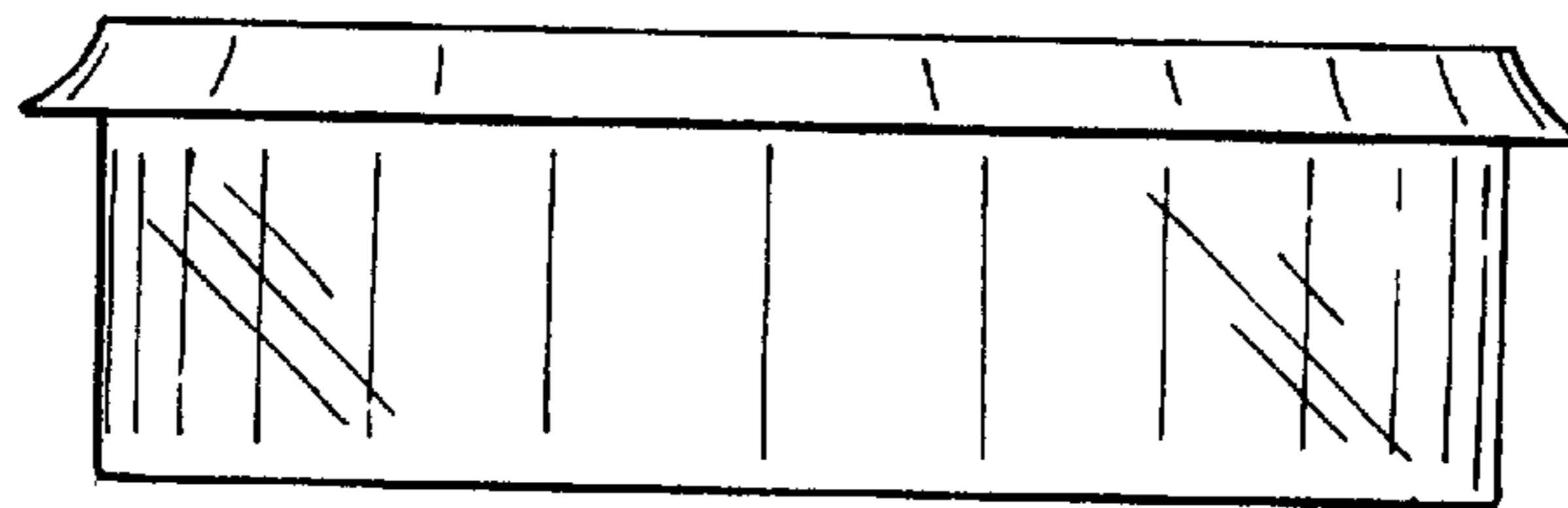


FIG. 12

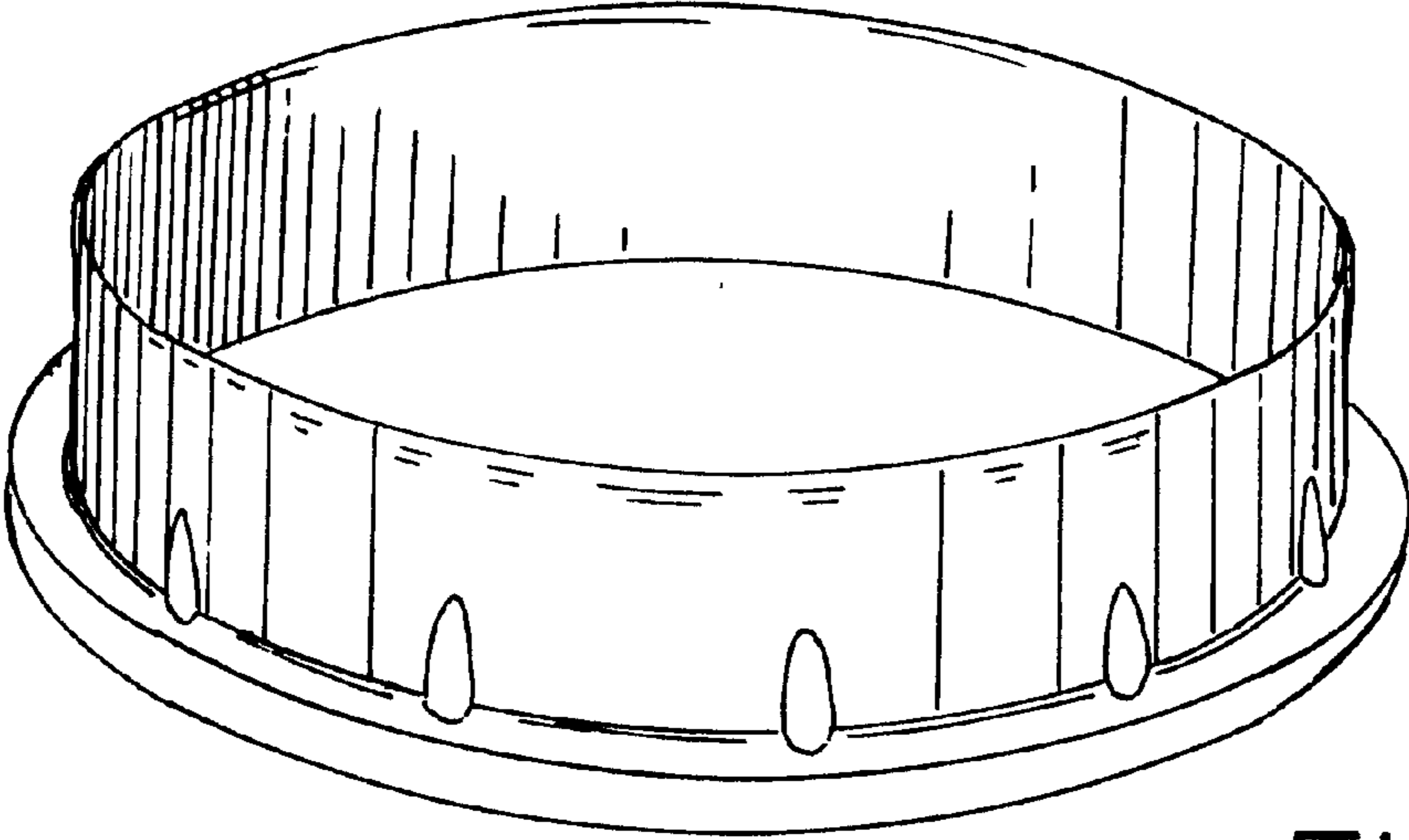


FIG. 15

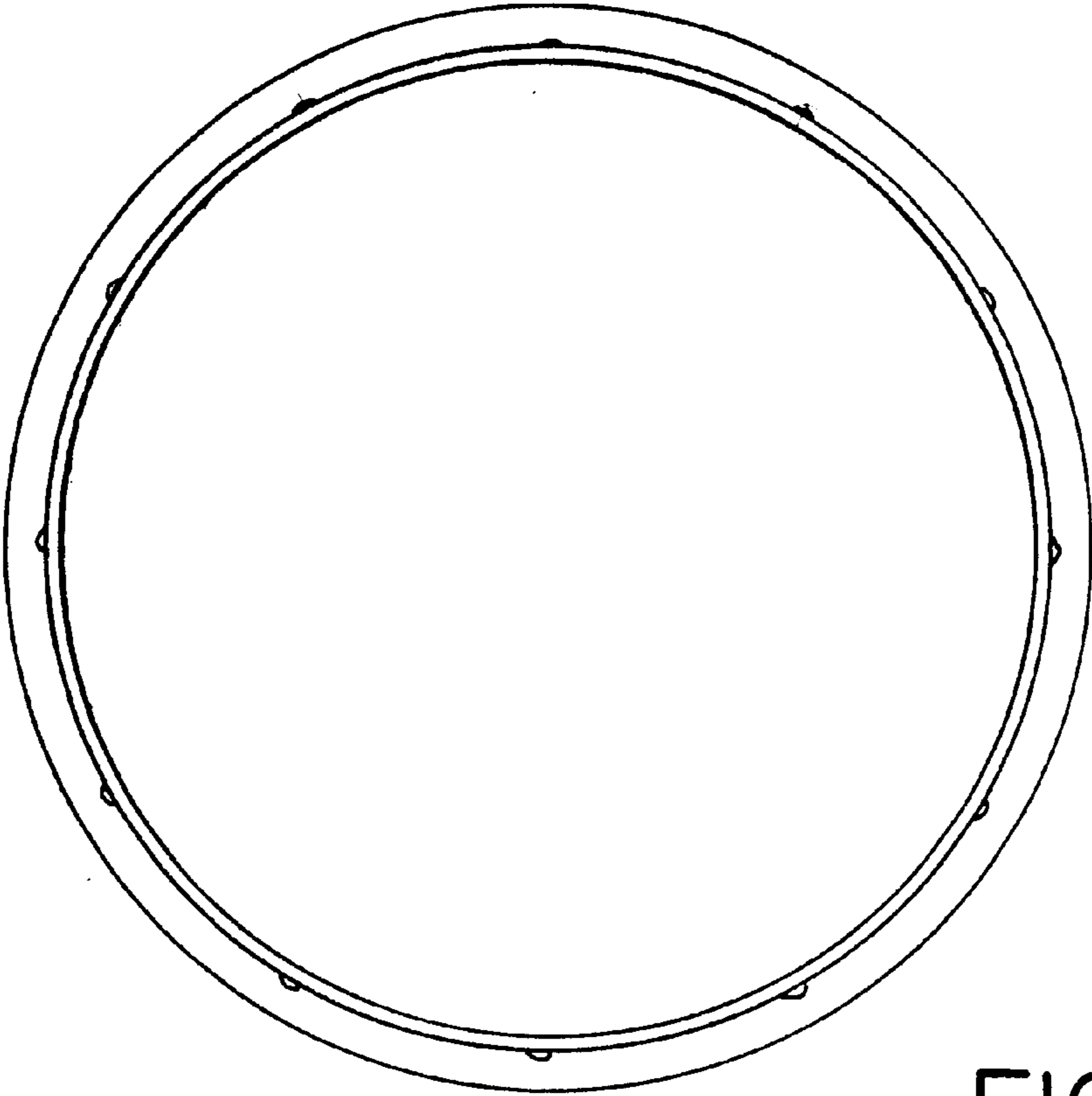


FIG. 16

FIG. 17

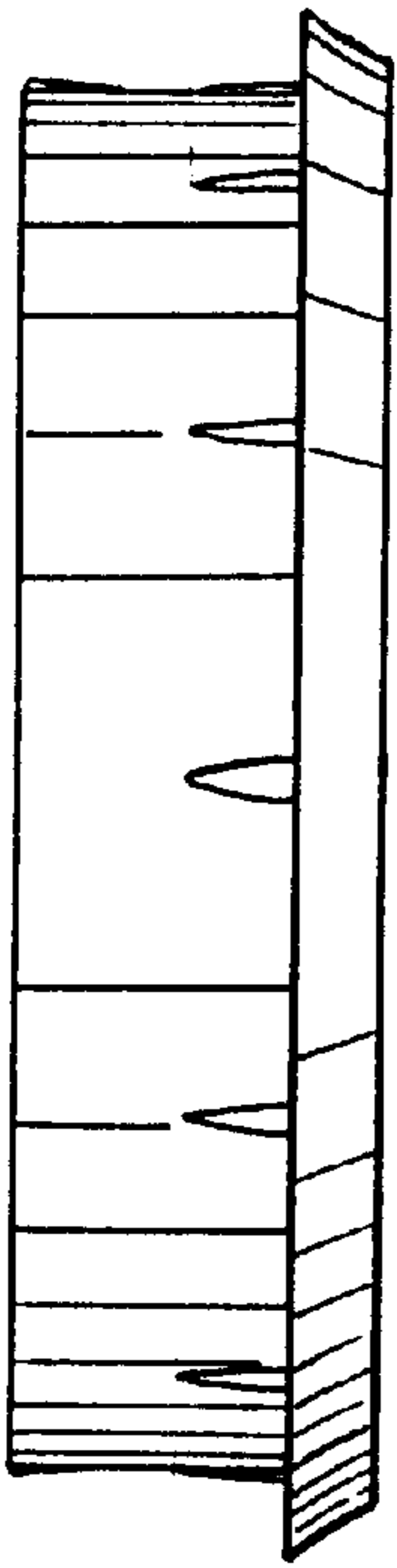
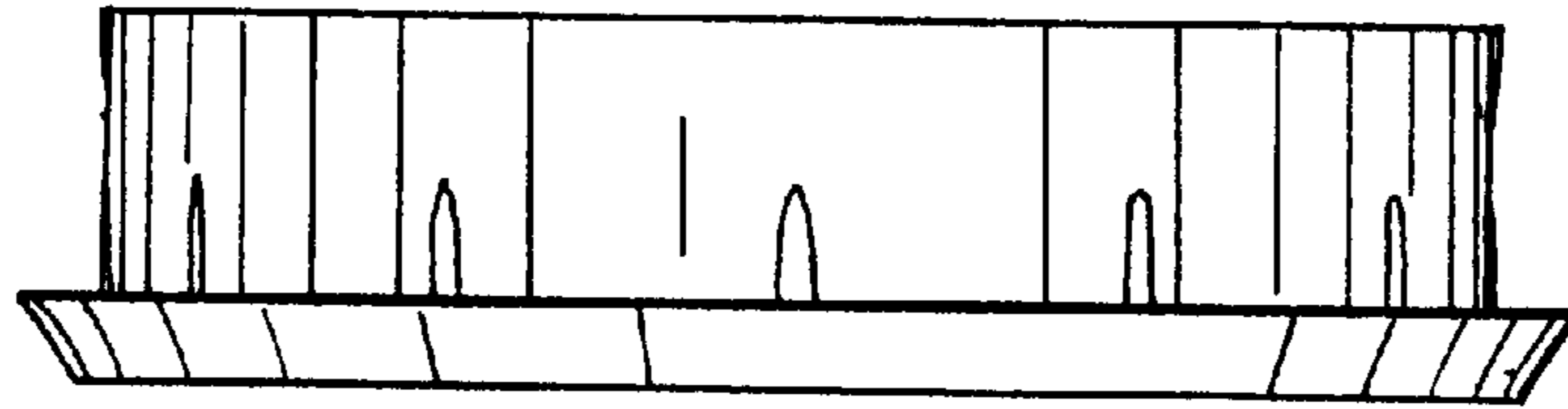


FIG. 20

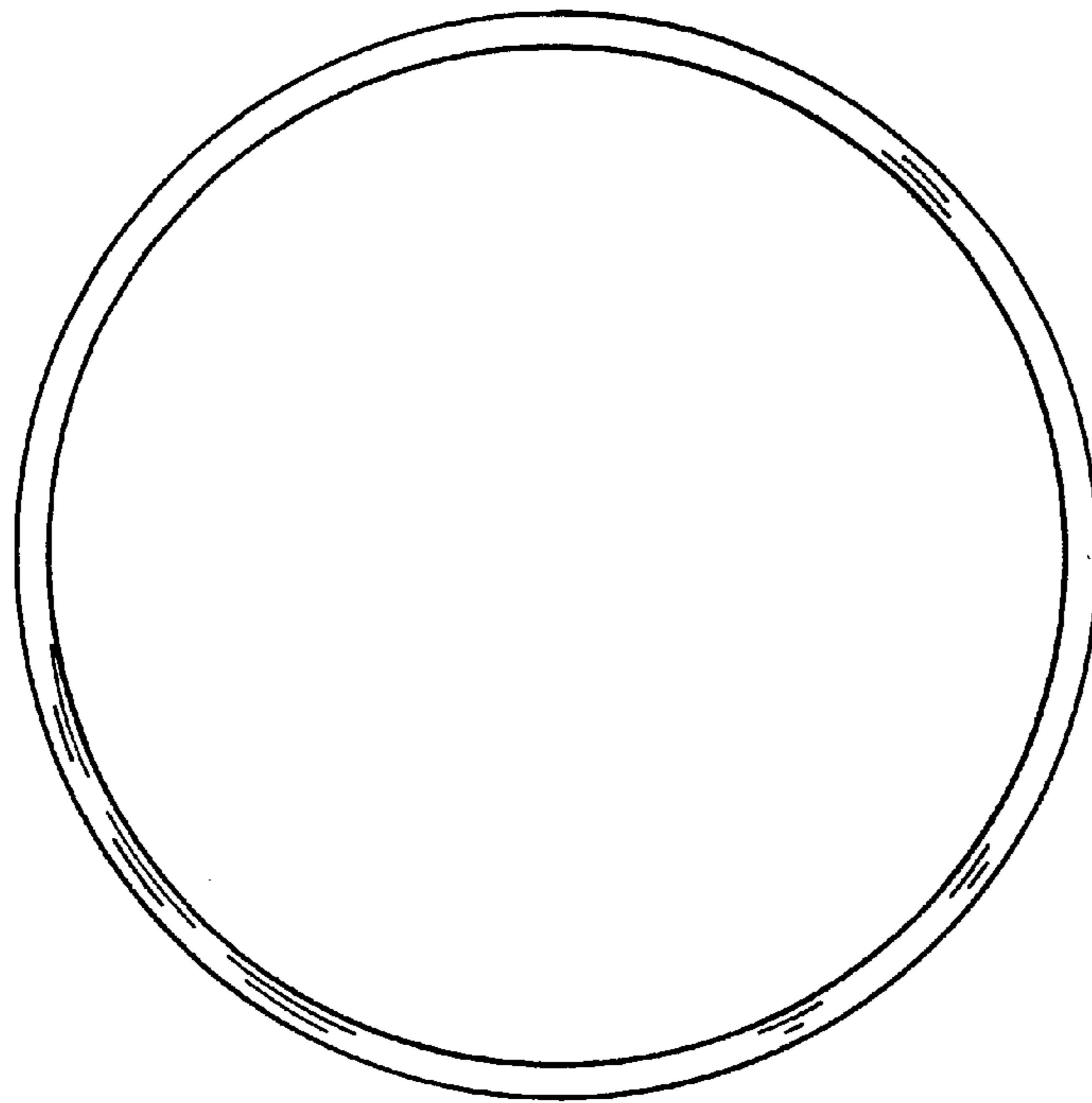


FIG. 18

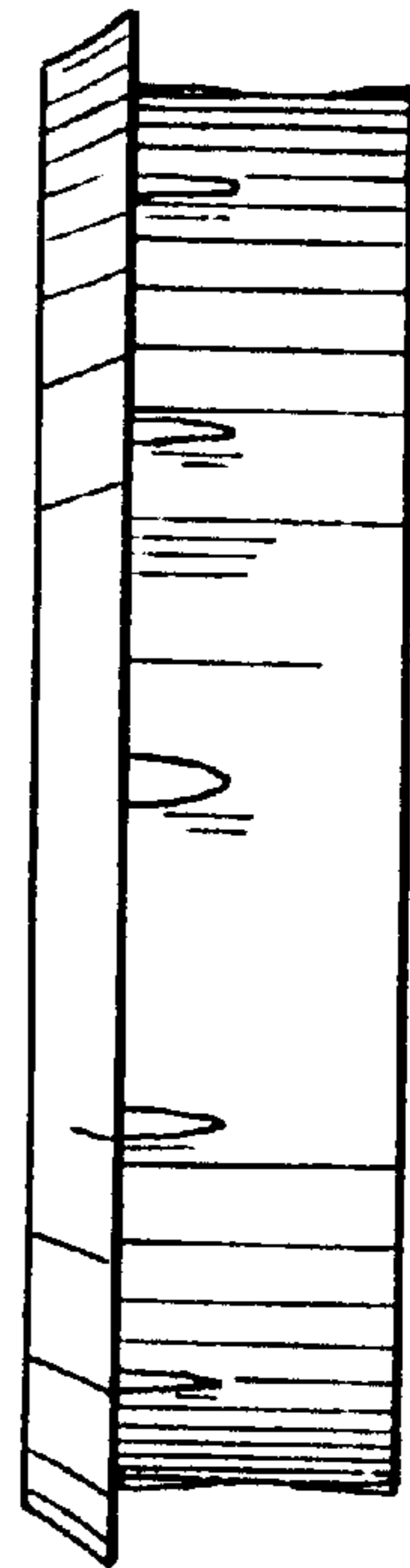


FIG. 21

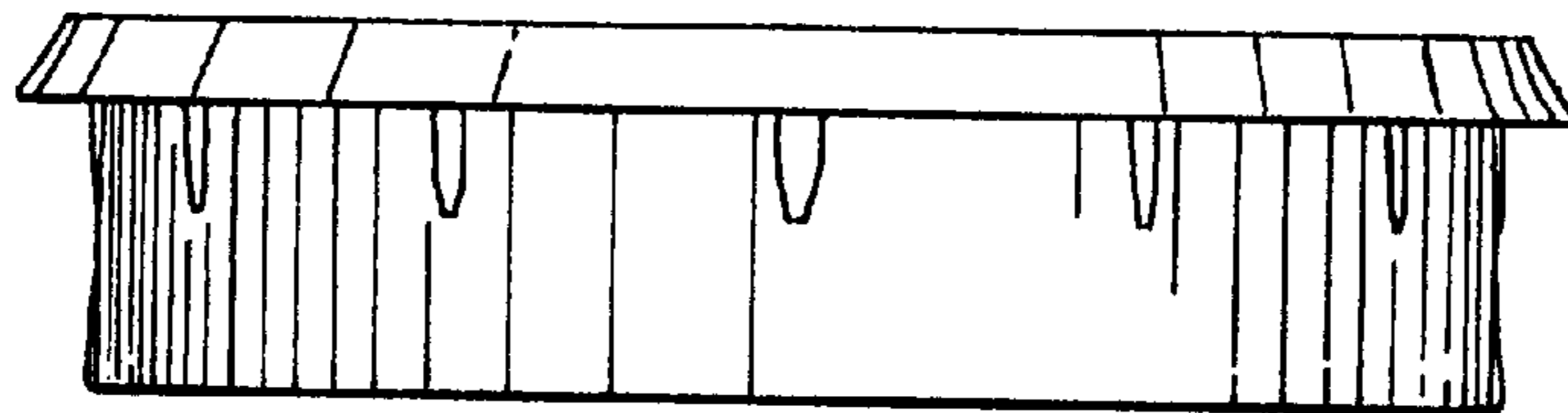


FIG. 19