

US00D493663S1

(12) **United States Design Patent**
Lin et al.

(10) **Patent No.:** **US D493,663 S**
(45) **Date of Patent:** **** Aug. 3, 2004**

(54) **GRILLER**

(75) Inventors: **Fang-Chuan Lin**, Tainan (TW);
Philippe Saltet, Rue De La Perruche
(FR)

(73) Assignee: **Tsann Kuen Enterprise Co., Ltd.**,
Hsin-Chuang (TW)

(**) Term: **14 Years**

(21) Appl. No.: **29/187,643**

(22) Filed: **Aug. 4, 2003**

(51) **LOC (7) Cl.** **07-02**

(52) **U.S. Cl.** **D7/347**

(58) **Field of Search** D7/347, 323-353,
D7/362; 99/372-379; 219/524-525

(56) **References Cited**

U.S. PATENT DOCUMENTS

D182,273 S * 3/1958 Connolly D7/338
D347,548 S * 6/1994 Boehm et al. D7/352

D369,269 S * 4/1996 Labadia Del Fresno D7/352
D380,642 S * 7/1997 Negru D7/323
D441,594 S * 5/2001 Park D7/347
D462,229 S * 9/2002 Wu D7/352

* cited by examiner

Primary Examiner—Catherine R. Oliver

(74) *Attorney, Agent, or Firm*—MacPherson Kwok Chen &
Heid LLP

(57) **CLAIM**

The ornamental design for griller, as shown and described.

DESCRIPTION

FIG. 1 is a perspective view of griller showing our new design;

FIG. 2 is a front elevational view thereof;

FIG. 3 is a rear elevational view thereof;

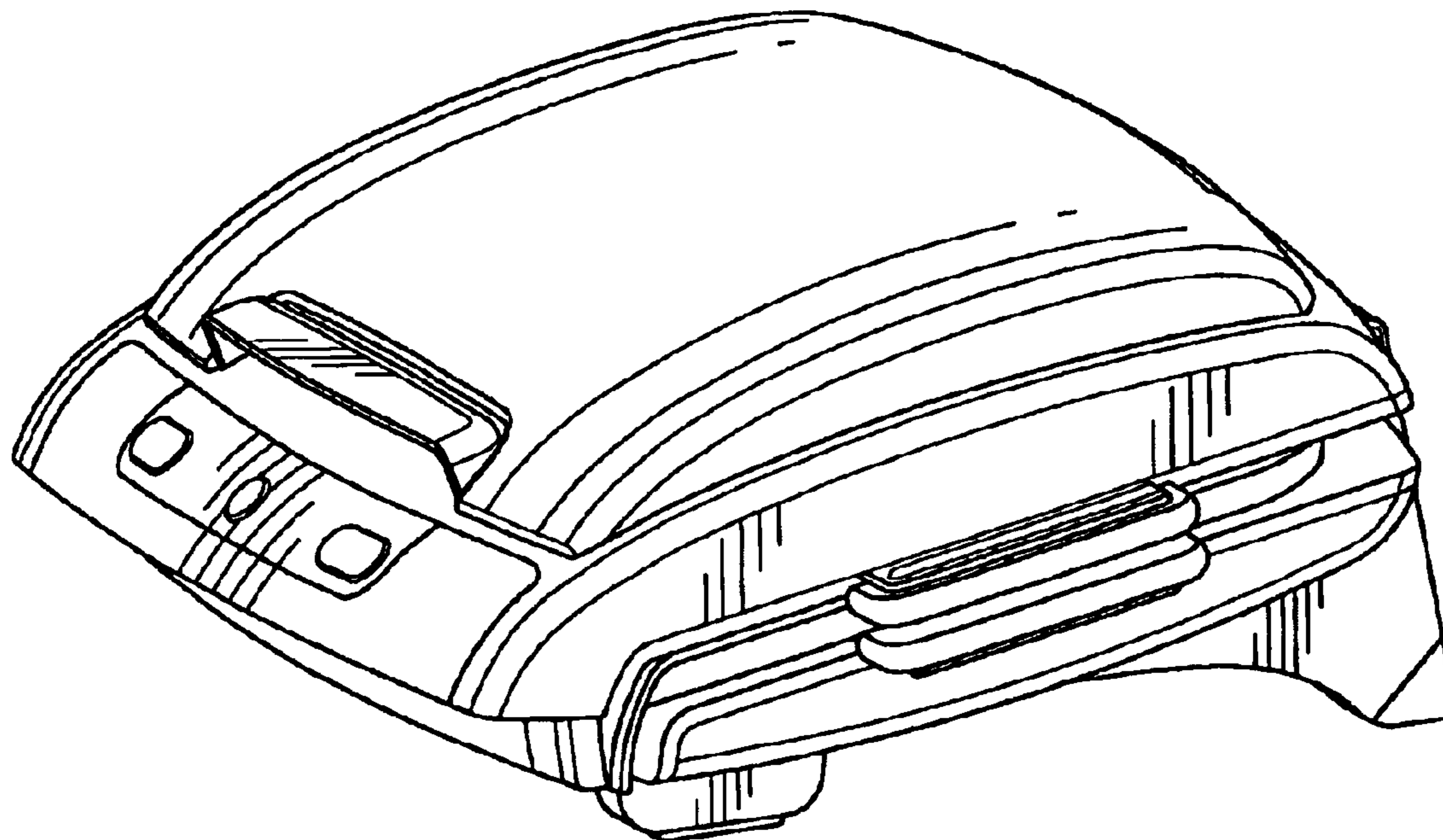
FIG. 4 is a left side elevational view thereof;

FIG. 5 is a right side elevational view thereof;

FIG. 6 is a top plan view thereof; and,

FIG. 7 is a bottom plan view thereof.

1 Claim, 4 Drawing Sheets



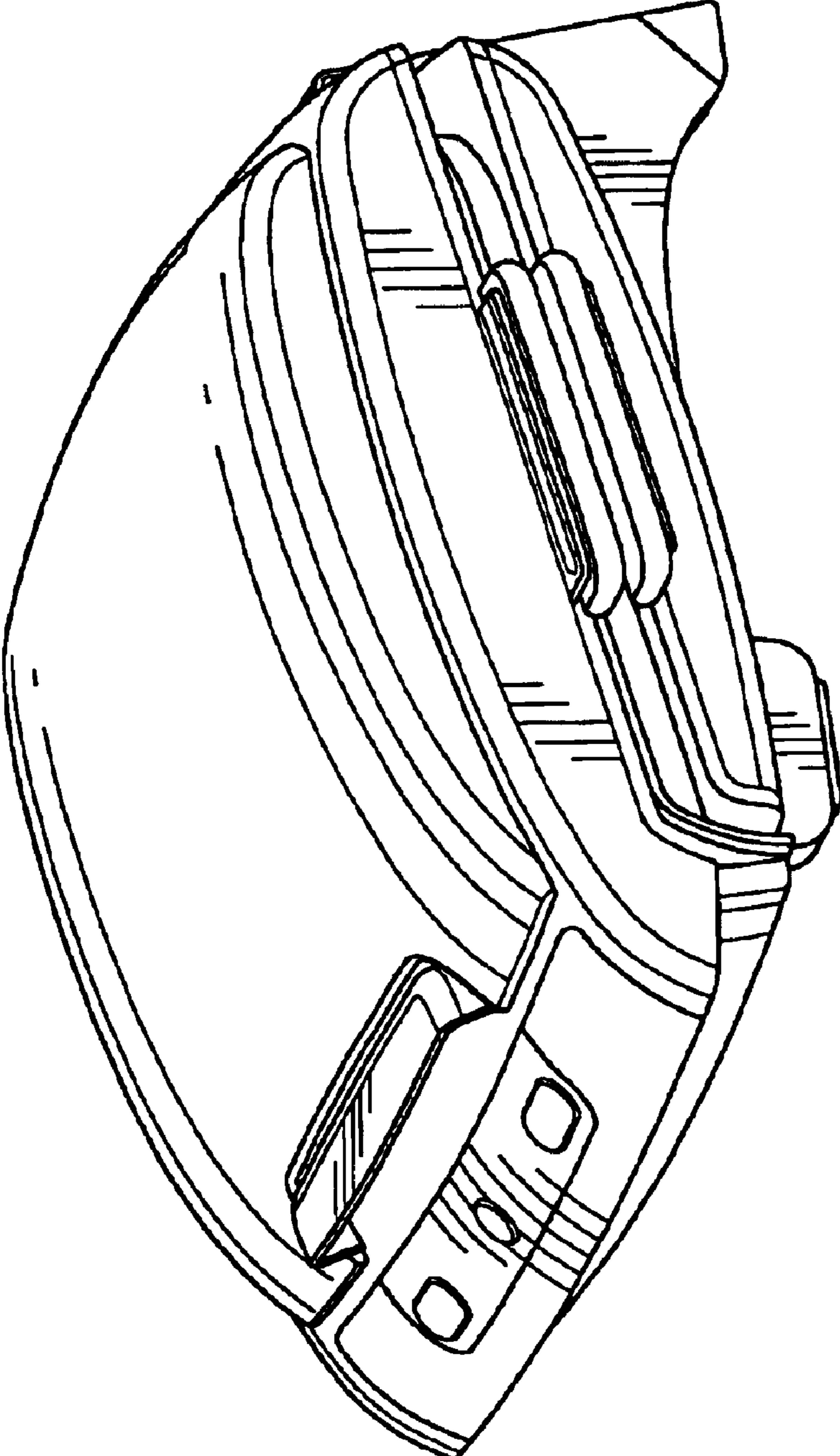


FIG. 1

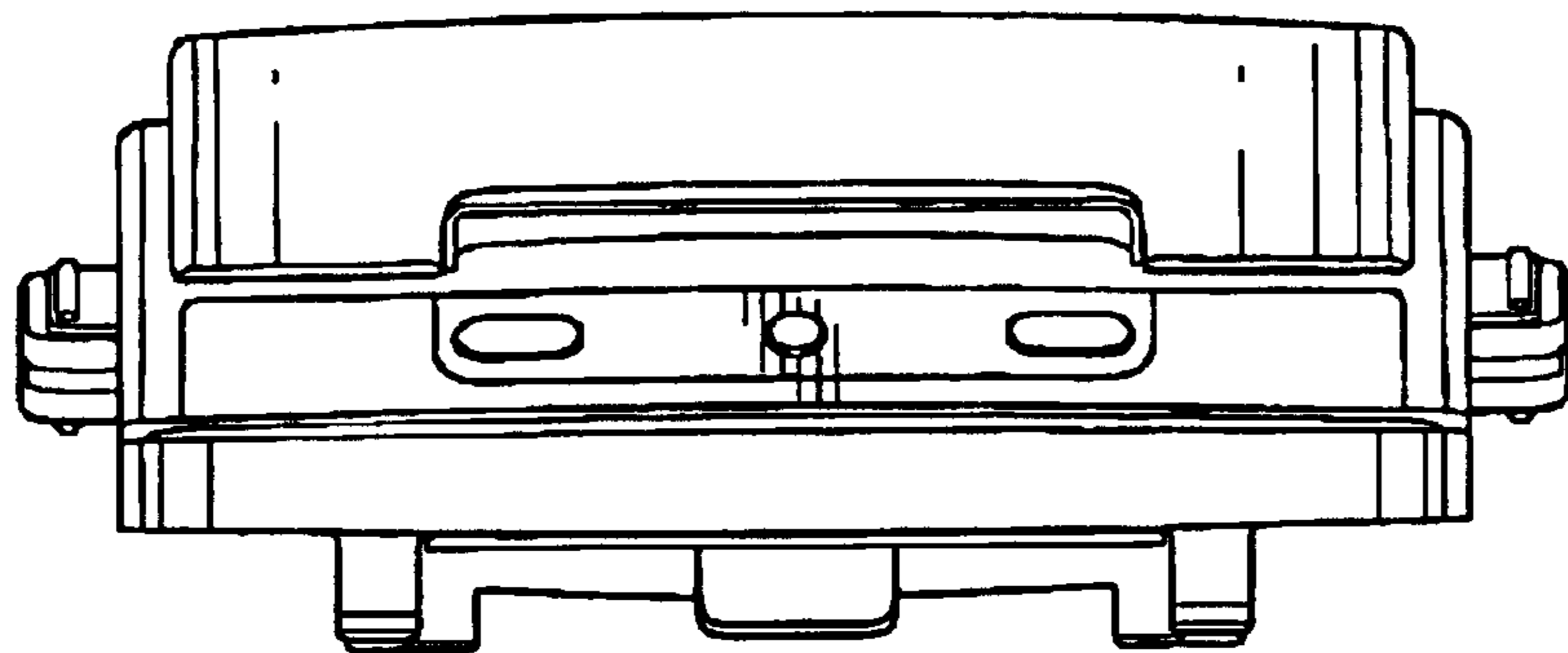


FIG. 2

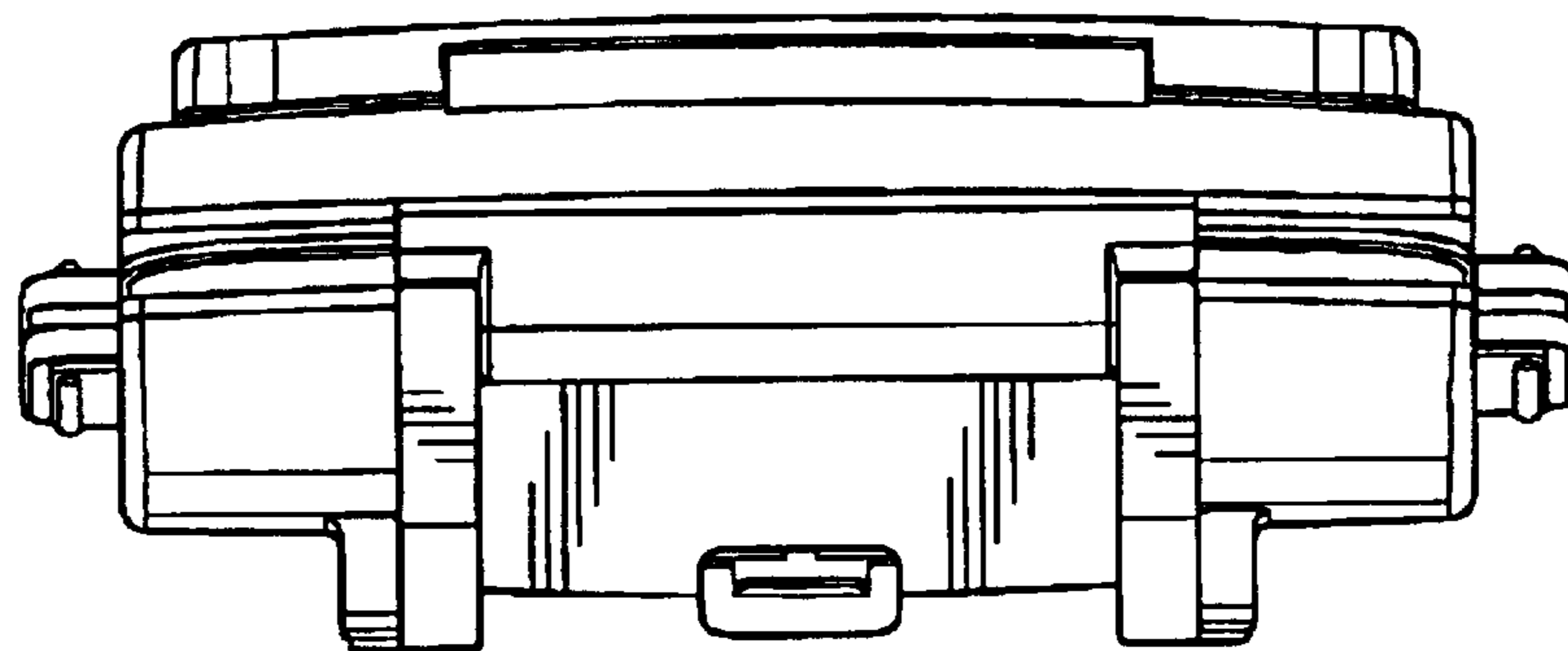


FIG. 3

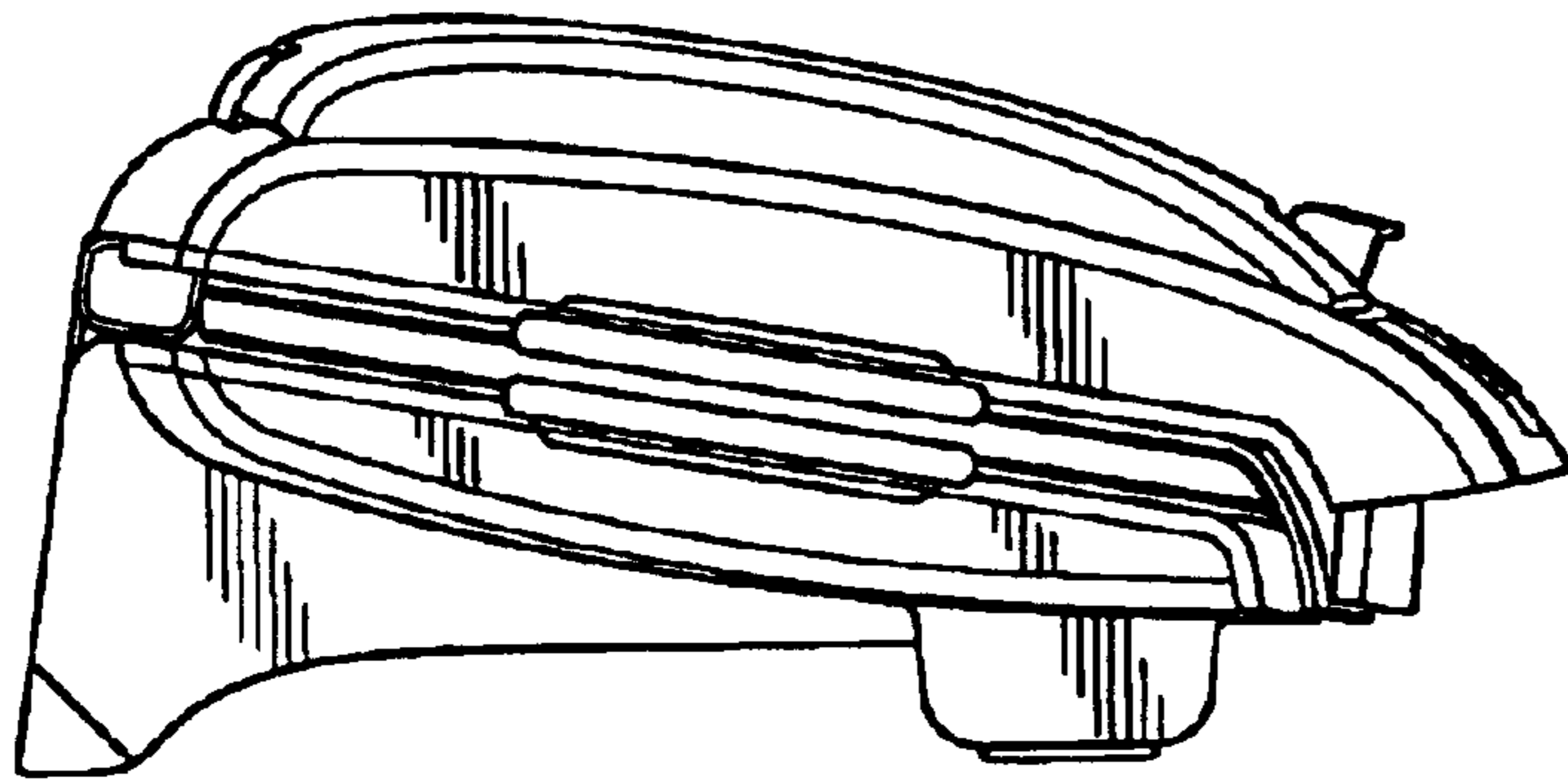


FIG. 4

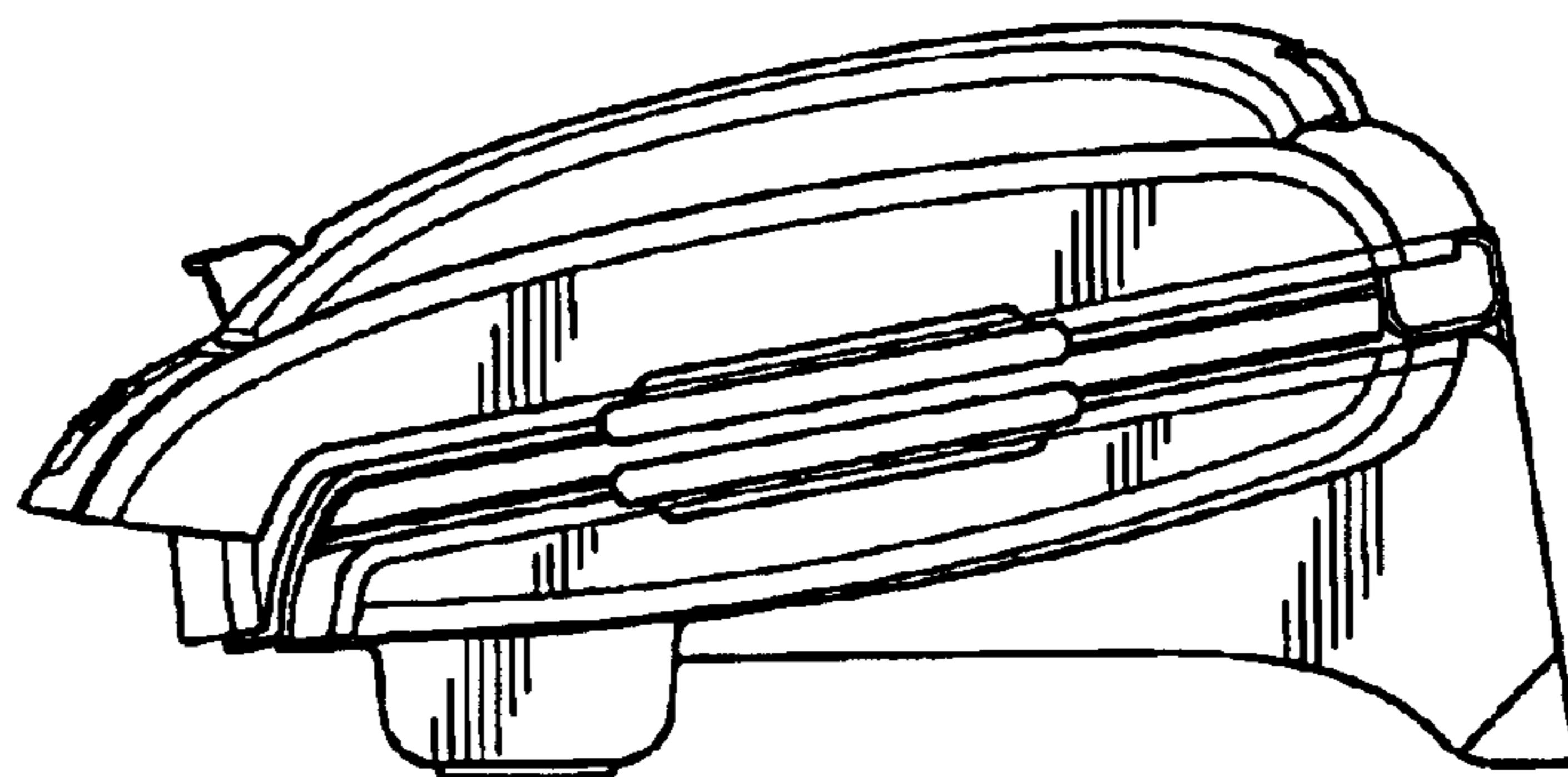


FIG. 5

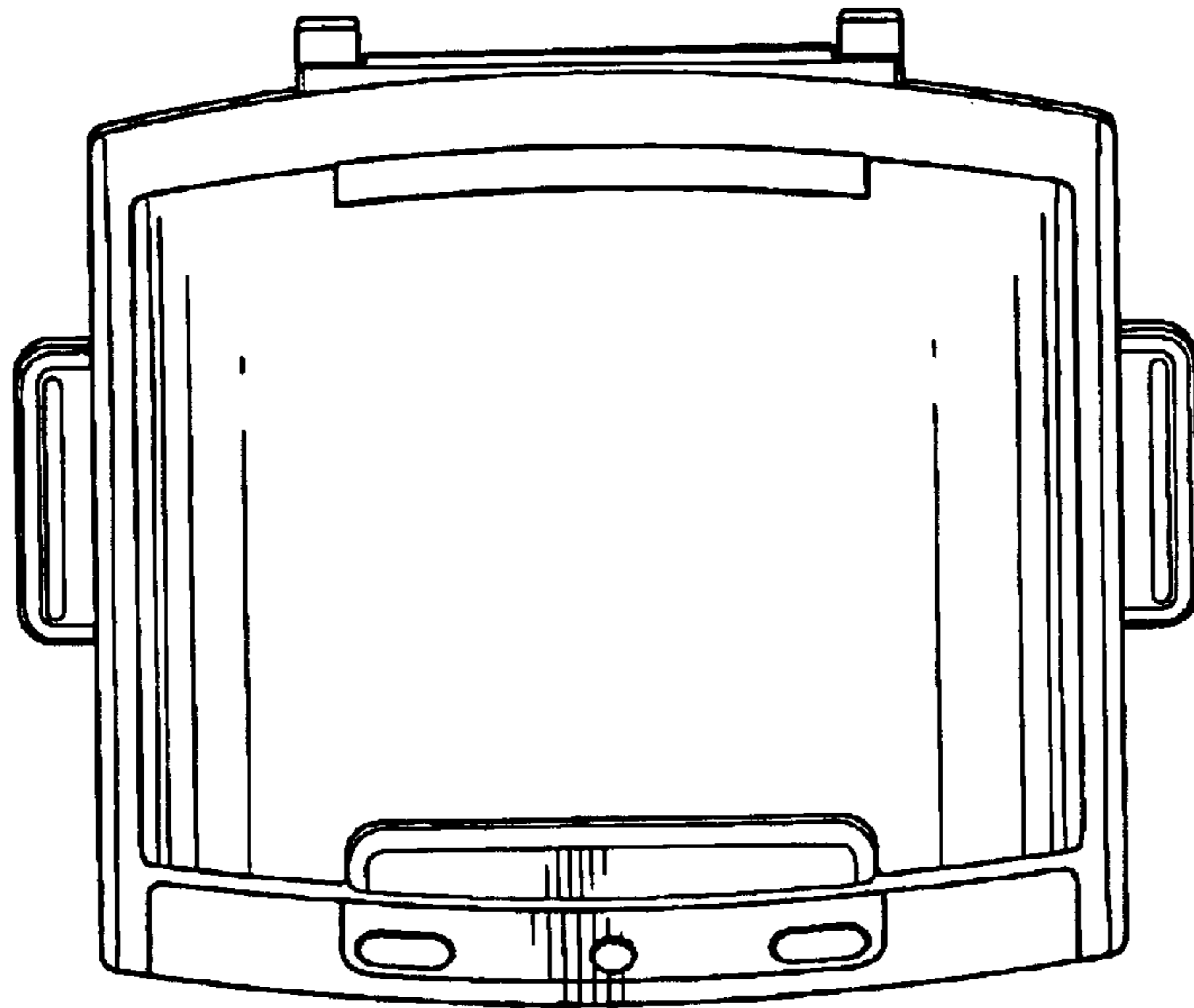


FIG. 6

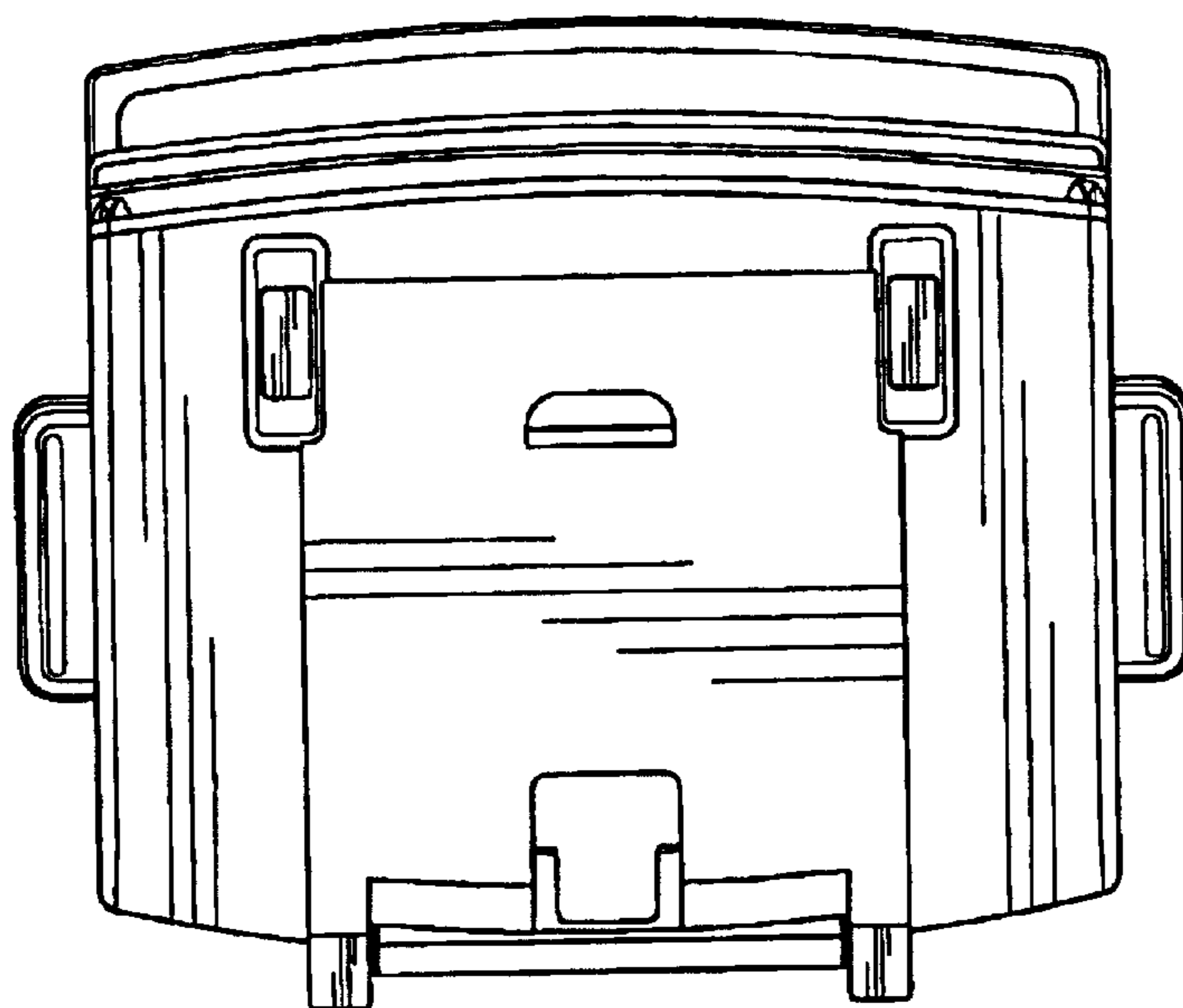


FIG. 7