

US00D493662S1

(12) **United States Design Patent**  
**Bodum**

(10) **Patent No.:** **US D493,662 S**

(45) **Date of Patent:** **\*\* Aug. 3, 2004**

(54) **FRENCH PRESS 8 CUP COFFEE MAKER**

D457,377 S \* 5/2002 Jorgensen ..... D7/319  
D458,074 S \* 6/2002 Bodum ..... D7/319  
D475,568 S \* 6/2003 Bodum ..... D7/319

(75) Inventor: **Jørgen Bodum**, St. Niklausen (CH)

\* cited by examiner

(73) Assignee: **PI-Design AG**, Triengen (CH)

*Primary Examiner*—M. N. Pandozzi

(\*\*) Term: **14 Years**

(74) *Attorney, Agent, or Firm*—Nath & Associates PLLC;  
Marvin C. Berkowitz

(21) Appl. No.: **29/169,450**

(22) Filed: **Oct. 21, 2002**

(57) **CLAIM**

(30) **Foreign Application Priority Data**

The ornamental design for a french press 8 cup coffee maker,  
as shown and described.

Apr. 24, 2002 (DK) ..... DA 2002 00338

**DESCRIPTION**

(51) **LOC (7) Cl.** ..... **07-01**

(52) **U.S. Cl.** ..... **D7/319; D7/317**

(58) **Field of Search** ..... D7/312, 316, 317,  
D7/318, 319, 511, 300, 321, 598, 413,  
300.1; 220/504, 574, 755; 215/398; 222/146.6,  
465.1, 566; D23/209; 99/279; D10/46.3

FIG. 1 is an oblique perspective view of the french press 8 cup coffee maker;

FIG. 2 is a front view of the french press 8 cup coffee maker, as shown in FIG. 1;

FIG. 3 is a back side view of the french press 8 cup coffee maker;

FIG. 4 is a right side view of the french press 8 cup coffee maker;

FIG. 5 is a left side view of the french press 8 cup coffee maker;

FIG. 6 is a top view of the french press 8 cup coffee maker;

FIG. 7 is a bottom view of the french press 8 cup coffee maker; and,

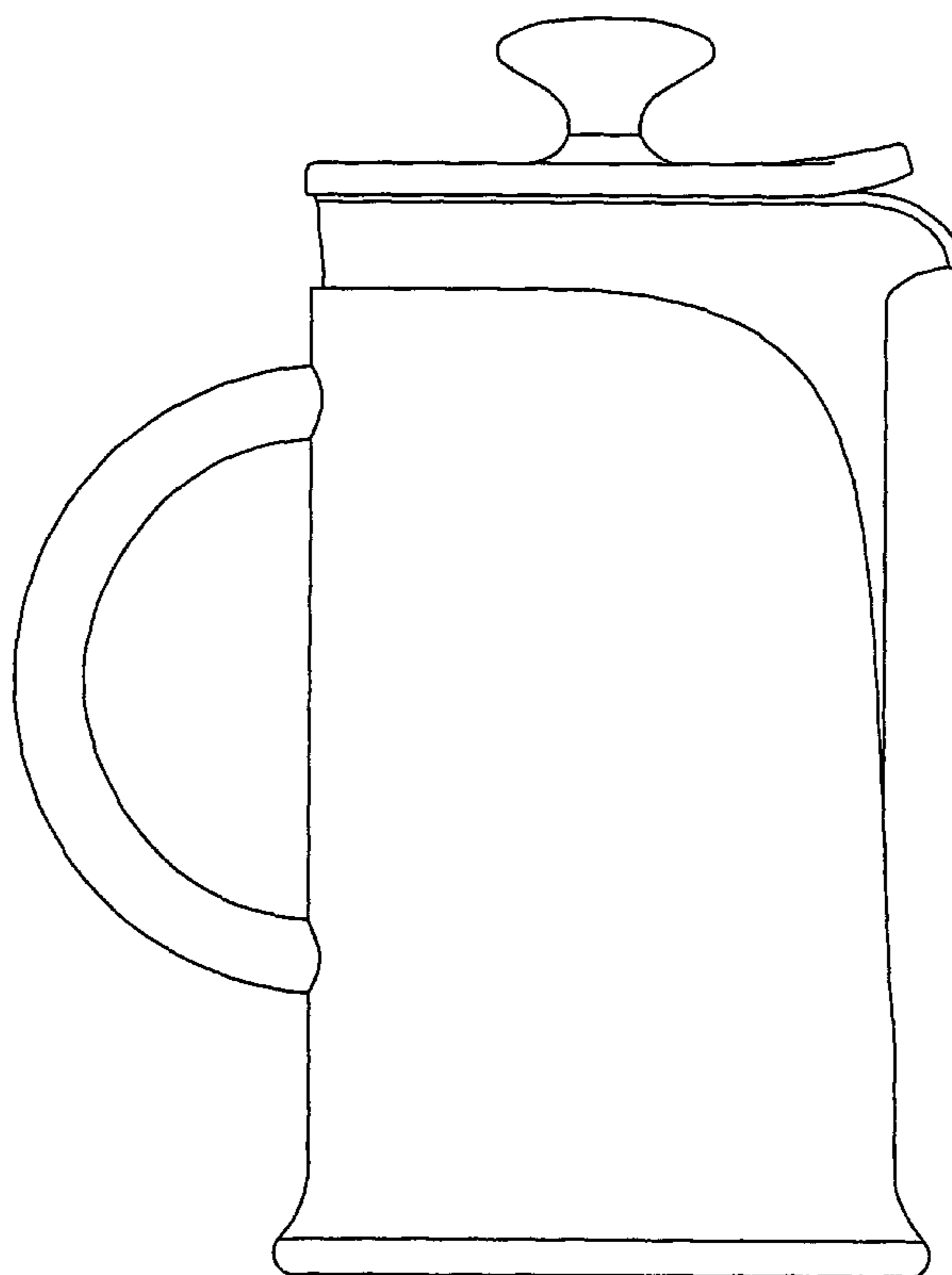
FIG. 8 is a sectional view thereof taken along line 8—8 of FIG. 5.

(56) **References Cited**

**U.S. PATENT DOCUMENTS**

D283,584 S \* 4/1986 Morin ..... D7/317  
D289,714 S \* 5/1987 Toffolo ..... D7/300.1  
D322,006 S \* 12/1991 Zimmermann ..... D7/317  
D337,236 S \* 7/1993 Sambinelli ..... D7/317  
D343,333 S \* 1/1994 Jorgensen ..... D7/317  
D343,760 S \* 2/1994 Lin ..... D7/318  
D376,065 S \* 12/1996 Ito et al. .... D7/319  
D383,639 S \* 9/1997 Jorgensen ..... D7/319

**1 Claim, 8 Drawing Sheets**



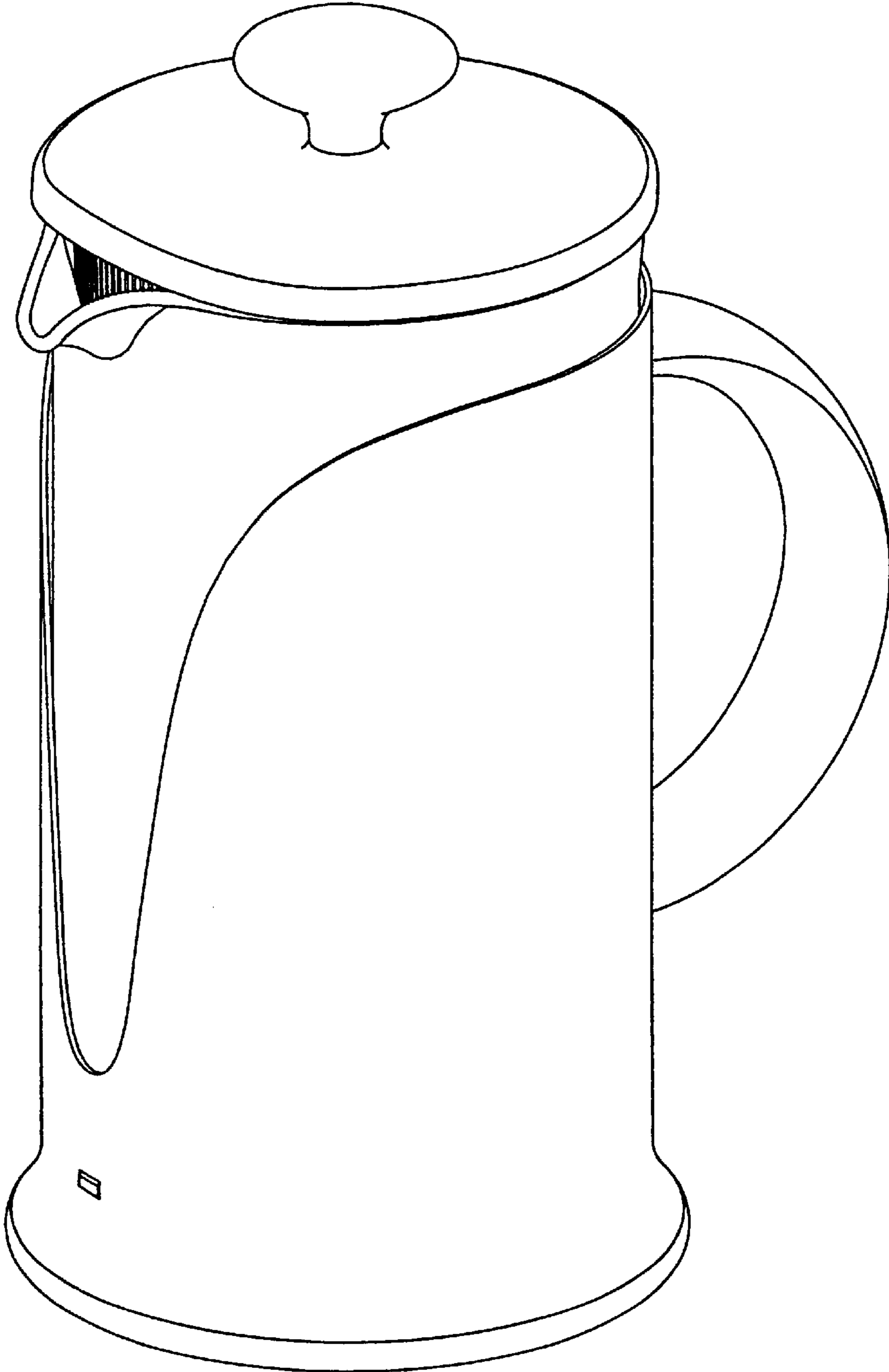


Fig. 1

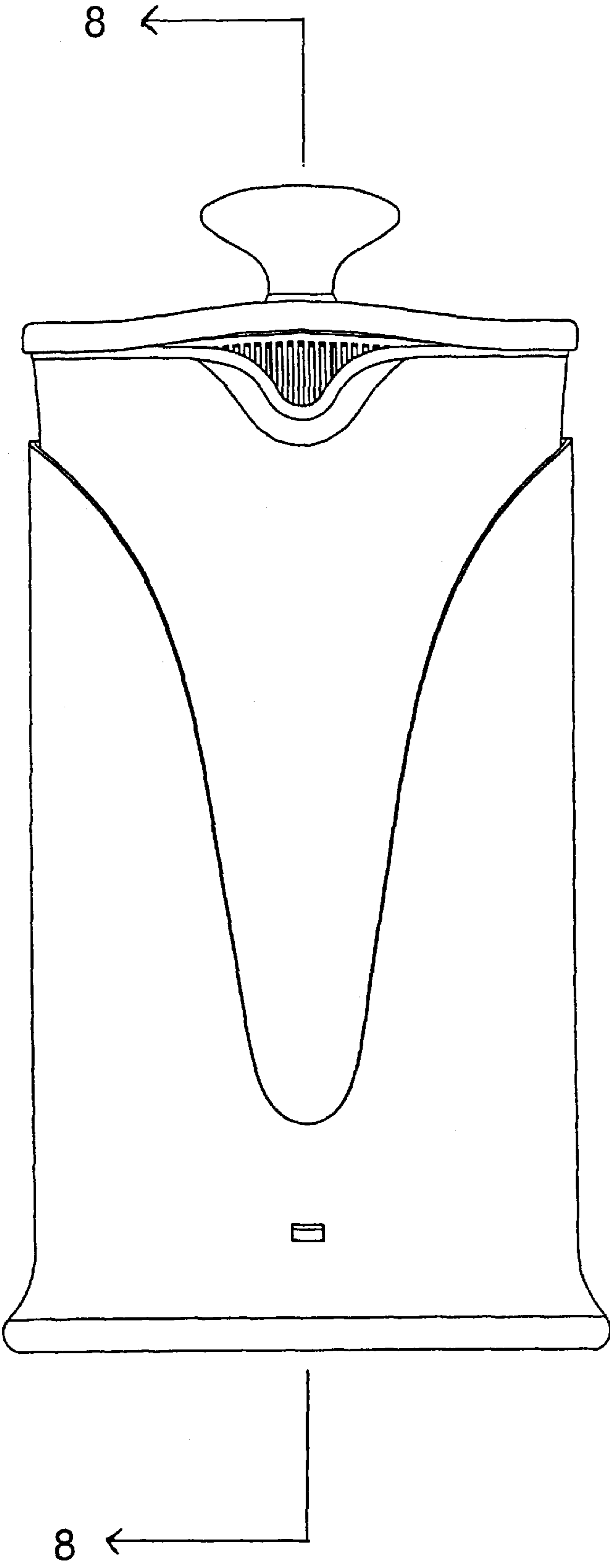


Fig. 2

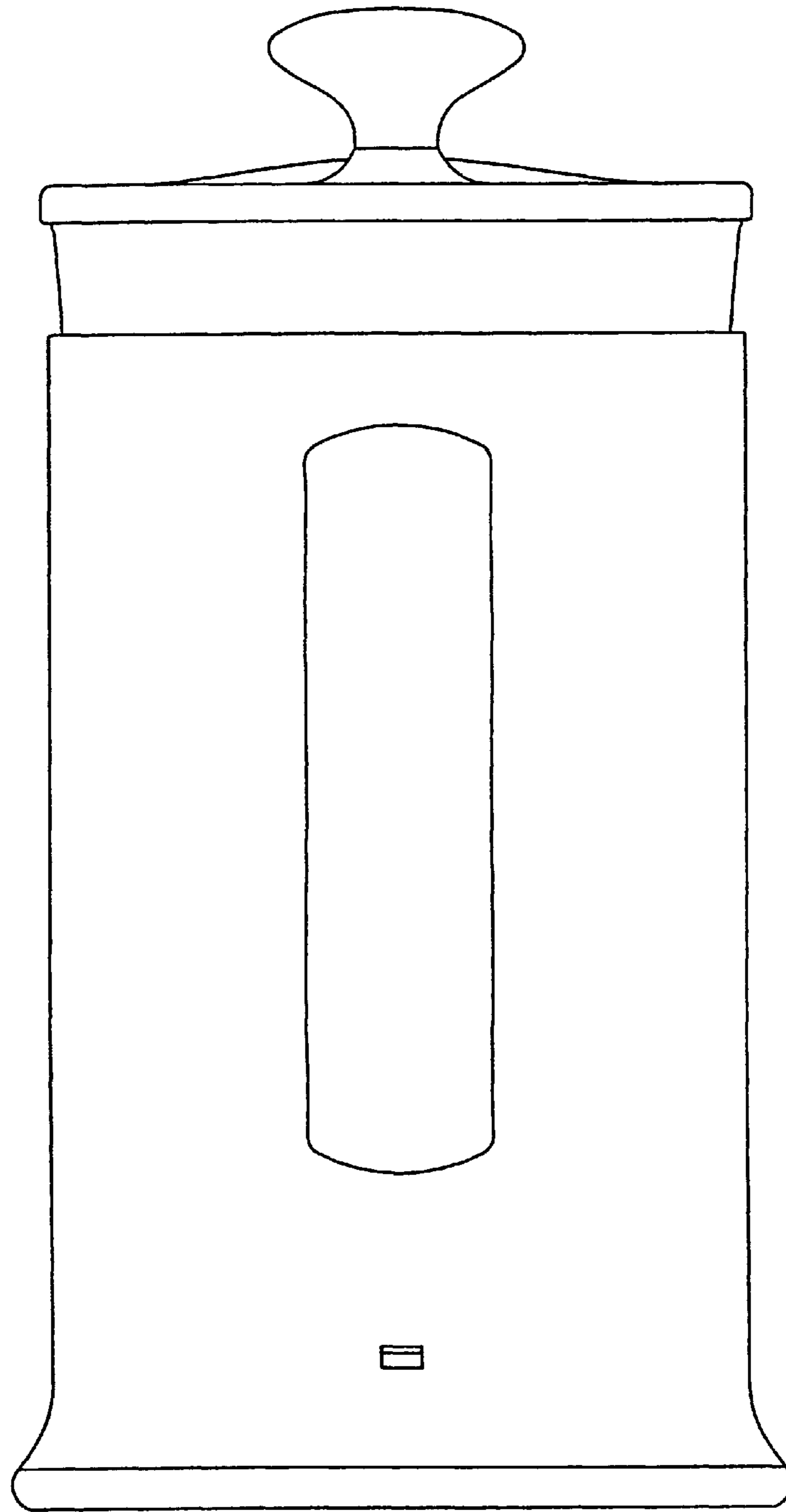


Fig. 3

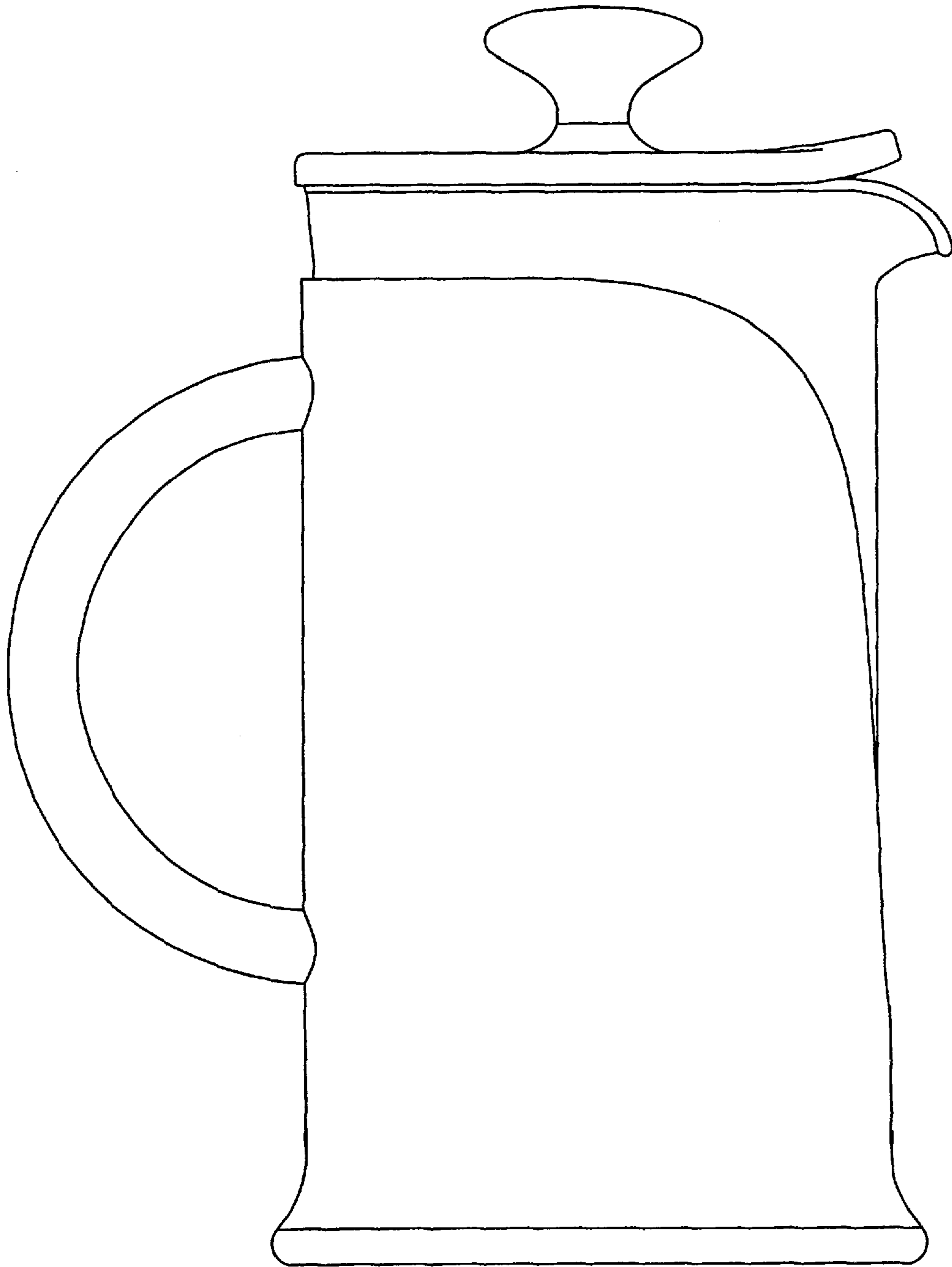


Fig. 4

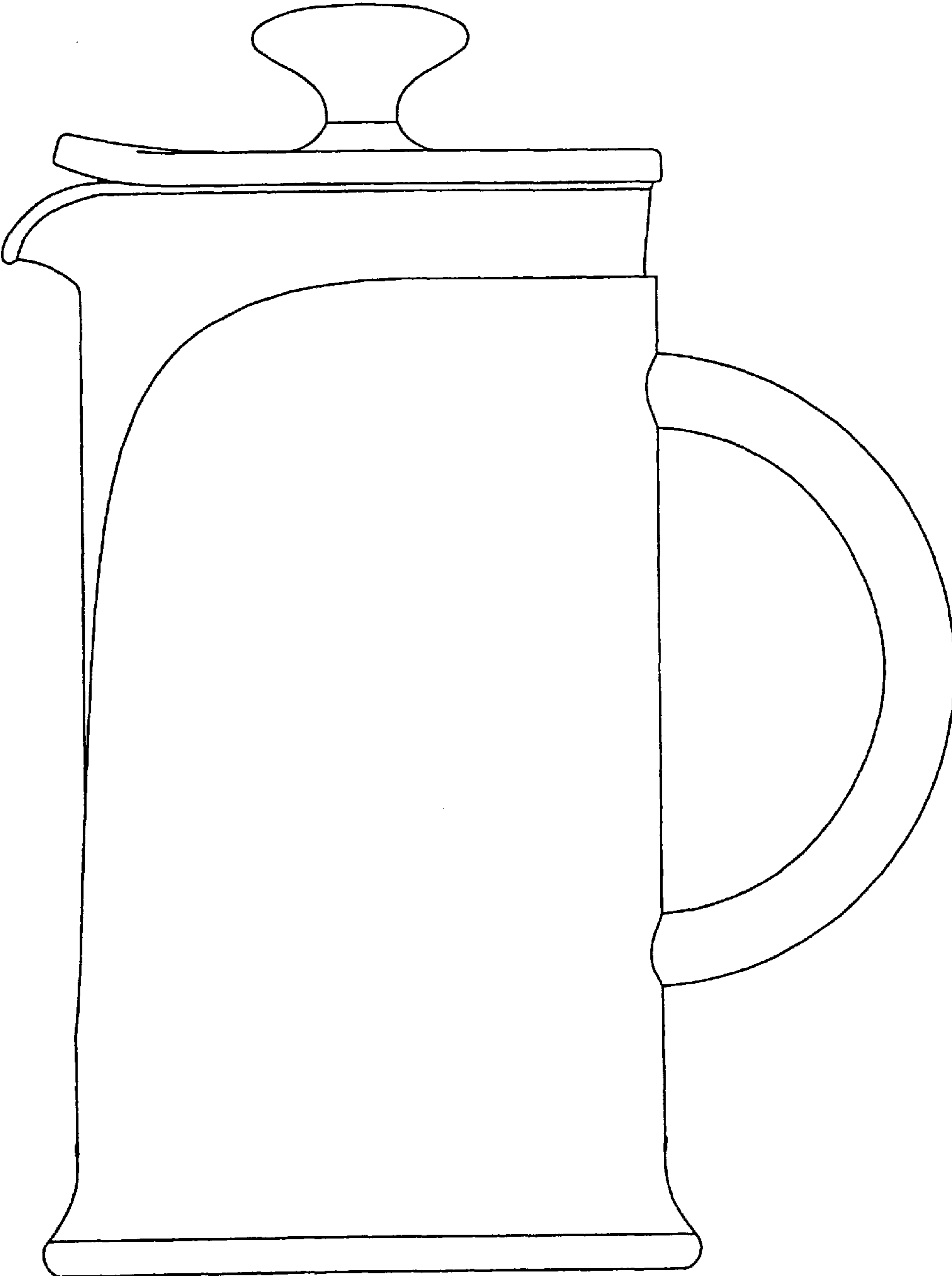


Fig. 5

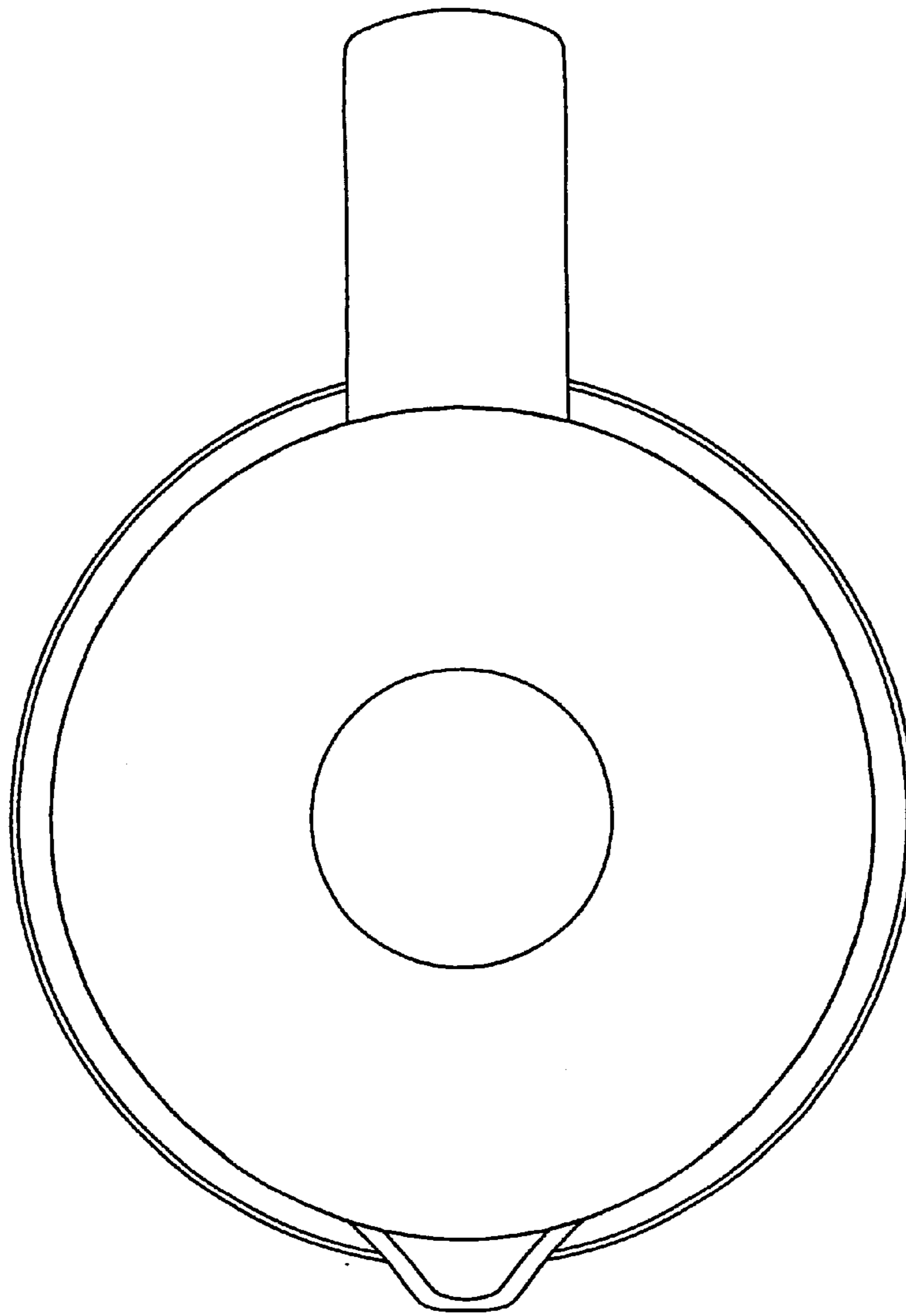


Fig. 6

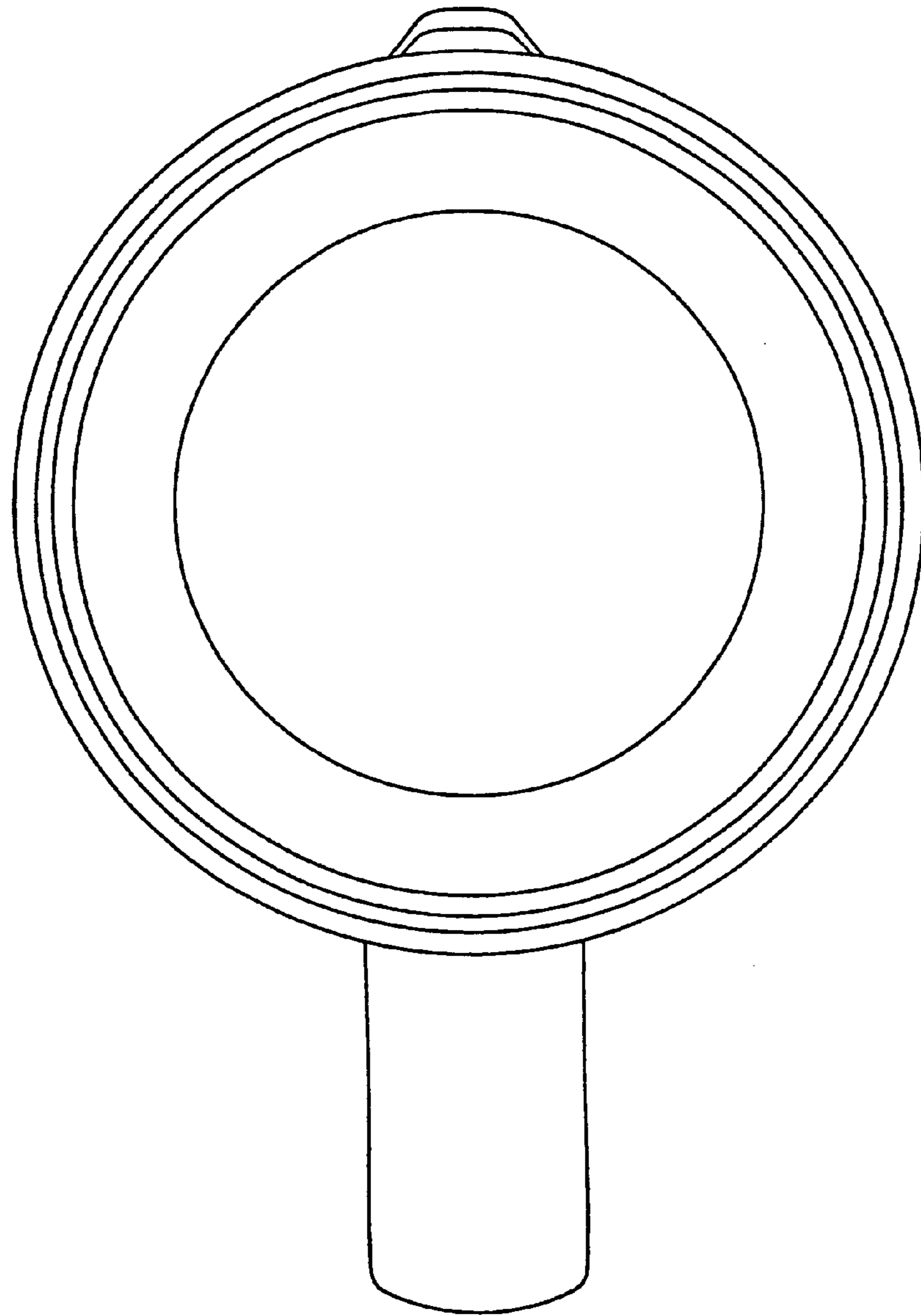


Fig. 7



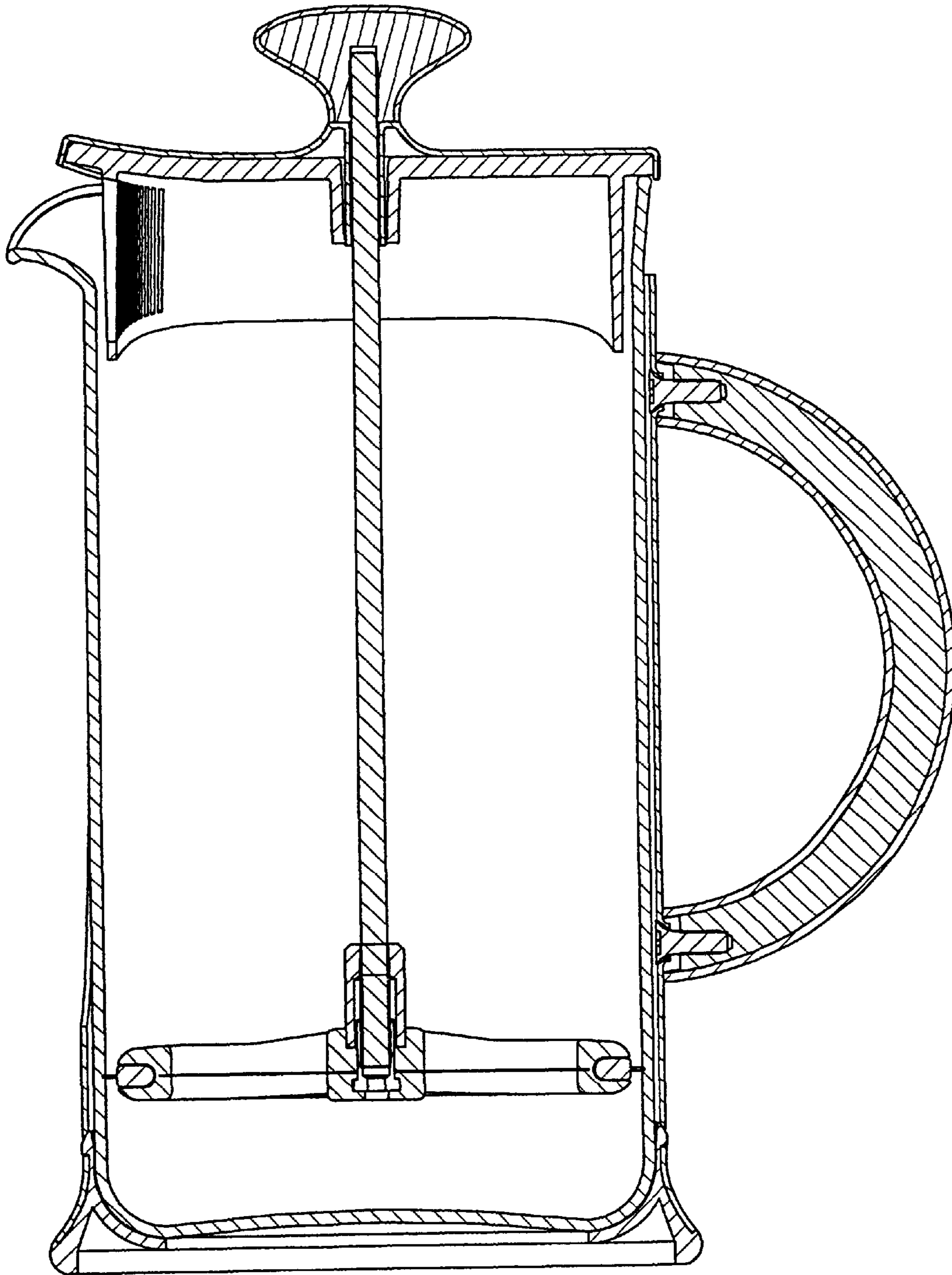


Fig. 8