

US00D493656S1

(12) **United States Design Patent**  
**DeFelice**

(10) **Patent No.:** **US D493,656 S**

(45) **Date of Patent:** **\*\* Aug. 3, 2004**

(54) **KICK STAND PAD**

(76) **Inventor:** **David DeFelice**, 193 Webster Mills Rd.,  
Pittsfield, NH (US) 03263

(\*\*) **Term:** **14 Years**

(21) **Appl. No.:** **29/188,734**

(22) **Filed:** **Aug. 22, 2003**

(51) **LOC (7) Cl.** ..... **06-11**

(52) **U.S. Cl.** ..... **D6/582**

(58) **Field of Search** ..... D6/582, 583, 588;  
D12/203; 296/97.23; 15/215, 216, 217

(56) **References Cited**

**U.S. PATENT DOCUMENTS**

- 4,768,800 A \* 9/1988 Johns ..... 280/293
- D343,542 S \* 1/1994 Bellmore ..... D6/582
- D353,070 S \* 12/1994 Hilton et al. .... D6/582

\* cited by examiner

*Primary Examiner*—Robin V. Taylor

(74) *Attorney, Agent, or Firm*—Steven N. Fox, Esq.

(57) **CLAIM**

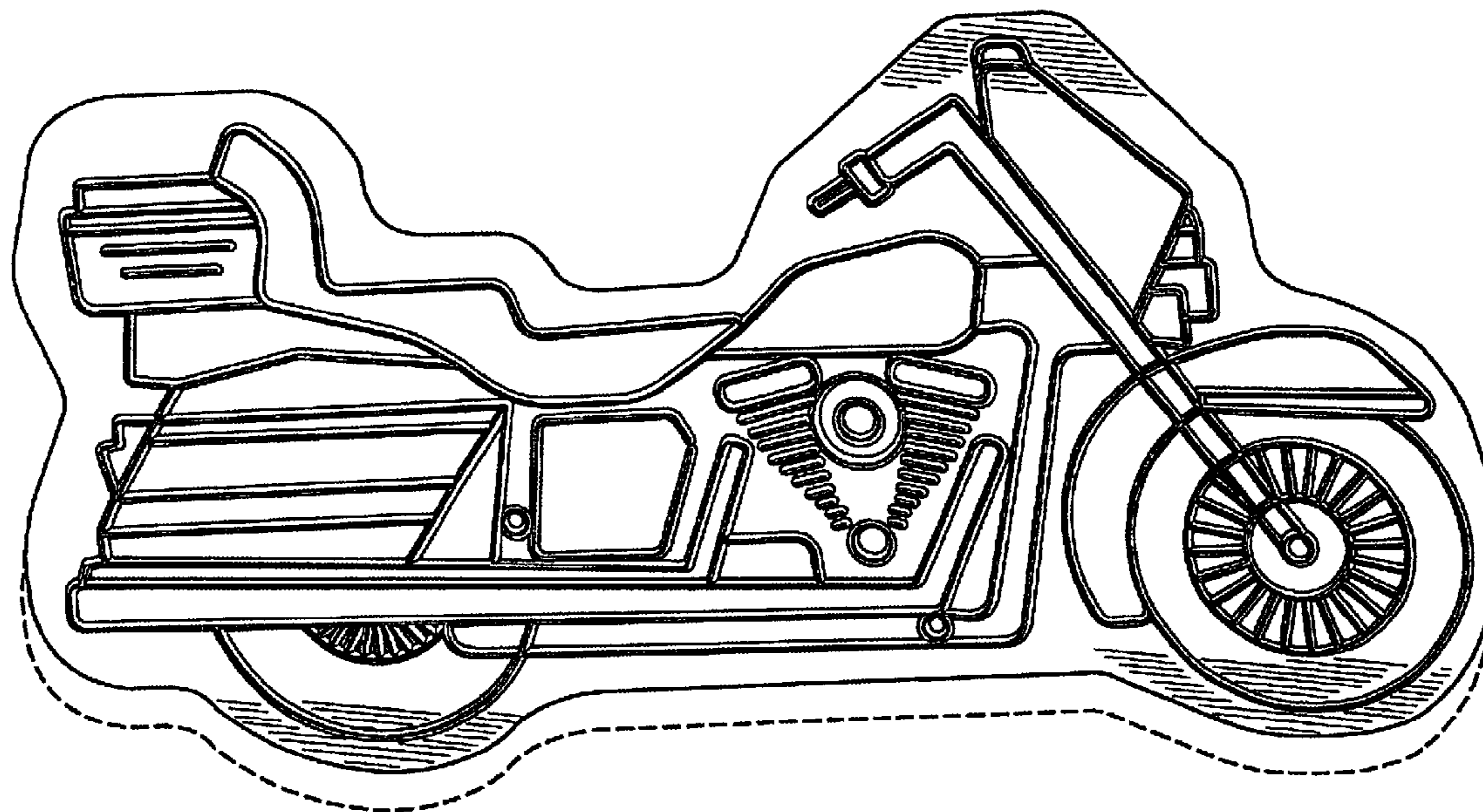
The ornamental design of a “kick stand pad,” as shown and described.

**DESCRIPTION**

FIG. 1 is a perspective view of the present invention;  
FIG. 2 is a top plan view of the present invention;  
FIG. 3 is a side elevation view of the present invention;  
FIG. 4 is a side elevation view of the present invention;  
FIG. 5 is a rear elevation view of the present invention;  
FIG. 6 is a front elevation view of the present invention; and,  
FIG. 7 is a bottom plan view of the present invention.

The broken lines shown in the drawings illustrate environment and do not form any part of the claimed design.

**1 Claim, 3 Drawing Sheets**



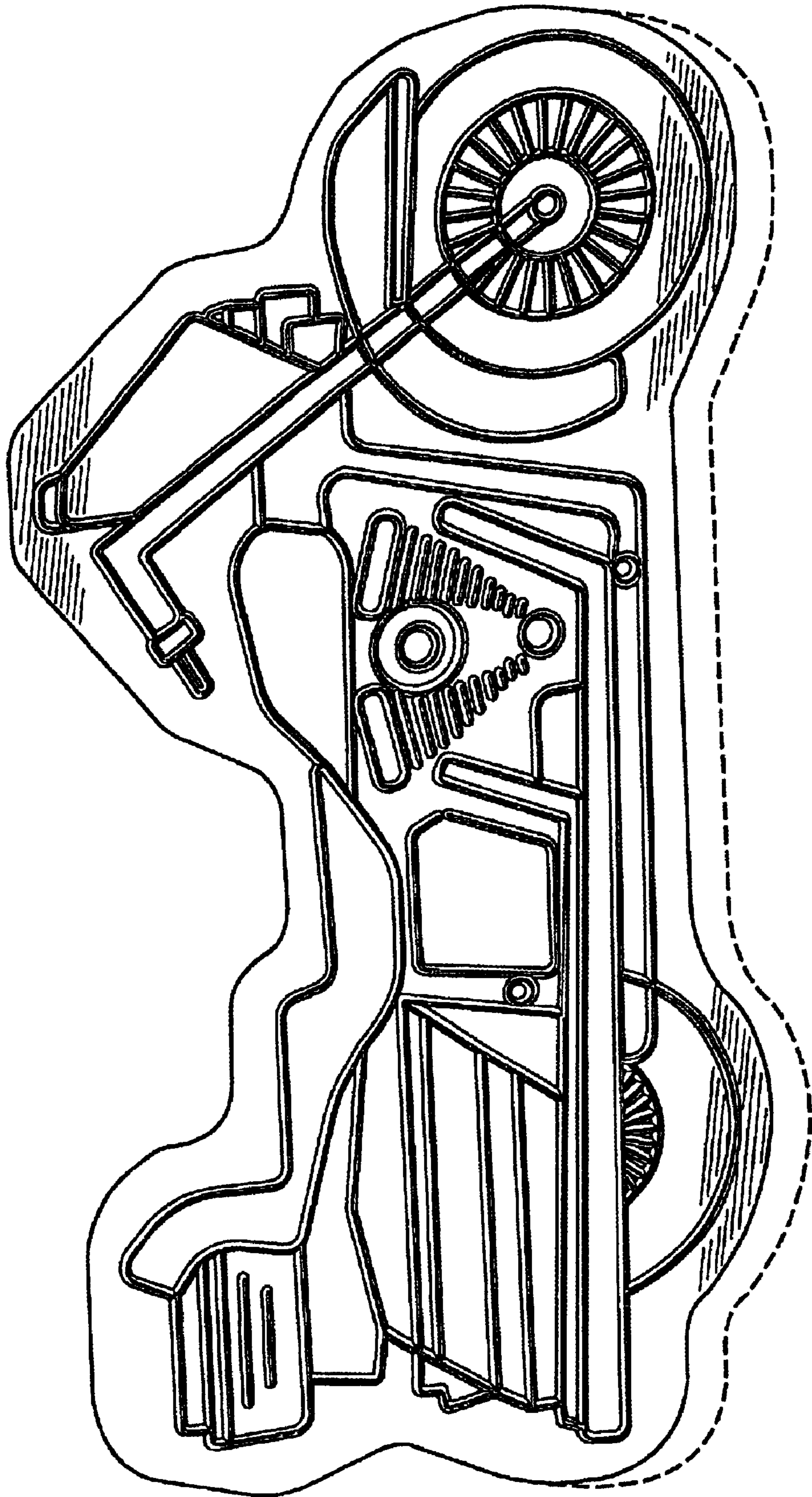


FIG. 1

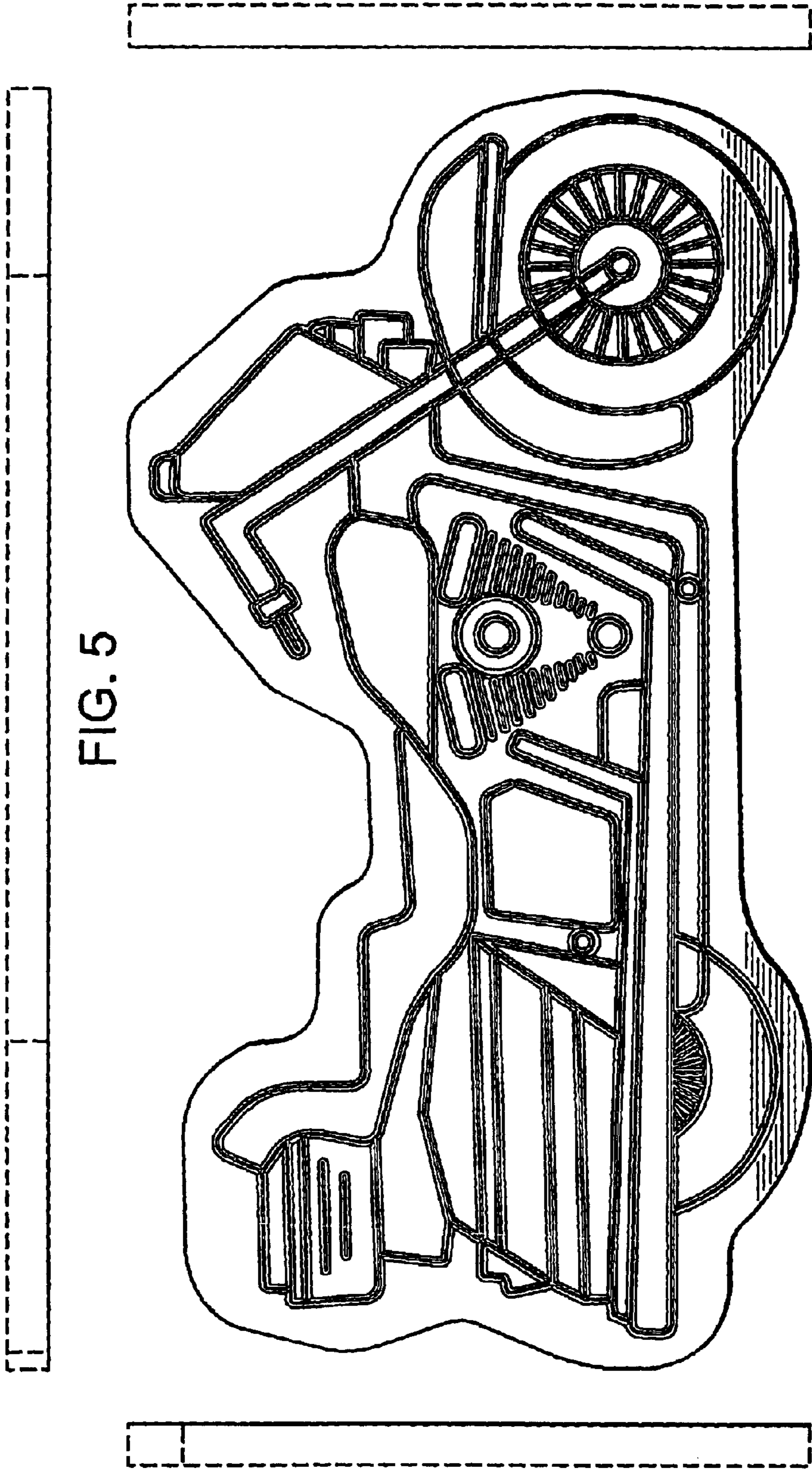


FIG. 2

FIG. 3

FIG. 4

FIG. 5

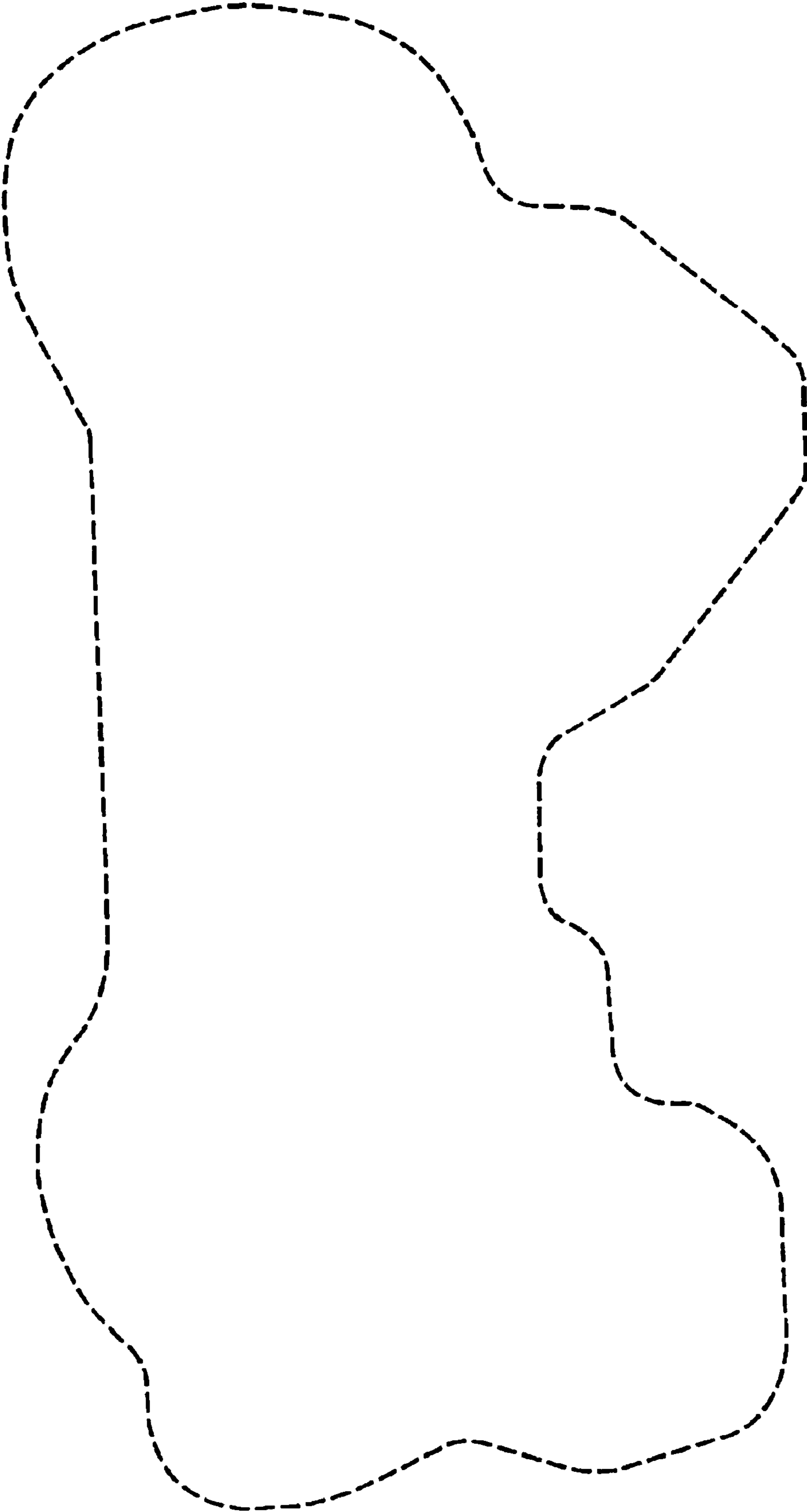


FIG. 7