

US00D493647S1

(12) **United States Design Patent**
Bowes

(10) **Patent No.: US D493,647 S**

(45) **Date of Patent: ** Aug. 3, 2004**

(54) **FLUID DISPENSER**

D467,108 S * 12/2002 Ahlstrom et al. D6/545

(75) Inventor: **John Kenneth Bowes**, Toronto (CA)

* cited by examiner

(73) Assignee: **Hygiene-Technik Inc.**, Beamsville (CA)

Primary Examiner—Brian N. Vinson
(74) *Attorney, Agent, or Firm*—Riches, McKenzie & Herbert LLP

(**) Term: **14 Years**

(57) **CLAIM**

(21) Appl. No.: **29/185,153**

I claim the ornamental design for a fluid dispenser, as shown.

(22) Filed: **Jun. 24, 2003**

DESCRIPTION

(51) **LOC (7) Cl.** **06-04**

(52) **U.S. Cl.** **D6/545**

(58) **Field of Search** D6/542-45; D8/349, D8/358; 211/13.1, 70.01, 74-75; 248/205.1, 309.1, 310, 312, 311.3; 221/282-83; 222/105, 173, 180, 630, 181.1

FIG. 1 is a top, front, and right side perspective view of a fluid dispenser showing my new design;
FIG. 2 is a front elevational view thereof;
FIG. 3 is a right side elevational view thereof;
FIG. 4 is a left elevational view thereof;
FIG. 5 is a top plan view thereof;
FIG. 6 is a rear elevational view thereof;
FIG. 7 is a bottom plan view thereof;
FIG. 8 is a top, front, and right side perspective view thereof, with the broken-line disclosure of the container in this and subsequent views being for illustrative purposes only and forming no part of the claimed design;
FIG. 9 is a front elevational view thereof;
FIG. 10 is a right side elevational view thereof; and,
FIG. 11 is a left side elevational view thereof.

(56) **References Cited**

U.S. PATENT DOCUMENTS

- D298,097 S * 10/1988 Vogel et al. D6/545
- D321,453 S 11/1991 Ophardt
- D333,063 S * 2/1993 Podesta Burke D6/545
- D350,070 S 8/1994 Ophardt
- D350,665 S 9/1994 Ophardt
- D378,035 S 2/1997 Ophardt
- D443,782 S * 6/2001 Kauzlarich et al. D6/545
- D444,978 S * 7/2001 Kauzlarich et al. D6/545

1 Claim, 5 Drawing Sheets

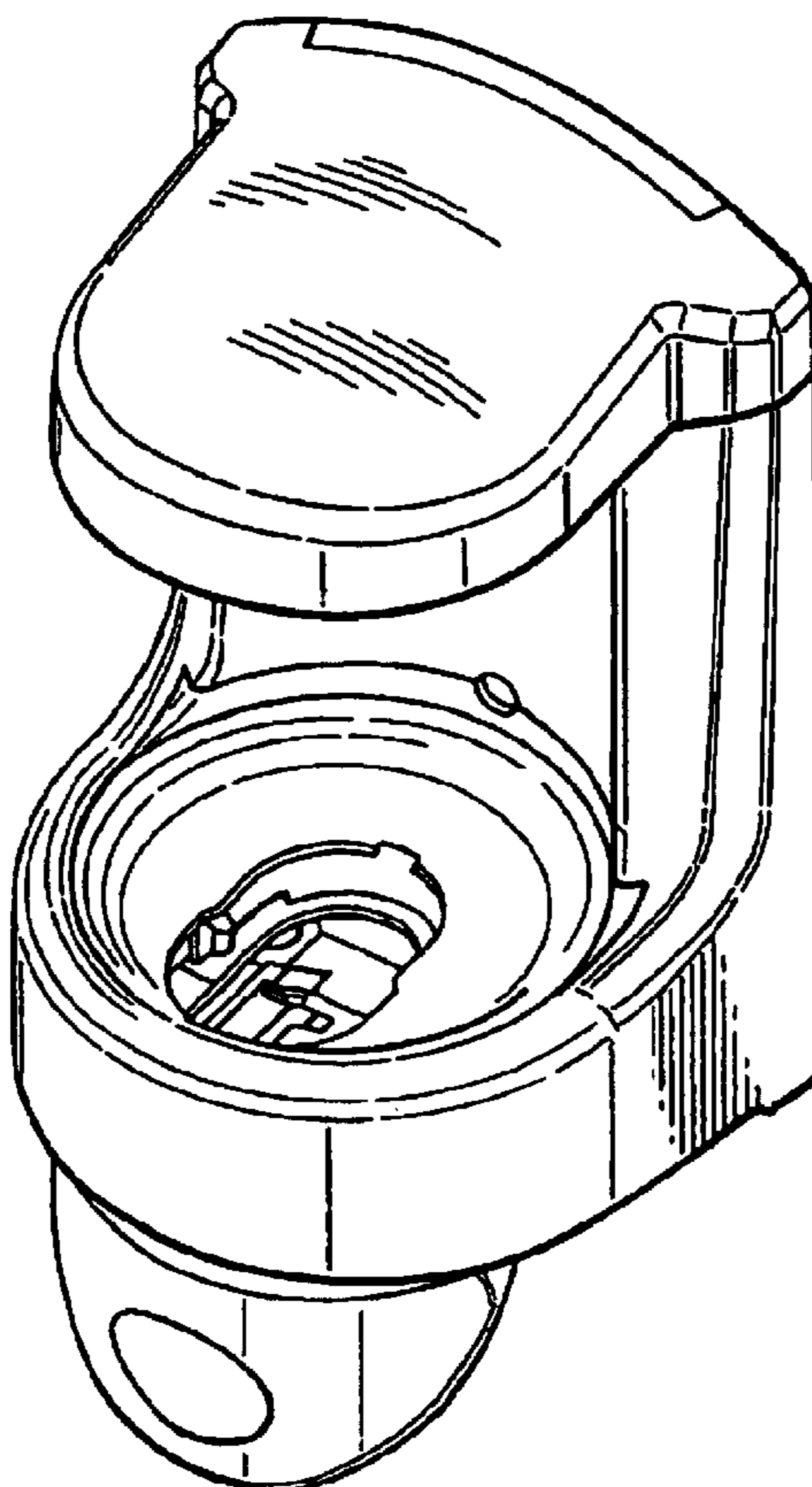


FIG.1.

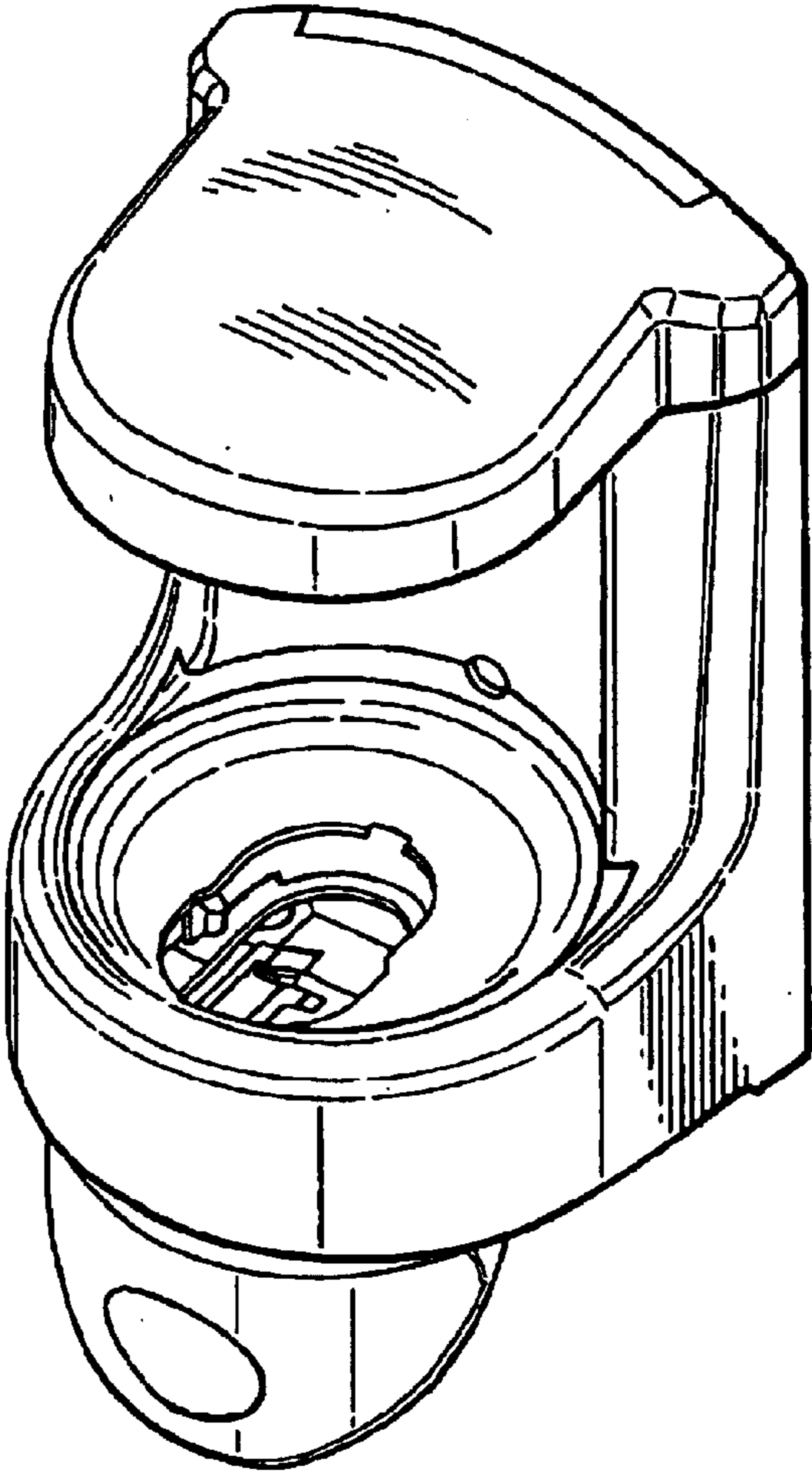


FIG.2.

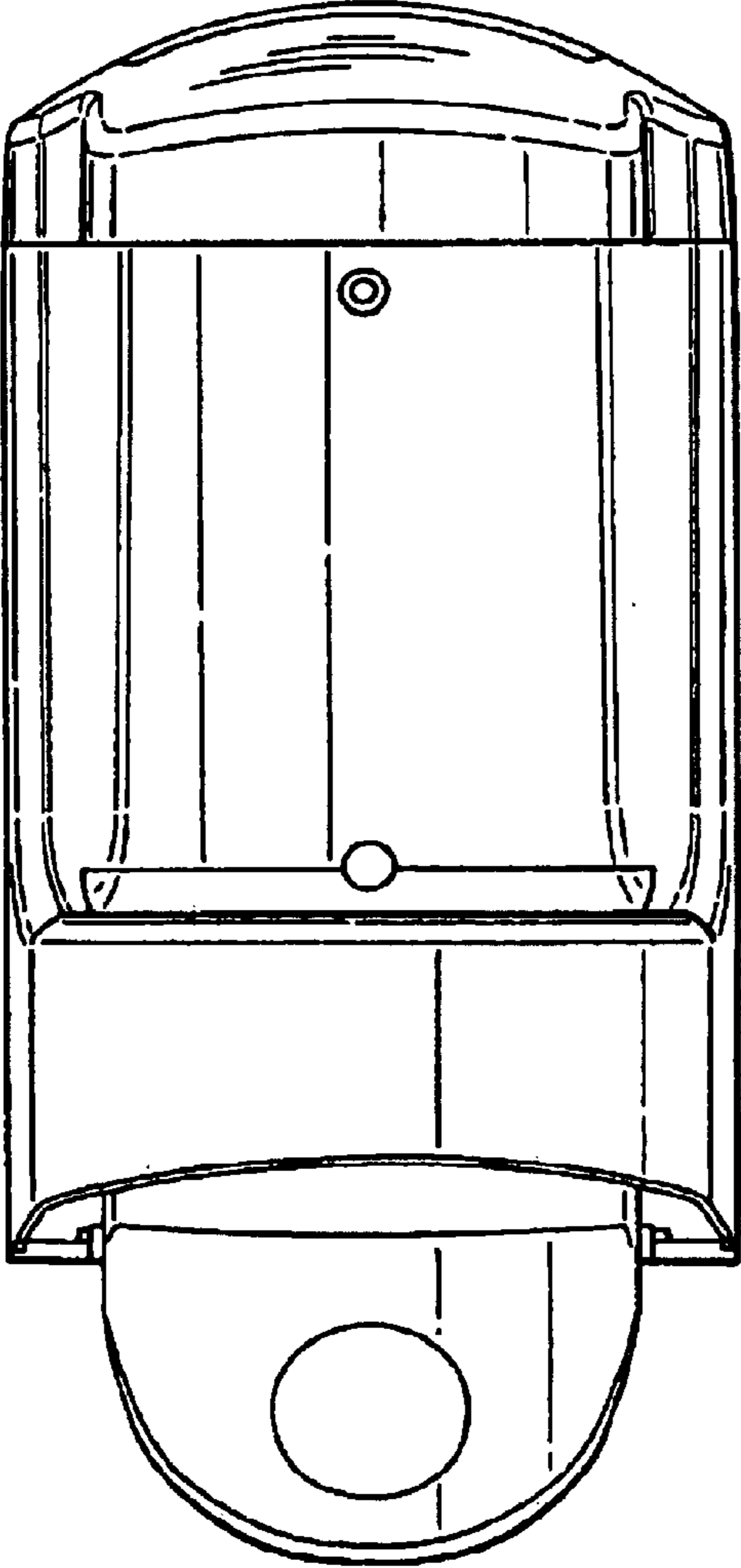


FIG. 3.

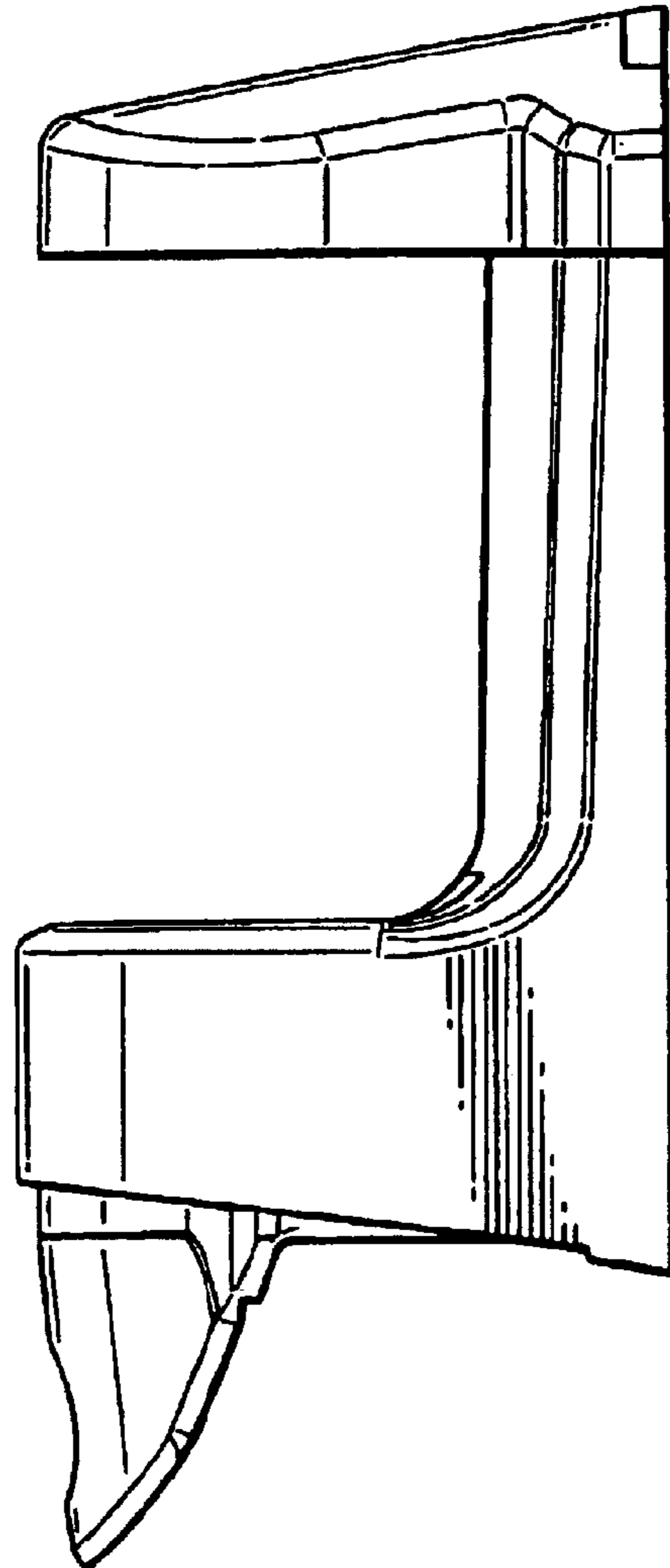


FIG. 4.

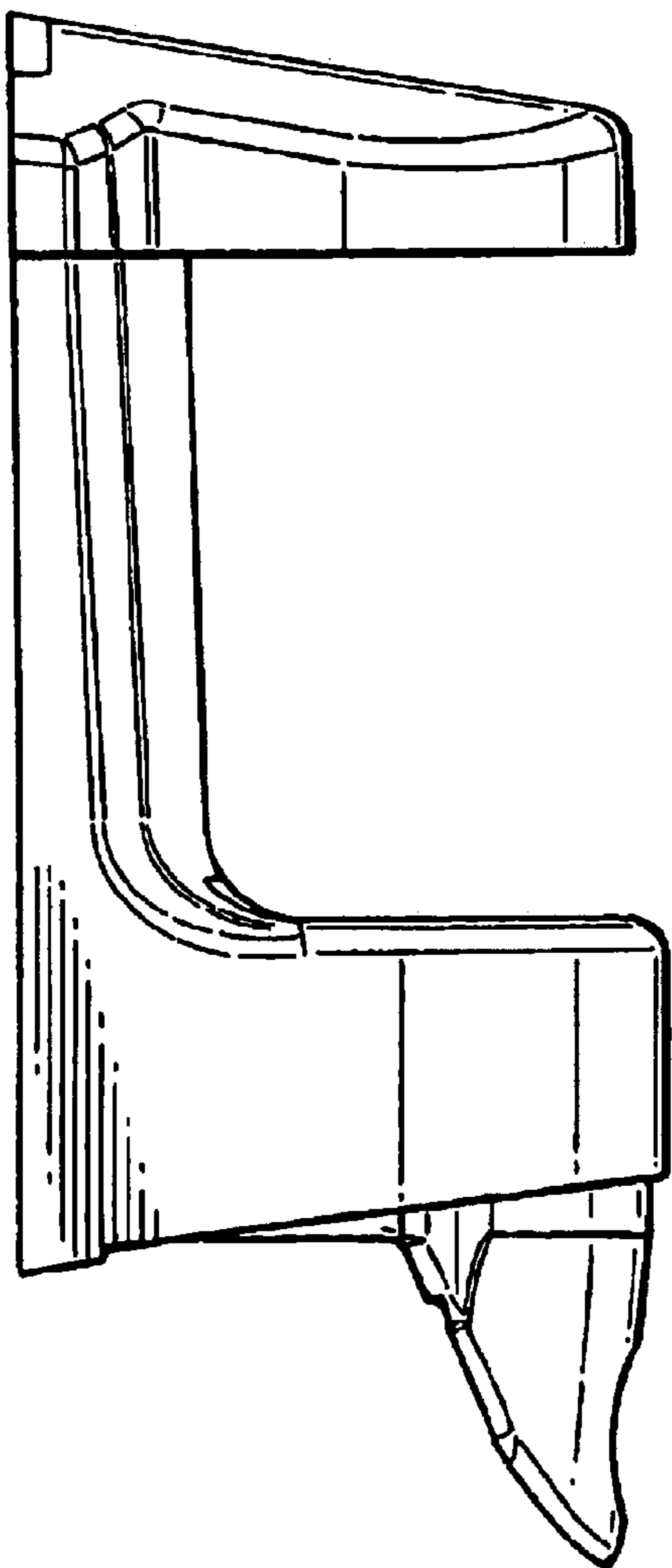


FIG. 5.

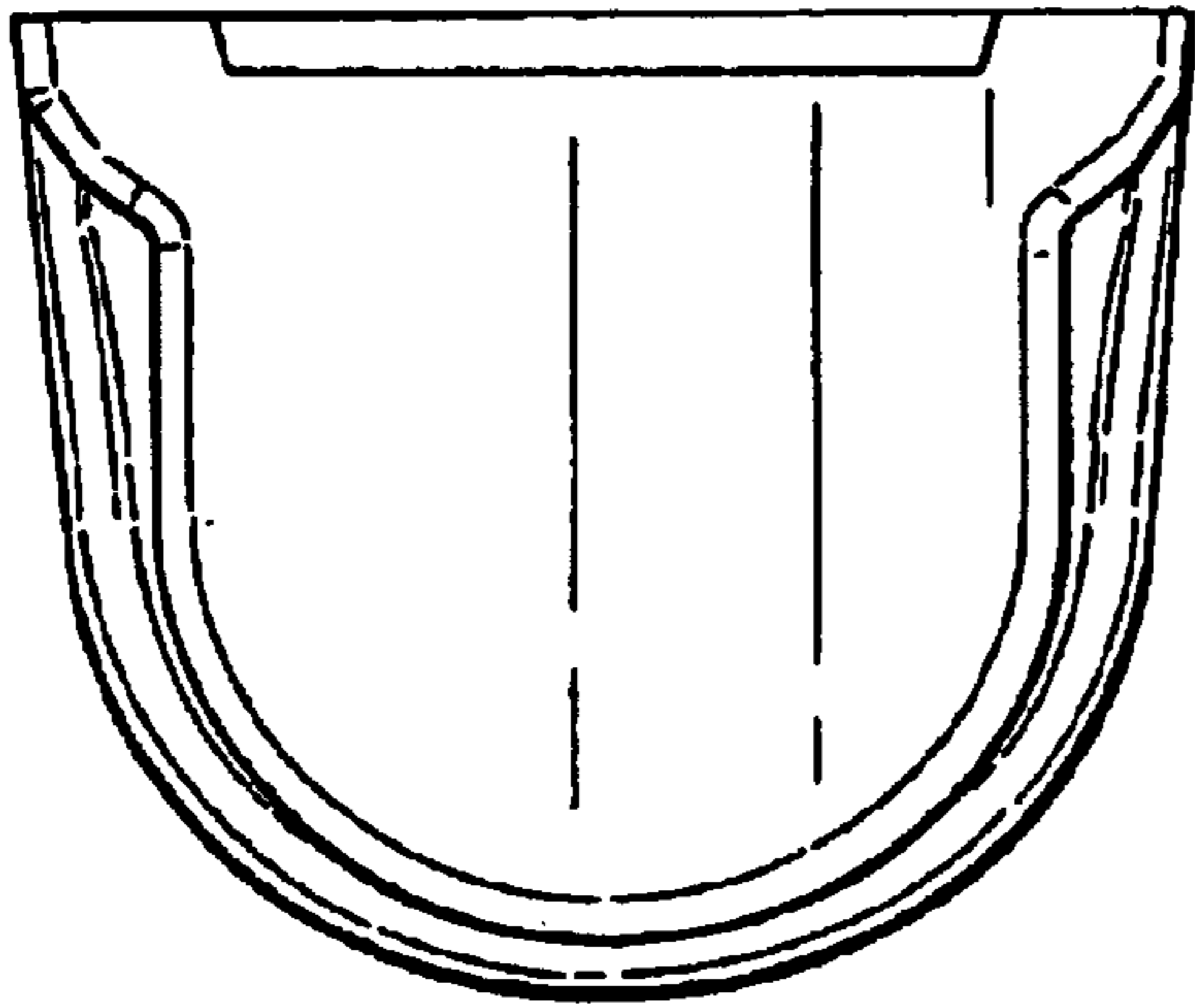


FIG. 6.

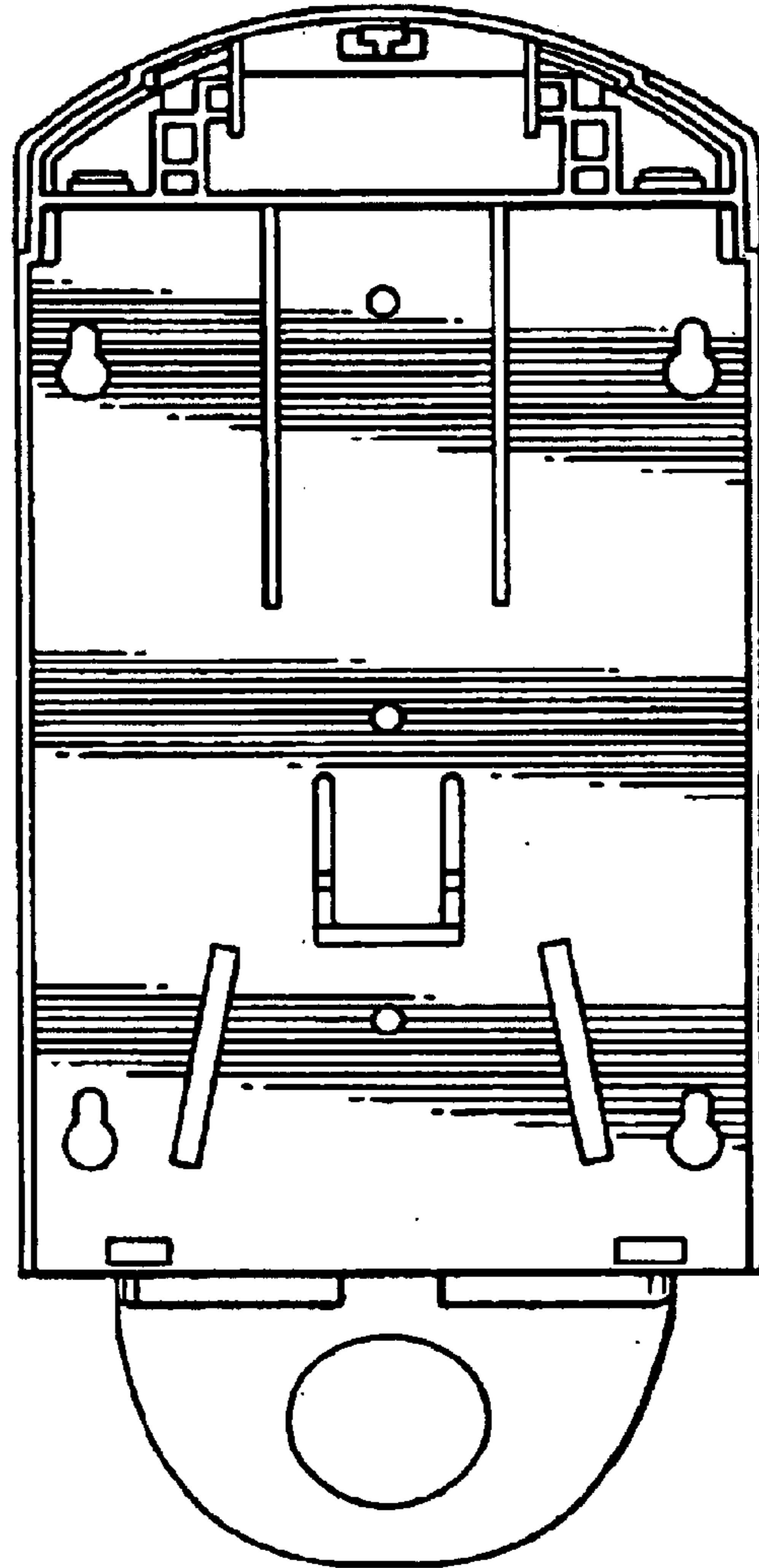


FIG. 7.

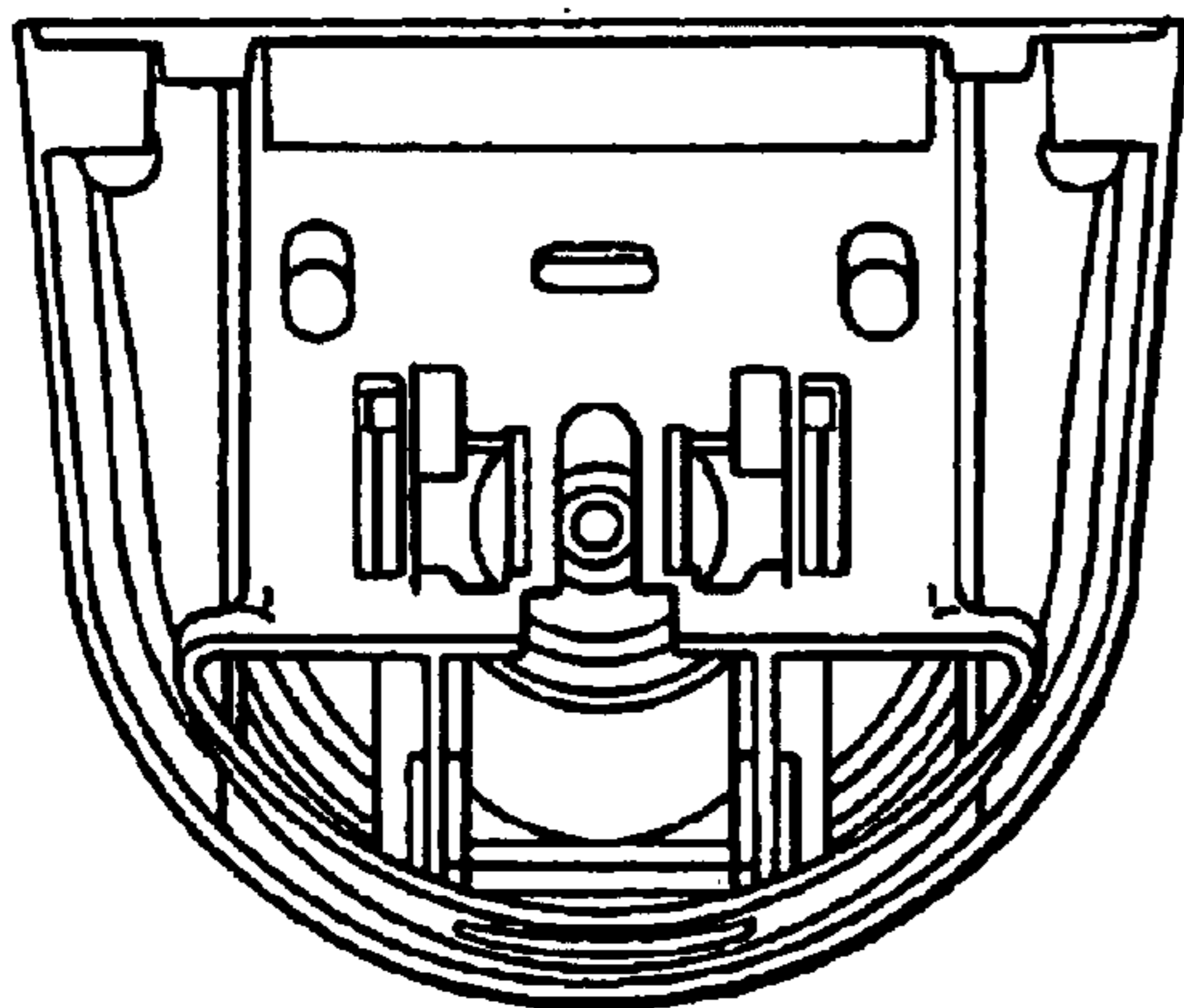


FIG. 8

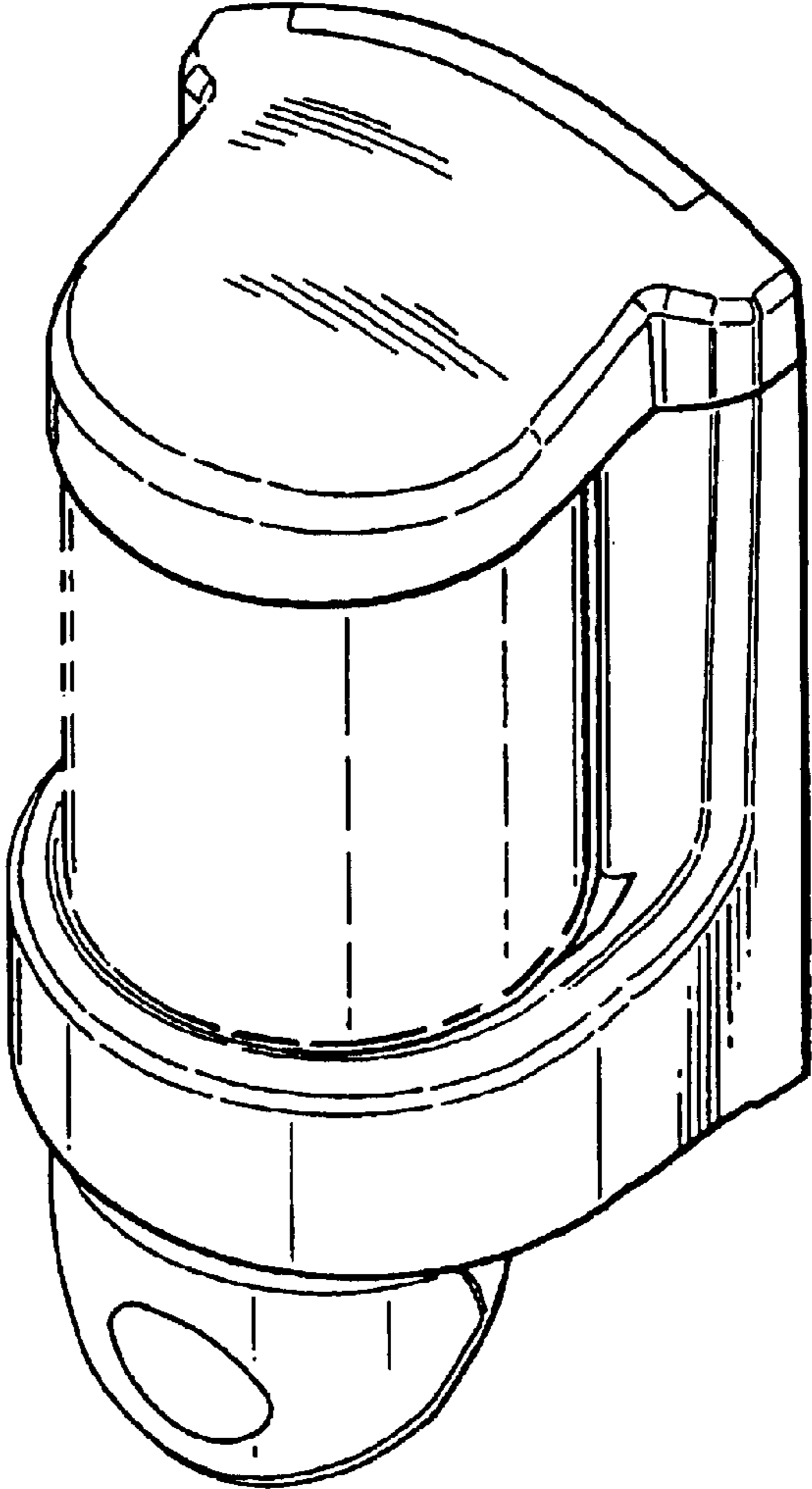


FIG. 9

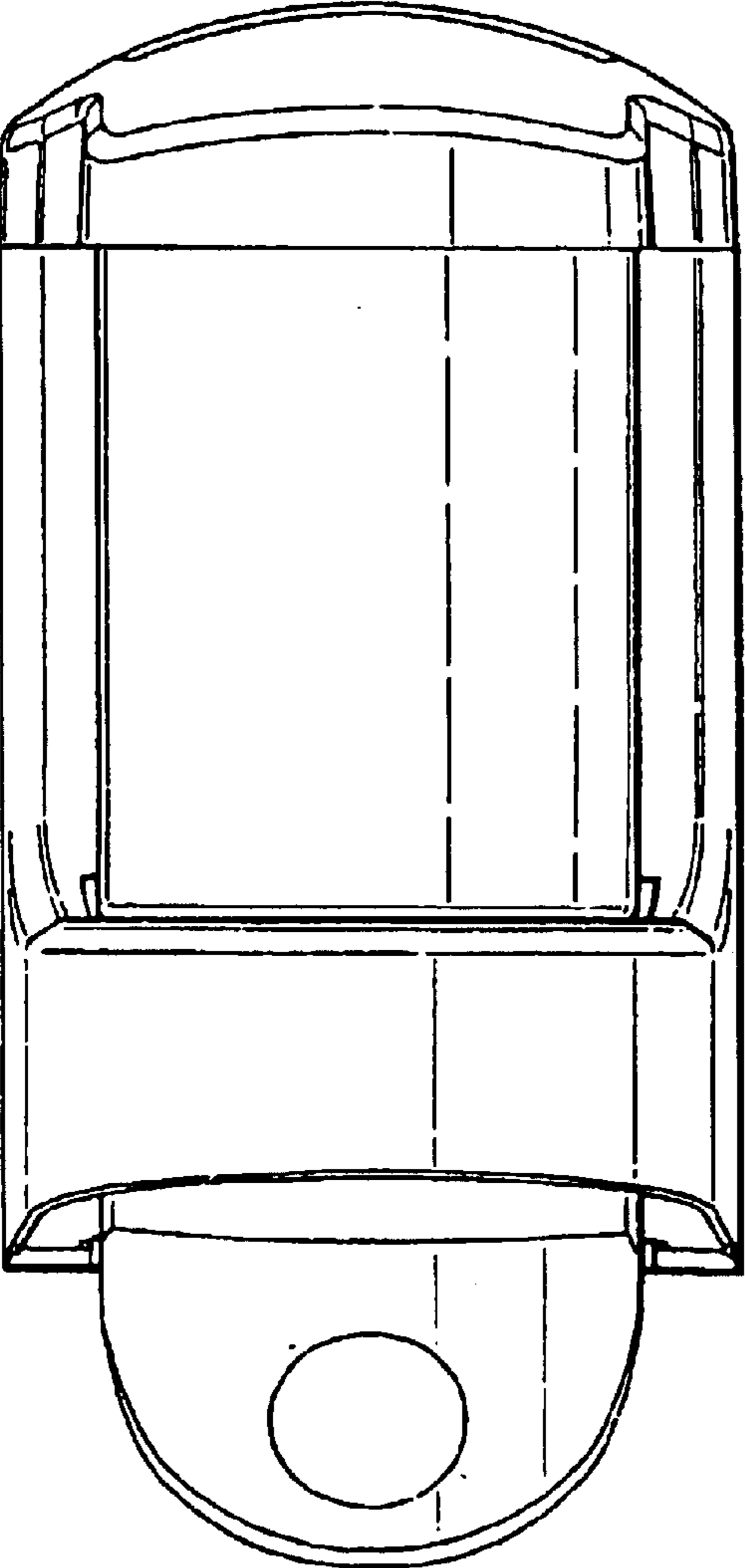


FIG. 10

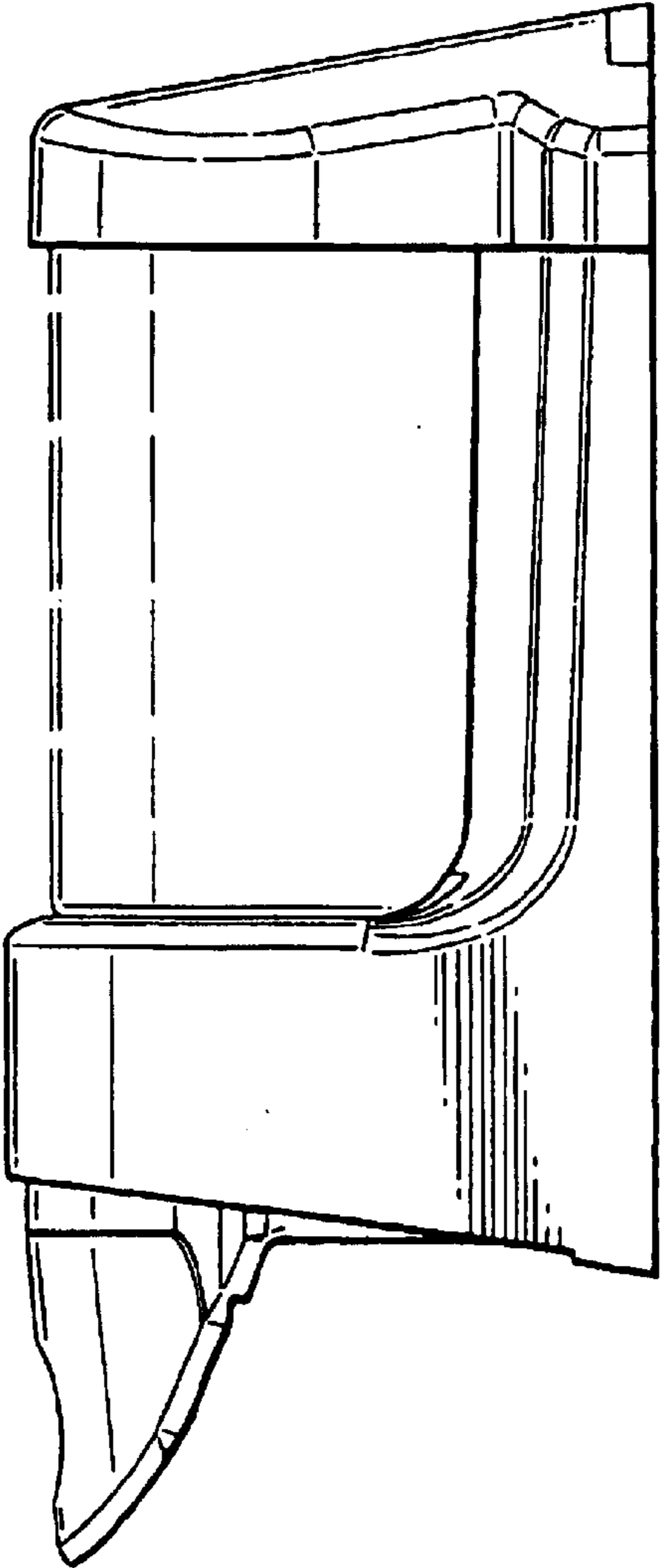


FIG. 11

