

US00D493646S1

(12) **United States Design Patent**
Hoernig

(10) **Patent No.: US D493,646 S**

(45) **Date of Patent: ** Aug. 3, 2004**

(54) **TUMBLER HOLDER**

(75) **Inventor: Victor Hoernig, Lowell, IN (US)**

(73) **Assignee: Bath Unlimited, Inc., Fort Mill, SC (US)**

(**) **Term: 14 Years**

(21) **Appl. No.: 29/185,008**

(22) **Filed: Jun. 19, 2003**

(51) **LOC (7) Cl. 23-02**

(52) **U.S. Cl. D6/534**

(58) **Field of Search** D6/531, 540, 524,
D6/553, 567; D29/9, 72, 138, 145; 206/426;
211/13.1, 74, 85.12, 70.7, 75, 71.01, 86.01,
87.01; 248/309.1, 311.2

(56) **References Cited**

U.S. PATENT DOCUMENTS

D283,283 S	*	4/1986	Sollen	D6/535
D306,689 S	*	3/1990	Hamann	D8/363
D371,735 S	*	7/1996	Motta	D8/373
D416,153 S	*	11/1999	Chen	D6/524

D416,730 S	*	11/1999	Chen	D6/540
D425,742 S	*	5/2000	Duggan	D6/535
D453,646 S	*	2/2002	Gottwald	D6/535
D456,194 S	*	4/2002	Hoernig	D6/535
D478,757 S	*	8/2003	Hoernig	D6/535

* cited by examiner

Primary Examiner—Brian N Vinson

(74) *Attorney, Agent, or Firm*—Edgar A. Zarins; Lloyd D. Doigan

(57) **CLAIM**

The ornamental design for a tumbler holder, as shown and described.

DESCRIPTION

FIG. 1 is a perspective view of a tumbler holder showing my new design;

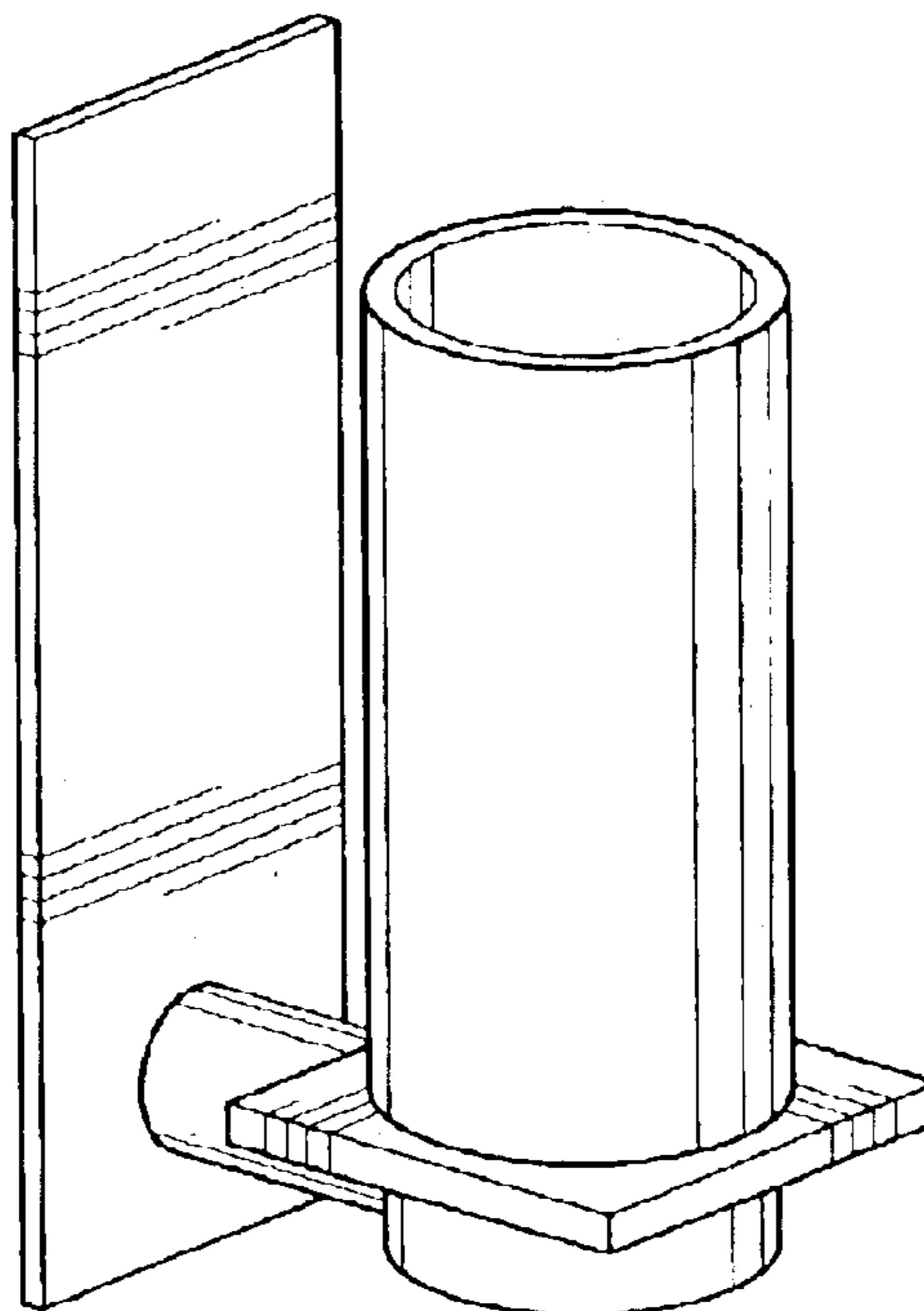
FIG. 2 is a right side view thereof, the opposite side being a mirror image of the end shown;

FIG. 3 is a bottom plan view thereof;

FIG. 4 is a top plan view thereof; and,

FIG. 5 is a front elevational view thereof.

1 Claim, 1 Drawing Sheet



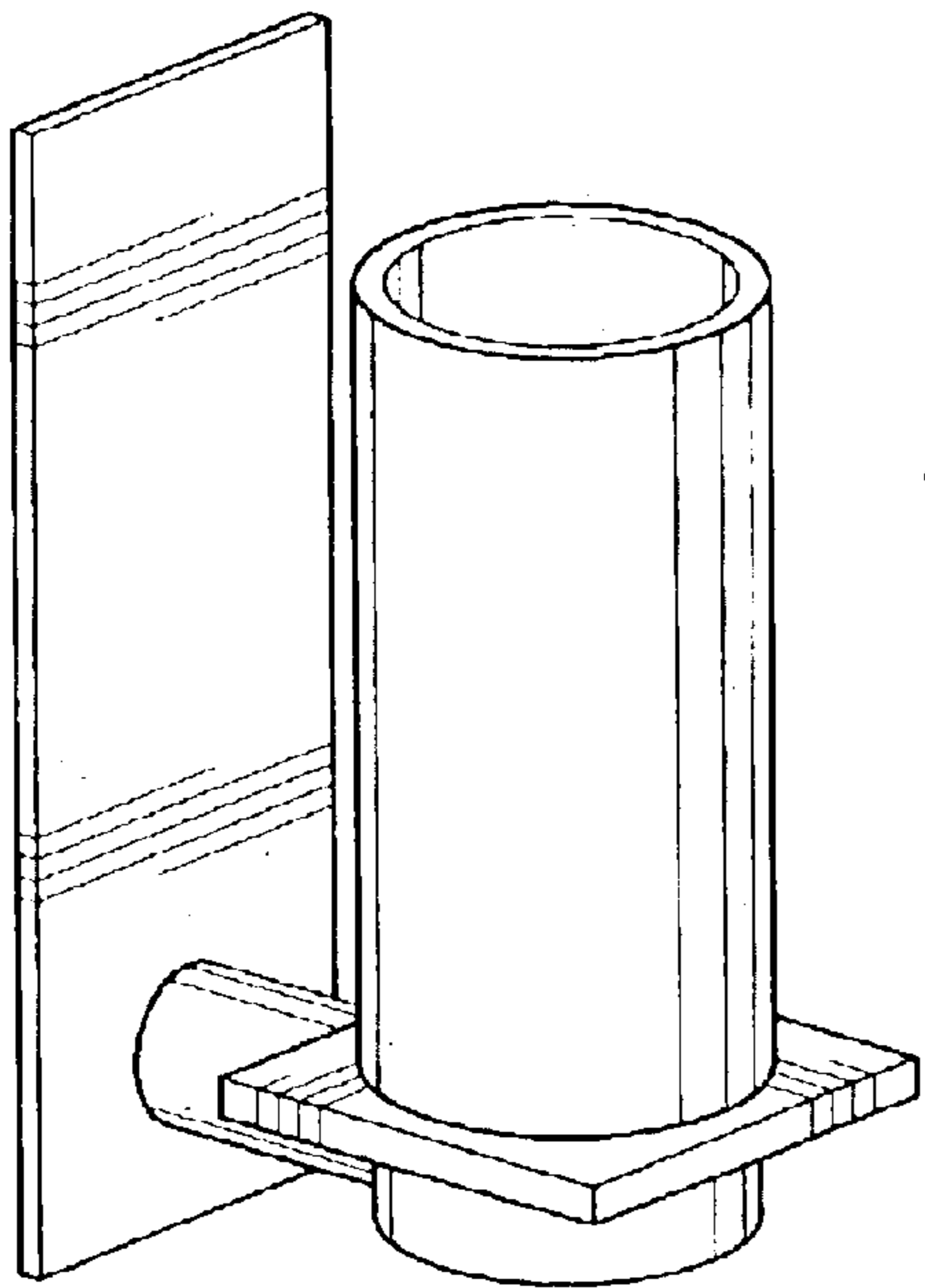


Fig-1

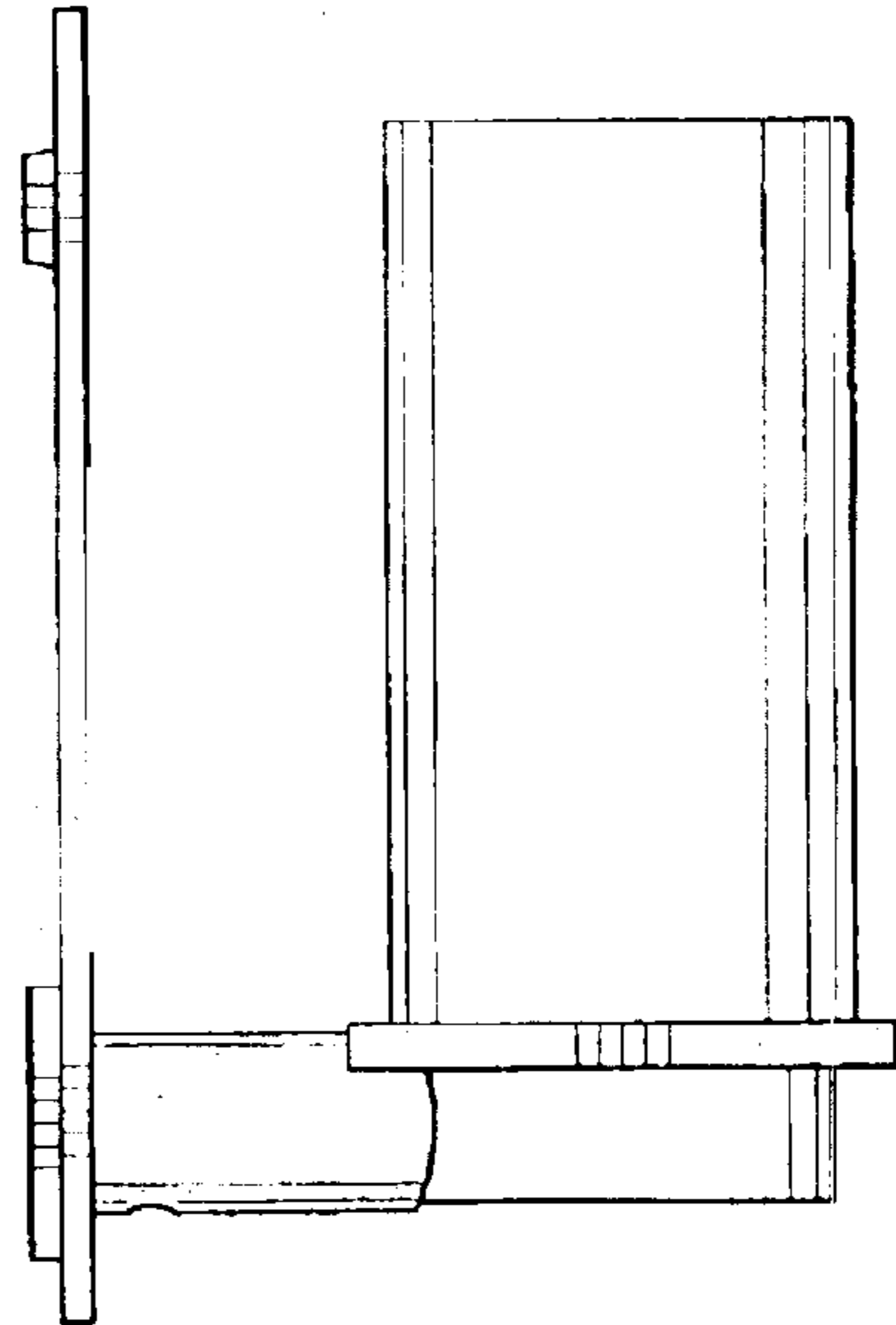


Fig-2

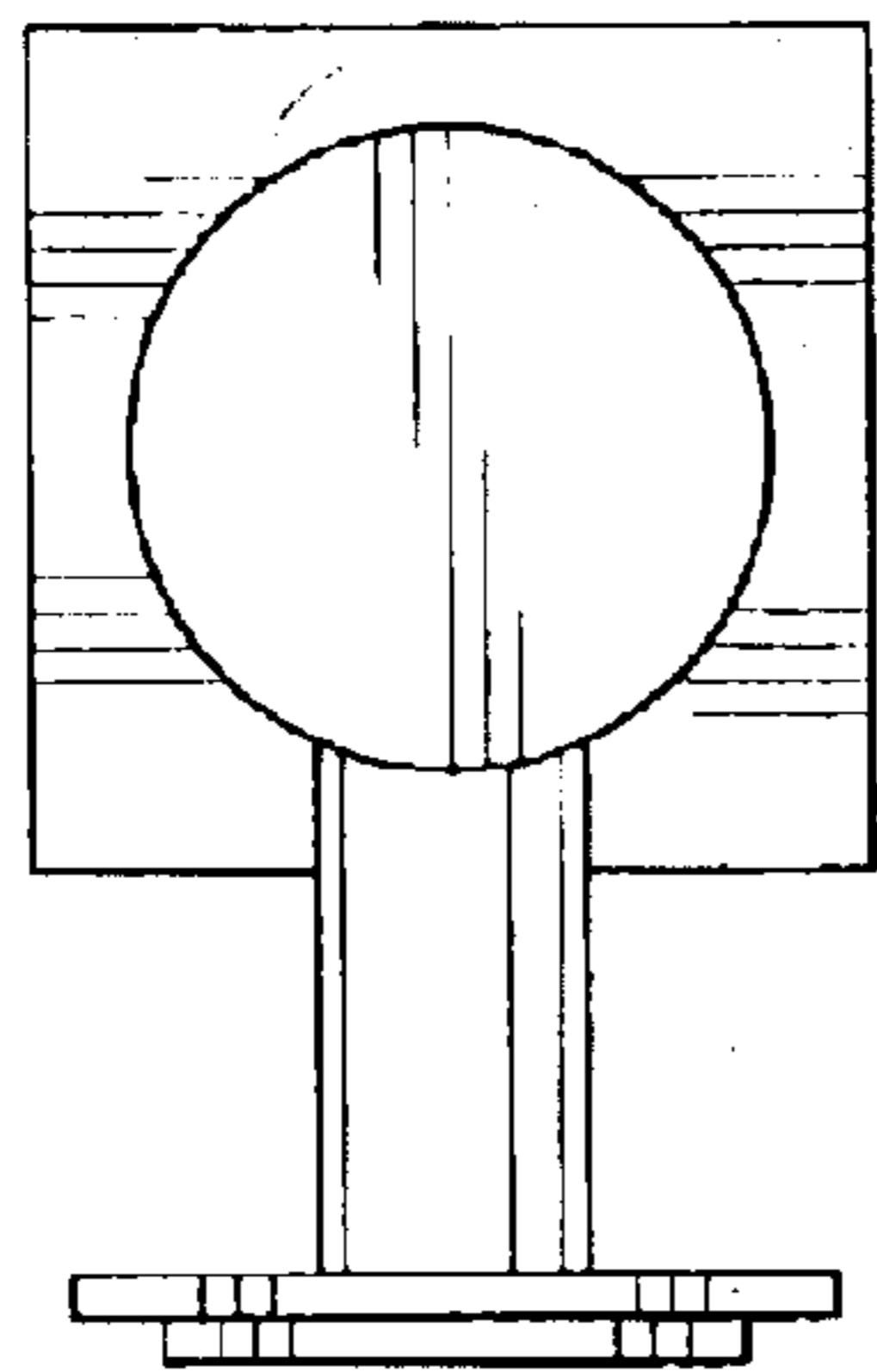


Fig-3

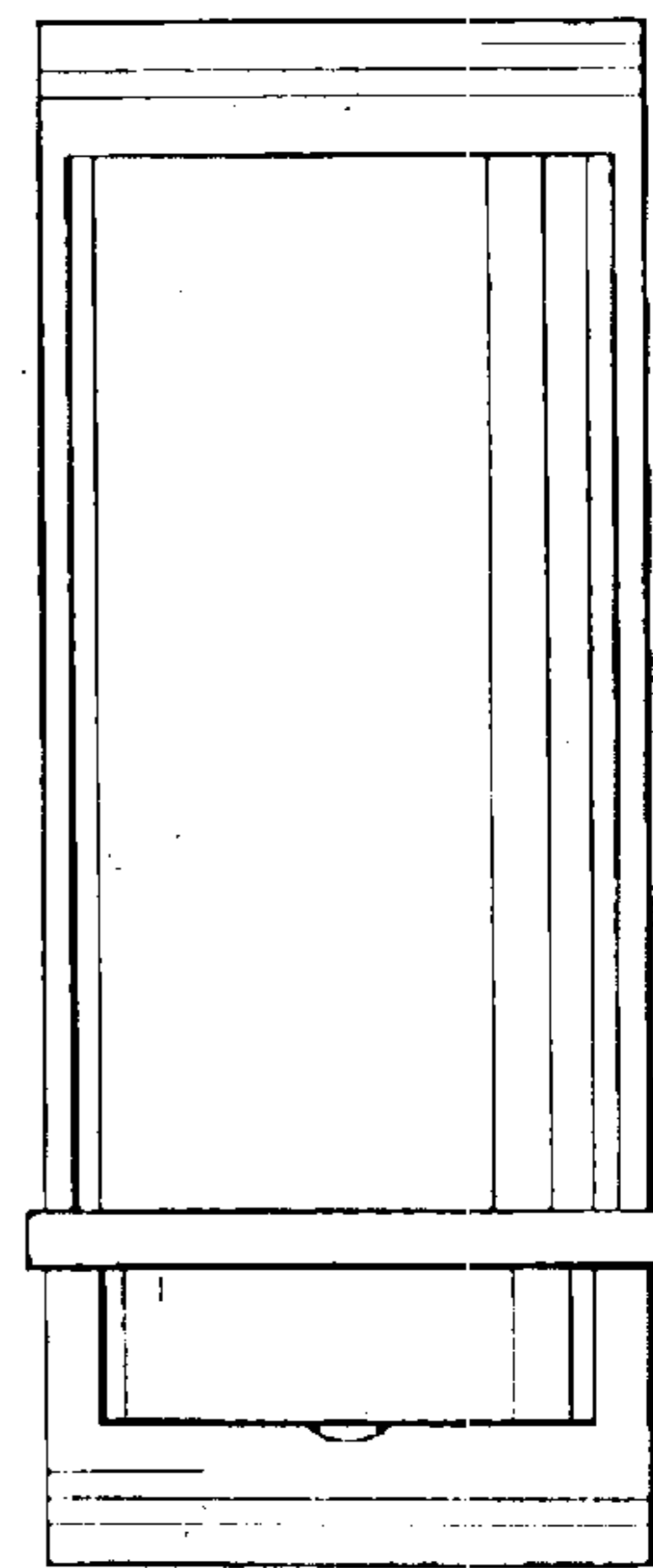


Fig-5

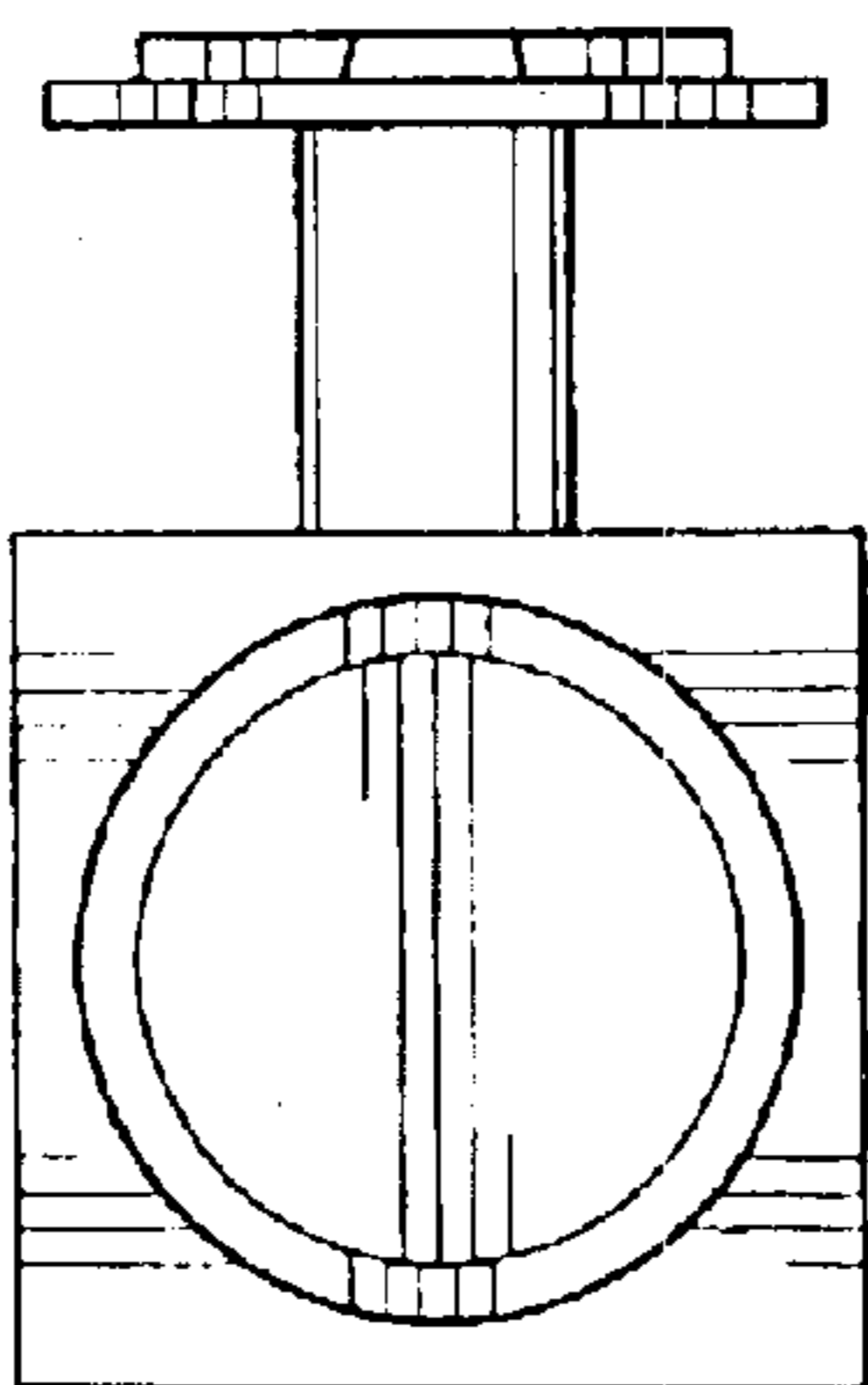


Fig-4