

US00D493643S1

(12) **United States Design Patent**  
**Snell**

(10) **Patent No.:** **US D493,643 S**

(45) **Date of Patent:** **\*\* Aug. 3, 2004**

(54) **TOILET TISSUE HOLDER STAND**

D461,669 S \* 8/2002 Cheng ..... D6/527  
D472,414 S \* 4/2003 Gilbert ..... D6/523  
D476,835 S \* 7/2003 Lai ..... D6/523

(75) **Inventor:** **Russell Benton Snell**, Bentleyville, OH  
(US)

\* cited by examiner

(73) **Assignee:** **InterDesign, Inc.**, Solon, OH (US)

*Primary Examiner*—Brian N Vinson

(\*\*) **Term:** **14 Years**

(74) *Attorney, Agent, or Firm*—D. Peter Hochberg; Sean Mellino; Katherine R. Vieyra

(21) **Appl. No.:** **29/188,656**

(57) **CLAIM**

(22) **Filed:** **Aug. 21, 2003**

The ornamental design for a toilet tissue holder stand, as shown and described.

(51) **LOC (7) Cl.** ..... **23-02**

(52) **U.S. Cl.** ..... **D6/523**

(58) **Field of Search** ..... D6/559, 523; D8/300;  
108/28–29; 211/13.1, 16, 60.1, 100, 86.01,  
87.01, 88.04, 105.1, 123, 181; 242/570,  
590; 248/175, 176, 302

**DESCRIPTION**

FIG. 1 is a perspective view of a toilet tissue holder stand embodying this invention;

FIG. 2 is a top view of the stand shown in FIG. 1;

FIG. 3 is a left side view of the stand shown in FIG. 1;

FIG. 4 is a front view of the stand shown in FIG. 1;

FIG. 5 is a right side view of the stand shown in FIG. 1;

FIG. 6 is a rear view of the stand shown in FIG. 1; and,

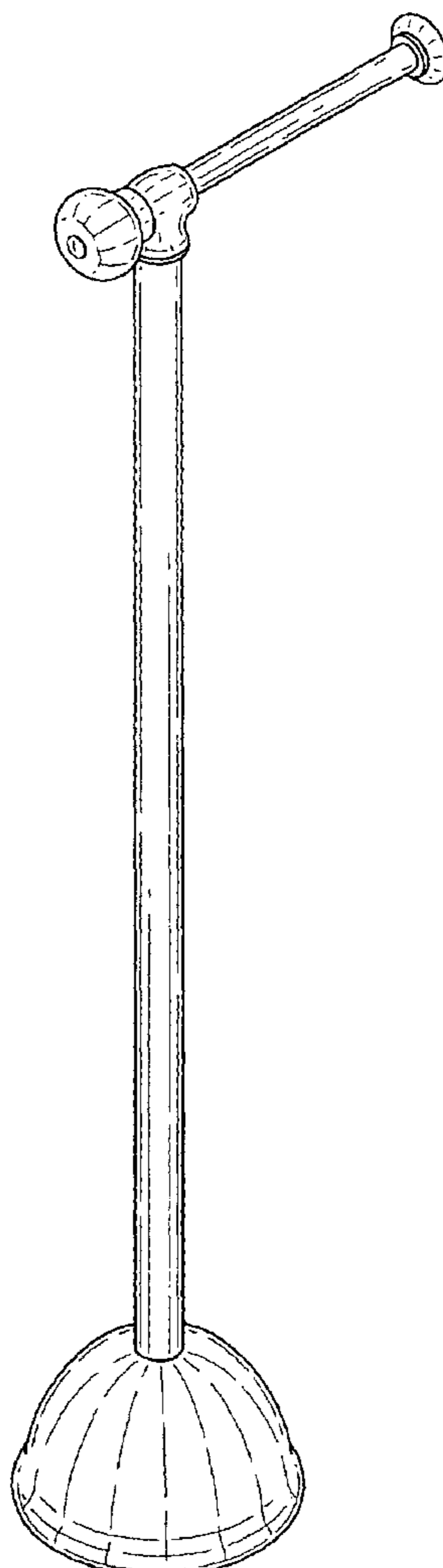
FIG. 7 is a bottom view of the stand shown in FIG. 1.

(56) **References Cited**

**U.S. PATENT DOCUMENTS**

D313,716 S \* 1/1991 Jacques ..... D6/523  
D455,588 S \* 4/2002 Ou-Young ..... D6/523

**1 Claim, 3 Drawing Sheets**



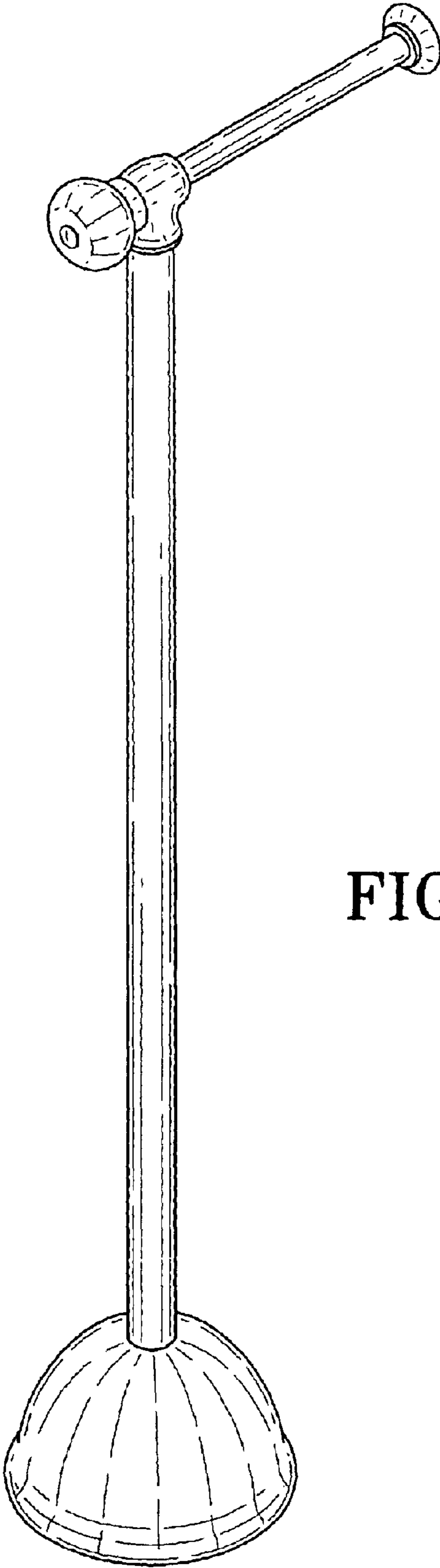


FIG-1

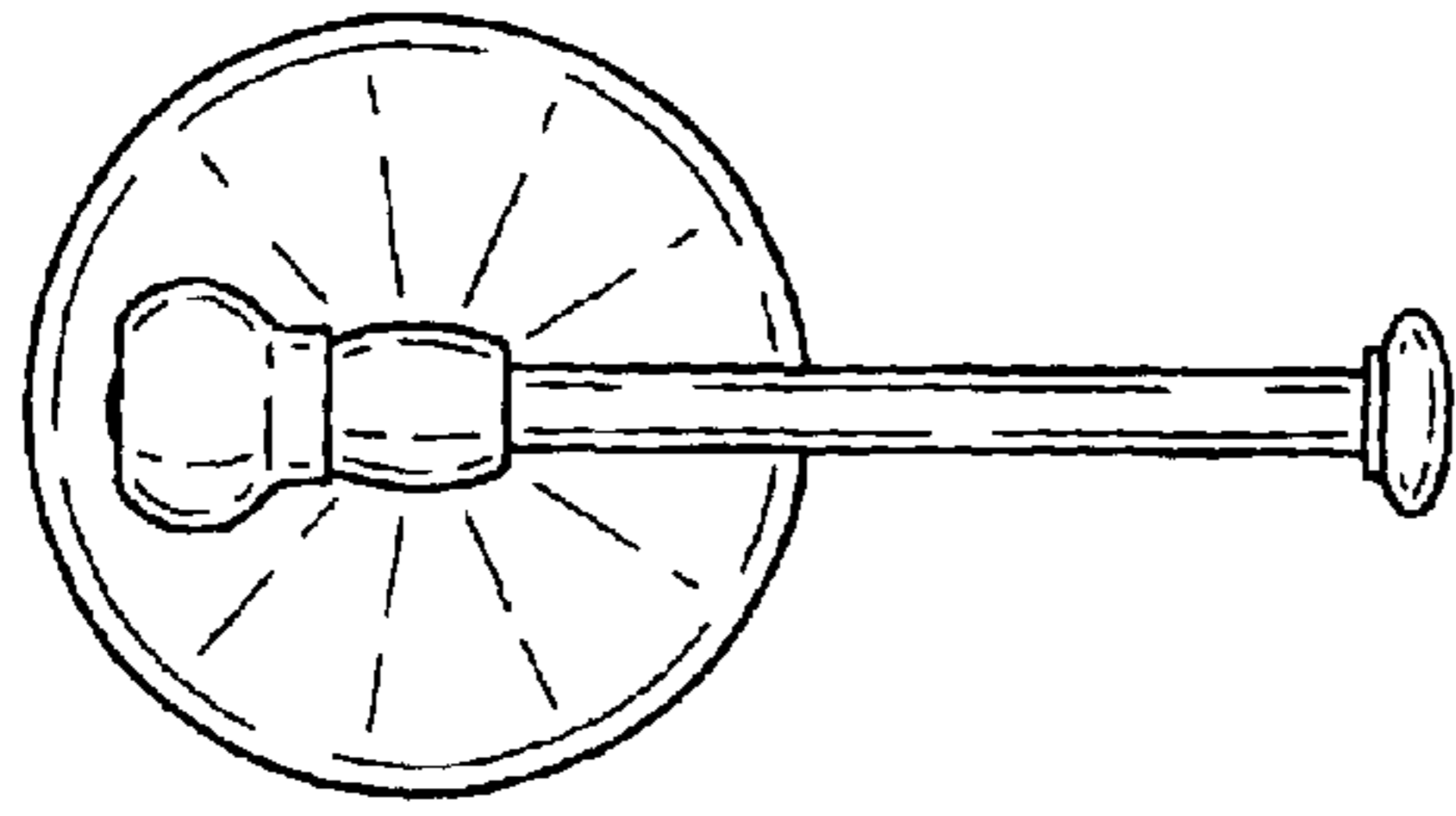


FIG-2

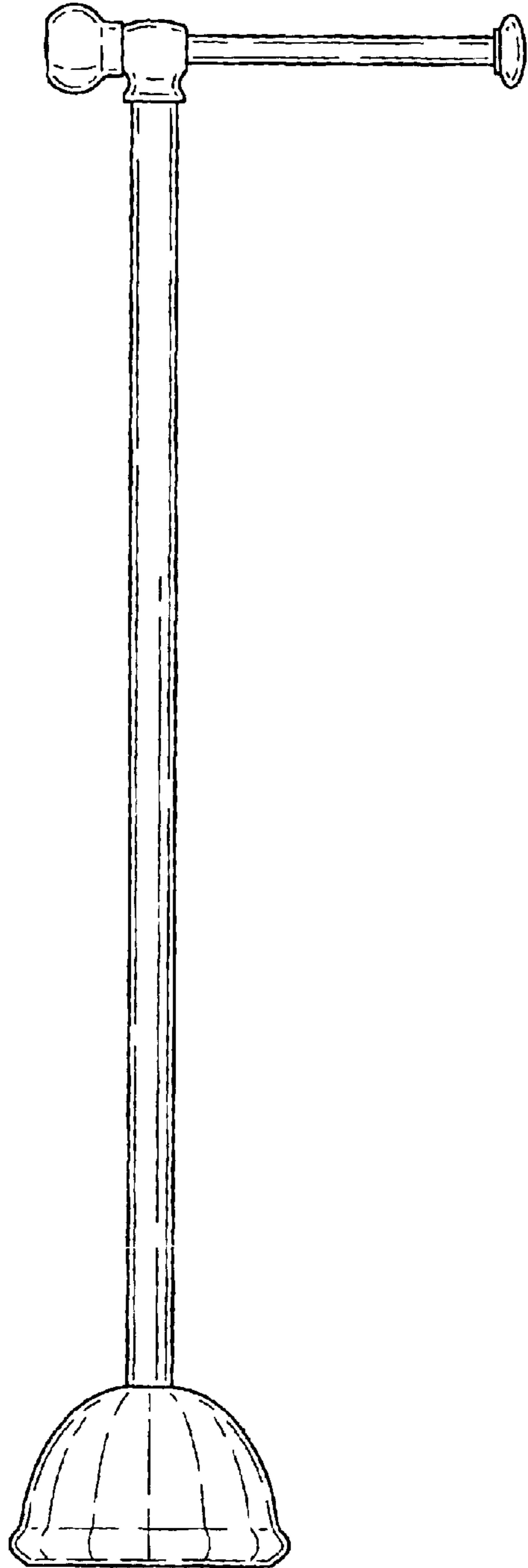


FIG-3

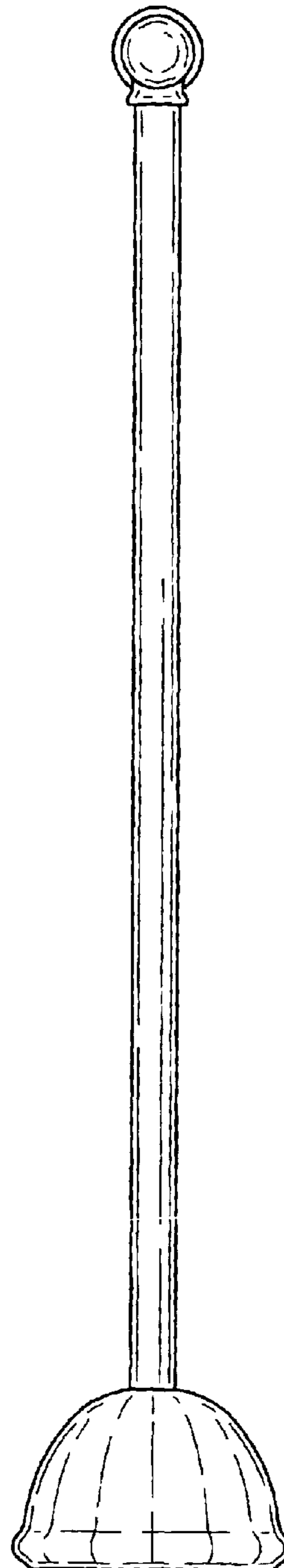


FIG-4

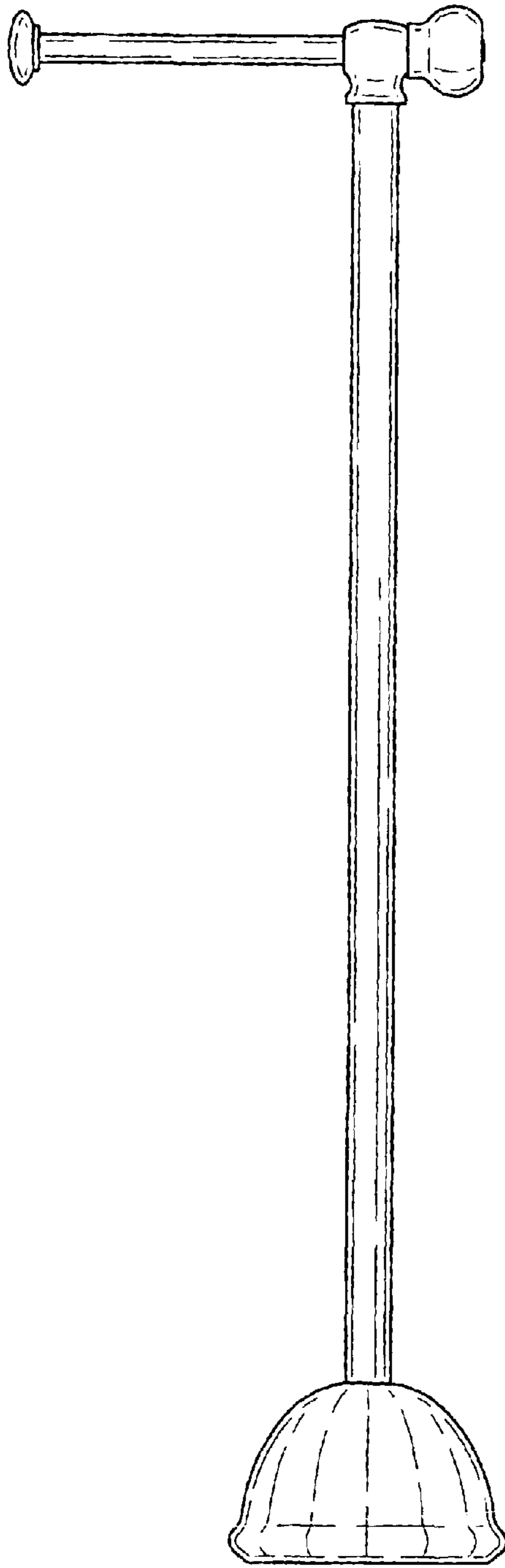


FIG-5

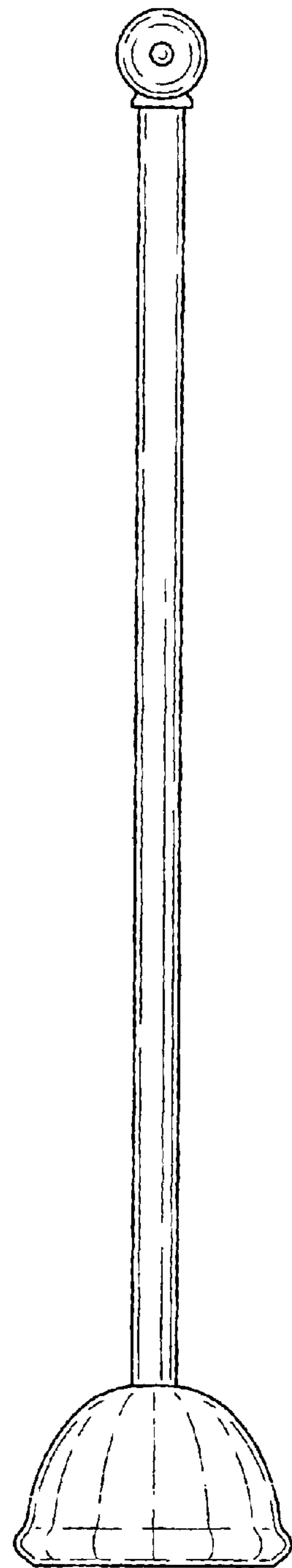


FIG-6

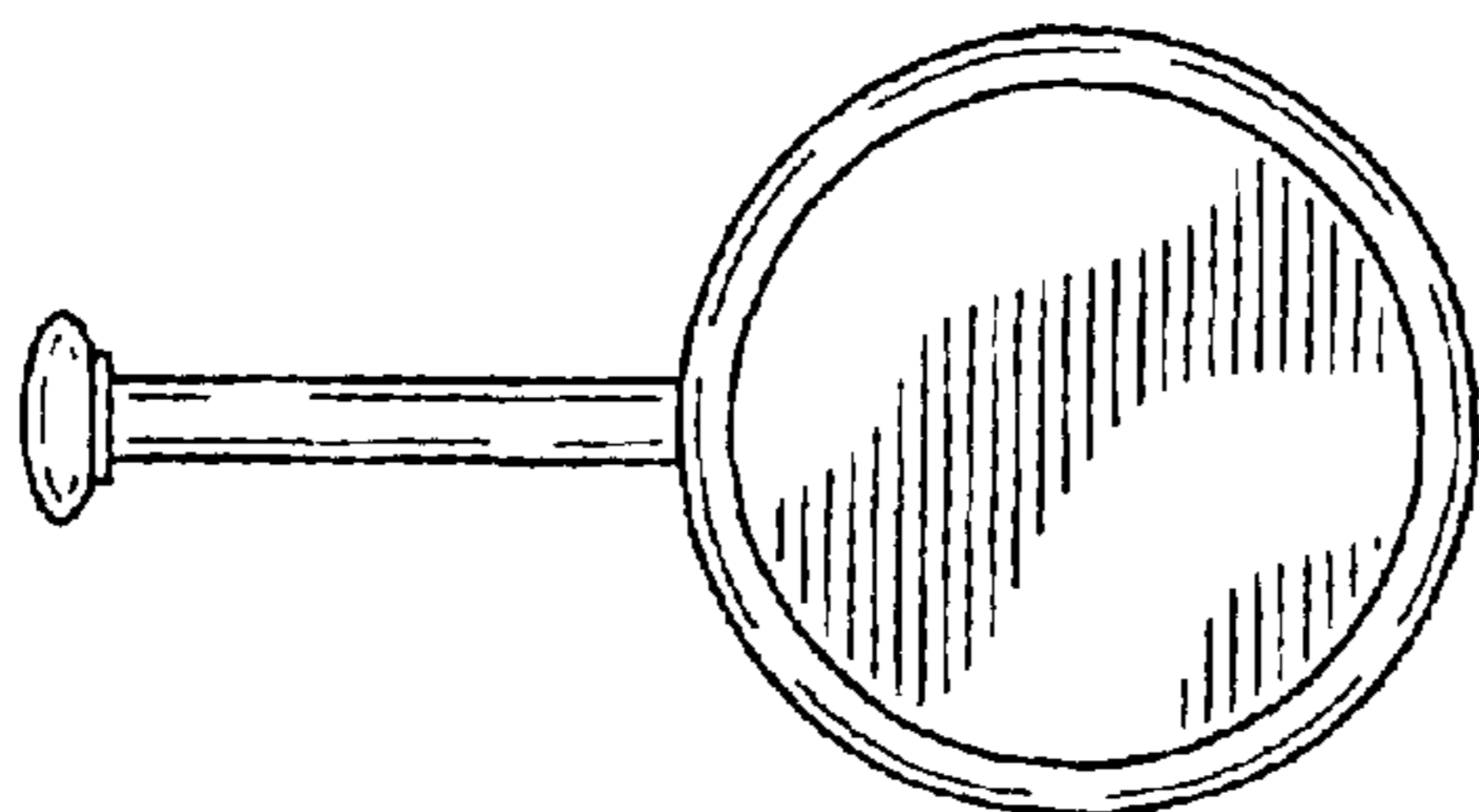


FIG-7