



US00D493641S1

(12) **United States Design Patent**  
**Brazier et al.**

(10) **Patent No.:** **US D493,641 S**  
(45) **Date of Patent:** **\*\* Aug. 3, 2004**

(54) **UPRIGHT FOR SHELVING**

(75) Inventors: **Keith Brazier**, Essex (GB); **Tony Rowe**, Twickenham (GB)

(73) Assignee: **Newell Limited**, Tyne and Wear (GB)

(\*\*) Term: **14 Years**

(21) Appl. No.: **29/171,207**

(22) Filed: **Nov. 19, 2002**

(30) **Foreign Application Priority Data**

Jun. 21, 2002 (GB) ..... 3004712

(51) **LOC (7) Cl.** ..... **06-06**

(52) **U.S. Cl.** ..... **D6/495; D6/511**

(58) **Field of Search** ..... D6/474, 476, 477-479,  
D6/464, 465, 491, 495, 509, 511; 108/59,  
60, 91, 92, 147.11, 149, 162, 176, 110,  
193; 211/90.01, 90.02

(56) **References Cited**

**U.S. PATENT DOCUMENTS**

3,167,037 A \* 1/1965 Mapson ..... 108/6  
5,110,080 A 5/1992 Rieman

6,179,136 B1 \* 1/2001 Kluge et al. .... 211/90.01  
6,540,093 B1 \* 4/2003 Shumway ..... 211/90.02  
6,651,828 B2 \* 11/2003 Dimattio et al. .... 211/59.2

**FOREIGN PATENT DOCUMENTS**

SE 504960 6/1997

\* cited by examiner

*Primary Examiner*—Cathron Brooks

(74) *Attorney, Agent, or Firm*—Carmody & Torrance LLP

(57) **CLAIM**

The ornamental design for an upright for shelving, as shown and described.

**DESCRIPTION**

FIG. 1 is a perspective view of the upright for shelving from the front and one side, shown broken apart to indicate indeterminate length;

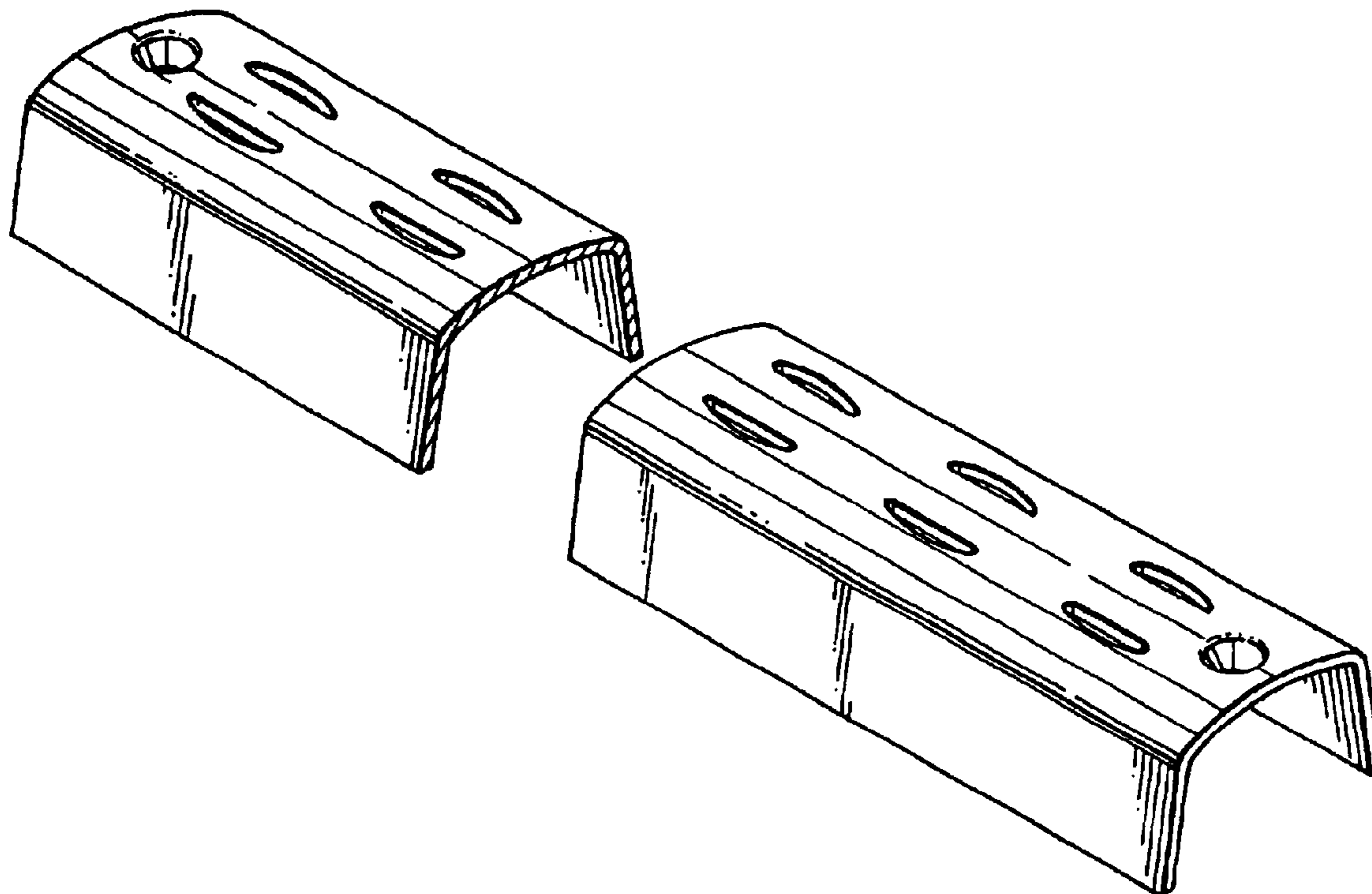
FIG. 2 is an end view, the opposite end view being a mirror image thereof;

FIG. 3 is a side view, the opposite side view of the right portion of the design of FIG. 1 being a mirror image thereof;

FIG. 4 is a front view thereof; and,

FIG. 5 is a rear view thereof.

**1 Claim, 1 Drawing Sheet**



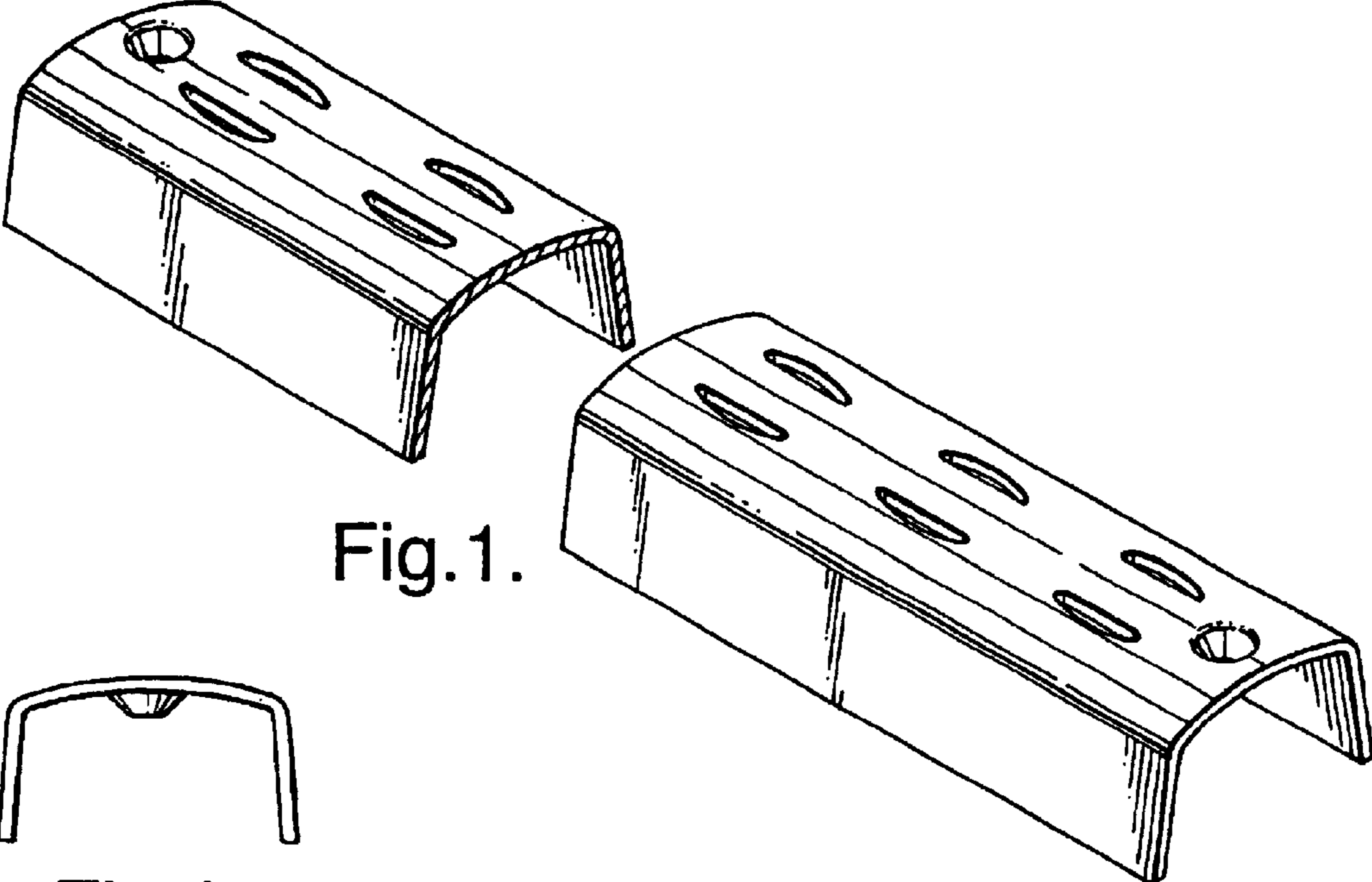


Fig.1.



Fig.2.



Fig.3.

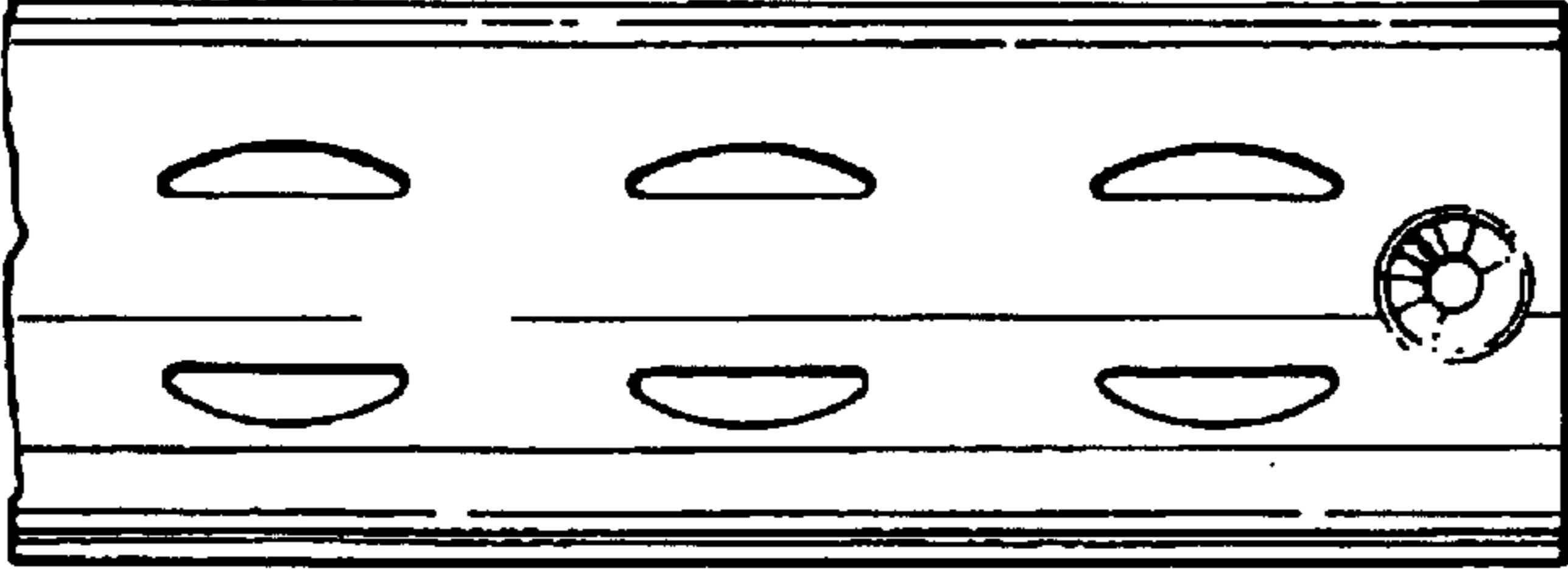


Fig.4.

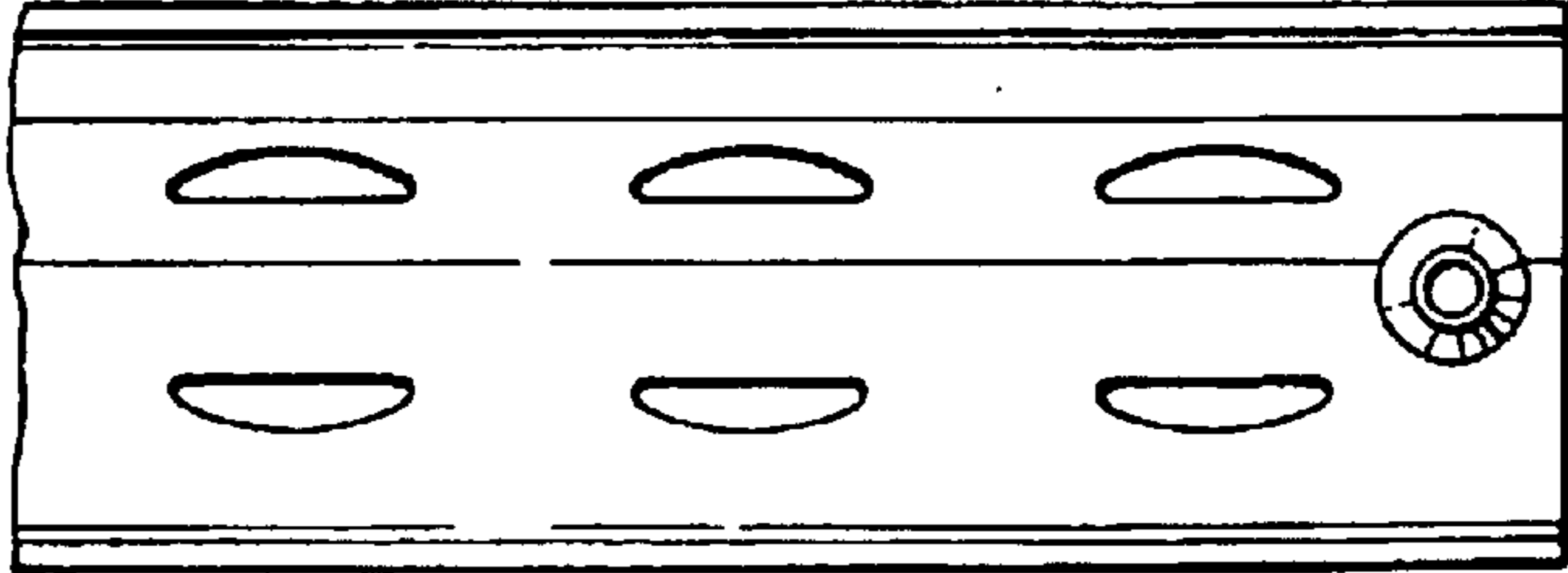


Fig.5.