



US00D493639S1

(12) **United States Design Patent**  
**Williams**

(10) **Patent No.:** **US D493,639 S**

(45) **Date of Patent:** **\*\* Aug. 3, 2004**

(54) **DISPLAY DEVICE**

6,308,831 B1 10/2001 Saxe et al.

(76) **Inventor:** **Stanley D. Williams**, 41 Phillips Rd.,  
Jacksonville, AR (US) 72076

**OTHER PUBLICATIONS**

U.S. patent application Publication No. 2002/0078613, Jun.  
2002 Roberts et al.

U.S. patent application Publication No. 2002/0108287, Aug.  
2002 Tran.

(\*\*) **Term:** **14 Years**

\* cited by examiner

(21) **Appl. No.:** **29/185,959**

(22) **Filed:** **Jul. 8, 2003**

*Primary Examiner*—Cathron Brooks

(74) *Attorney, Agent, or Firm*—Stephen R. Greiner

(51) **LOC (7) Cl.** ..... **06-04**

(52) **U.S. Cl.** ..... **D6/470**

(58) **Field of Search** ..... D6/310, 470–472;  
312/114, 116; 40/792

(57) **CLAIM**

The ornamental design for a display device, as shown and  
described.

(56) **References Cited**

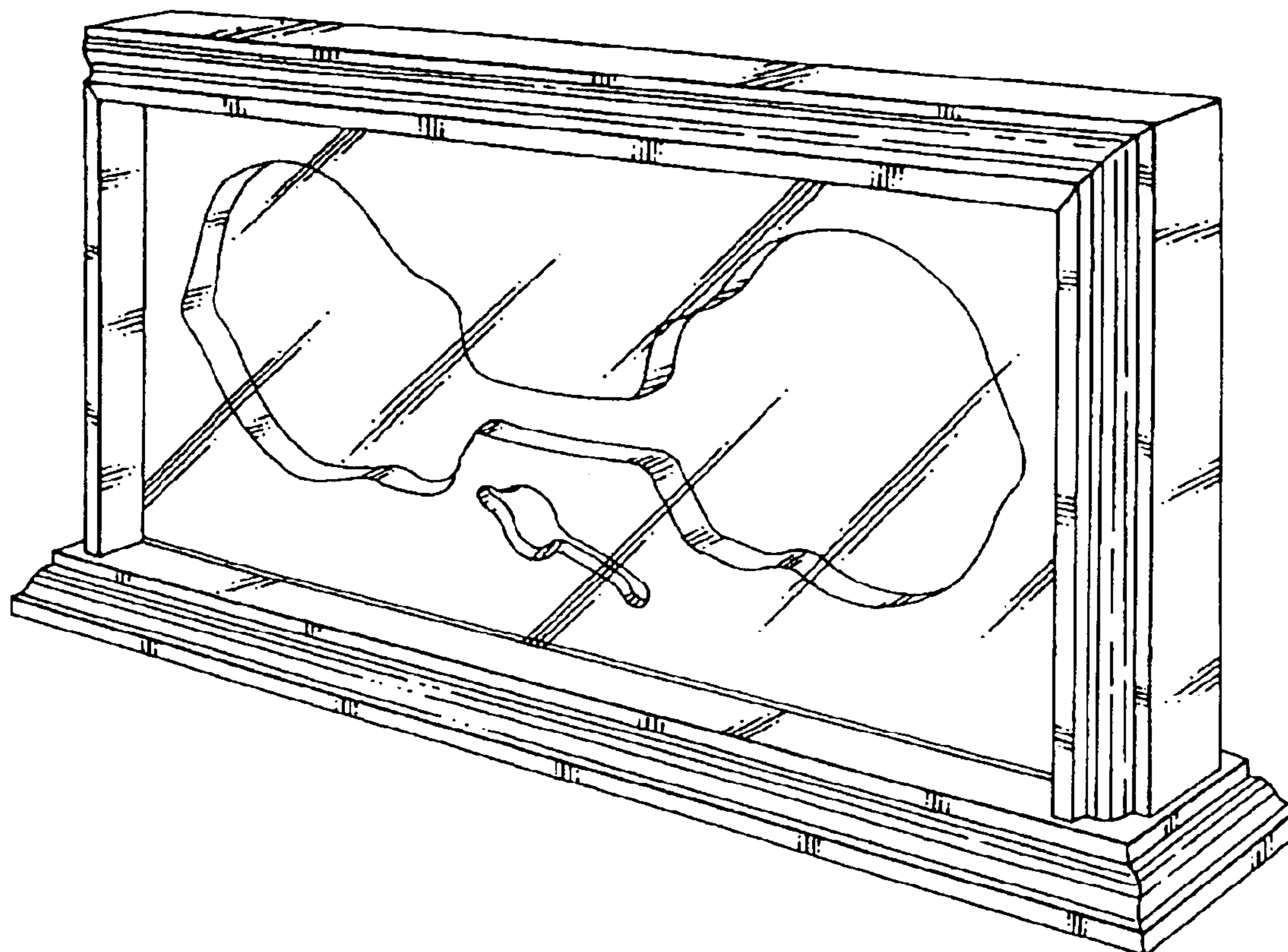
**DESCRIPTION**

**U.S. PATENT DOCUMENTS**

1,759,432 A	5/1930	Brecht	
2,023,260 A	* 12/1935	Beers et al.	312/114
2,449,204 A	9/1948	Curtis	
3,566,526 A	3/1971	La Violette	
3,751,128 A	8/1973	Skinner et al.	
3,789,528 A	2/1974	Knoell et al.	
3,982,343 A	9/1976	Klingler	
4,750,793 A	* 6/1988	Rioux, Sr.	312/114
D351,518 S	* 10/1994	Burgess	D6/470
D353,290 S	12/1994	Shafer	
D357,704 S	* 4/1995	Wolff	D19/90
D373,693 S	* 9/1996	Elhage	D6/470
D418,348 S	* 1/2000	Thibadeau	D6/559

FIG. 1 is a perspective view of a display device showing my  
new design;  
FIG. 2 is a front elevational view thereof;  
FIG. 3 is a top view thereof;  
FIG. 4 is a rear elevational view thereof;  
FIG. 5 is a bottom view thereof;  
FIG. 6 is a right side elevational view with the left side being  
a mirror image thereof; and,  
FIG. 7 is a cross-sectional view taken along line 7—7 of  
FIG. 2.

**1 Claim, 2 Drawing Sheets**



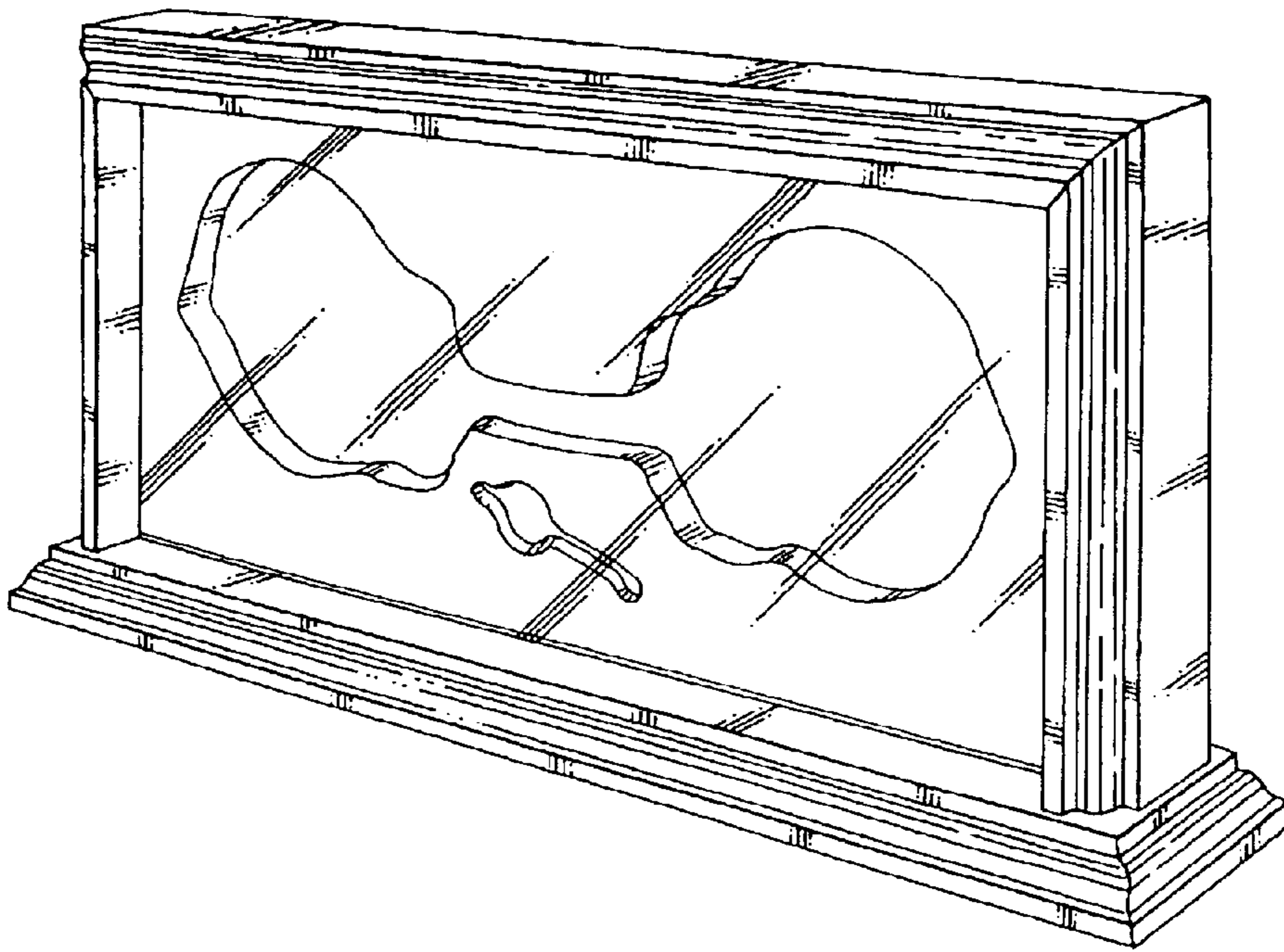


FIG. 1

FIG. 2

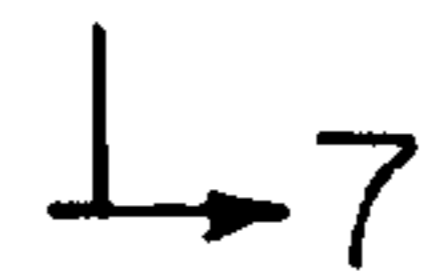
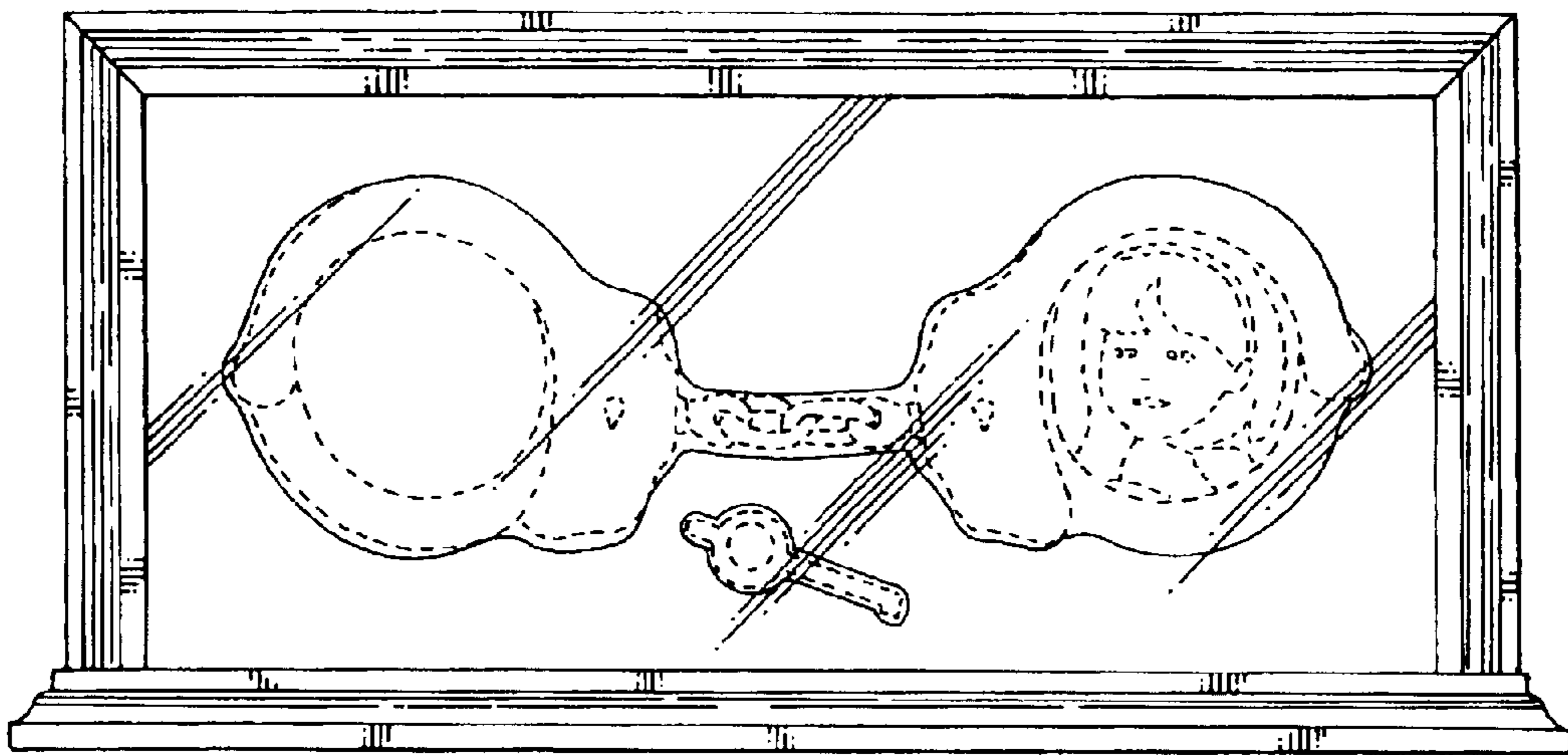
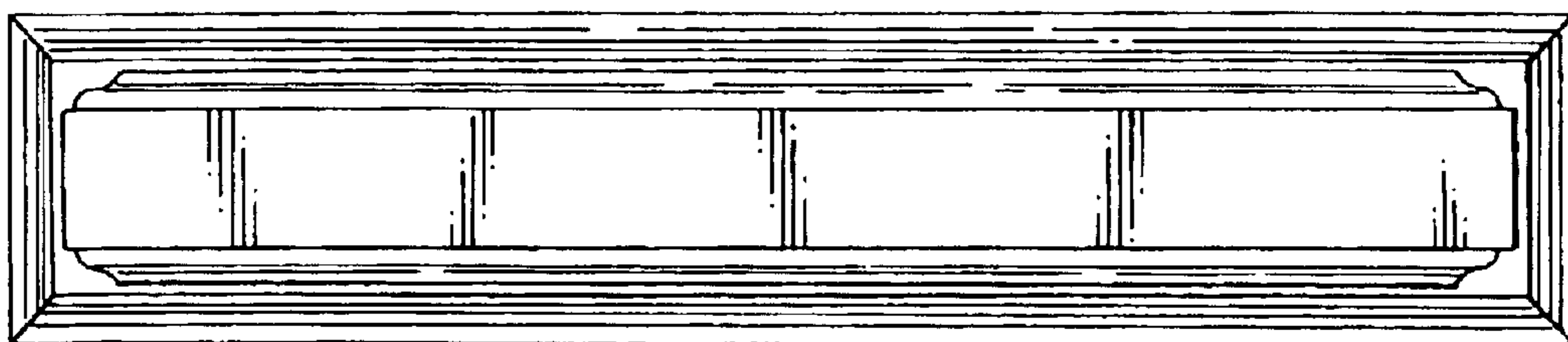


FIG. 3



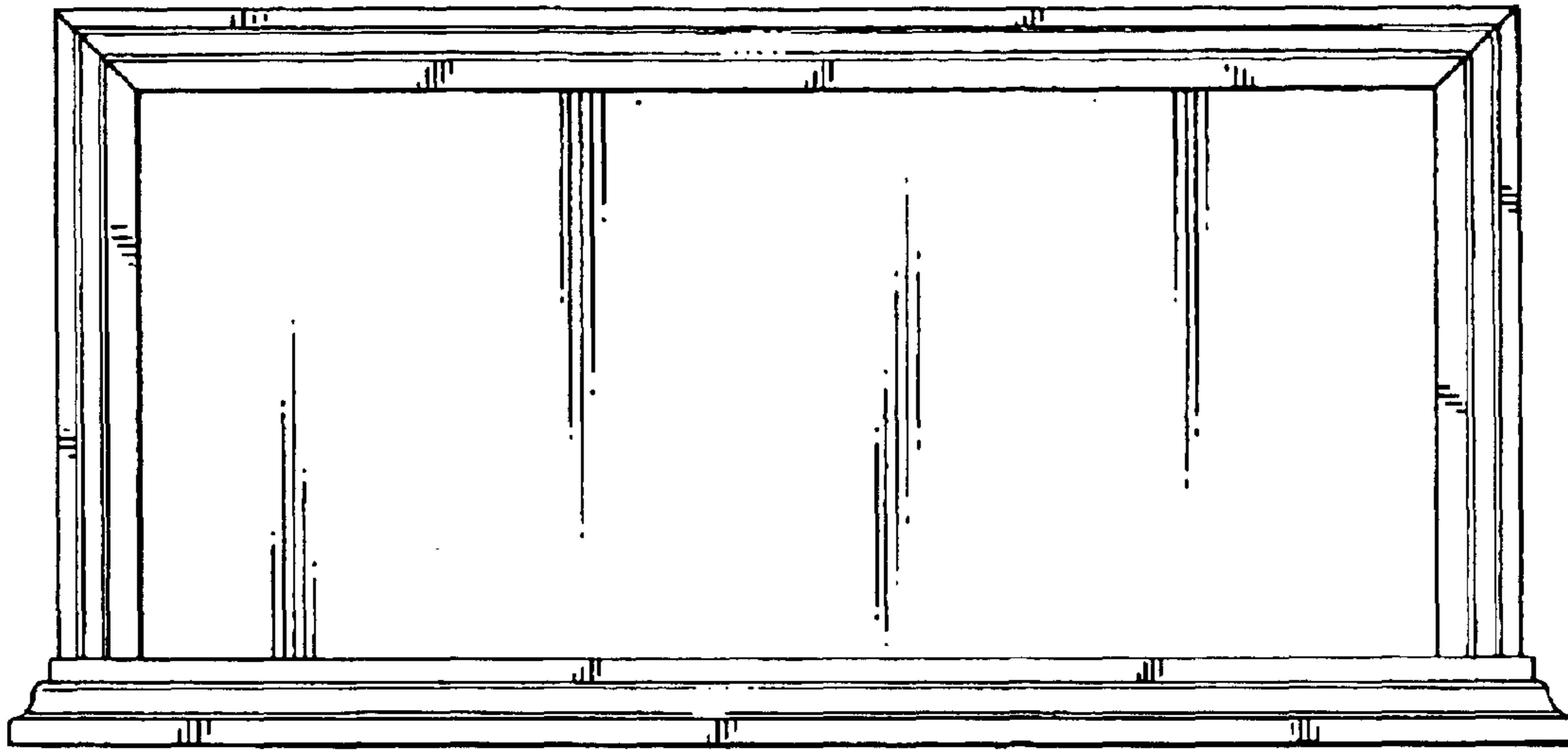


FIG. 4

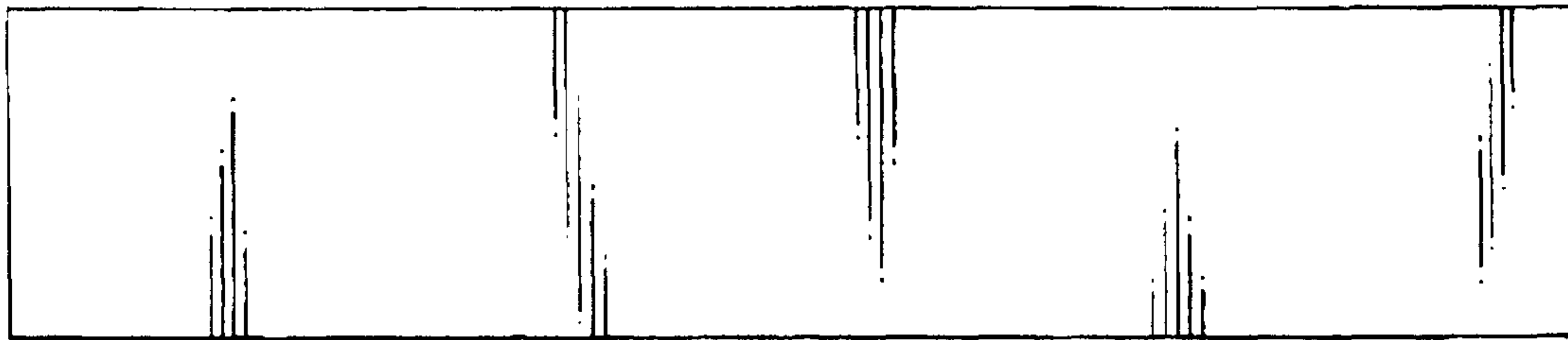


FIG. 5

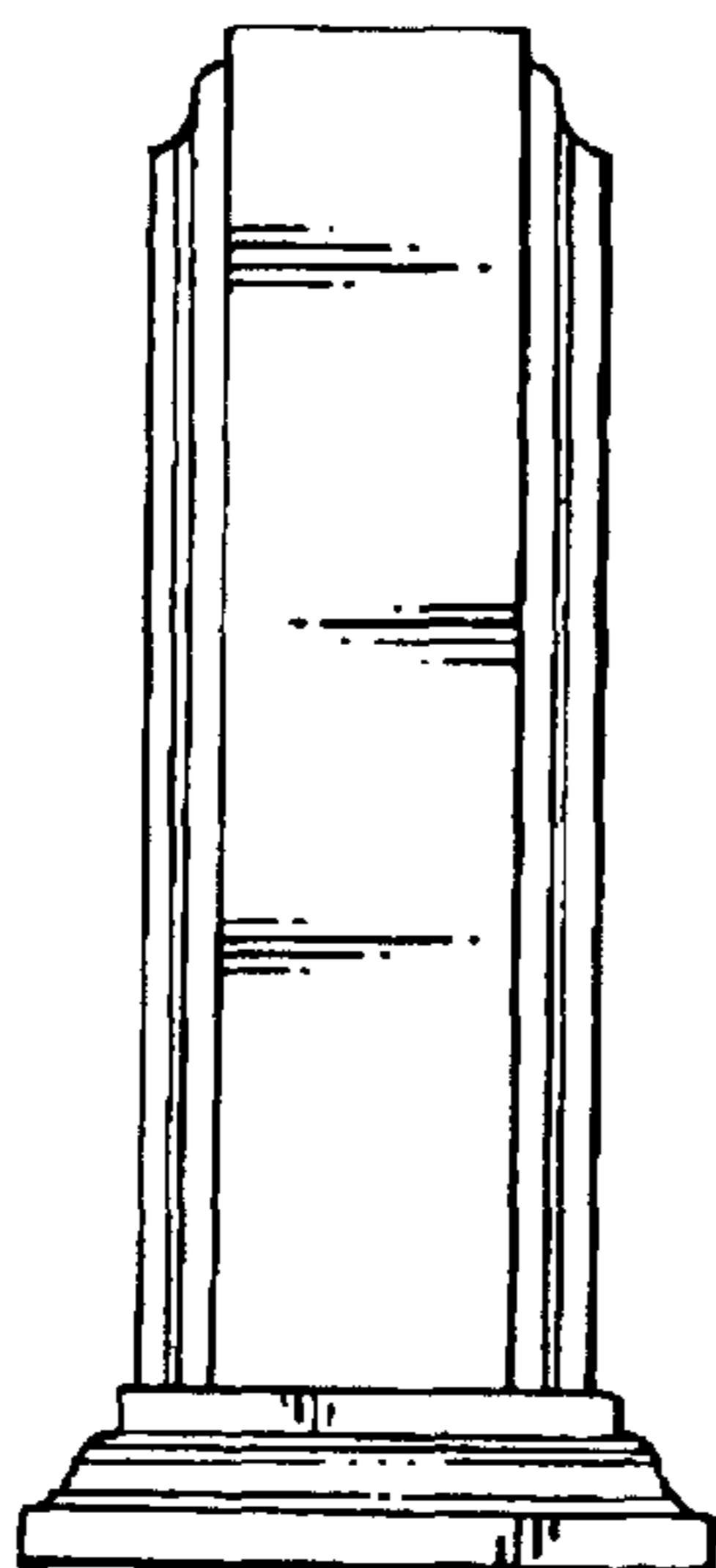


FIG. 6

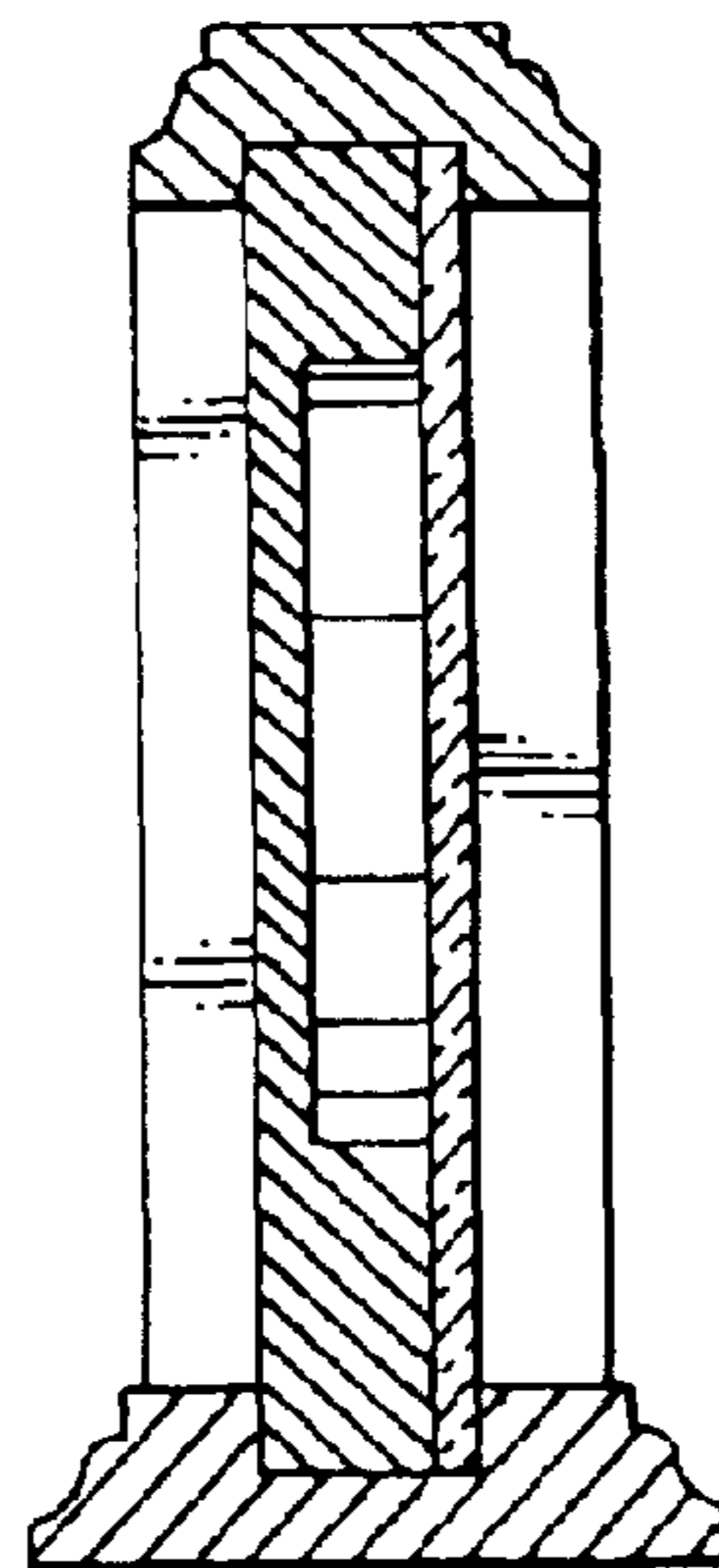


FIG. 7