

US00D493638S1

(12) **United States Design Patent** (10) **Patent No.:** **US D493,638 S**
Peyker (45) **Date of Patent:** **** Aug. 3, 2004**

- (54) **DISPLAY STAND FOR EYEWEAR**
- (75) Inventor: **Katharina Peyker, Salzburg/Anif (AT)**
- (73) Assignee: **Silhouette International Schmied AG, Ellbogerstrasse (AT)**
- (**) Term: **14 Years**
- (21) Appl. No.: **29/192,301**
- (22) Filed: **Oct. 22, 2003**

- D283,862 S 5/1986 Edson et al.
- D334,215 S 3/1993 Rowlands
- D404,224 S 1/1999 Favetta
- D405,989 S 2/1999 Rosso
- D436,787 S 1/2001 London
- D459,137 S 6/2002 Poirier
- D478,227 S 8/2003 Peyker

Primary Examiner—Cathron Brooks
 (74) *Attorney, Agent, or Firm*—Alston & Bird LLP

(57) **CLAIM**

The ornamental design for a display stand for eyewear, as shown and described.

DESCRIPTION

FIG. 1 is a perspective view of a display stand for eyewear according to the present design;
 FIG. 2 is a front elevation view of the display stand as shown in FIG. 1;
 FIG. 3 is a left side elevation view of the display stand as shown in FIG. 1, the right side elevation view being a mirror image thereof;
 FIG. 4 is a top plan view of the display stand as shown in FIG. 1; and,
 FIG. 5 is a bottom plan view of the display stand as shown in FIG. 1.
 The broken lines shown herein are for illustrative purposes only and form no part of the claimed design.

Related U.S. Application Data

- (62) Division of application No. 29/183,715, filed on Jun. 17, 2003, now Pat. No. Des. 484,331.

(30) **Foreign Application Priority Data**

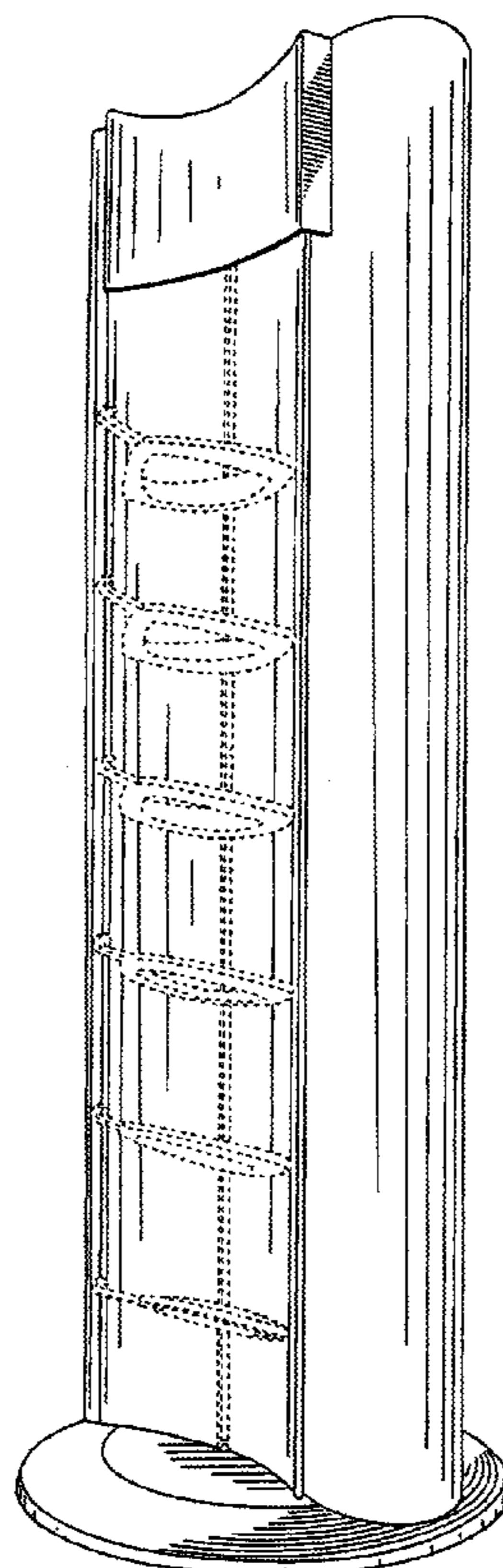
- Mar. 24, 2003 (AT) 997/2003
- (51) **LOC (7) Cl.** **06-04**
- (52) **U.S. Cl.** **D6/468**
- (58) **Field of Search** D6/630, 455-469,
 D6/474; 108/59, 91-93, 106, 147.12, 147.13;
 211/13.1, 85.1, 85.21, 49.1, 50, 70, 74,
 78

(56) **References Cited**

U.S. PATENT DOCUMENTS

- D215,900 S 11/1969 Combs

1 Claim, 4 Drawing Sheets



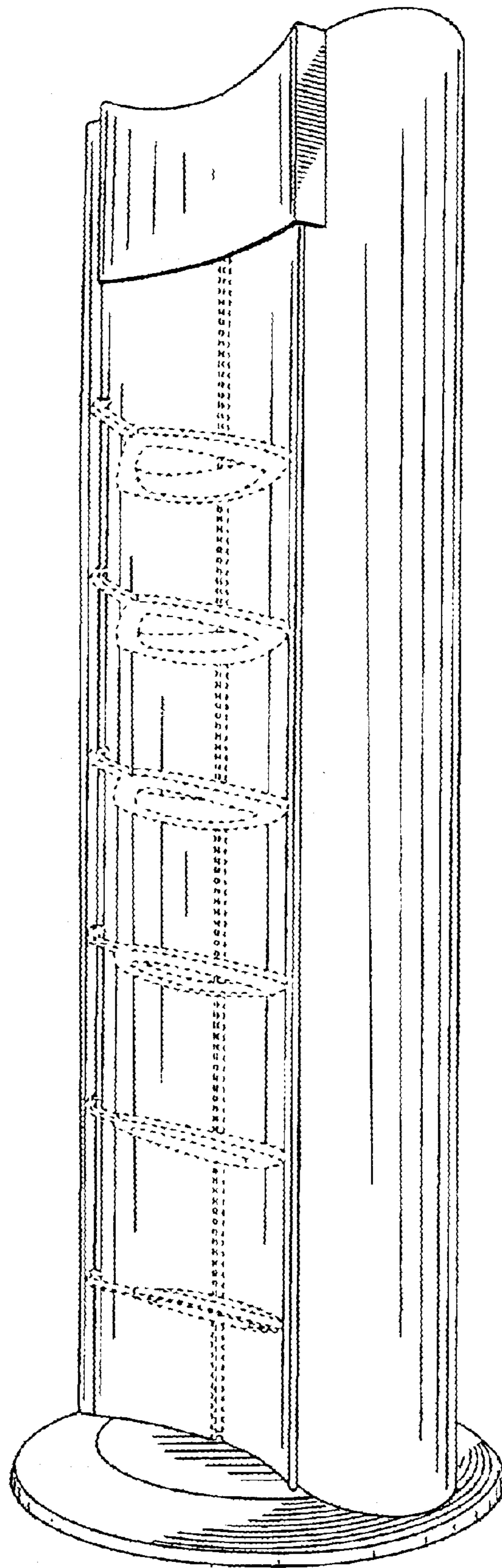


FIG. 1

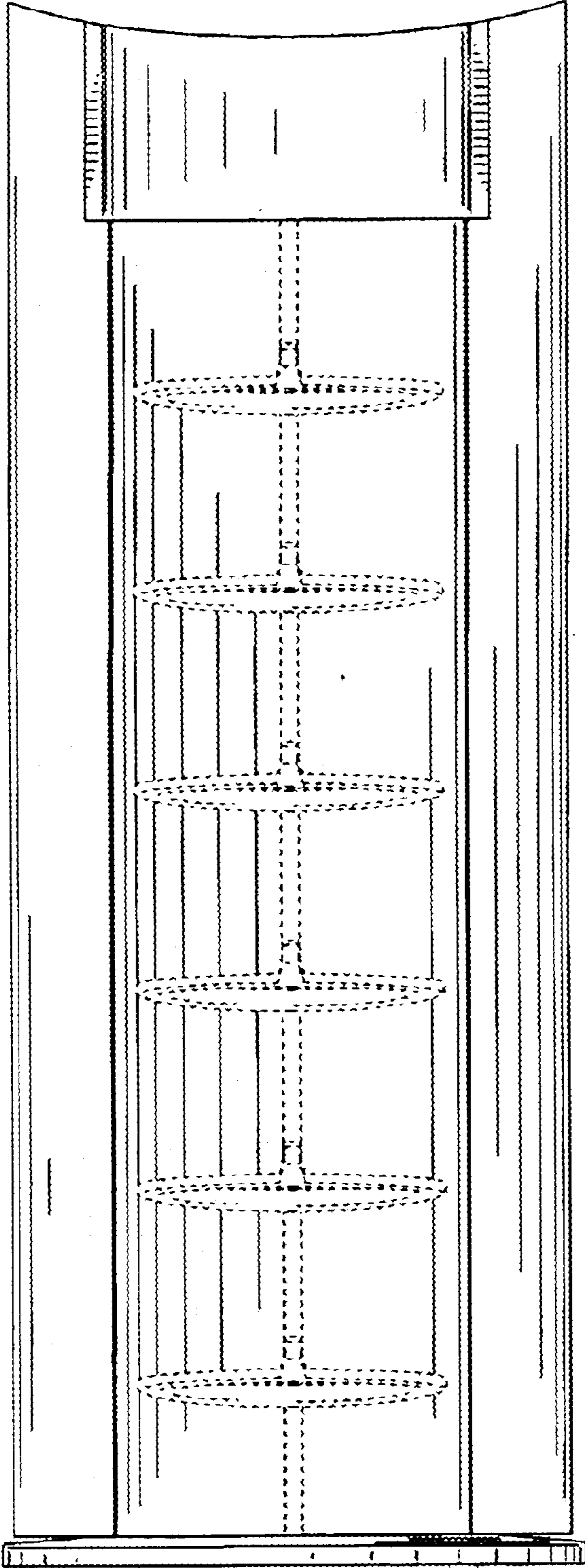


FIG. 2

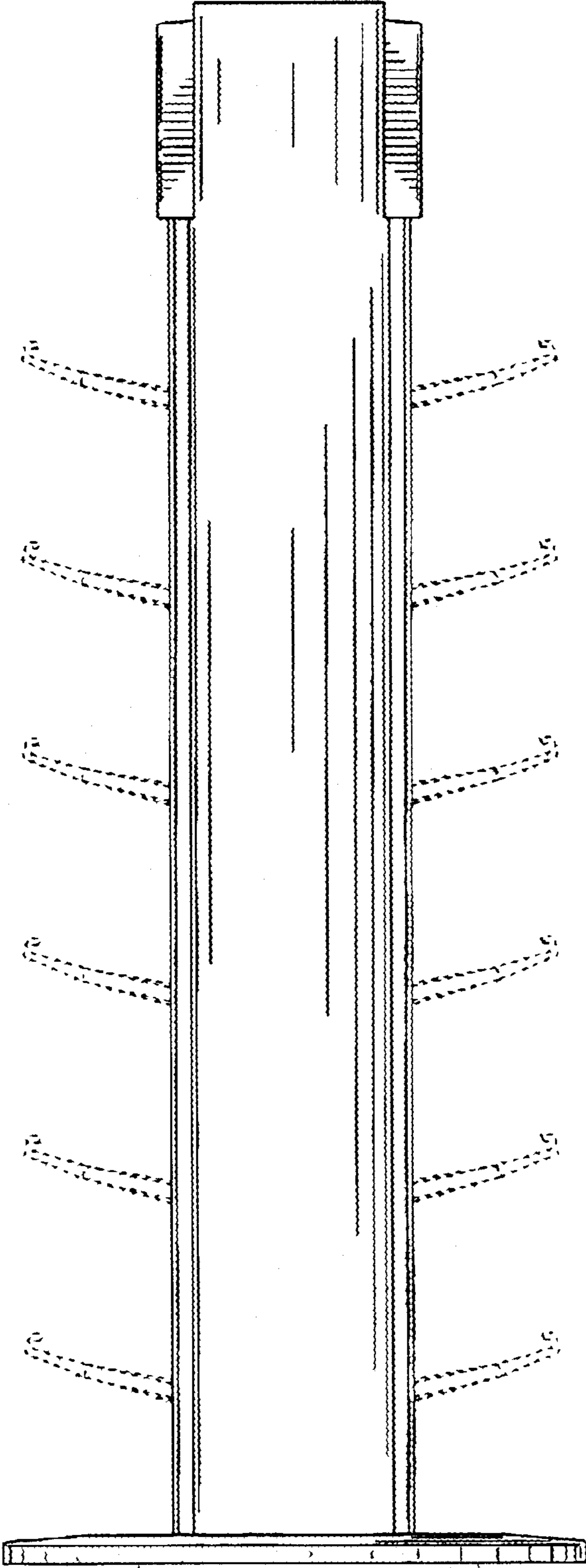


FIG. 3

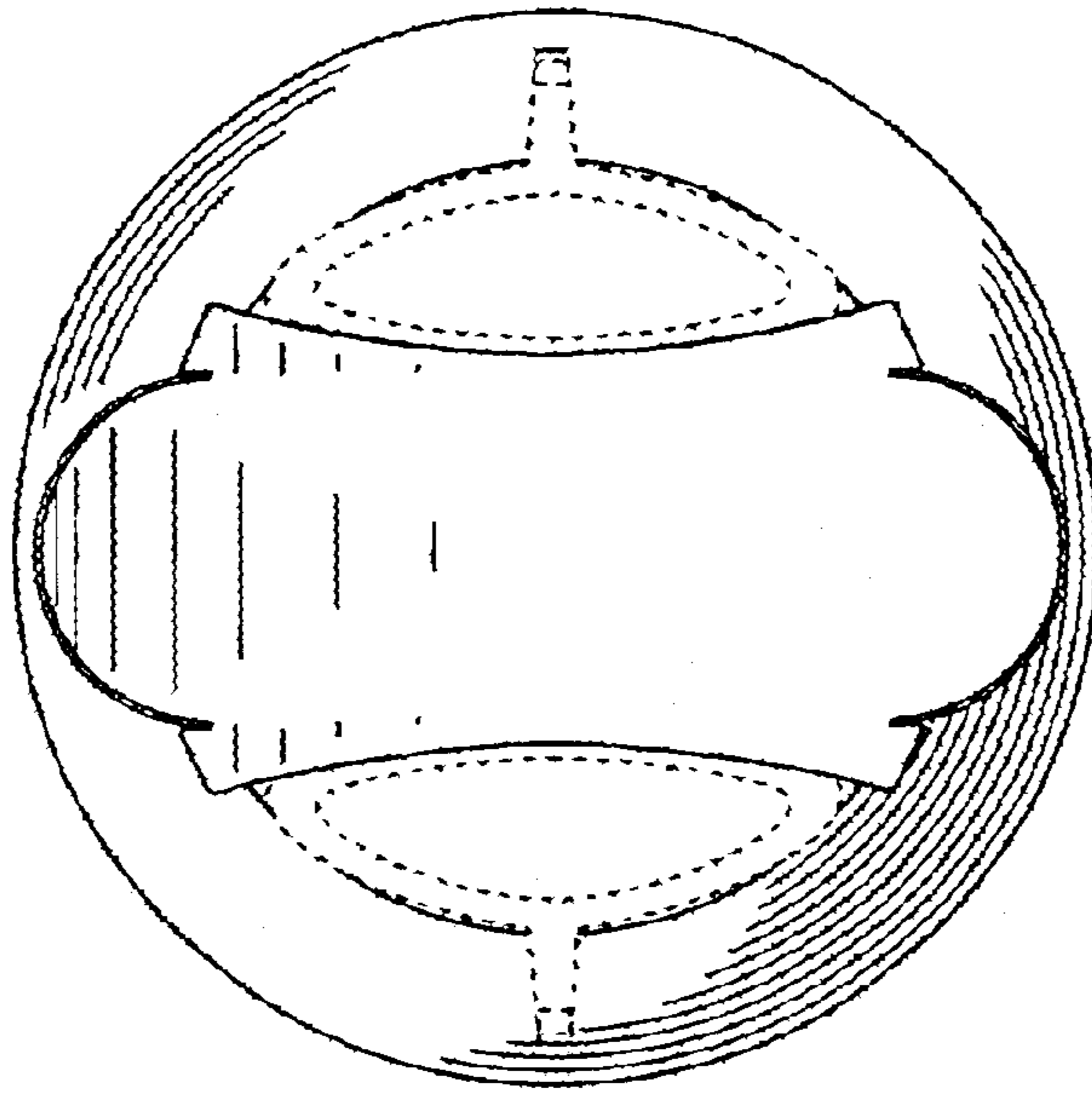


FIG. 4

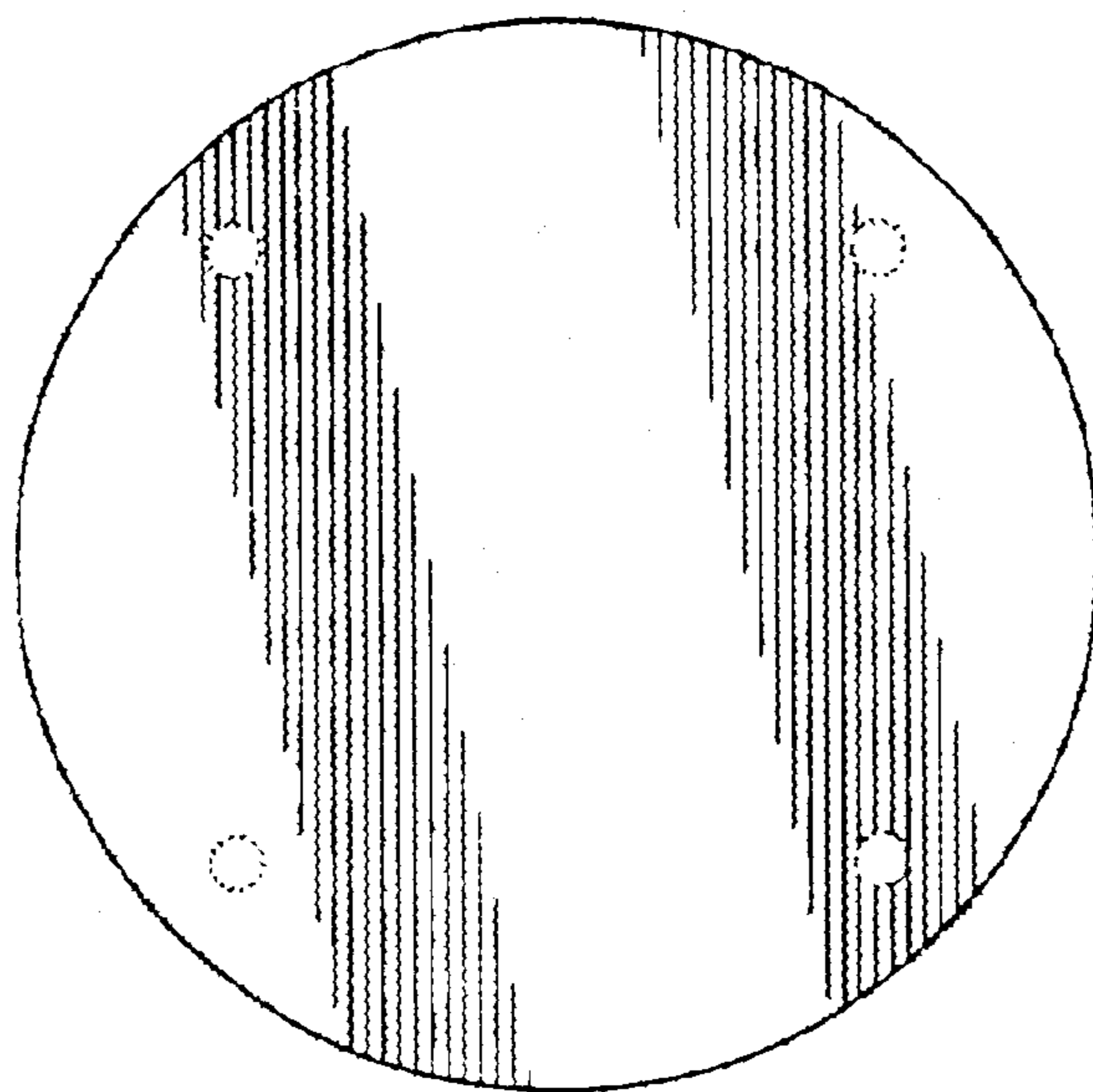


FIG. 5