

US00D493635S1

(12) **United States Design Patent** (10) **Patent No.:** **US D493,635 S**  
**Webster et al.** (45) **Date of Patent:** **\*\* Aug. 3, 2004**

(54) **LAUNDRY CABINET**

(75) Inventors: **Anthony Webster**, Minneapolis, MN (US); **Peter Barr**, Minneapolis, MN (US)

(73) Assignee: **Barr Web Industries, Inc.**, Minneapolis, MN (US)

(\*\*) Term: **14 Years**

(21) Appl. No.: **29/180,928**

(22) Filed: **May 5, 2003**

(51) **LOC (7) Cl.** ..... **06-04**

(52) **U.S. Cl.** ..... **D6/439**

(58) **Field of Search** ..... D6/432, 436, 437-441, D6/445, 446; D34/19; 312/204, 213, 249.1, 249.8

(56) **References Cited**

**U.S. PATENT DOCUMENTS**

- D99,958 S \* 6/1936 Morgan ..... D6/446
- D188,116 S \* 6/1960 Roehm ..... D6/439
- D223,840 S \* 6/1972 Loewy ..... D6/433
- D234,389 S \* 2/1975 Hodges ..... D6/439

- D240,279 S \* 6/1976 Boldt et al. .... D7/307
- D245,562 S \* 8/1977 Robinson ..... D6/439
- D326,023 S \* 5/1992 Hurn ..... D6/438
- D479,058 S \* 9/2003 Walker ..... D6/448

\* cited by examiner

*Primary Examiner*—Cathron Brooks

(74) *Attorney, Agent, or Firm*—Jacobson & Johnson

(57) **CLAIM**

The ornamental design for a laundry cabinet, as shown and described.

**DESCRIPTION**

FIG. 1 is a perspective view of a laundry cabinet, showing my design

FIG. 2 is a top view;

FIG. 3 is a front view;

FIG. 4 is a bottom view;

FIG. 5 is a back view;

FIG. 6 is a right side elevation view; and,

FIG. 7 is a left side elevation view.

The broken lines shown are for illustrative purposes only and form no part of the claimed design.

**1 Claim, 3 Drawing Sheets**

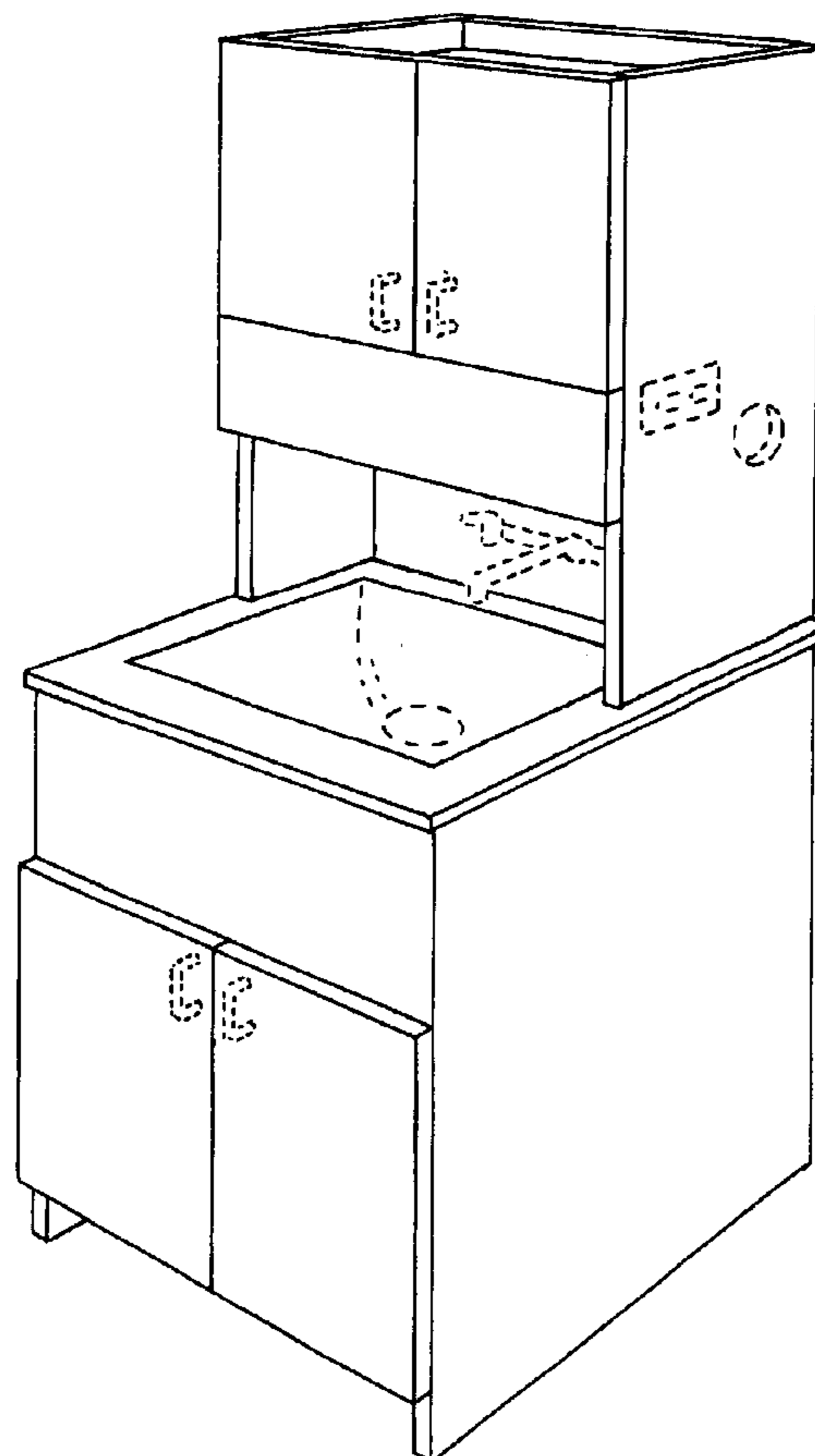


FIG. 1

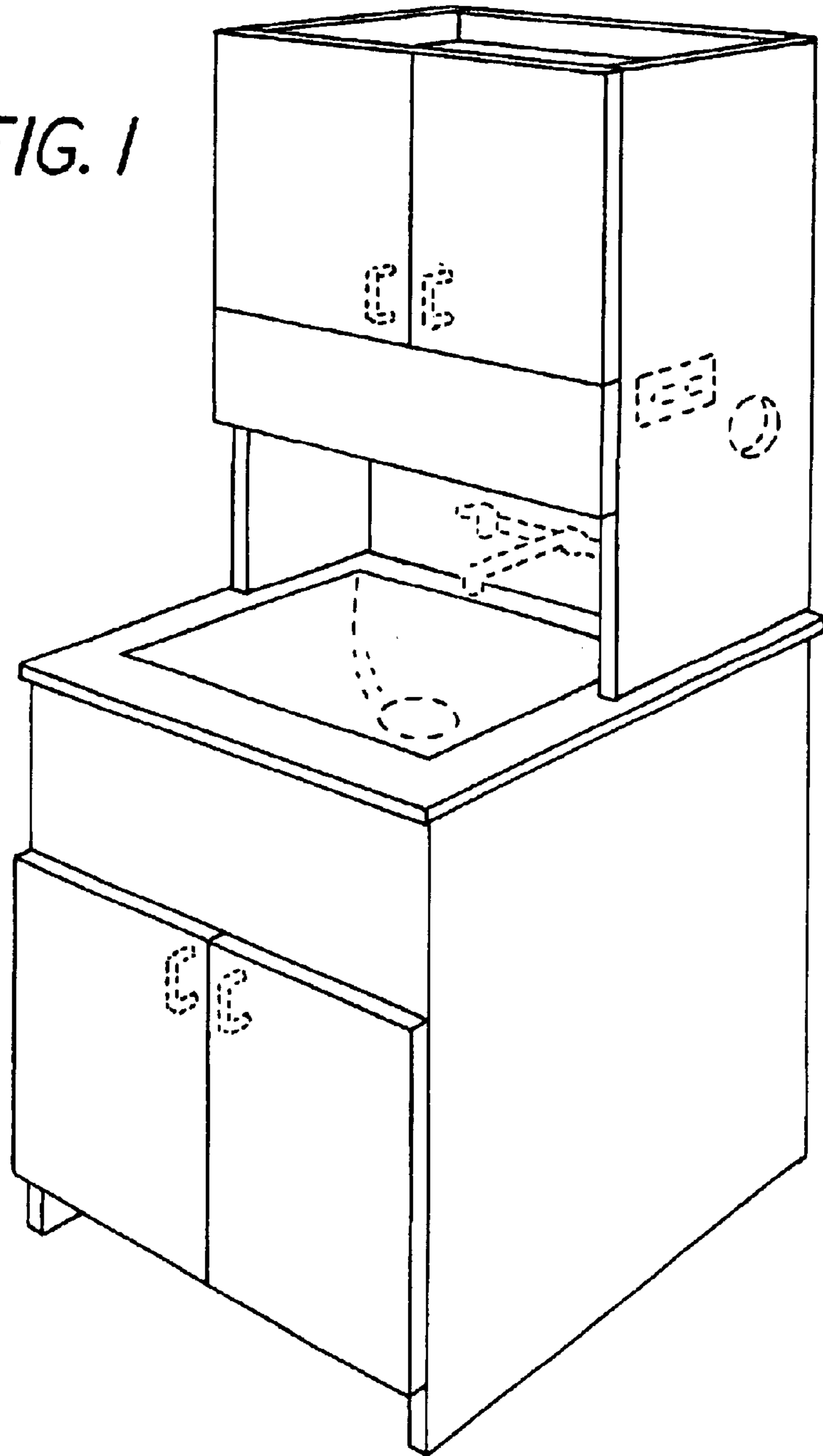


FIG. 2

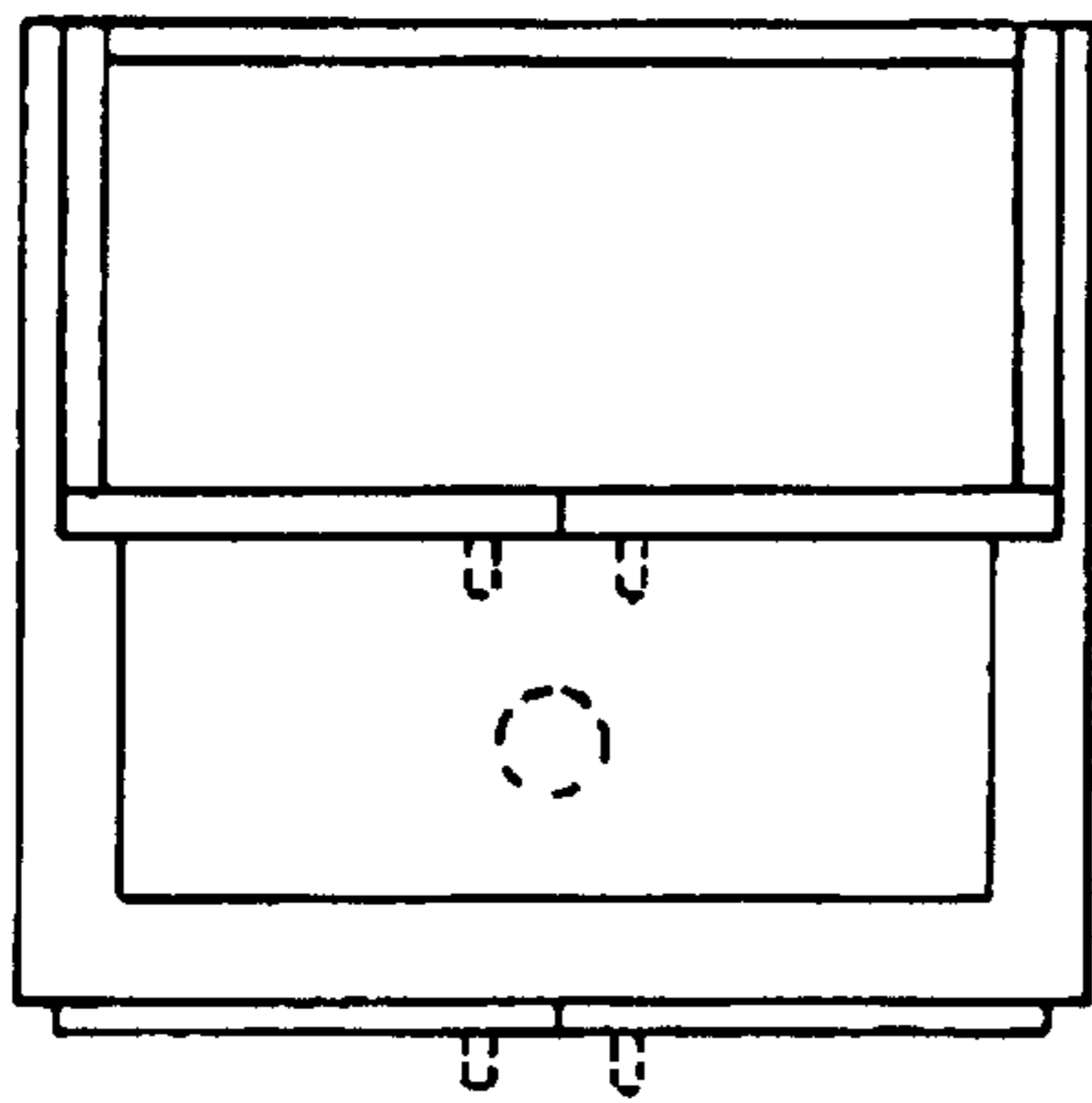


FIG. 3

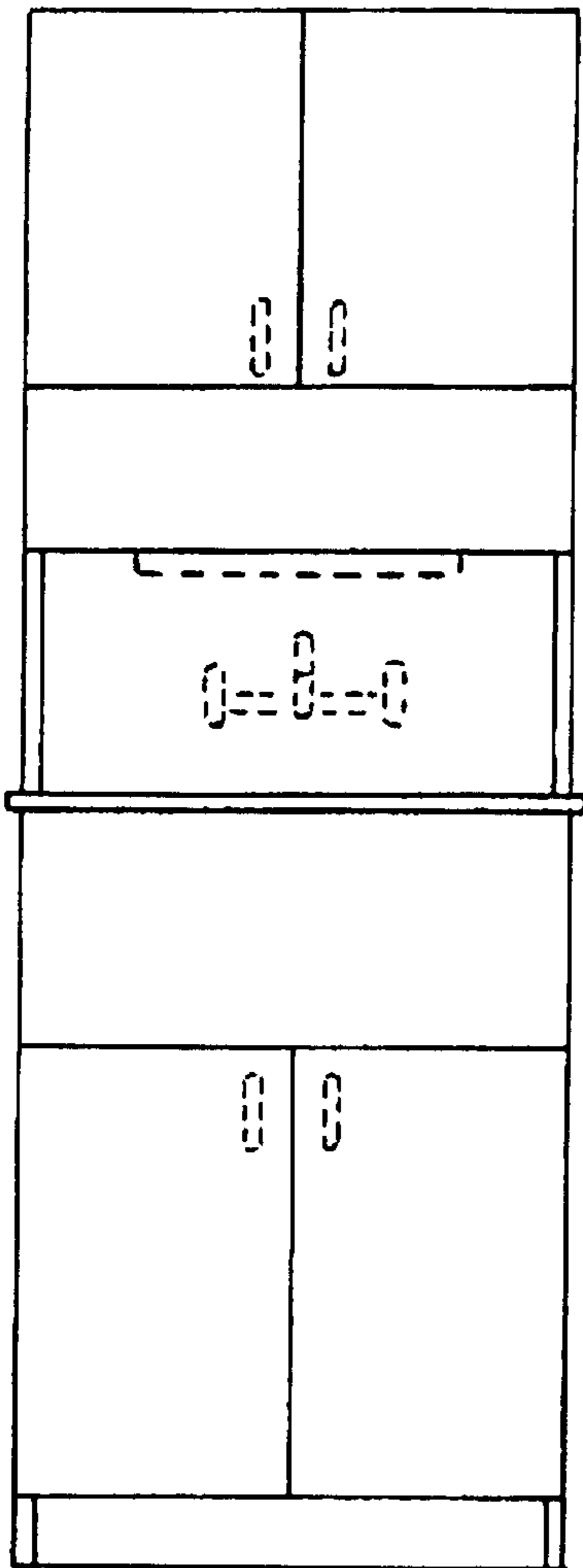


FIG. 4

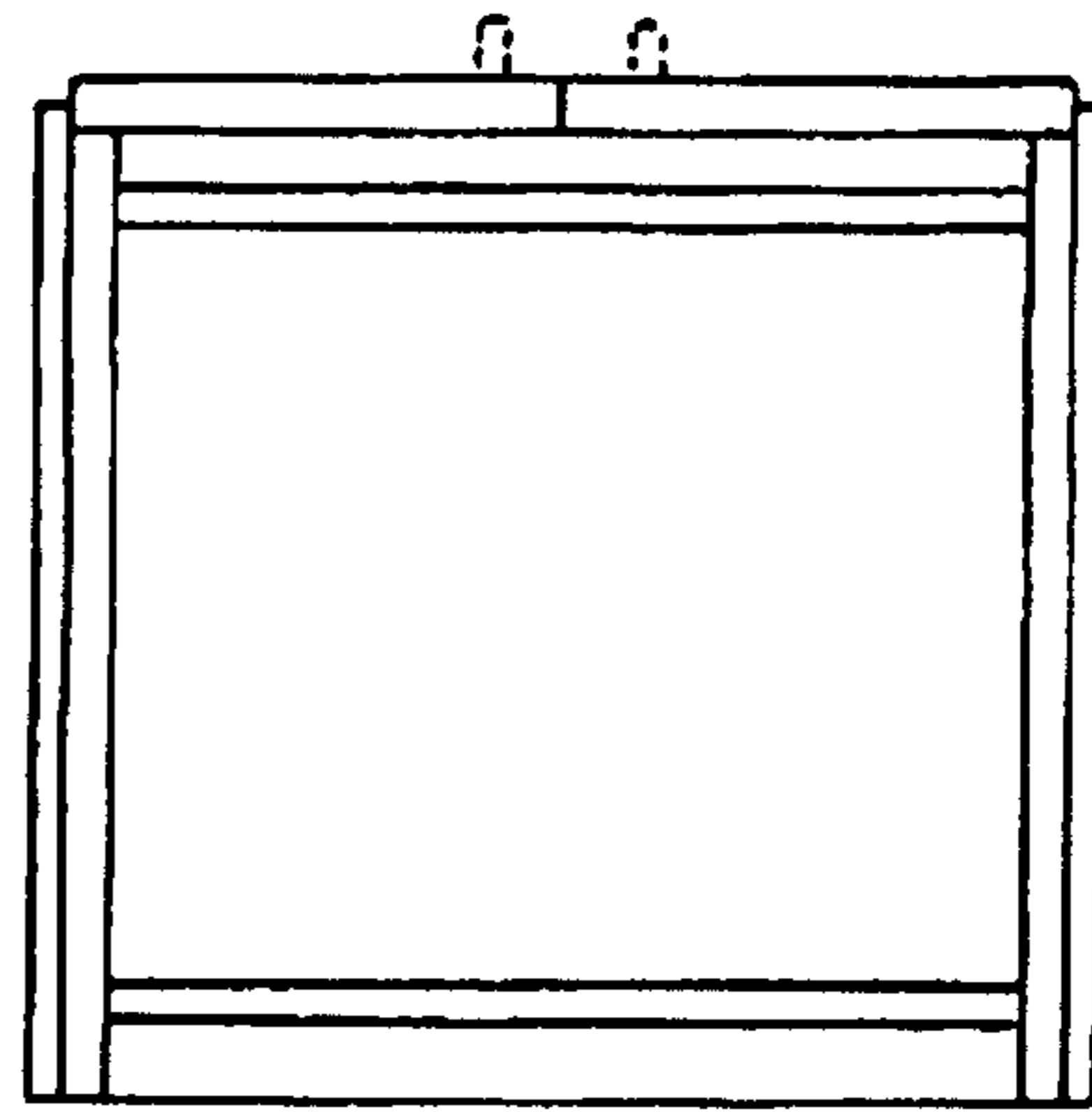


FIG. 5

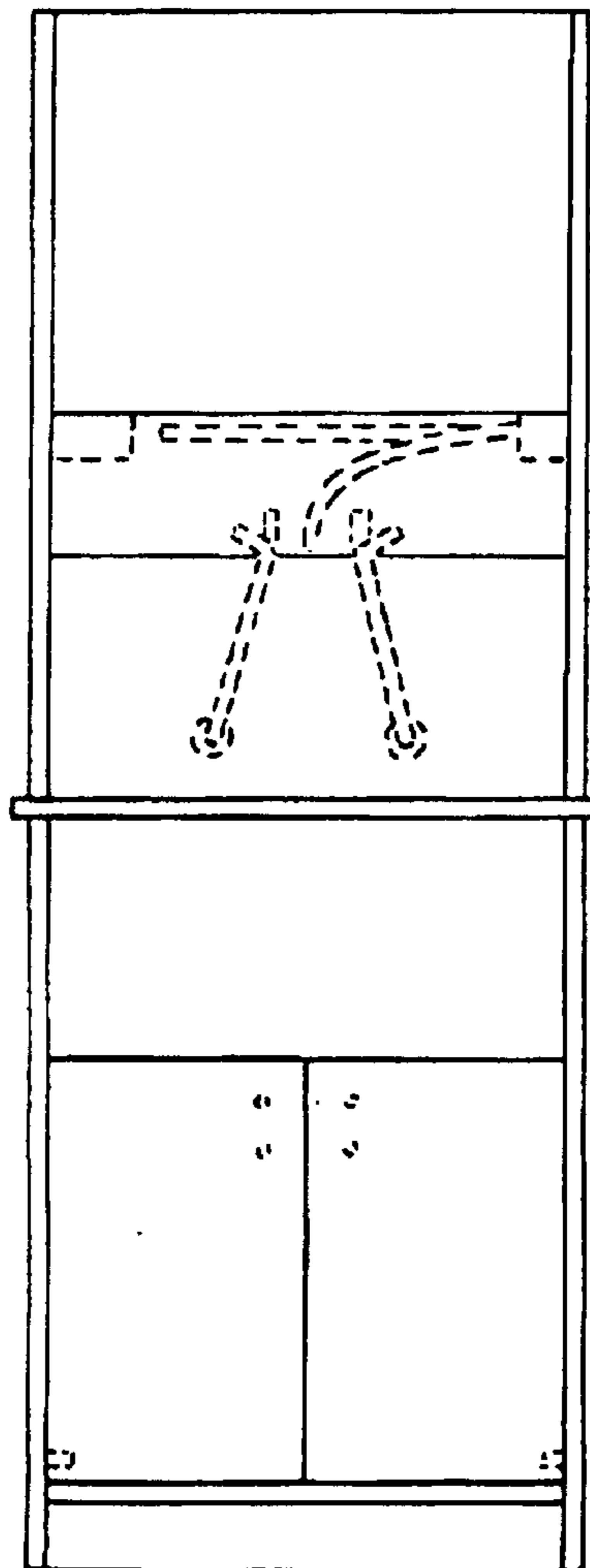


FIG. 6

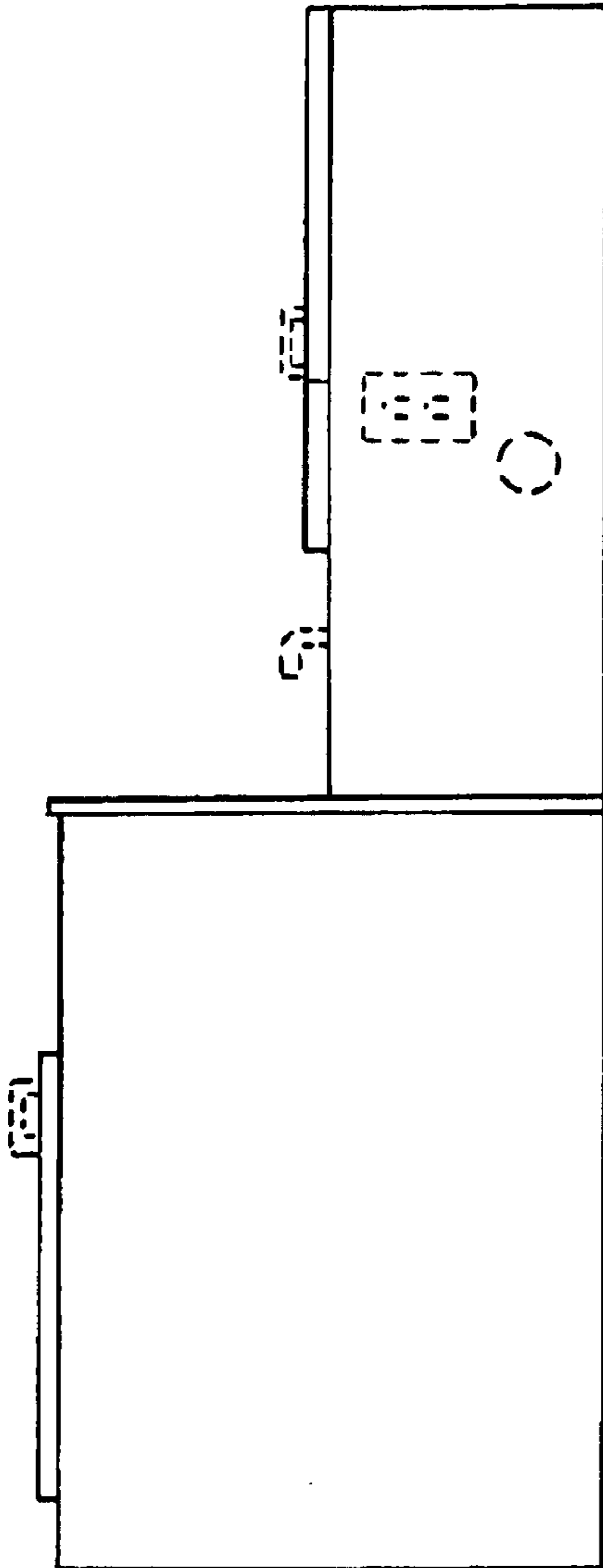


FIG. 7

