

US00D493627S1

(12) **United States Design Patent**
Ma

(10) **Patent No.:** **US D493,627 S**

(45) **Date of Patent:** **** Aug. 3, 2004**

(54) **ARM CHAIR**

D453,079 S * 1/2002 Ma D6/366
D456,159 S * 4/2002 Ball et al. D6/366
D456,626 S * 5/2002 Su D6/366

(76) **Inventor:** **Chien-Shen Ma**, No. 226, Ming-Chuen Street, Nantou City (TW)

* cited by examiner

(**) **Term:** **14 Years**

Primary Examiner—Gary D. Watson

(21) **Appl. No.:** **29/168,172**

(74) *Attorney, Agent, or Firm*—Connolly Bove Lodge & Hutz

(22) **Filed:** **Sep. 27, 2002**

(57) **CLAIM**

(51) **LOC (7) Cl.** **06-01**

The ornamental design for an arm chair, as shown and described.

(52) **U.S. Cl.** **D6/366**

(58) **Field of Search** D6/334, 364, 365,
D6/366, 367, 500, 501, 502; 297/411.2,
411.27, 411.36

DESCRIPTION

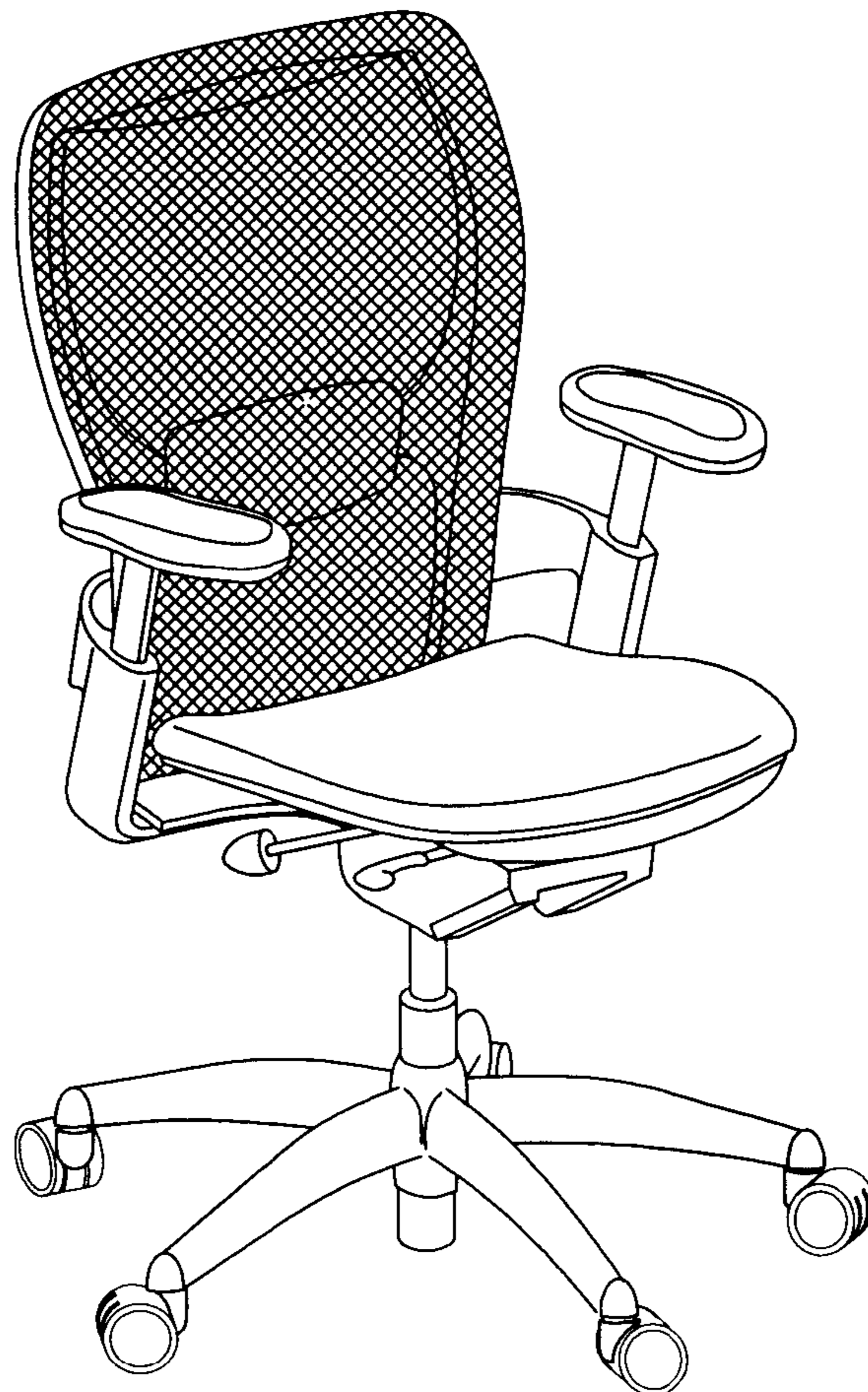
(56) **References Cited**

FIG. 1 is a perspective view of an arm chair showing my new design;
FIG. 2 is a front elevational view thereof;
FIG. 3 is a rear elevational view thereof;
FIG. 4 is a right side elevational view thereof;
FIG. 5 is a left side elevational view thereof;
FIG. 6 is a top plan view thereof; and,
FIG. 7 is a bottom plan view thereof.

U.S. PATENT DOCUMENTS

D445,580 S * 7/2001 Pennington et al. D6/366
D446,033 S * 8/2001 Koepke et al. D6/366
D446,396 S * 8/2001 Phillips et al. D6/366
D449,174 S * 10/2001 Neil D6/366
D451,293 S * 12/2001 Su D6/366
D452,387 S * 12/2001 Ambasz D6/366

1 Claim, 4 Drawing Sheets



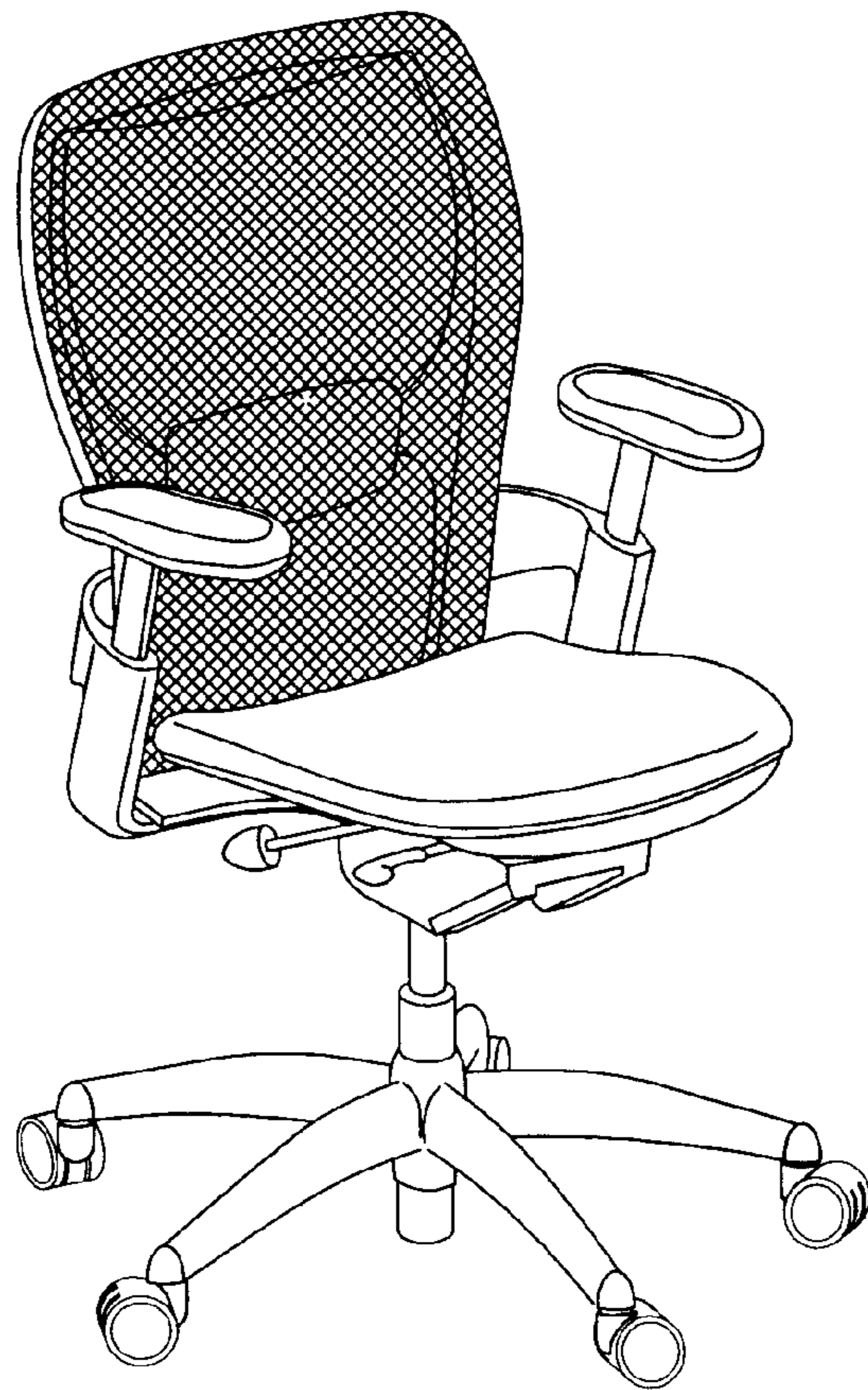


FIG. 1

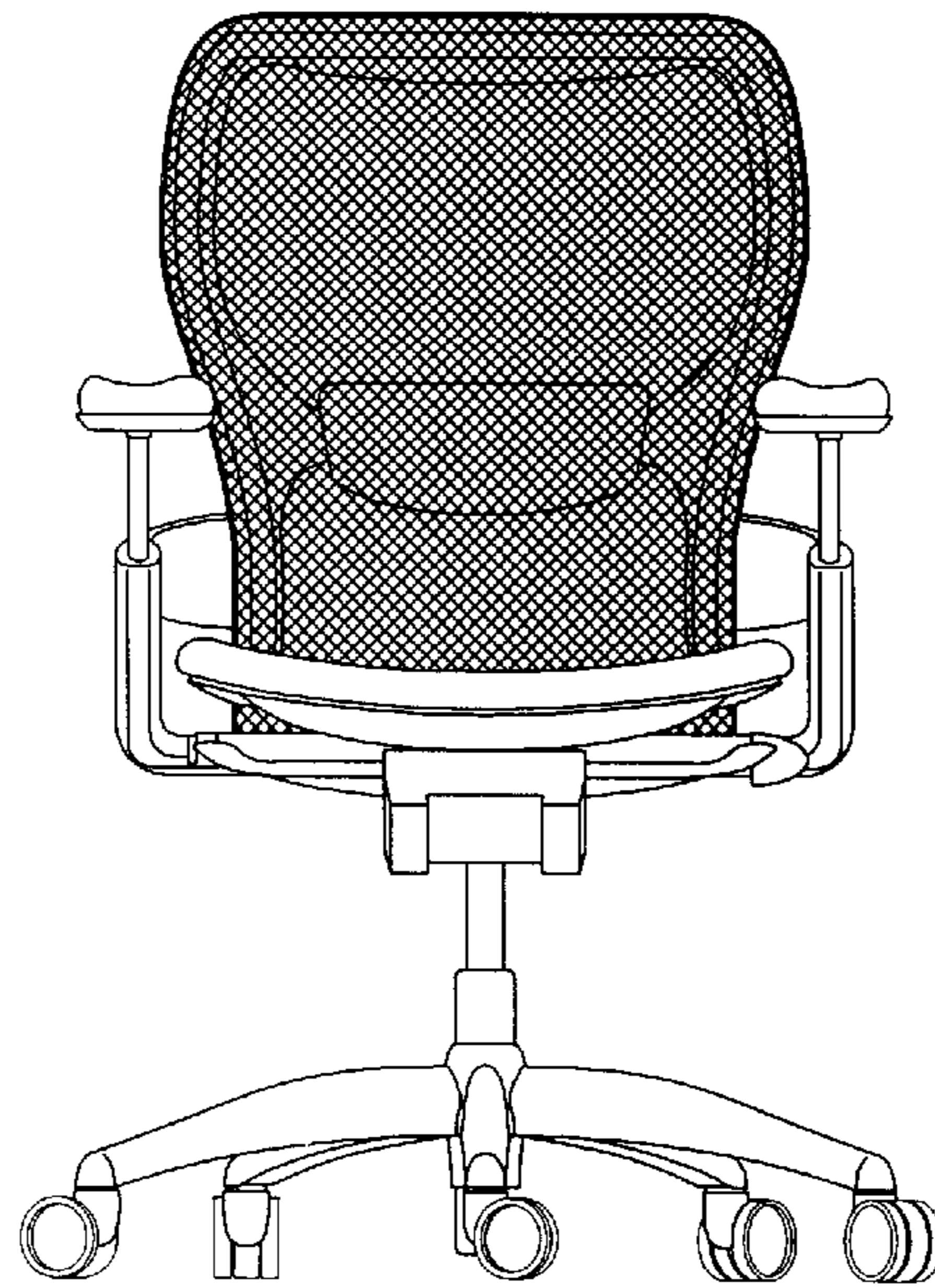


FIG. 2

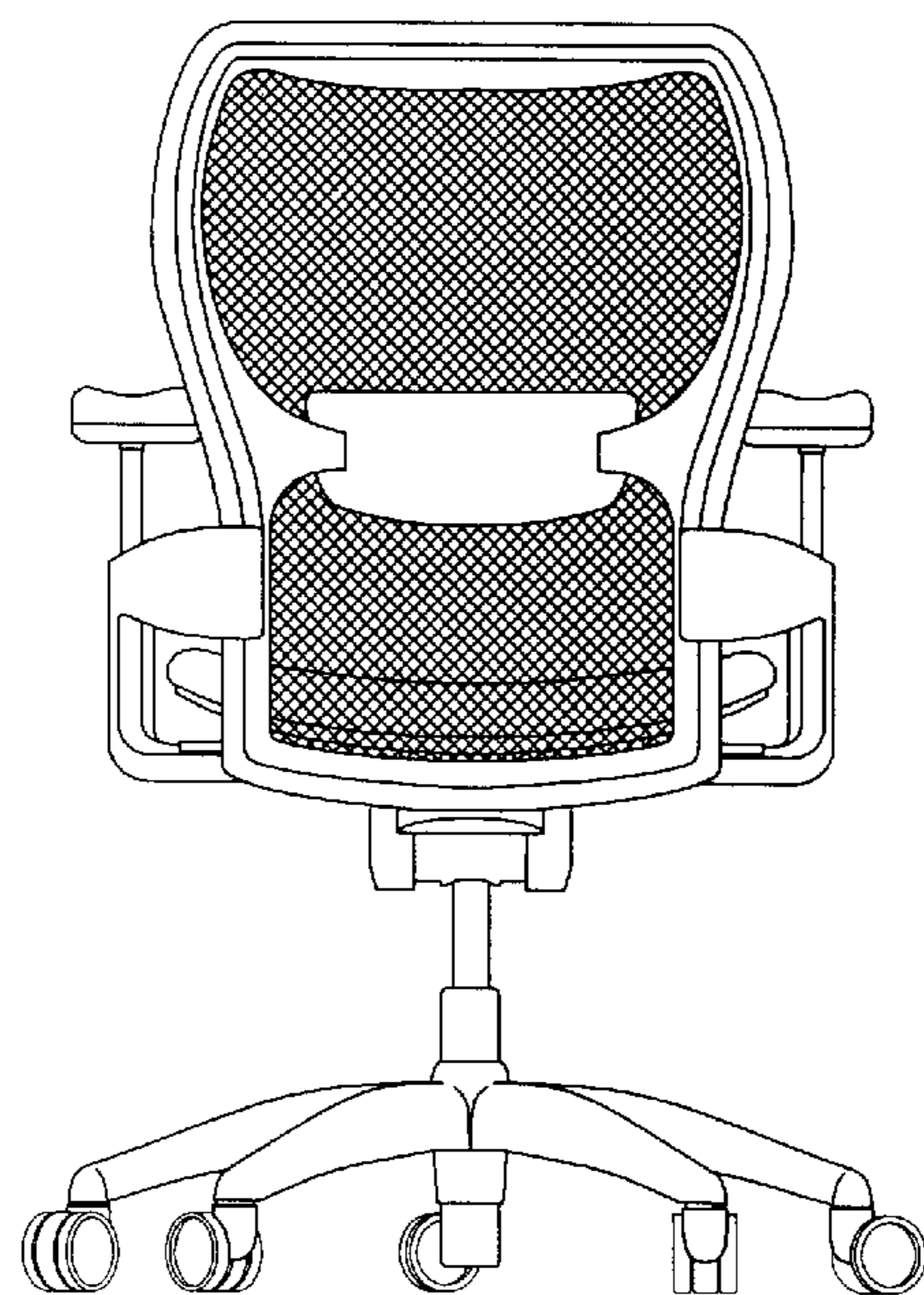


FIG. 3

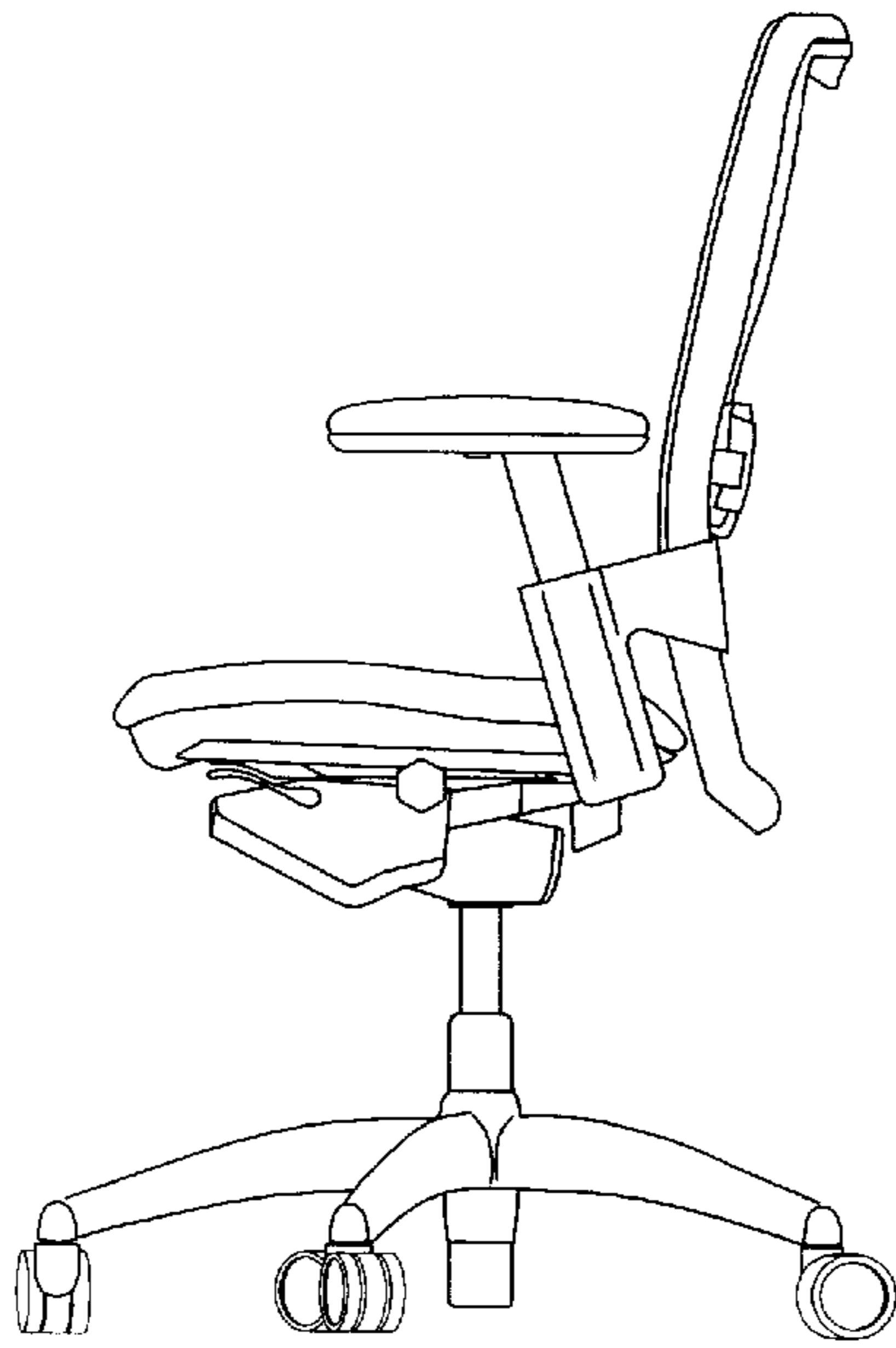


FIG. 4

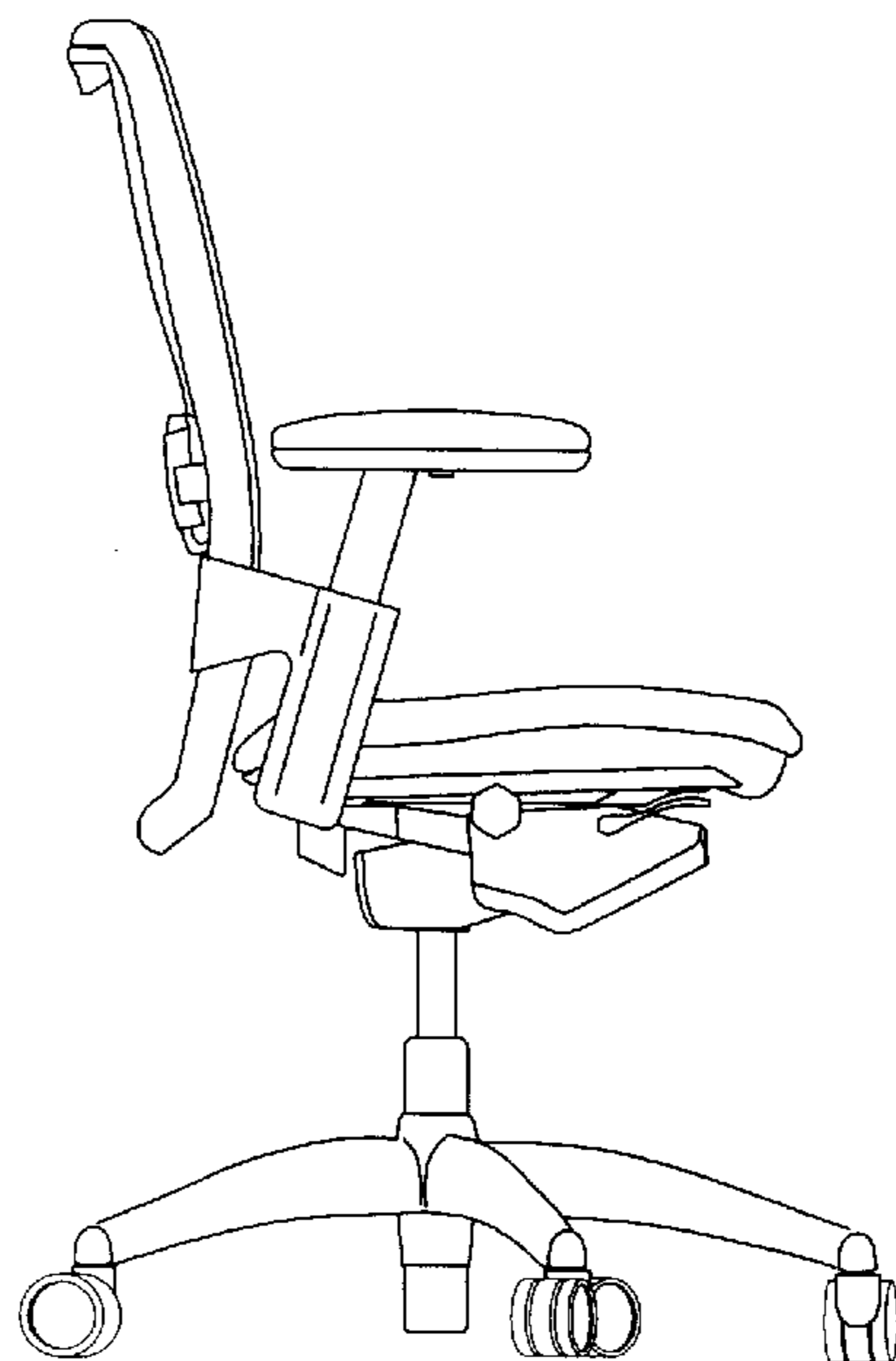


FIG. 5

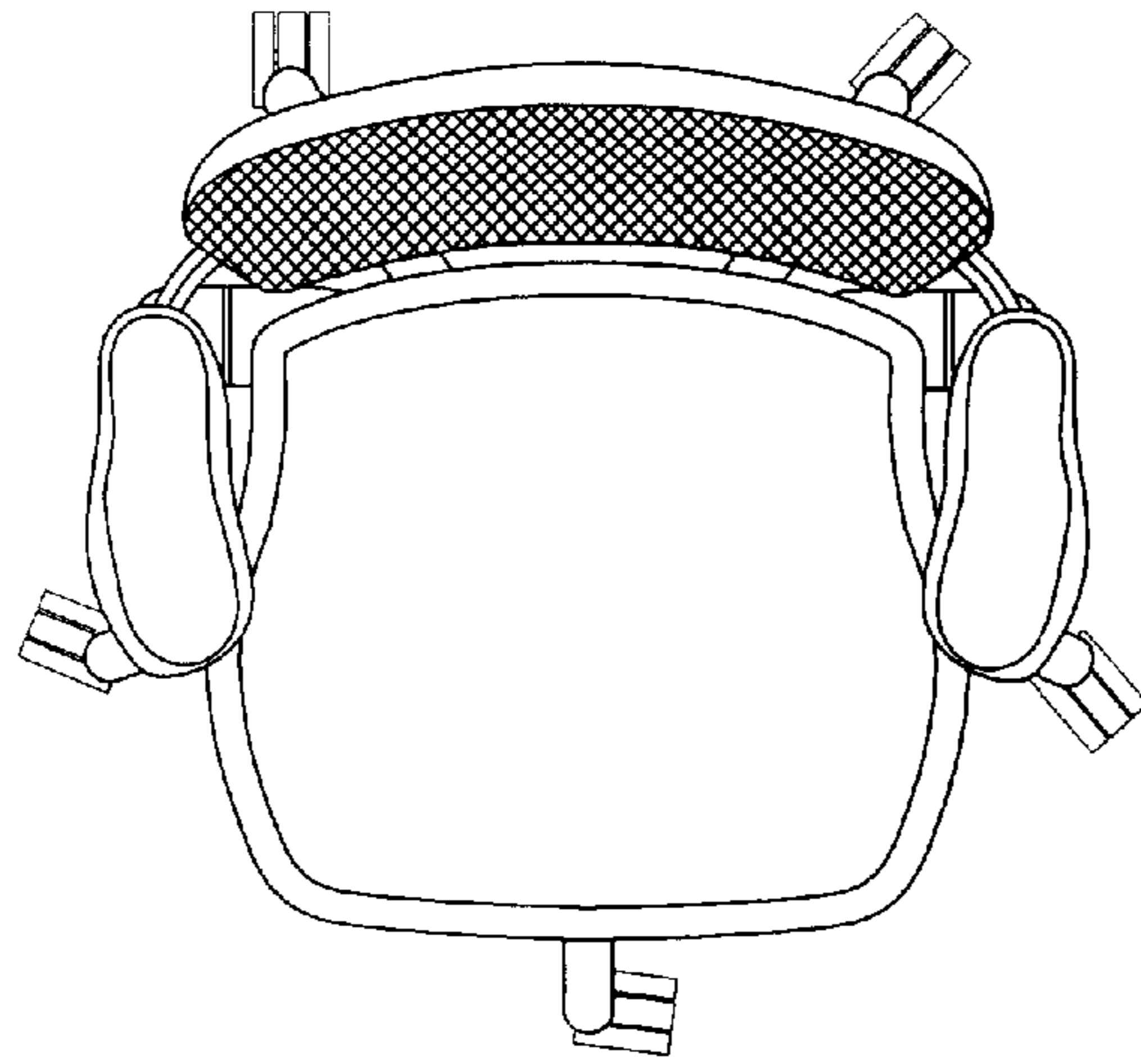


FIG. 6

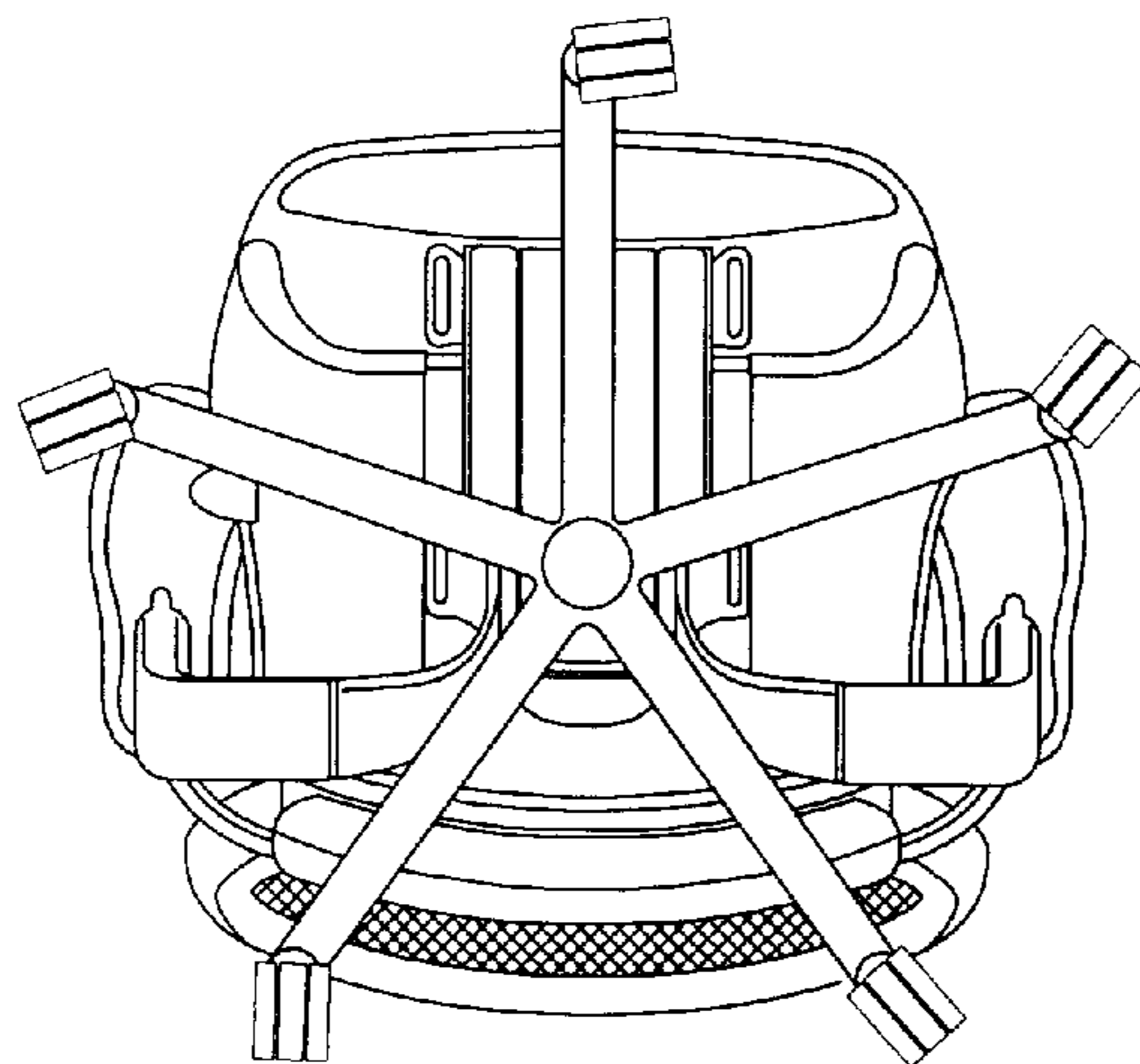


FIG. 7