

US00D493624S1

(12) **United States Design Patent**
Chen

(10) **Patent No.:** **US D493,624 S**

(45) **Date of Patent:** **** Aug. 3, 2004**

(54) **HIGH CHAIR**

(75) **Inventor:** **Shun-Min Chen, Taipei Hsien (TW)**

(73) **Assignee:** **Kenny Cheng, Taipei (TW)**

(**) **Term:** **14 Years**

(21) **Appl. No.:** **29/169,262**

(22) **Filed:** **Oct. 15, 2002**

(51) **LOC (7) Cl. 06-01**

(52) **U.S. Cl. D6/339**

(58) **Field of Search** D6/333-336, 338,
D6/339, 344, 347, 348, 390, 391, 491,
498, 500-502; D12/128, 129; 297/148,
149, 153, 174 R, 250.1, 467; 248/188,
188.1, 188.7-188.9

(56) **References Cited**

U.S. PATENT DOCUMENTS

- D291,156 S * 8/1987 Nakao et al. D6/338
- D297,684 S * 9/1988 Taylor, Sr. D6/335
- D328,196 S * 7/1992 Takahashi et al. D6/339
- D350,506 S * 9/1994 Kaneko et al. D12/129
- D361,213 S * 8/1995 Tokutake et al. D6/339

- 5,597,145 A * 1/1997 Meyers et al. 248/188
- D381,823 S * 8/1997 Ellsworth et al. D6/365
- 6,068,224 A * 5/2000 Horiuchi 248/188
- 6,092,770 A * 7/2000 Battocchio 248/188.7
- D447,651 S * 9/2001 Ooyama et al. D6/498
- 6,322,027 B1 * 11/2001 Hsu 248/188.7

* cited by examiner

Primary Examiner—Doris V. Coles

Assistant Examiner—Mimosa De

(74) *Attorney, Agent, or Firm*—Dorsey & Whitney LLP

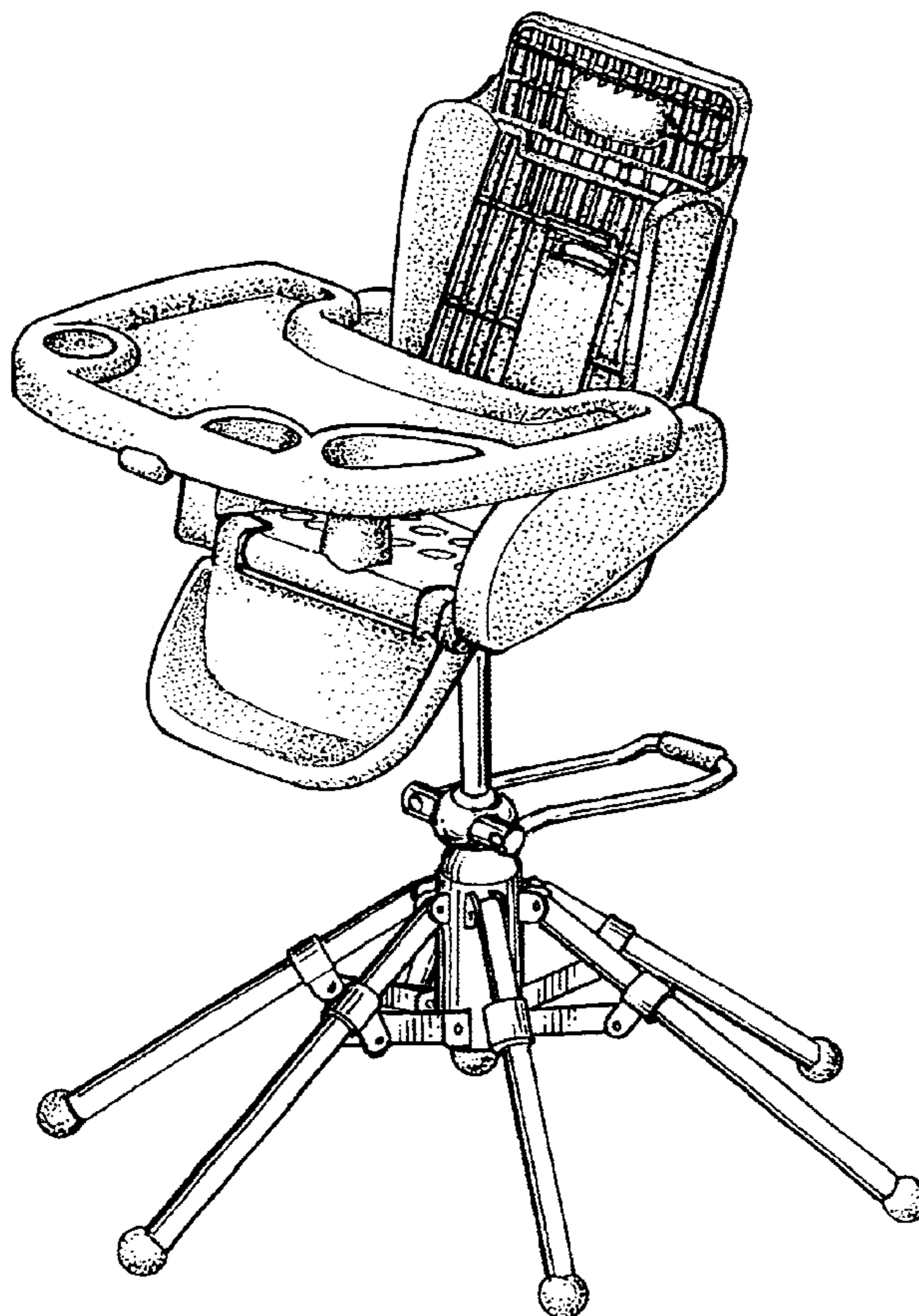
(57) **CLAIM**

The ornamental design for a high chair, as shown and described.

DESCRIPTION

FIG. 1 is a perspective view of the present application.
 FIG. 2 is a front view of the present application.
 FIG. 3 is a rear view of the present application.
 FIG. 4 is a top view of the present application.
 FIG. 5 is a bottom view of the present application; and,
 FIG. 6 is a right view of the present application. (left side is a mirrored image thereof).

1 Claim, 6 Drawing Sheets



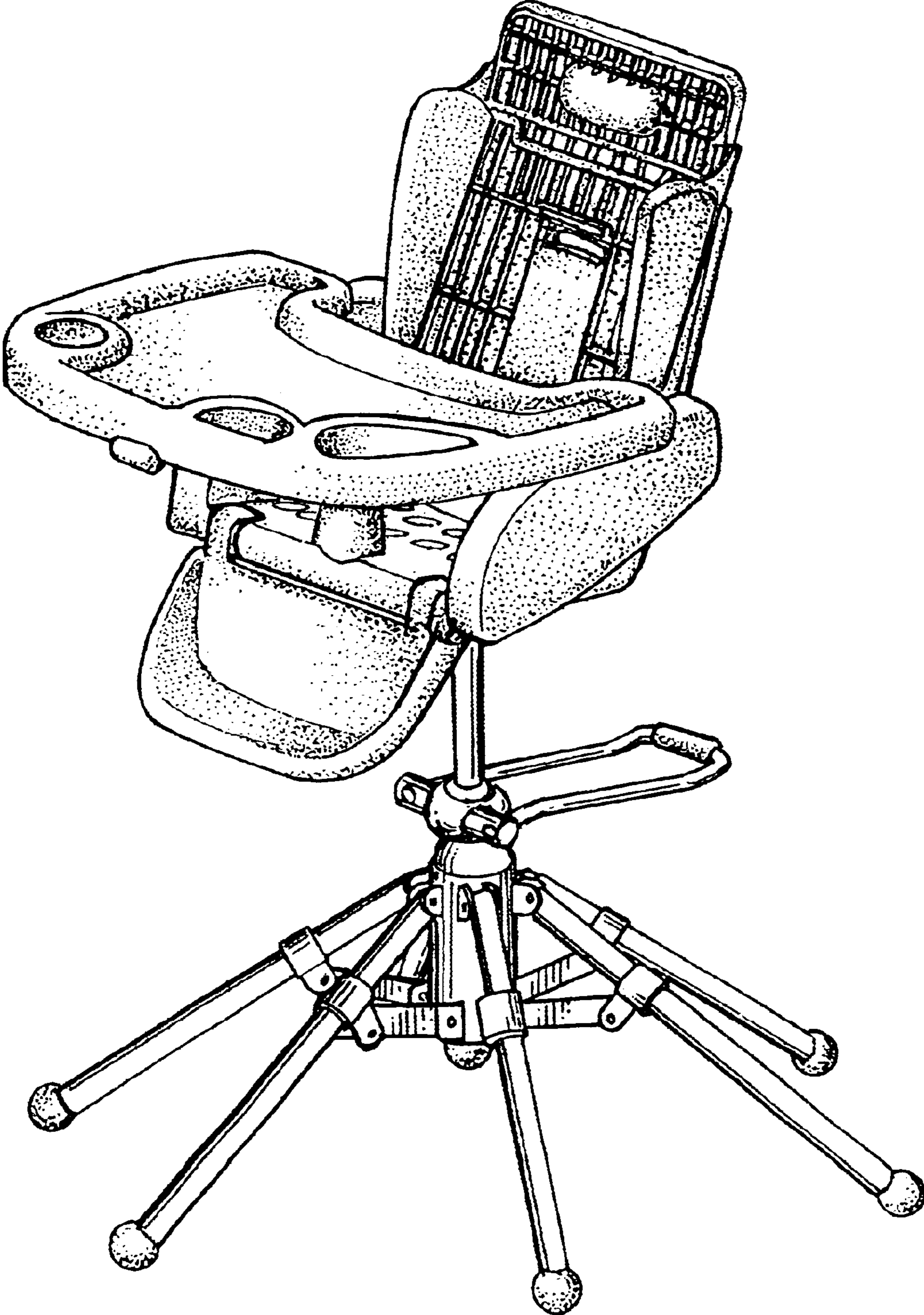


FIG.1

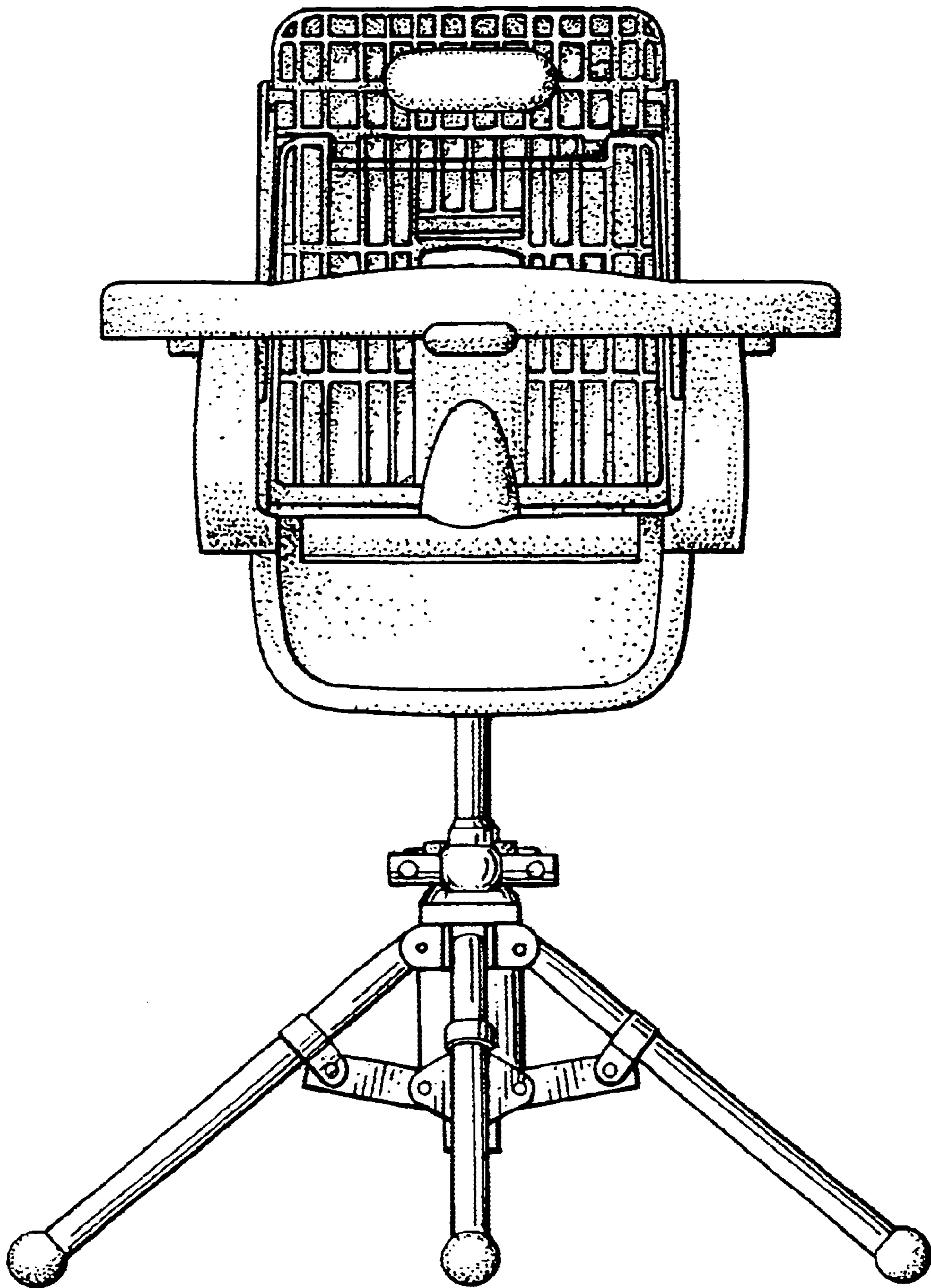


FIG. 2

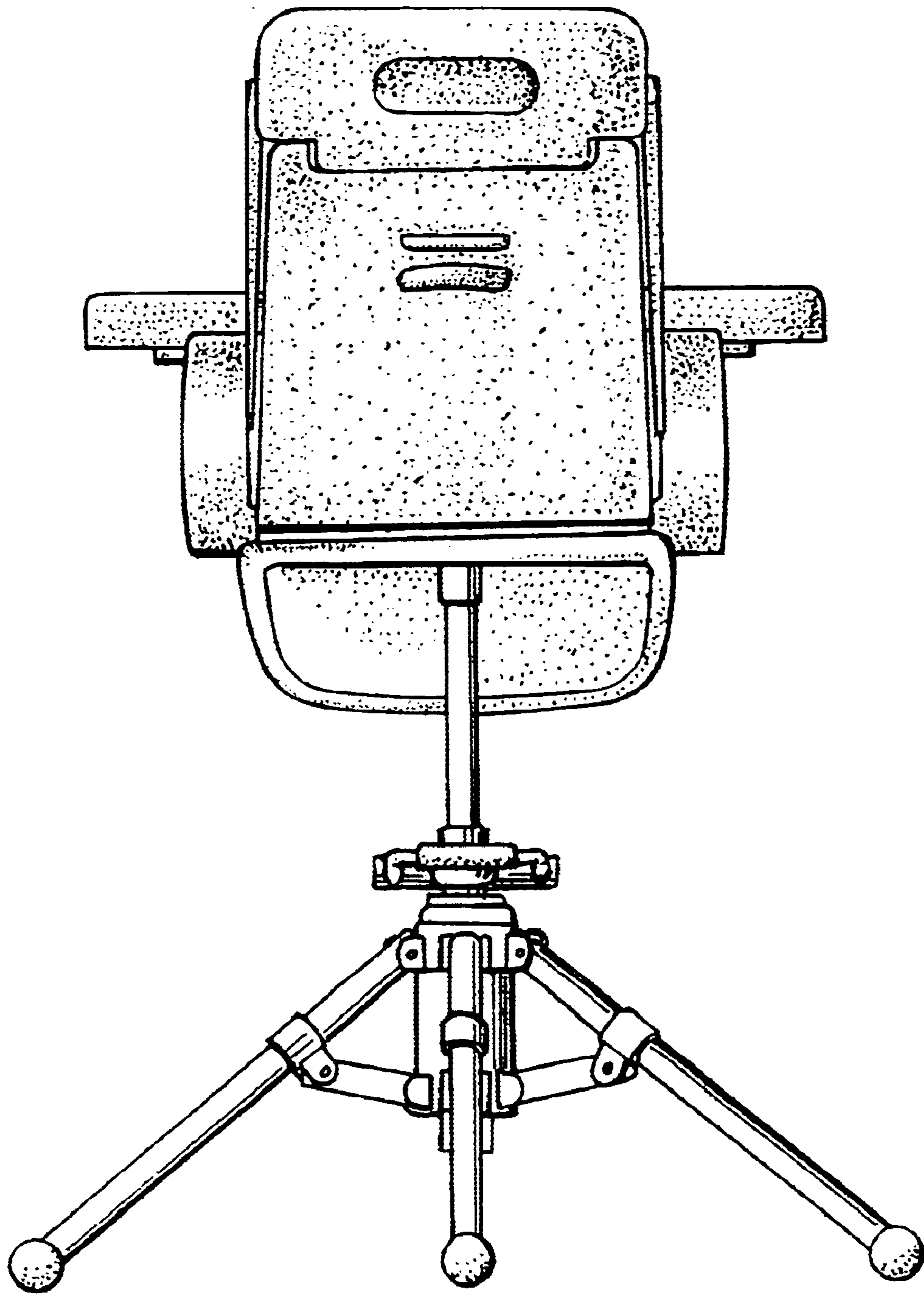


FIG. 3

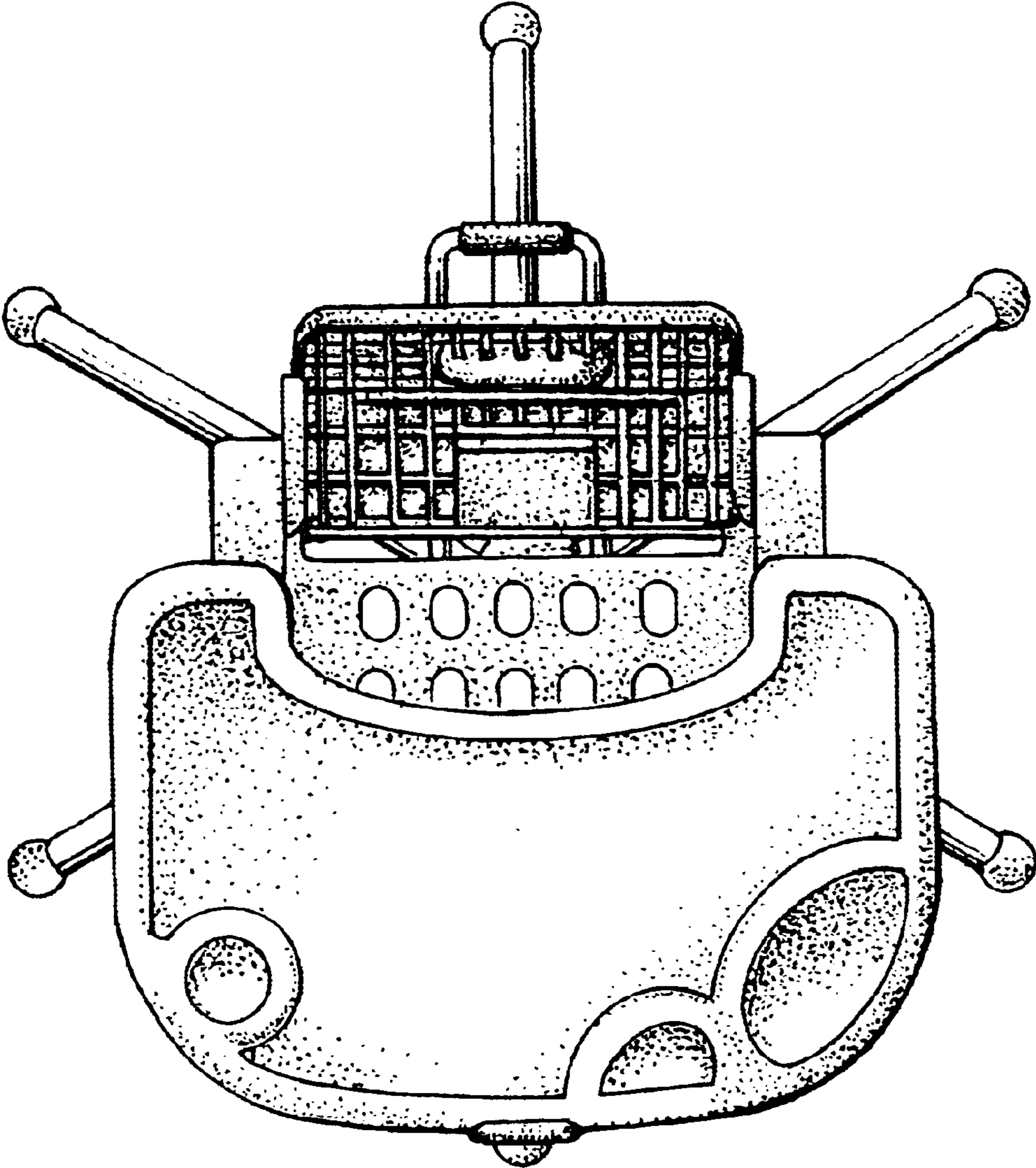


FIG.4

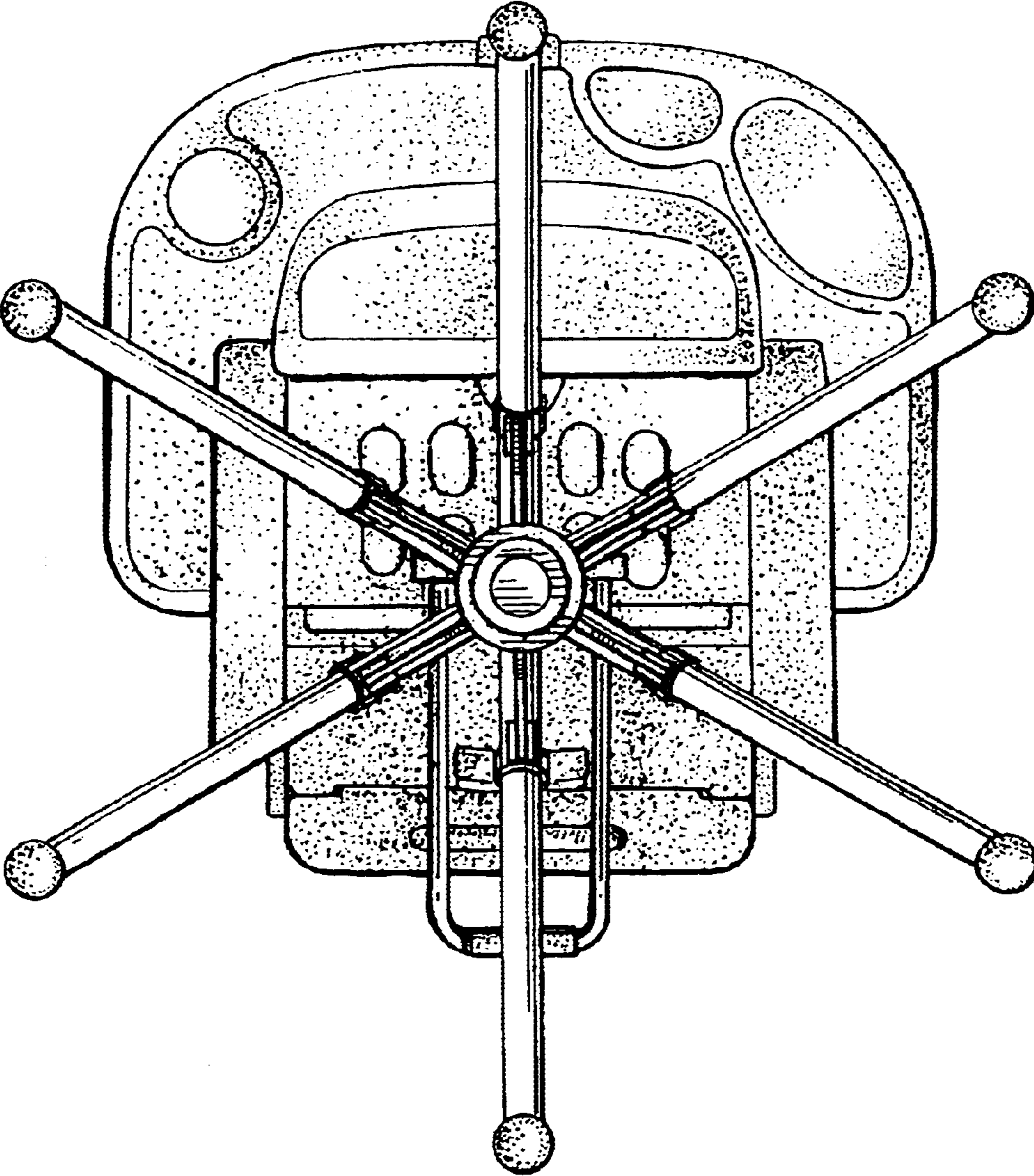


FIG.5

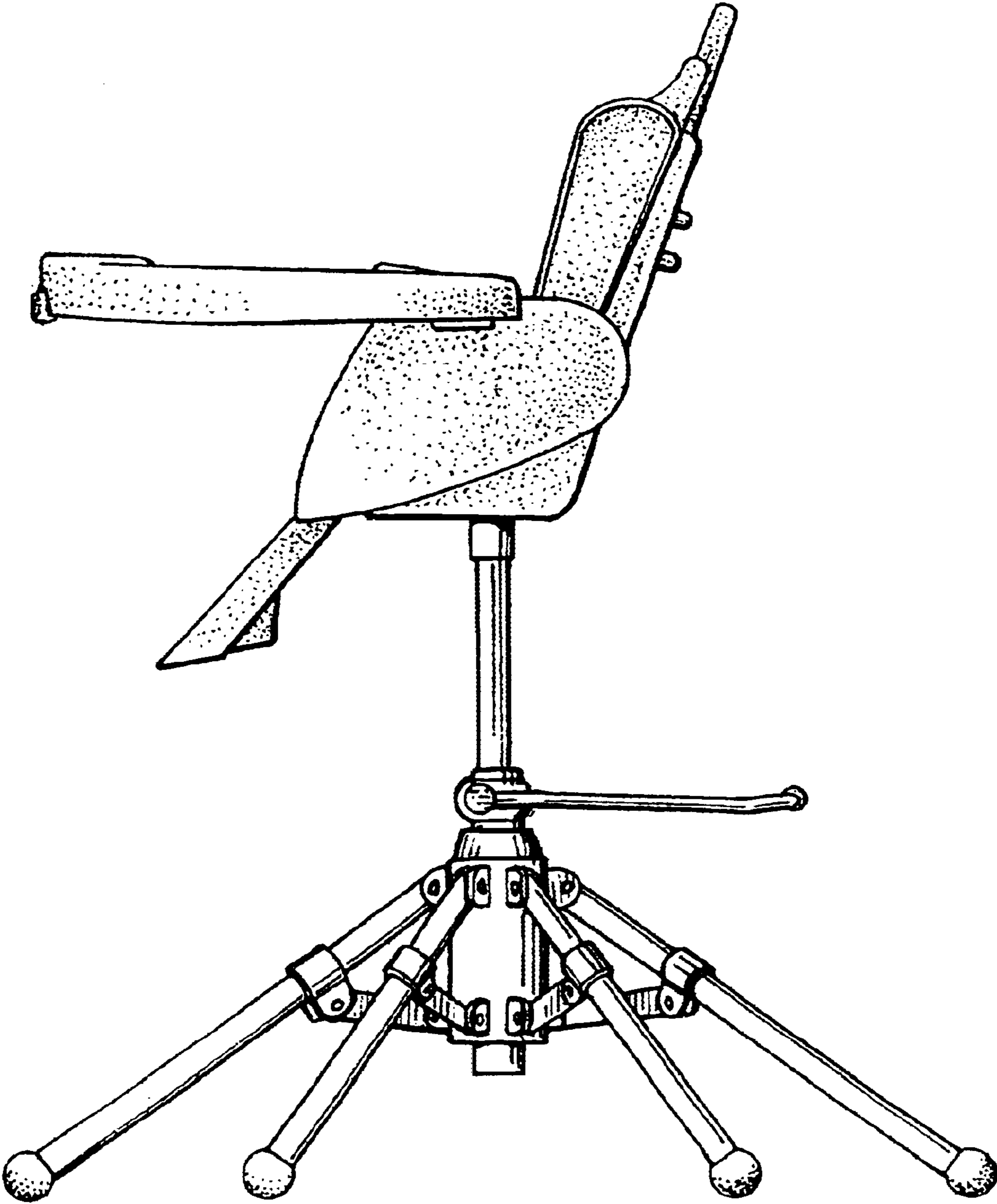


FIG. 6