

US00D493619S1

(12) **United States Design Patent** (10) **Patent No.:** **US D493,619 S**  
**Nykoluk** (45) **Date of Patent:** **\*\* \*Aug. 3, 2004**

- (54) **CURVED TOWING MEMBER FOR A BAGGAGE BAGGAGE**
- (75) Inventor: **Cory O. Nykoluk, St. Louis, MO (US)**
- (73) Assignee: **TRG Accessories, LLC, St. Louis, MO (US)**
- (\*) Notice: This patent is subject to a terminal disclaimer.
- (\*\*) Term: **14 Years**
- (21) Appl. No.: **29/143,813**
- (22) Filed: **Jun. 20, 2001**

**Related U.S. Application Data**

- (62) Division of application No. 09/604,995, filed on Jun. 28, 2000, and a division of application No. 09/705,171, filed on Nov. 2, 2000, now Pat. No. 6,651,791, and a division of application No. 09/692,650, filed on Oct. 19, 2000, now abandoned.
- (51) **LOC (7) Cl.** ..... **03-99**
- (52) **U.S. Cl.** ..... **D3/318**
- (58) **Field of Search** ..... D3/318, 323, 276, D3/279, 282; 190/115, 118, 119, 18 A, 18 R, 39; 16/113.1, 421, 422, 429, 430, DIG. 38, DIG. 41; 224/153, 578

**References Cited**

**U.S. PATENT DOCUMENTS**

2,722,137 A	*	11/1955	Russell	16/430
3,606,372 A		9/1971	Browning	
3,712,659 A	*	1/1973	Kneissi	16/421
4,368,835 A		1/1983	Murphy	
4,538,709 A		9/1985	Williams et al.	
4,890,355 A	*	1/1990	Schulten	16/421
D357,354 S	*	4/1995	Marchwiak et al.	D3/276
5,464,080 A	*	11/1995	Liang	190/18 A
5,564,538 A	*	10/1996	Sadow	190/18 A

D387,198 S		12/1997	Lehmann et al.	
5,749,503 A		5/1998	Wulf et al.	
5,769,194 A		6/1998	Chang	
5,890,570 A	*	4/1999	Sadow	190/115
5,901,822 A		5/1999	Tu	
5,908,093 A	*	6/1999	Miyoshi	190/115
5,943,936 A		8/1999	Deliman et al.	
5,984,154 A		11/1999	Scicluna	
6,122,800 A	*	9/2000	Cheng	16/429
6,179,176 B1		1/2001	Saggese et al.	
6,193,033 B1		2/2001	Sadow et al.	
6,279,706 B1		8/2001	Mao	
6,298,964 B1		10/2001	Sadow	
D451,779 S	*	12/2001	Du Sartel	D3/318
6,434,790 B1		8/2002	Chen	

\* cited by examiner

*Primary Examiner*—Prabhakar Deshmukh  
(74) *Attorney, Agent, or Firm*—Lewis, Rice & Fingersh, LC

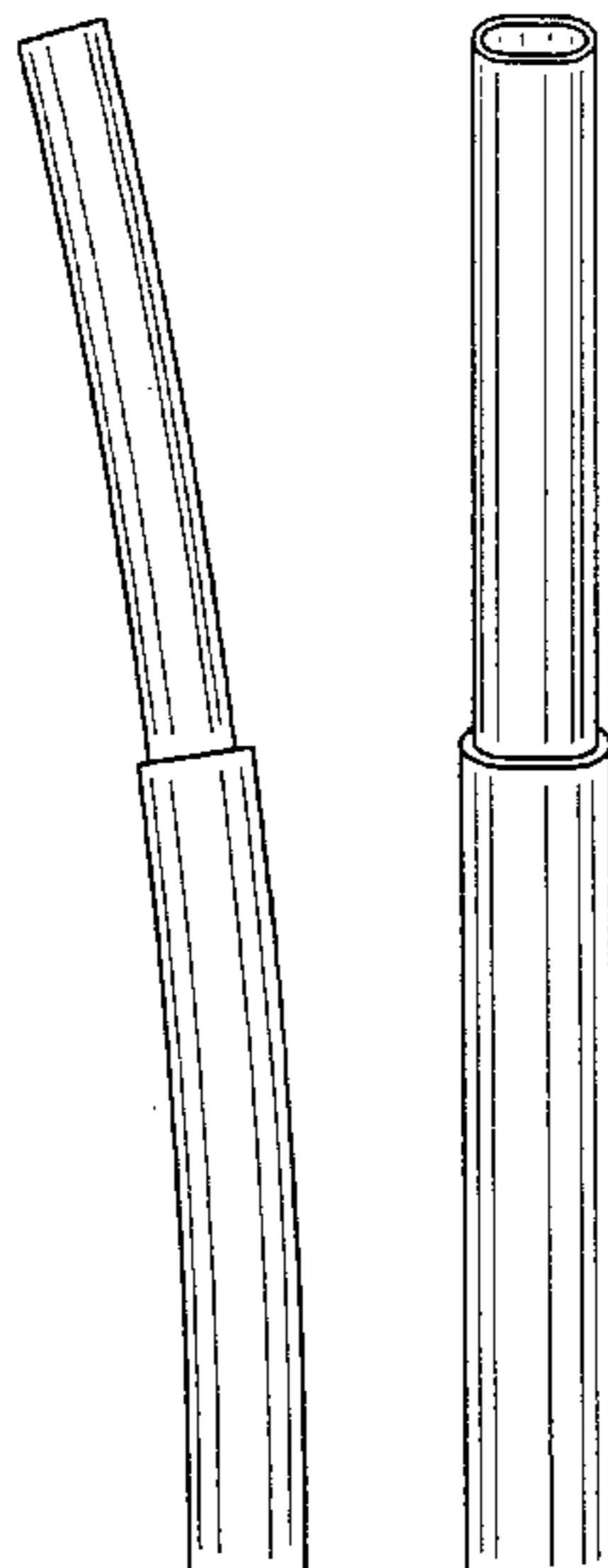
(57) **CLAIM**

The ornamental design for a curved towing member for a baggage baggage, as shown and described.

**DESCRIPTION**

FIG. 1 is a perspective view of the curved towing member of the invention;  
 FIG. 2 is a reverse perspective view of FIG. 1;  
 FIG. 3 is a front view of the towing member of FIG. 1;  
 FIG. 4 is a rear view of the towing member of FIG. 1;  
 FIG. 5 is a right side view of the towing member of FIG. 1, the left side view being a mirror image thereof;  
 FIG. 6 is a top view of the towing member of FIG. 1; and,  
 FIG. 7 is a bottom view of the towing member of FIG. 1.  
 The broken line showing of a baggage in FIG. 1 is for illustrative purposes only and forms no part of the claimed design.  
 FIGS. 2–7 are drawn in an enlarged scale for clarity.

**1 Claim, 2 Drawing Sheets**



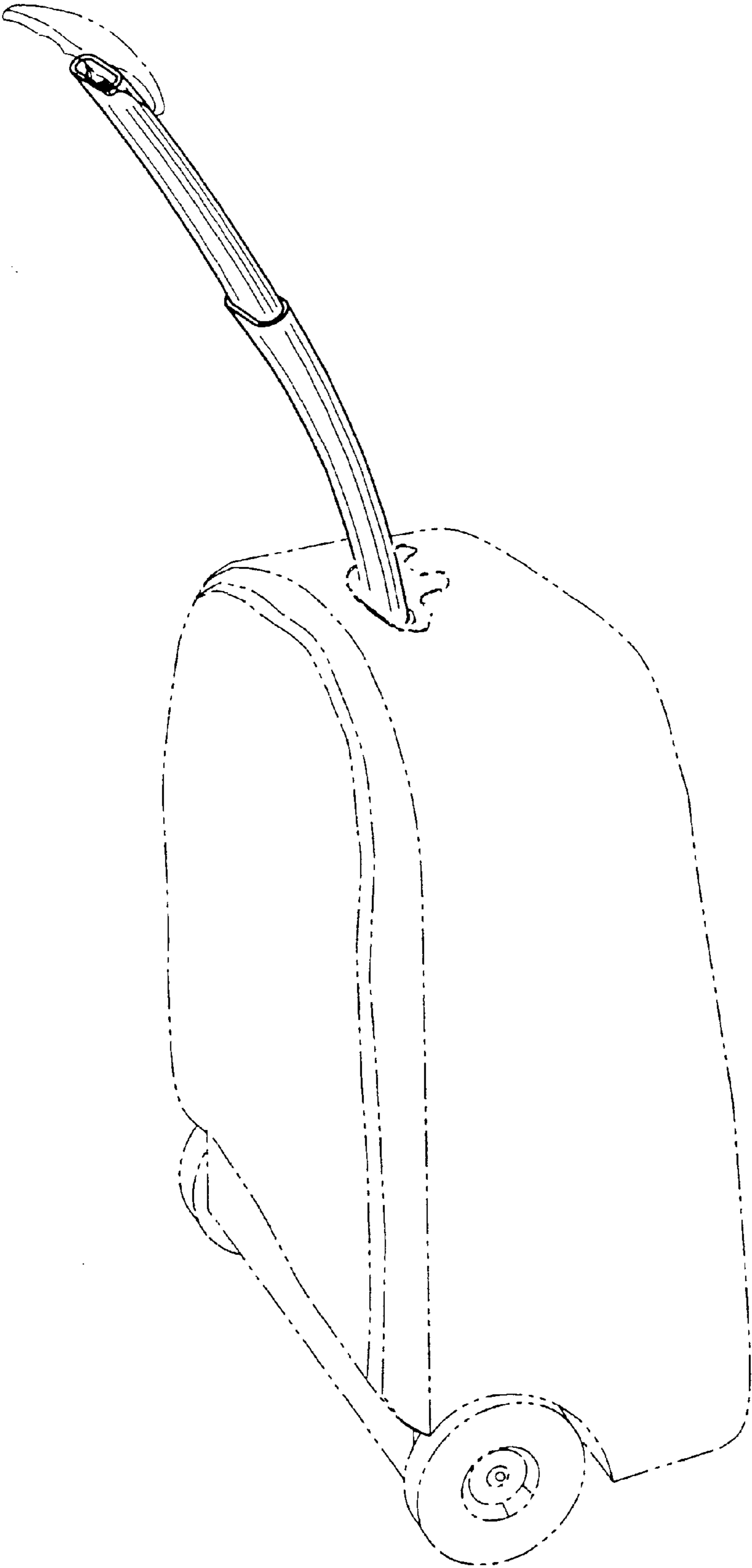


FIG. 1

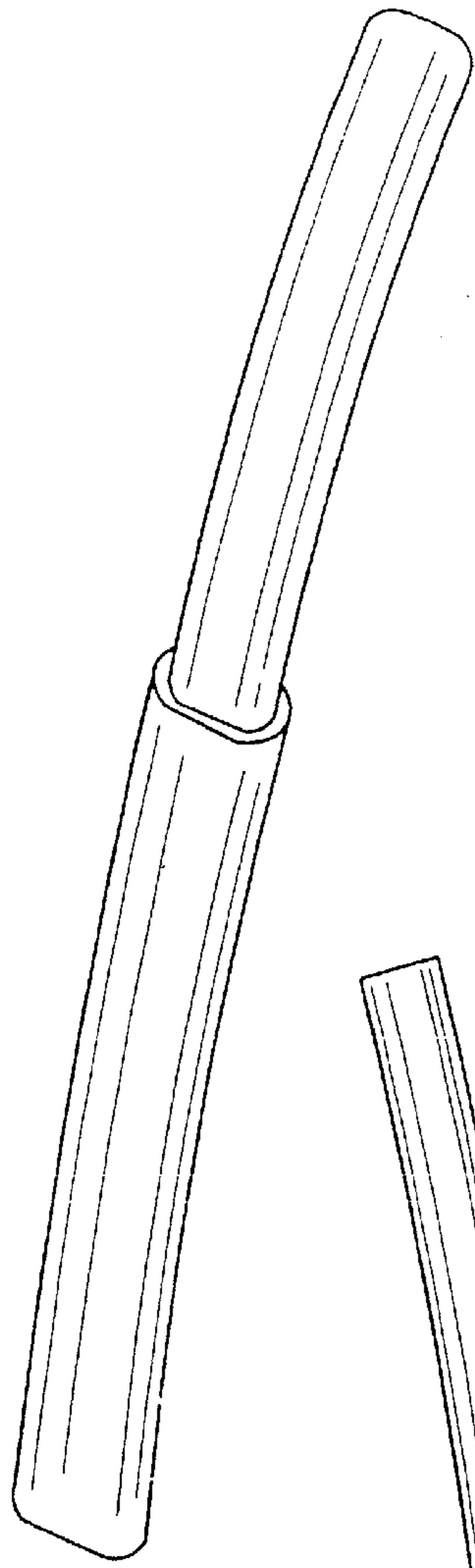


FIG. 2

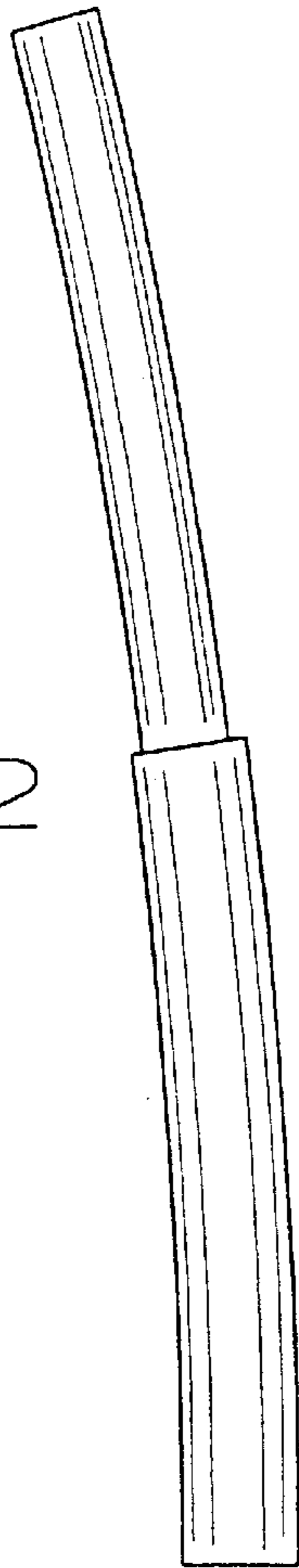


FIG. 5

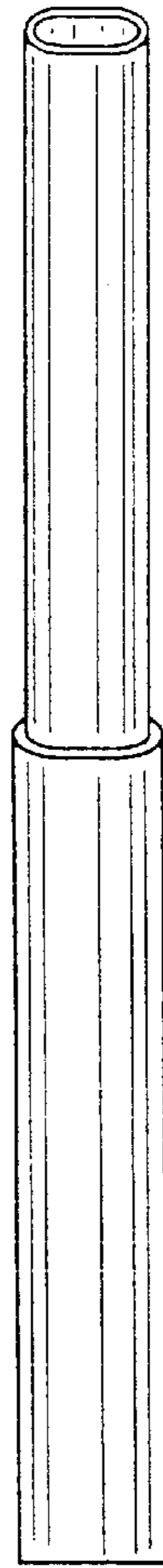


FIG. 3

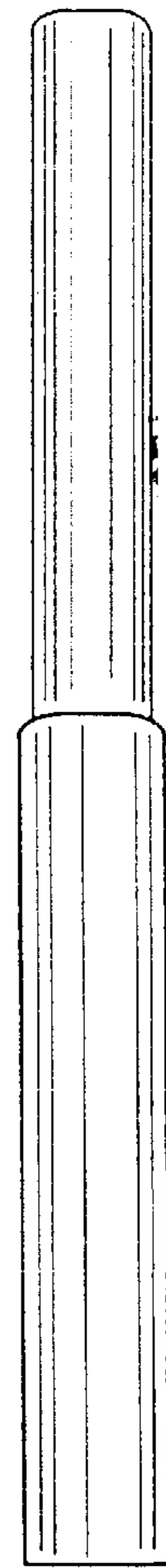


FIG. 4

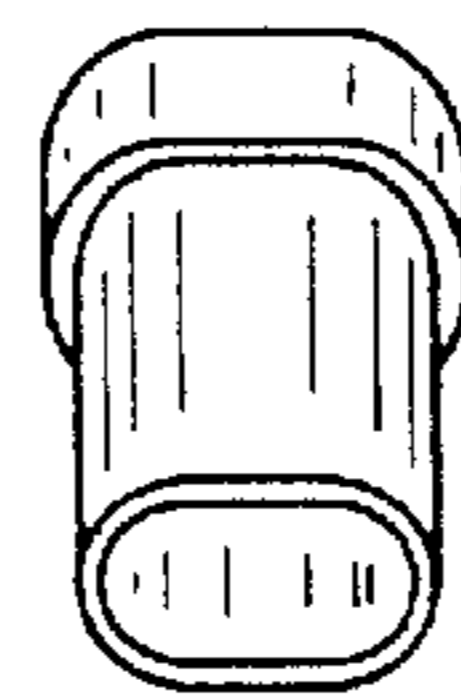


FIG. 6

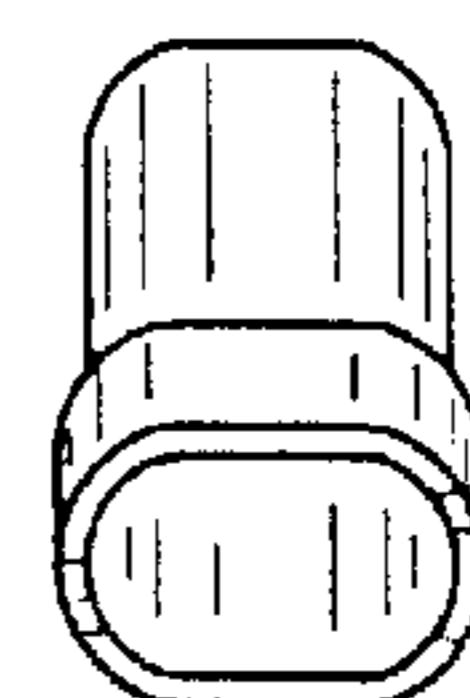


FIG. 7

UNITED STATES PATENT AND TRADEMARK OFFICE  
**CERTIFICATE OF CORRECTION**

PATENT NO. : Des. 493,619 S  
DATED : August 3, 2004  
INVENTOR(S) : Cory O. Nykoluk

Page 1 of 1

It is certified that error appears in the above-identified patent and that said Letters Patent is hereby corrected as shown below:

Title page.

Item [54], Title, should read as follows:

-- **CURVED TOWING MEMBER FOR A PIECE OF BAGGAGE** --

Signed and Sealed this

First Day of March, 2005

A handwritten signature in black ink on a dotted background. The signature reads "Jon W. Dudas" in a cursive style.

JON W. DUDAS

*Director of the United States Patent and Trademark Office*