

US00D493610S1

(12) **United States Design Patent**
Chang

(10) **Patent No.:** **US D493,610 S**

(45) **Date of Patent:** **** Aug. 3, 2004**

(54) **SHOE SPIKE**

Primary Examiner—Dominic Simone

(74) *Attorney, Agent, or Firm*—Rosenberg, Klein & Lee

(76) **Inventor:** **Feng-Cheng Chang**, 6F, No.118,
Sec.2,Ta-An Rd., Taipei (TW)

(**) **Term:** **14 Years**

(57) **CLAIM**

The ornamental design for a “shoe spike”, as shown and described.

(21) **Appl. No.:** **29/178,149**

(22) **Filed:** **Mar. 24, 2003**

(51) **LOC (7) Cl.** **02-99**

(52) **U.S. Cl.** **D2/962**

(58) **Field of Search** D2/906, 946, 962;
36/67 A, 134

DESCRIPTION

FIG. 1 is a perspective view of a “shoe spike” showing my new design;
FIG. 2 is a front view thereof;
FIG. 3 is a rear view thereof;
FIG. 4 is a left side view thereof;
FIG. 5 is a right side view thereof;
FIG. 6 is a top view thereof;
FIG. 7 is a bottom view thereof; and,
FIG. 8 is the perspective view showing the practical usage thereof.

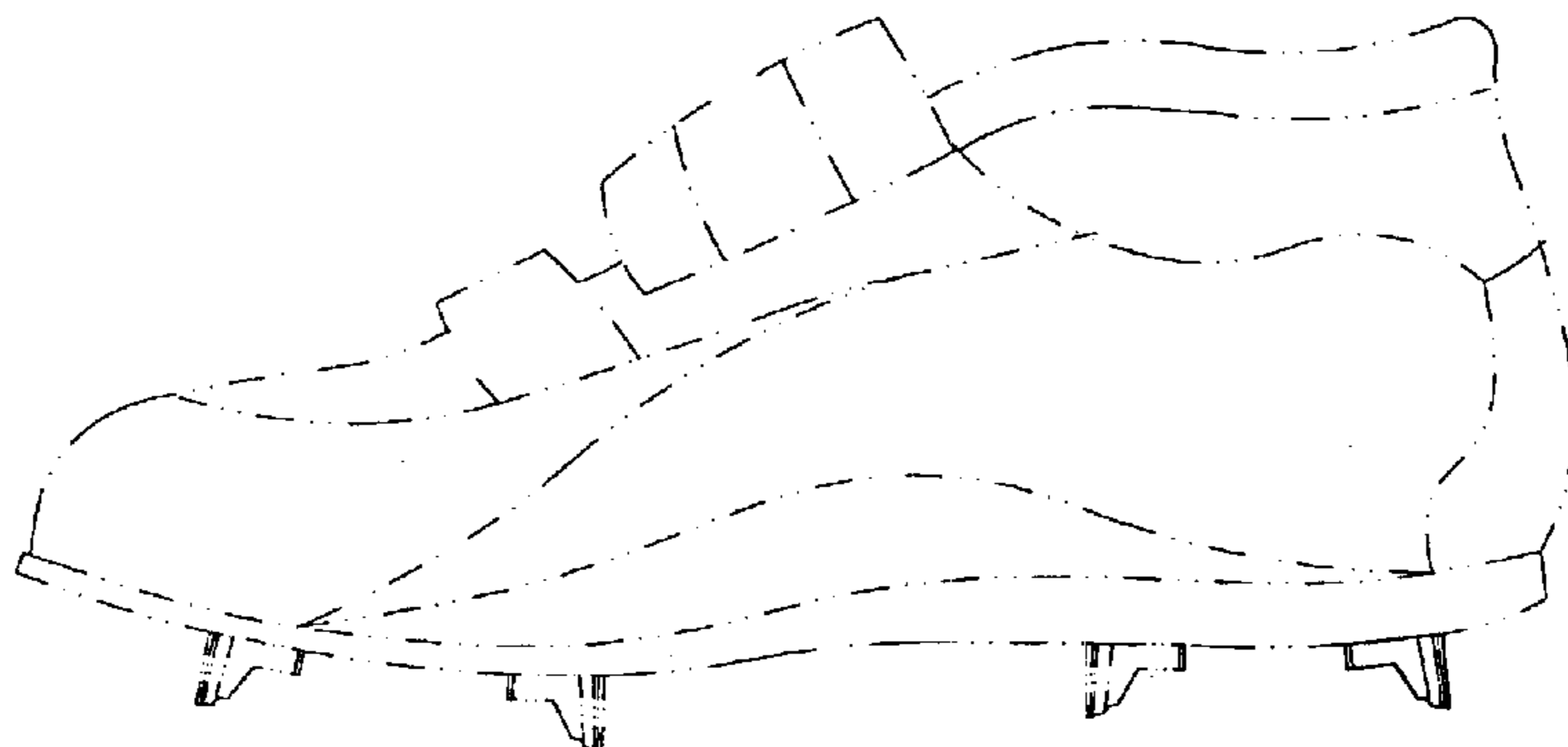
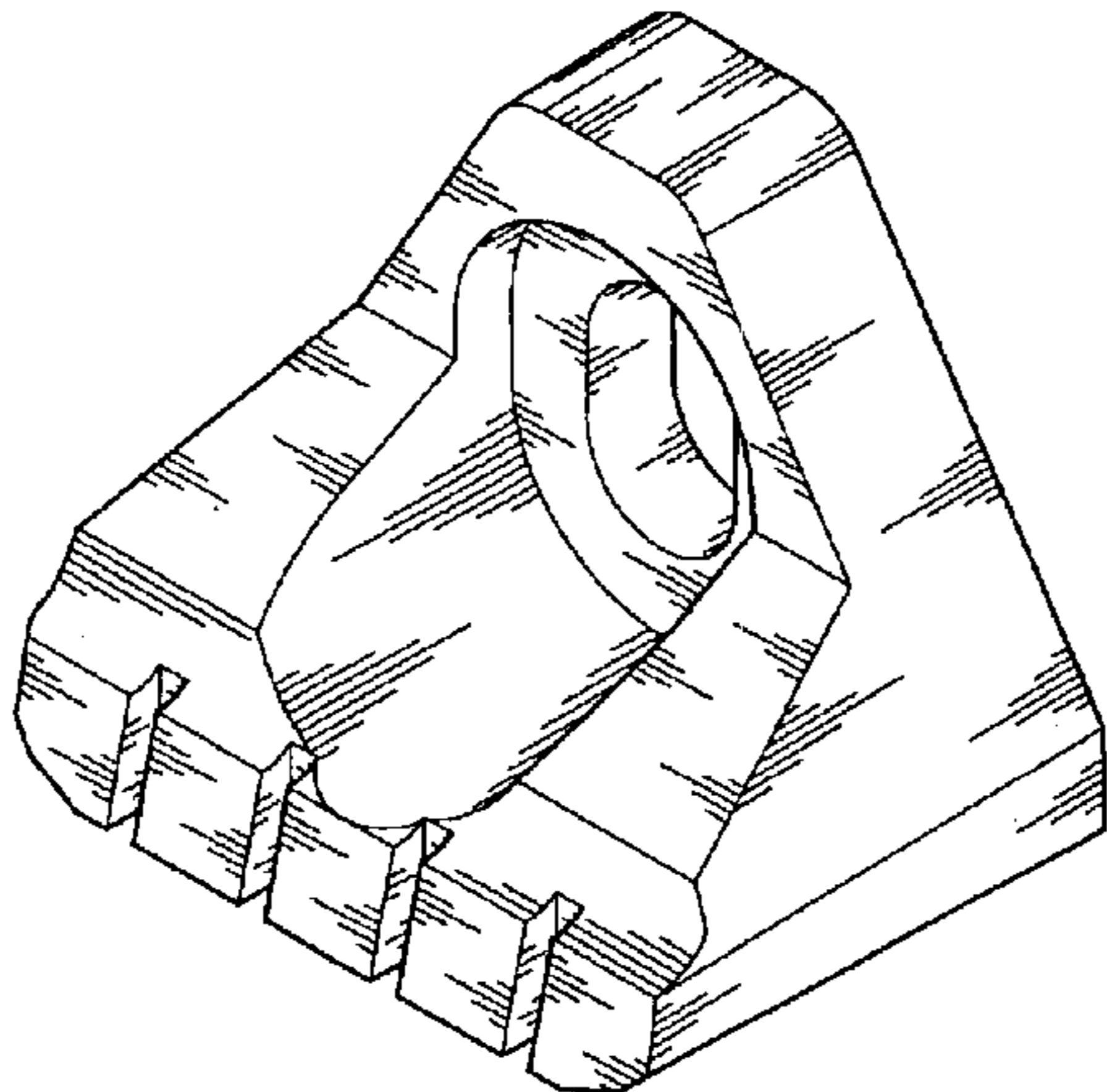
(56) **References Cited**

U.S. PATENT DOCUMENTS

2,006,637	A	*	7/1935	Goldenberg	36/134
3,466,763	A	*	9/1969	Levin	36/134
5,743,029	A	*	4/1998	Walker et al.	36/134
D422,129	S	*	4/2000	Garcia	D2/962
6,050,006	A	*	4/2000	Swindle	36/134
D476,467	S	*	7/2003	Takamoto et al.	D2/962

* cited by examiner

1 Claim, 5 Drawing Sheets



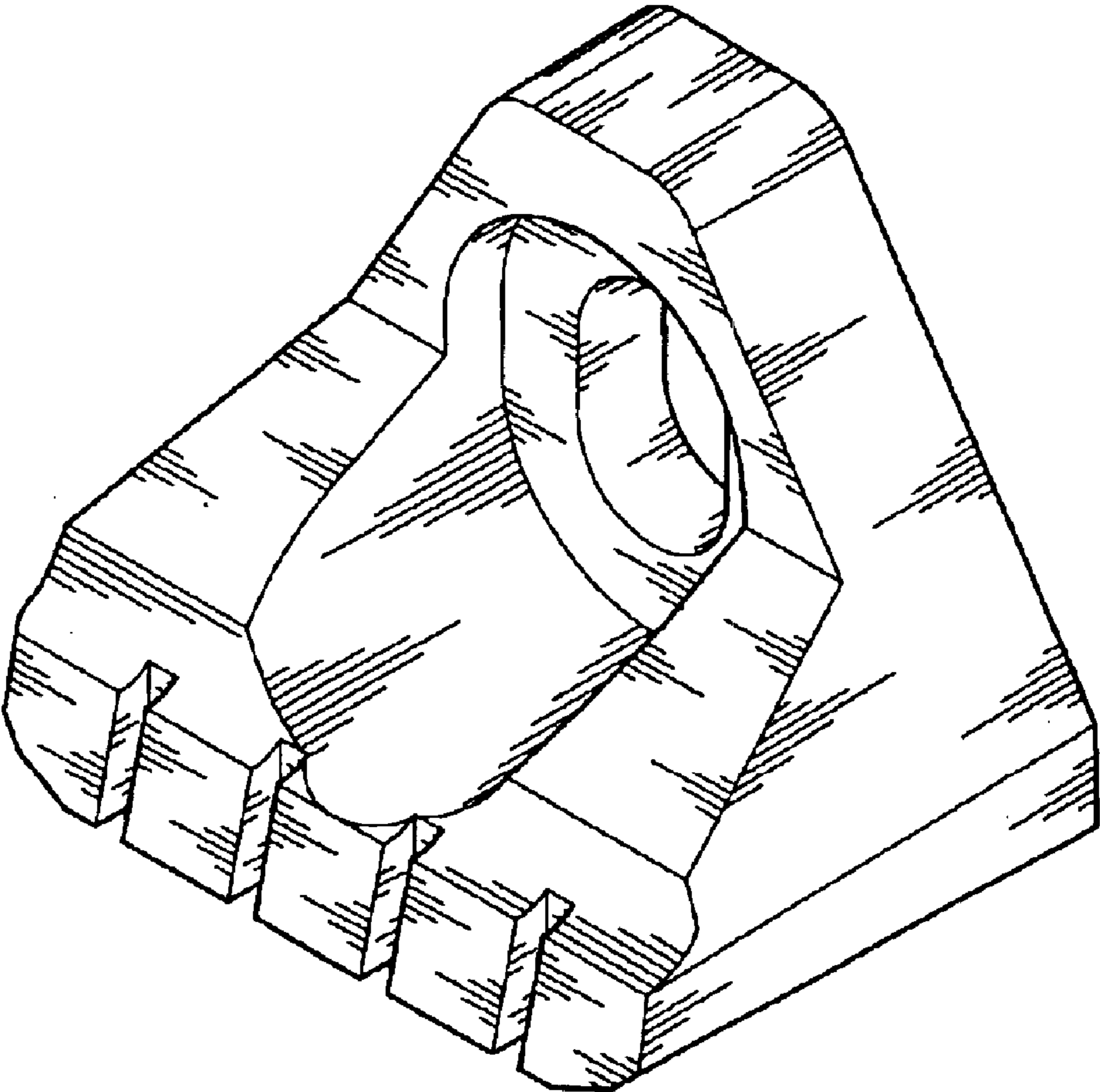


FIG. 1

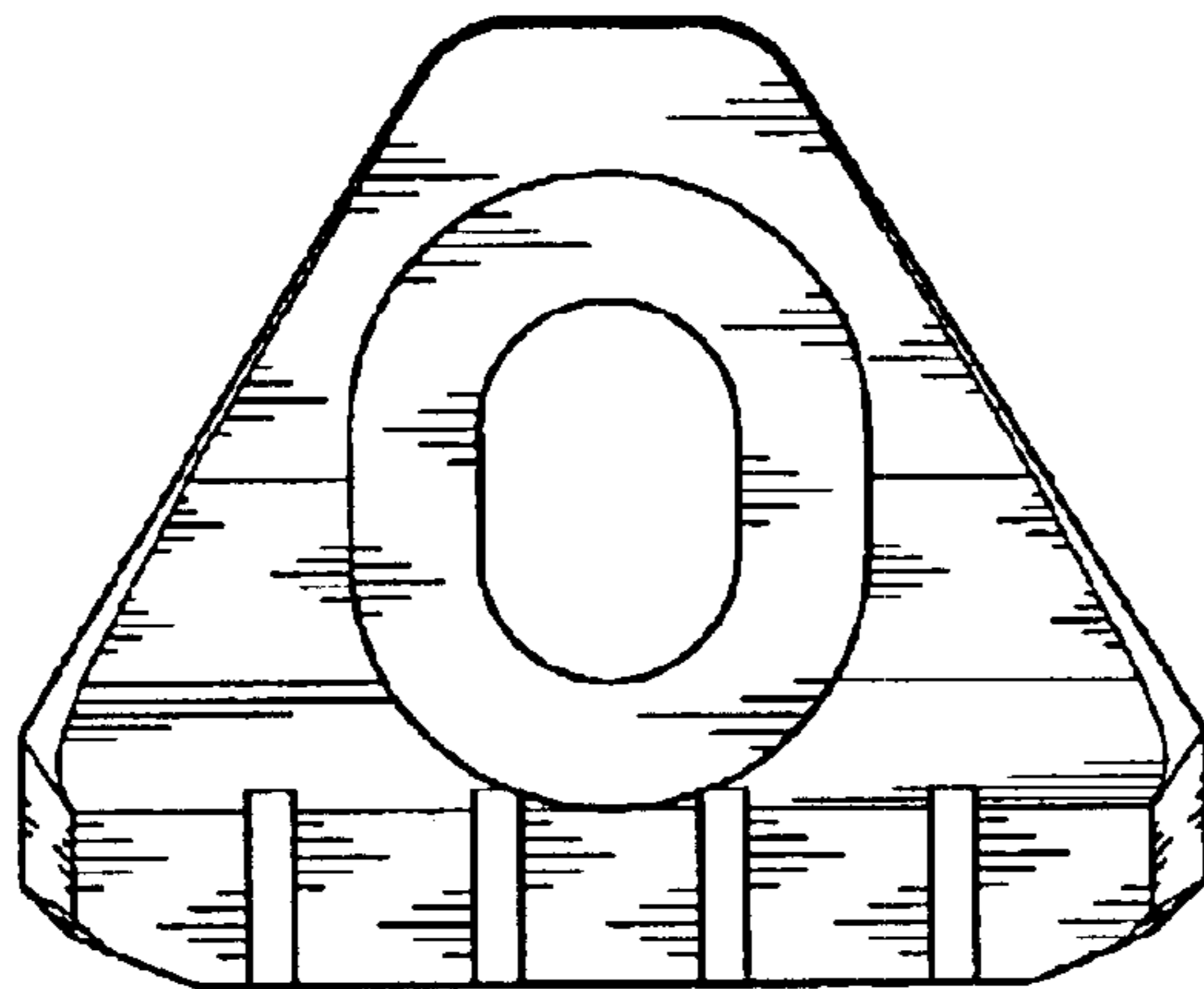


FIG. 2

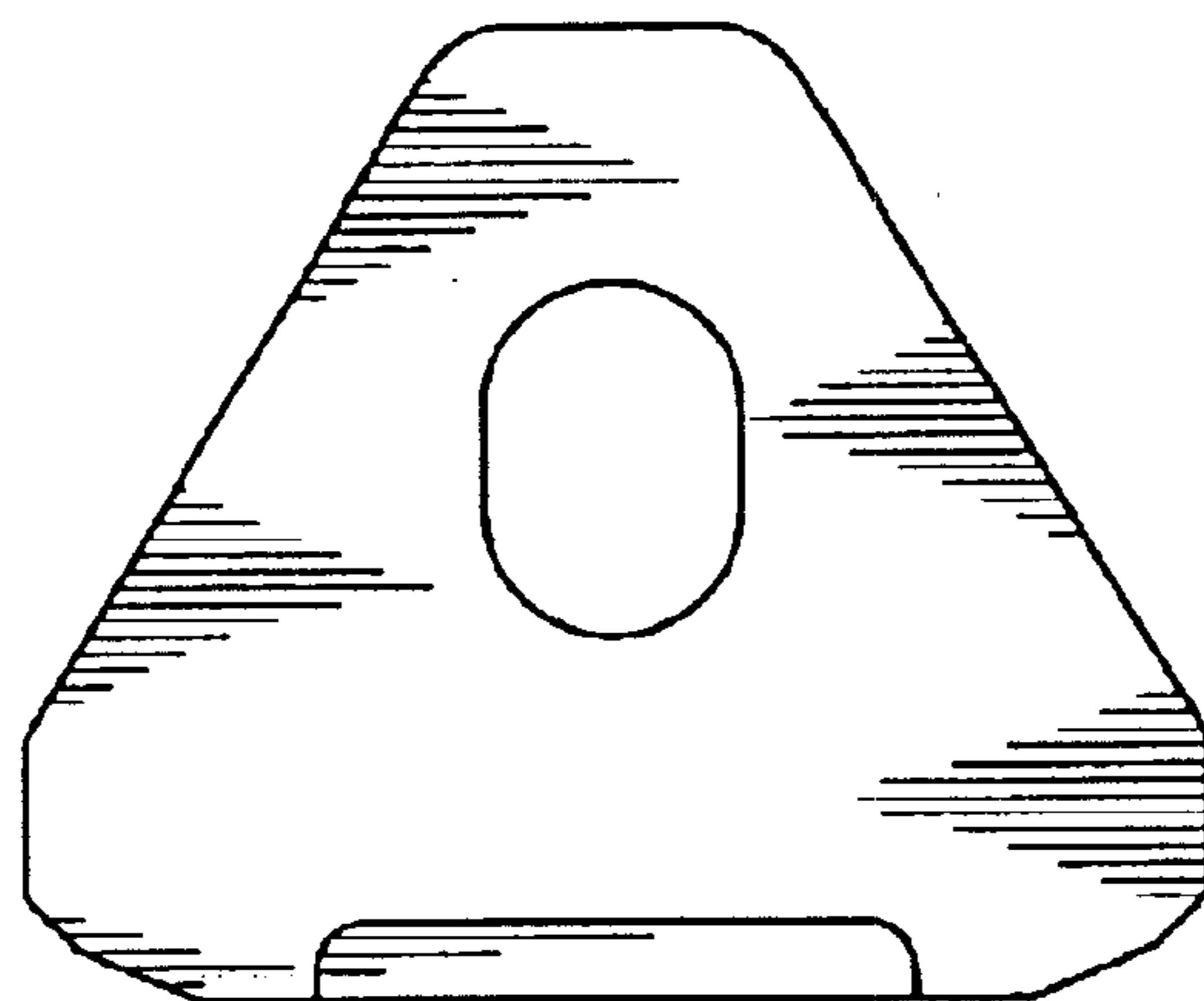


FIG. 3

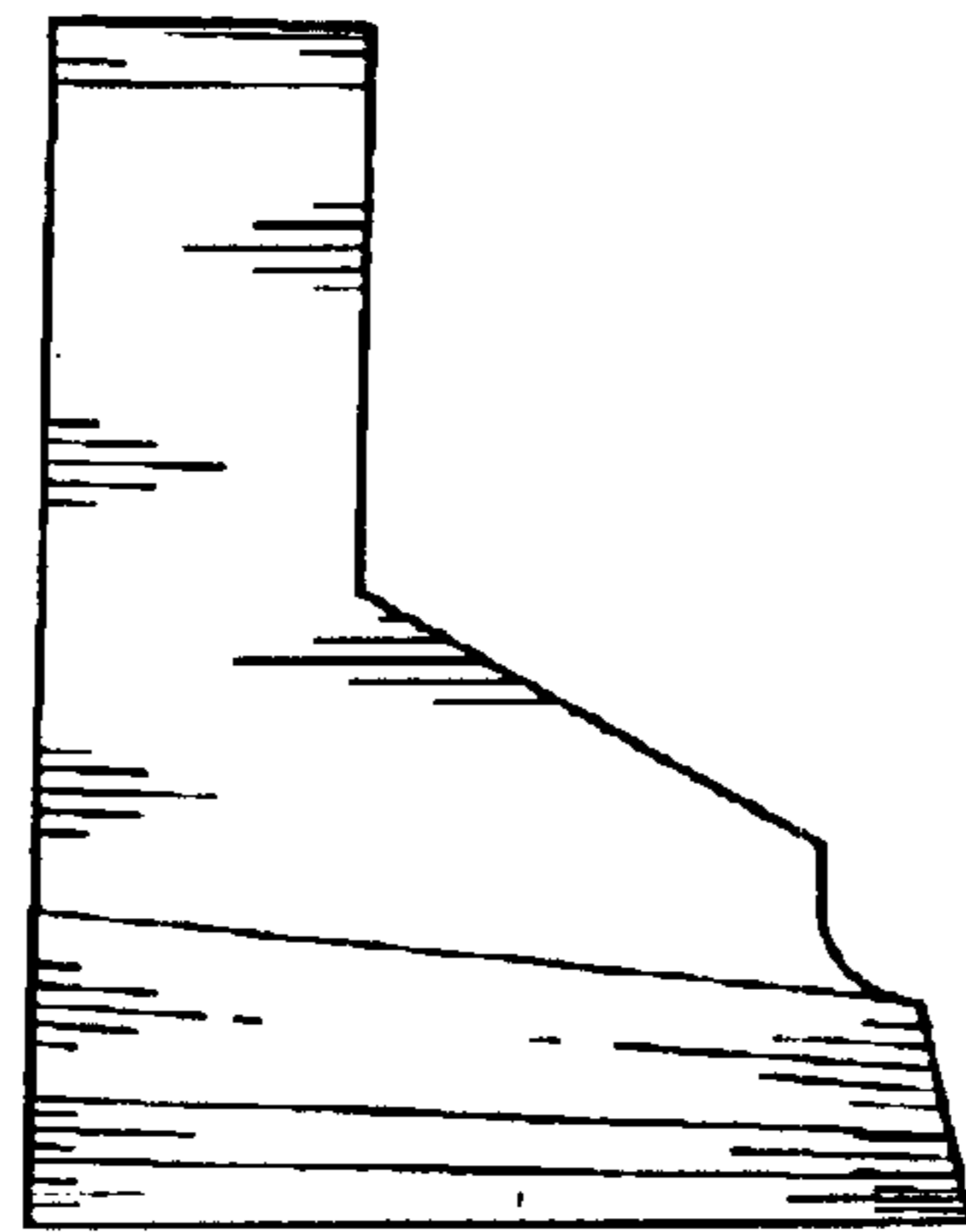


FIG. 4

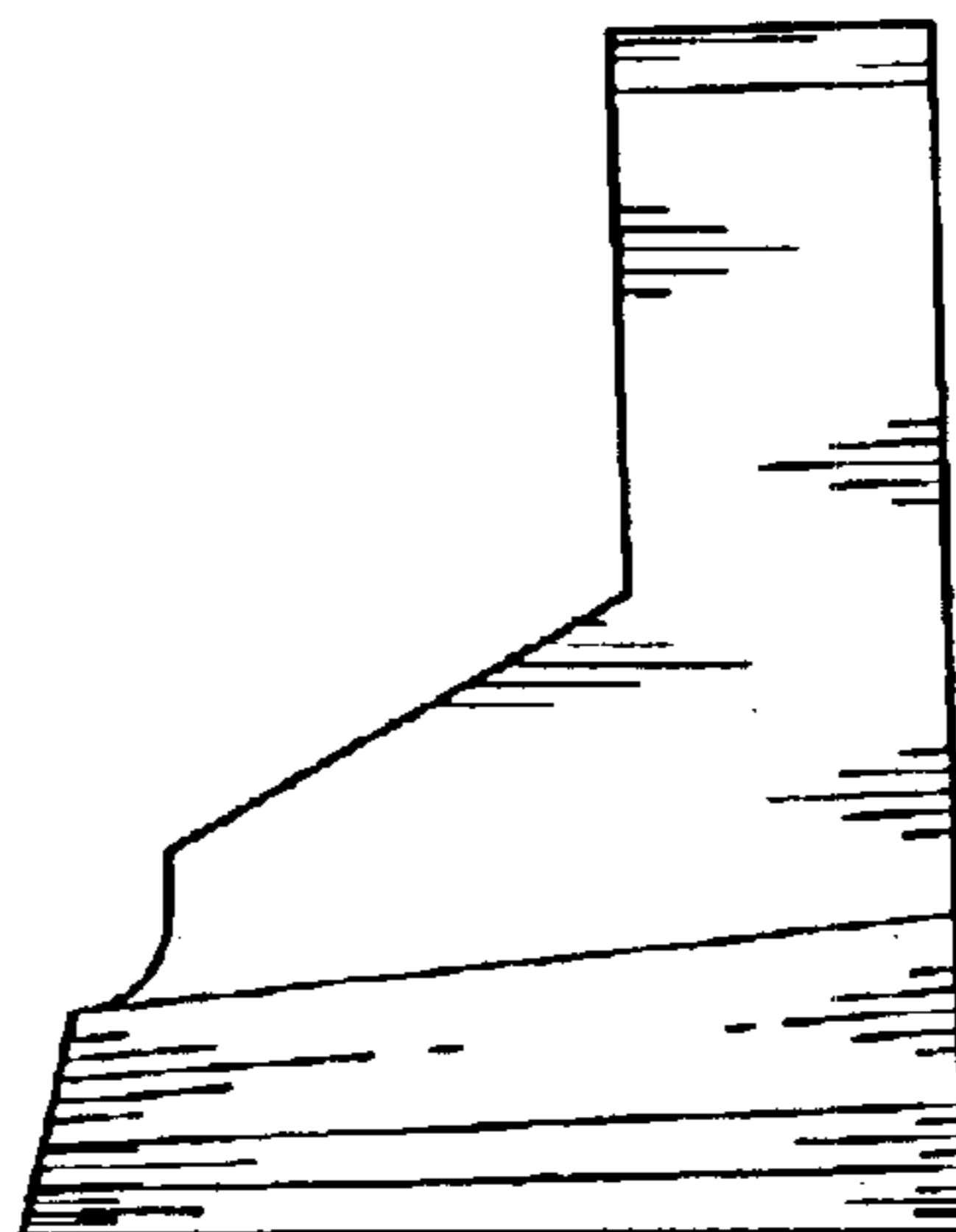


FIG. 5

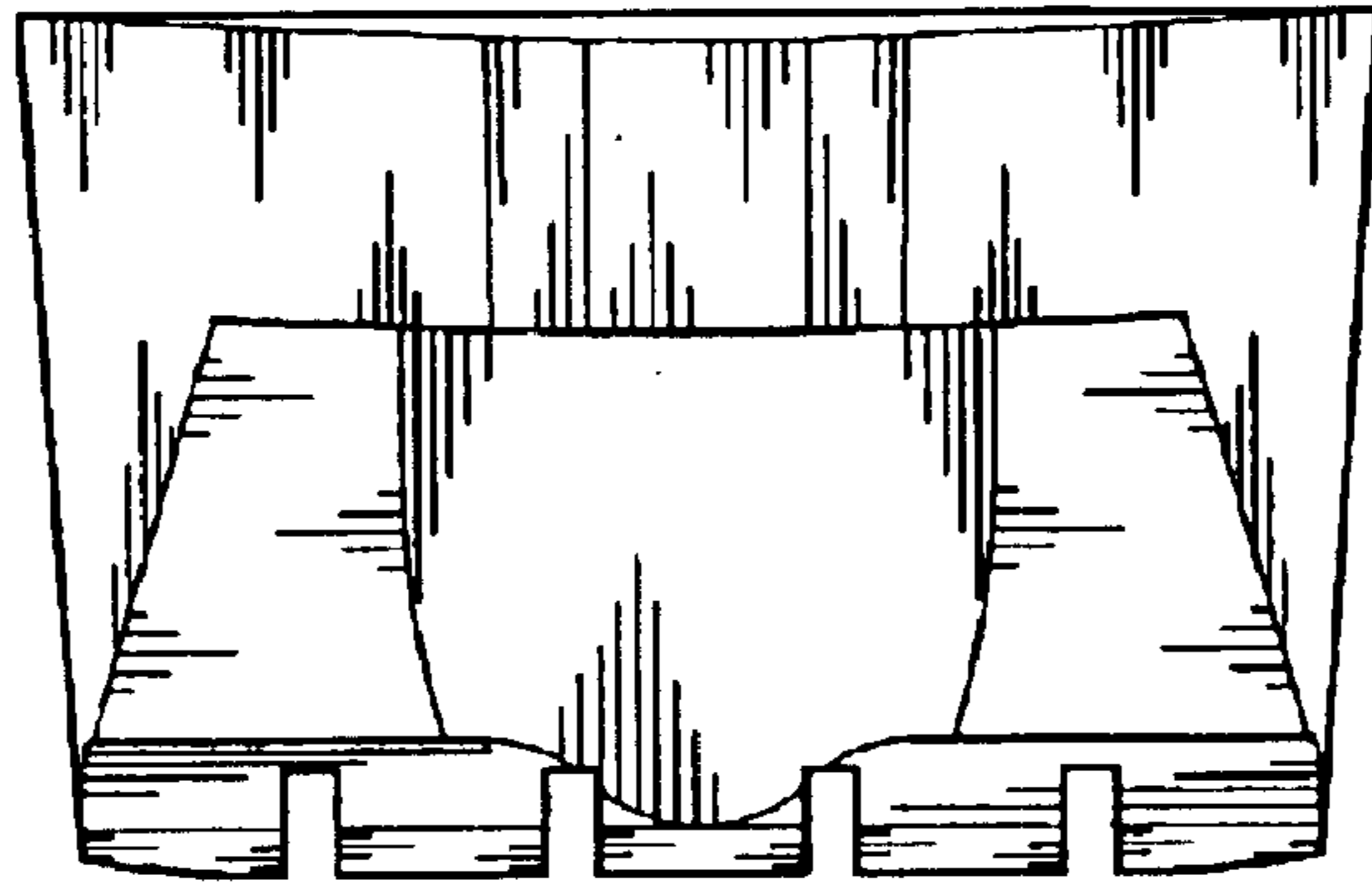


FIG. 6

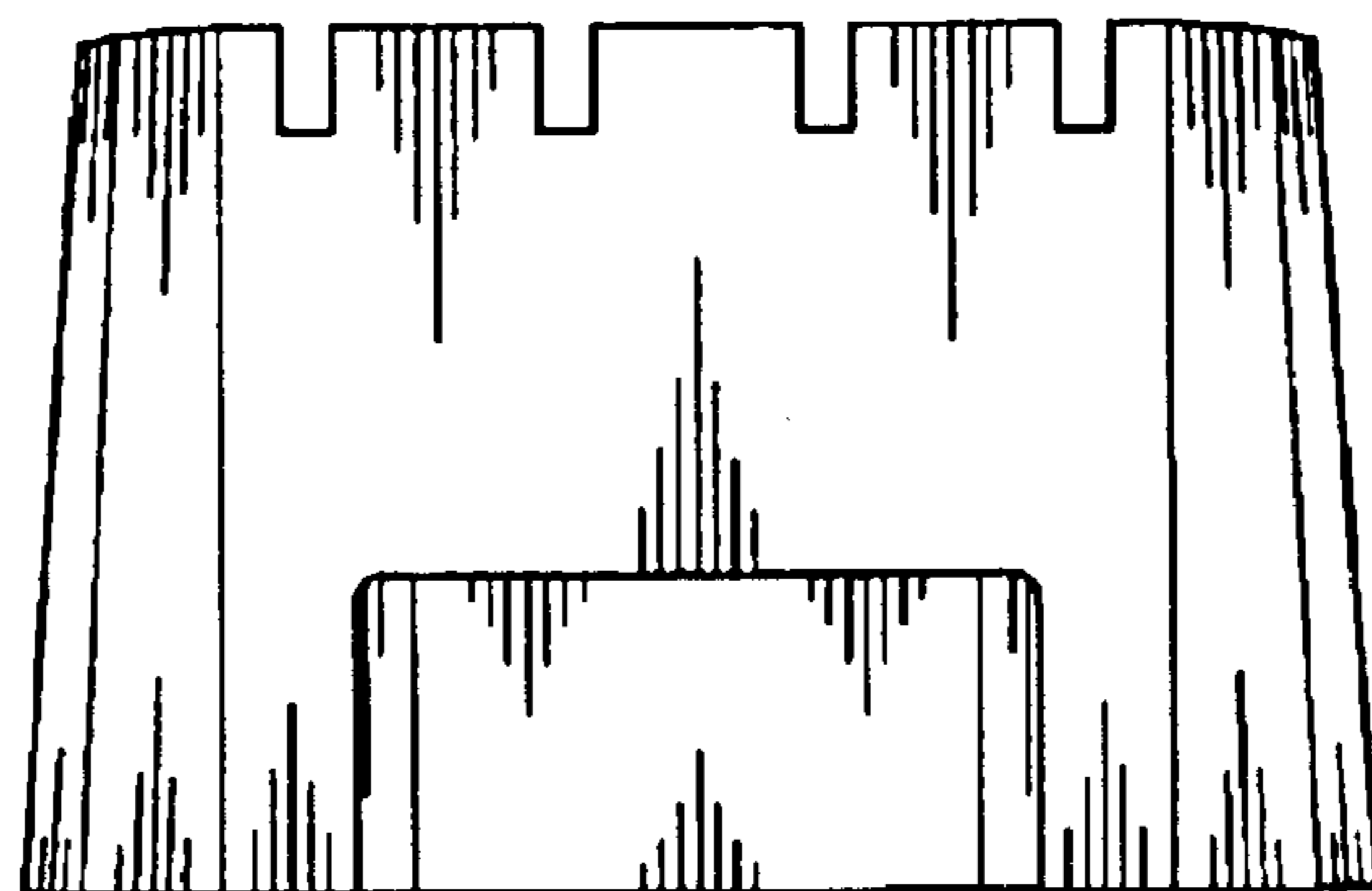


FIG. 7



FIG. 8