

US00D493605S1

(12) **United States Design Patent**
Gilmore

(10) **Patent No.:** **US D493,605 S**

(45) **Date of Patent:** **** Aug. 3, 2004**

(54) **HAT**

(76) **Inventor:** **Matthew A. Gilmore**, 108 E. 38th St.,
Apt. 402, New York, NY (US) 10016

(**) **Term:** **14 Years**

(21) **Appl. No.:** **29/177,005**

(22) **Filed:** **Mar. 4, 2003**

(51) **LOC (7) Cl.** **02-03**

(52) **U.S. Cl.** **D2/869**

(58) **Field of Search** D2/865, 866, 867,
D2/868, 869, 883, 884, 885; 2/171, 171.01,
171.03, 171.3, 174, 181, 195.7, 195.8;
1/207.11, 209.15, 202

(56) **References Cited**

U.S. PATENT DOCUMENTS

1,587,684	A	*	6/1926	Lorber	2/171.03
1,589,614	A	*	6/1926	Peters	2/171.01
1,602,889	A	*	10/1926	Epstein	2/195.7
1,682,004	A	*	8/1928	Gremen	D2/885
3,082,430	A	*	3/1963	Wagenfeld	2/195.7
4,357,020	A	*	11/1982	Van Bryant, Jr.	2/171.01
D290,061	S	*	6/1987	Fyvolent	D2/885

OTHER PUBLICATIONS

11" White chef hat, www.kingmenu.com (keyword search:
chef hat, search date: Nov. 20, 2003.*

Chef Toque Item#:1300, www.yourchoiceuniforms.com
(keyword search: chef hat, searched date: Nov. 20, 2003.*

* cited by examiner

Primary Examiner—Mimosa De

(74) *Attorney, Agent, or Firm*—Holland & Knight LLP

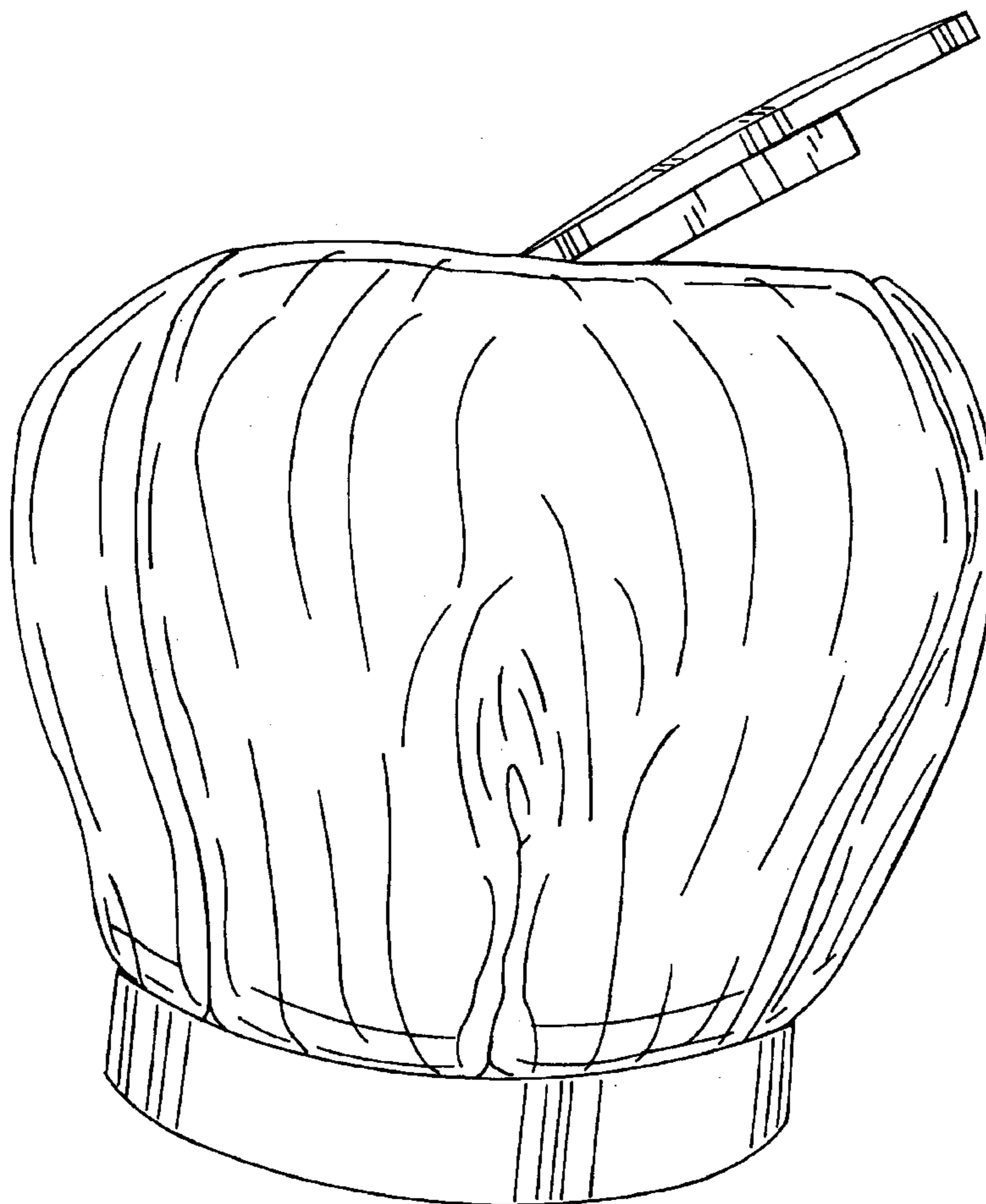
(57) **CLAIM**

The ornamental design of a hat, as shown and described.

DESCRIPTION

FIG. 1 is a perspective view of my new design for a hat;
FIG. 2 is a reduced top, plan view thereof;
FIG. 3 is a reduced bottom, plan view thereof;
FIG. 4 is a reduced front, elevational view thereof;
FIG. 5 is a reduced rear, elevational view thereof;
FIG. 6 is a reduced side, elevational view thereof; and,
FIG. 7 is a reduced side, elevational view taken from the side
opposite that depicted in FIG. 6.

1 Claim, 4 Drawing Sheets



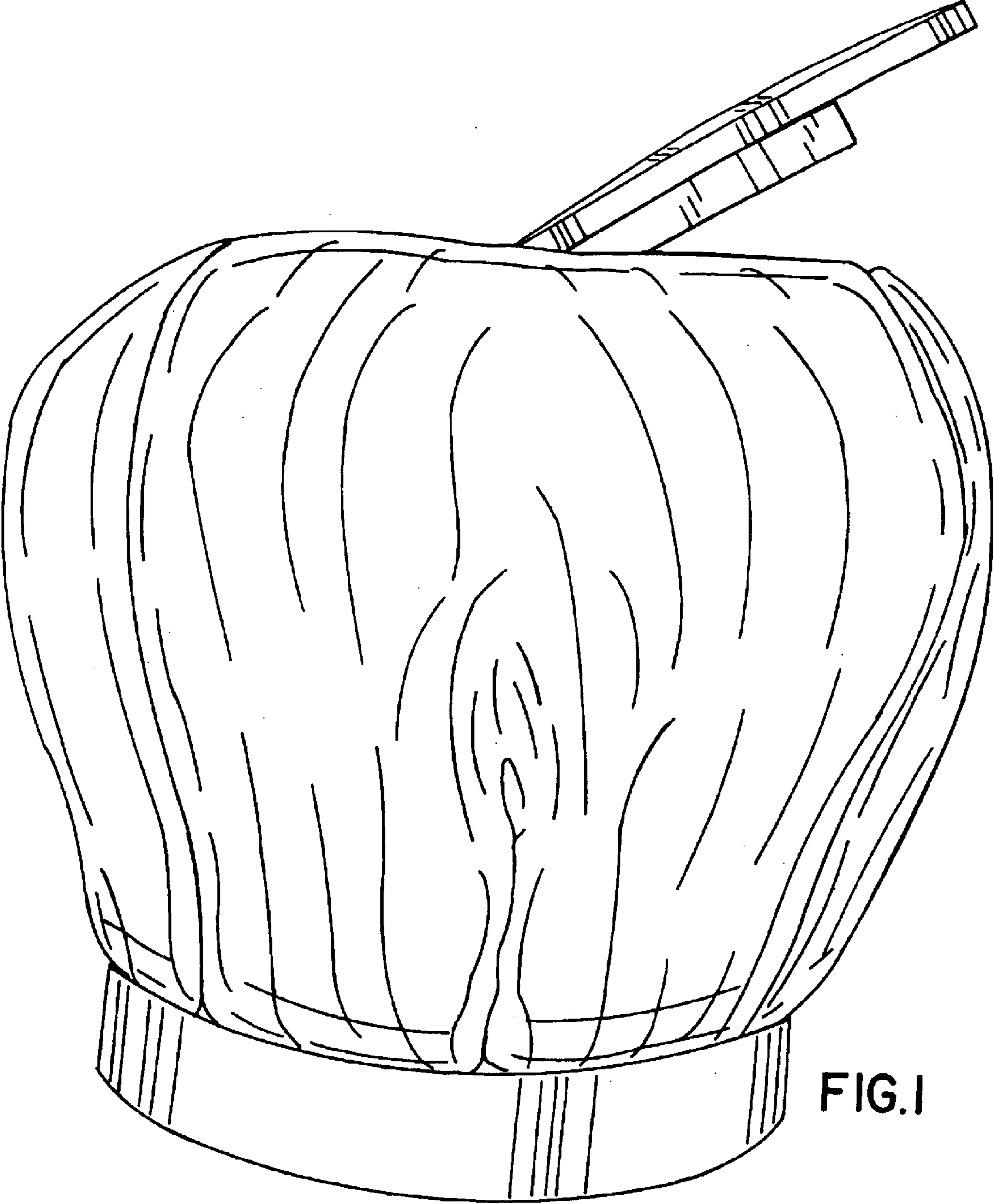


FIG. 1

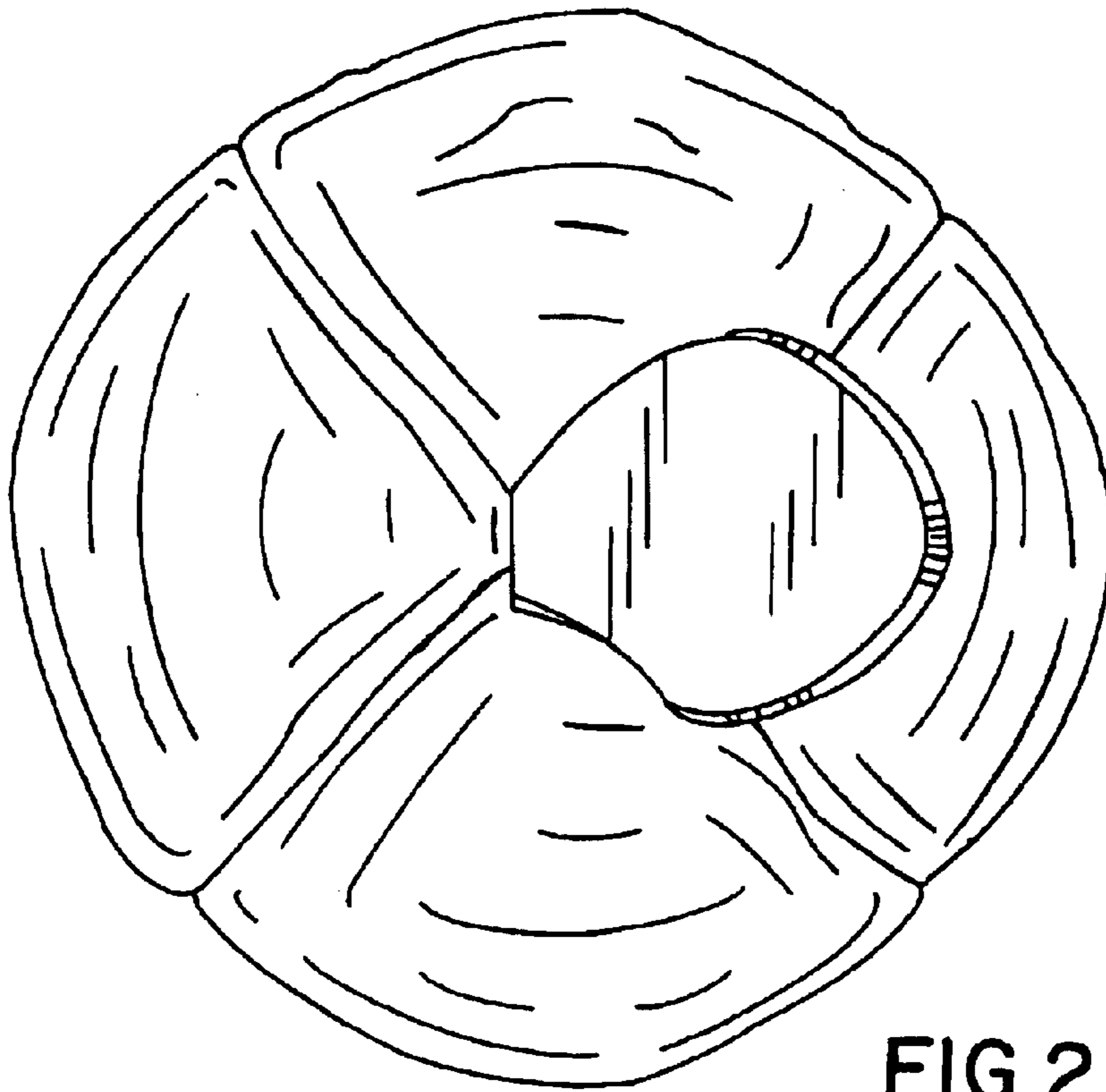


FIG. 2

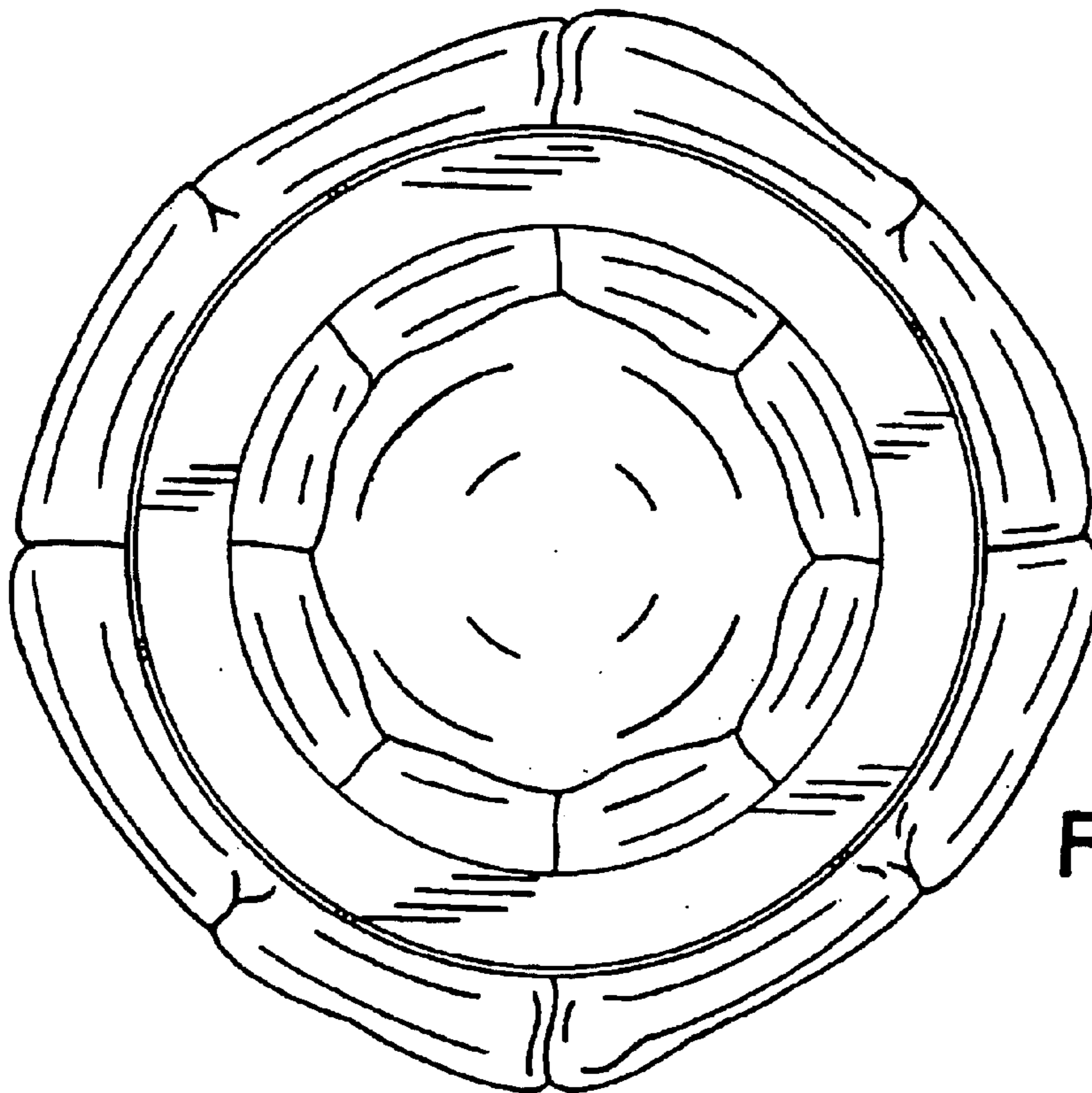


FIG. 3

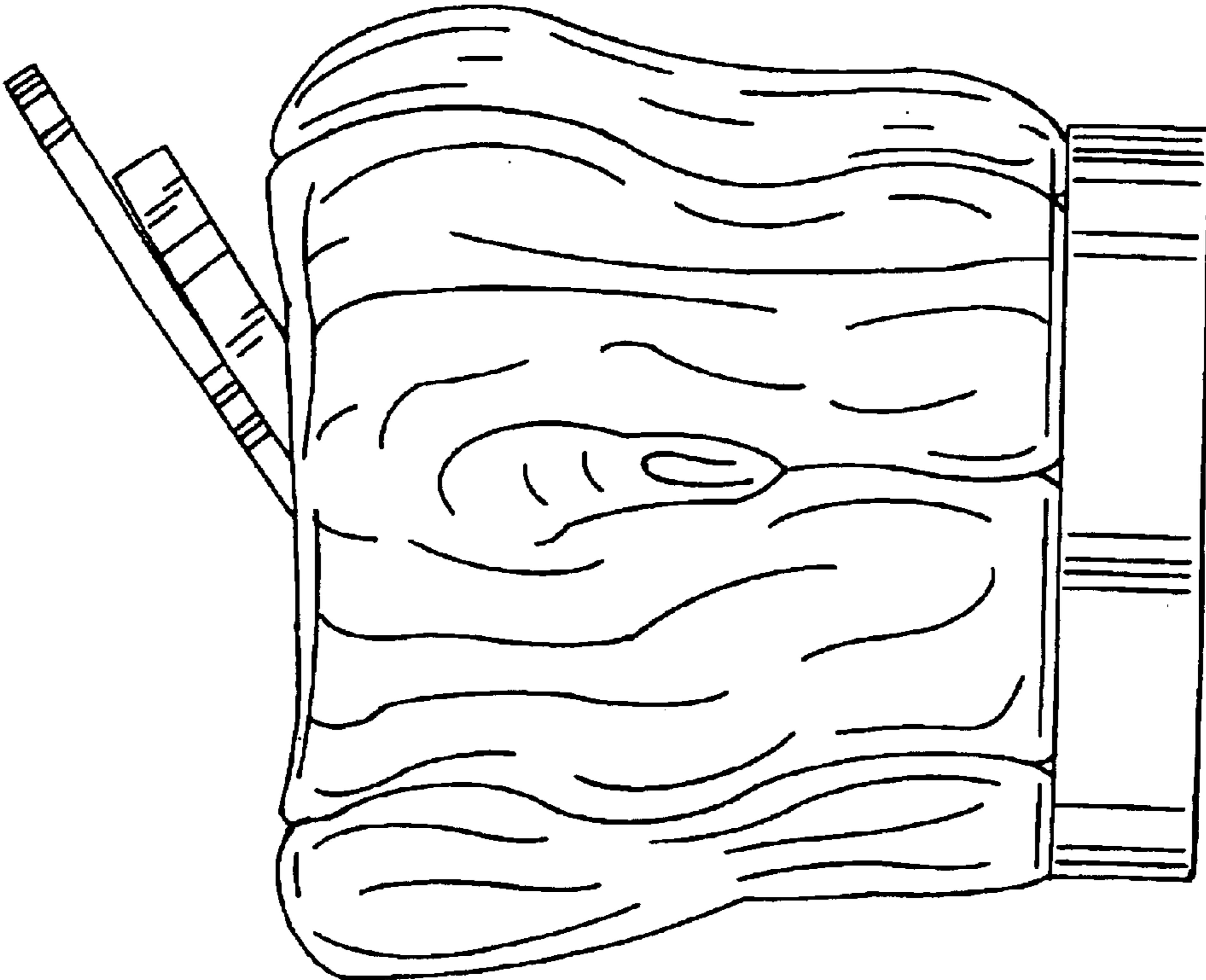


FIG. 4

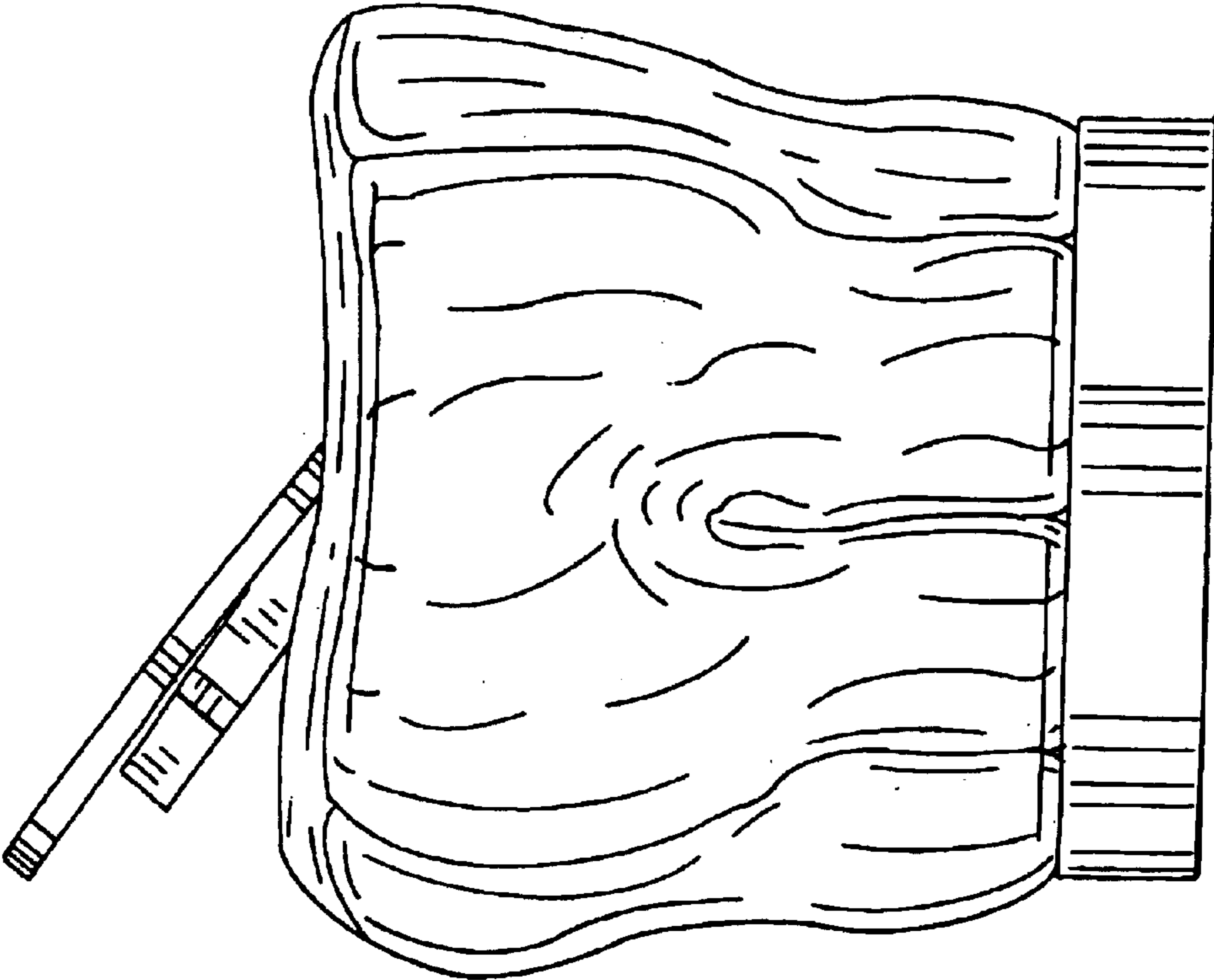


FIG. 5

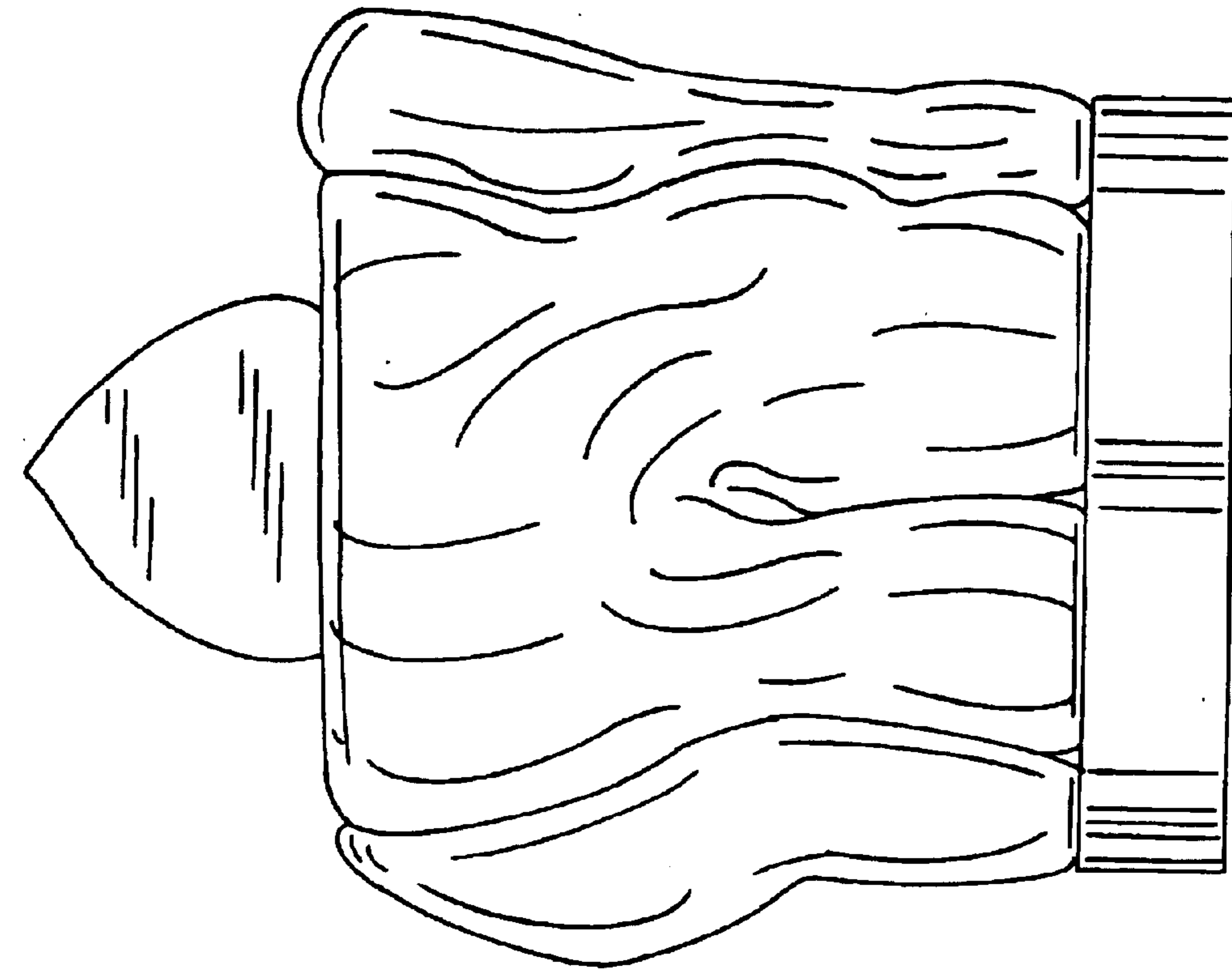


FIG. 6

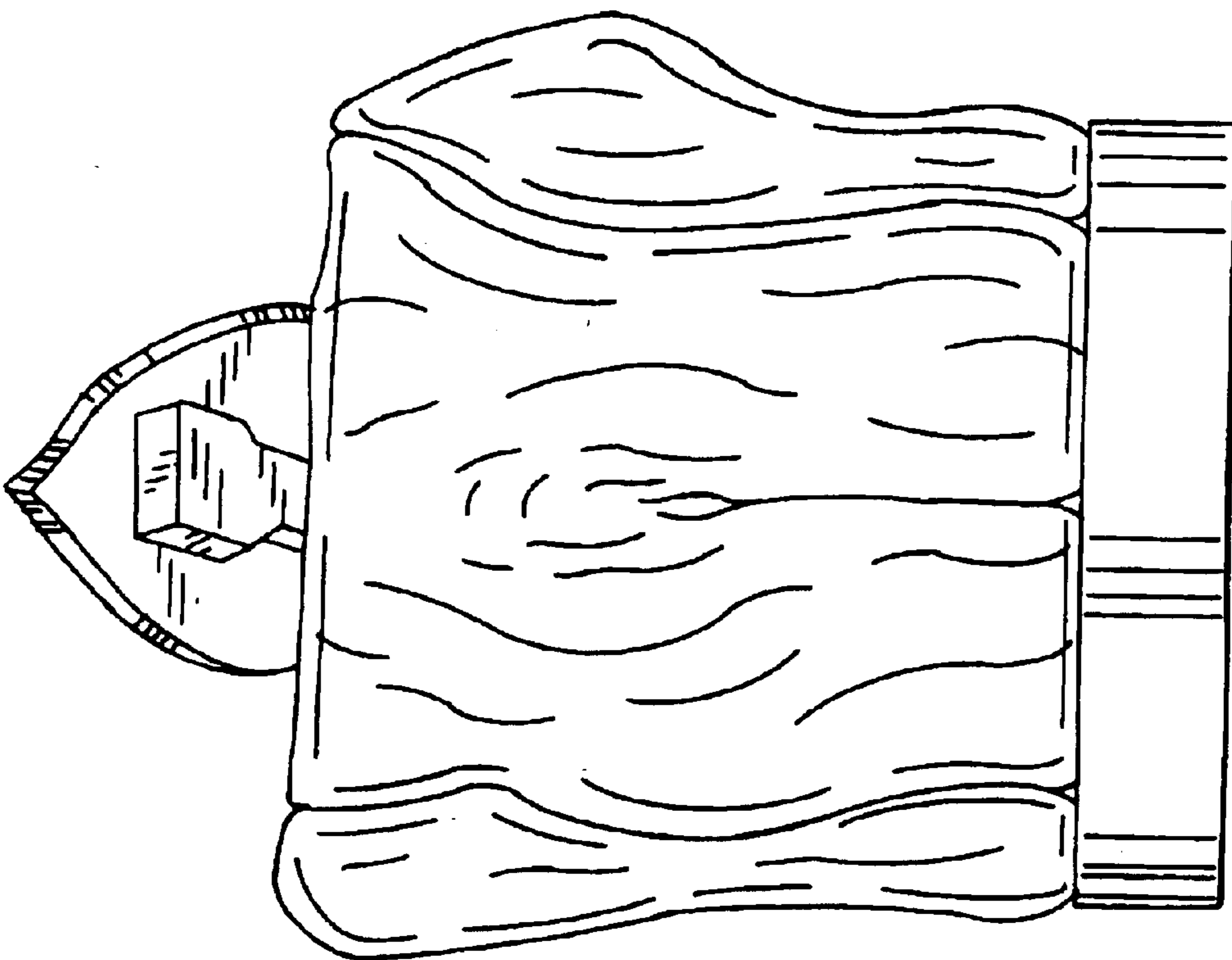


FIG. 7